



US00D942693S

(12) **United States Design Patent** (10) **Patent No.:** **US D942,693 S**
Zeng (45) **Date of Patent:** **** Feb. 1, 2022**

(54) **COSMETIC TUBE**
(71) Applicant: **Lixia Zeng**, Shantou (CN)
(72) Inventor: **Lixia Zeng**, Shantou (CN)
(**) Term: **15 Years**
(21) Appl. No.: **29/752,335**
(22) Filed: **Sep. 26, 2020**
(51) **LOC (13) Cl.** **28-03**
(52) **U.S. Cl.**
USPC **D28/89; D9/529; D9/504; D28/76**
(58) **Field of Classification Search**
USPC **D28/76, 85-90; D9/503-505**
CPC **A45D 34/04; A45D 34/041; A45D 34/042;**
A45D 34/045; A45D 34/046-048; A45D
40/267
See application file for complete search history.

(56) **References Cited**

U.S. PATENT DOCUMENTS

D303,301 S 9/1989 McCreedy
D425,258 S 5/2000 Lang
D467,391 S 12/2002 Orsomando
6,523,548 B2* 2/2003 Bouix A45D 40/265
132/218
D516,251 S 2/2006 Py et al.
D538,481 S 3/2007 Decker
D572,604 S * 7/2008 Garofano D28/77
7,448,393 B2* 11/2008 Beak A45D 34/045
132/218
D585,599 S * 1/2009 Mongeon D28/76
D632,014 S 2/2011 Lee
D639,661 S * 6/2011 Llerena D9/504
D639,663 S * 6/2011 Llerena D9/504
D640,136 S * 6/2011 Liba D9/529
D683,238 S * 5/2013 You D9/688
D703,052 S * 4/2014 Park D9/503
D703,053 S * 4/2014 Park D9/503
D703,061 S * 4/2014 de Lima Paschoal D9/529

D704,065 S * 5/2014 de Lima Paschoal D9/529
D739,084 S * 9/2015 Hall D28/85
9,167,881 B2* 10/2015 Mehta A45D 34/045
D762,010 S 7/2016 Xavier et al.
9,538,829 B2* 1/2017 Chung A45D 34/046
D786,081 S * 5/2017 Albertini D9/522
9,669,965 B2* 6/2017 Kalagher B65D 51/28
D797,377 S 9/2017 Reggiani et al.
D825,336 S * 8/2018 Spurrier D9/500
D845,132 S * 4/2019 Otani D9/503
D851,333 S 6/2019 Nagata
D903,496 S * 12/2020 Burrowes D9/504
10,869,531 B2* 12/2020 Park A45D 34/045
10,980,334 B2* 4/2021 Cho A45D 34/046

(Continued)

OTHER PUBLICATIONS

8ml lip gloss tubes by Caiya, www.amazon.com, 1 page, reviewed as early as Oct. 2, 2020 (Year: 2020).*

Primary Examiner — Jennifer Rivard

(74) *Attorney, Agent, or Firm* — Law Offices of Steven W. Weinrieb

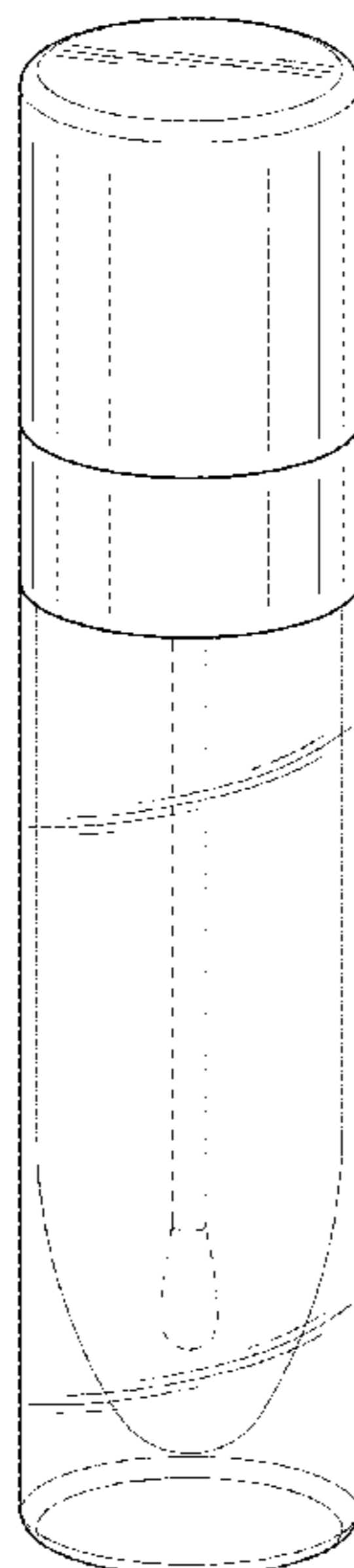
(57) **CLAIM**

The ornamental design for a cosmetic tube, as shown and described.

DESCRIPTION

FIG. 1 is a front, top perspective view of a cosmetic tube showing my new design;
FIG. 2 is a front elevational view thereof;
FIG. 3 is a rear elevational view thereof;
FIG. 4 is a left side elevational view thereof;
FIG. 5 is a right side elevational view thereof;
FIG. 6 is a top plan view thereof; and,
FIG. 7 is a bottom plan view thereof.
The broken lines depict portions of the cosmetic tube that form no part of the claimed design.

1 Claim, 6 Drawing Sheets



(56)

References Cited

U.S. PATENT DOCUMENTS

2004/0018037 A1* 1/2004 Gueret A46D 1/0238
401/126
2014/0147189 A1* 5/2014 Wightman A45D 34/046
401/122
2016/0058155 A1* 3/2016 Maurin A45D 34/04
222/505
2016/0220006 A1* 8/2016 Le A45D 29/18
2021/0212449 A1* 7/2021 Dai A45D 40/264

* cited by examiner

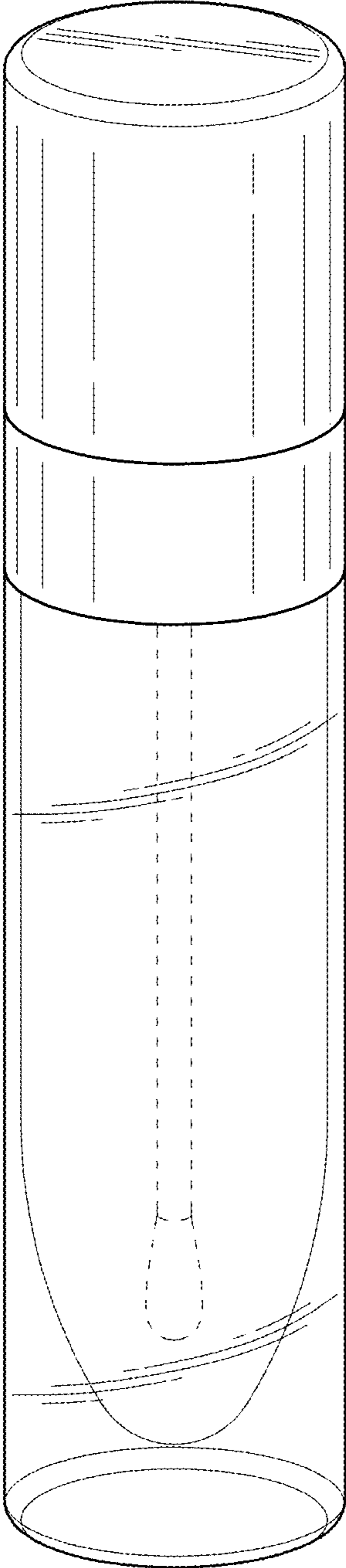


FIG.1

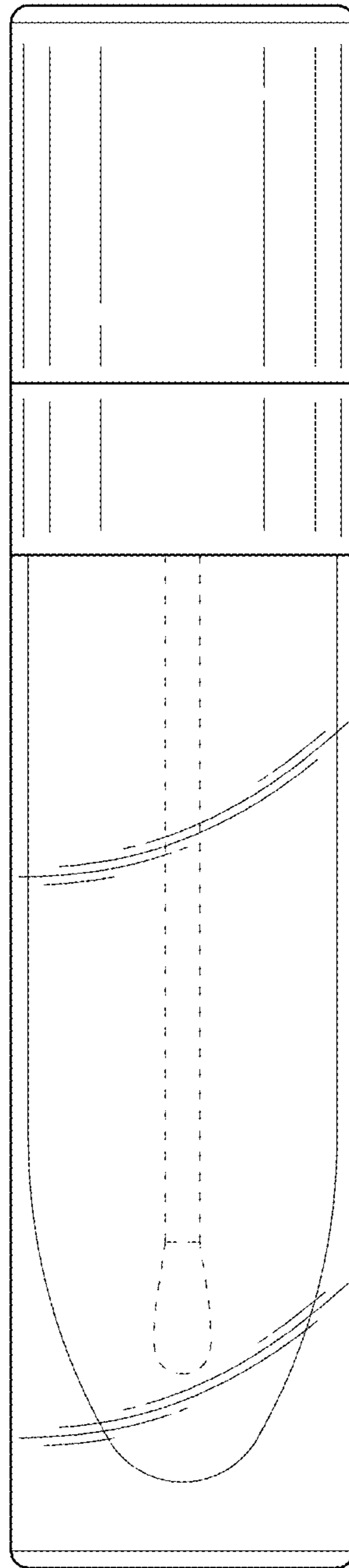


FIG.2

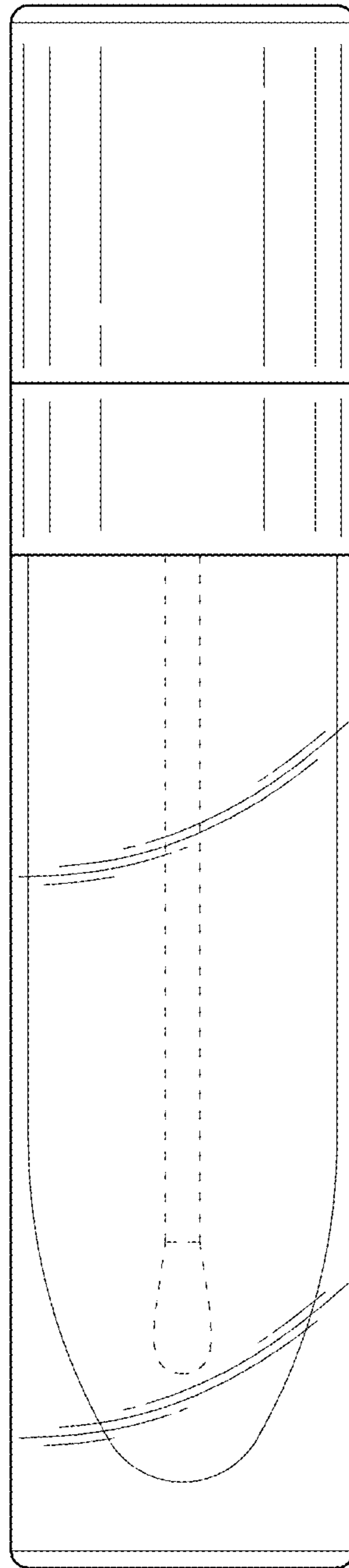


FIG.3

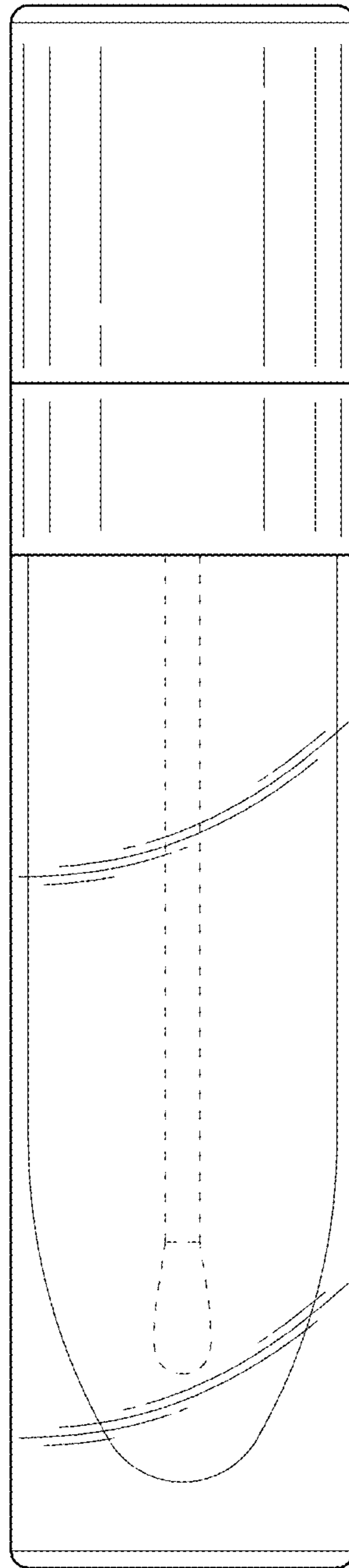


FIG.4

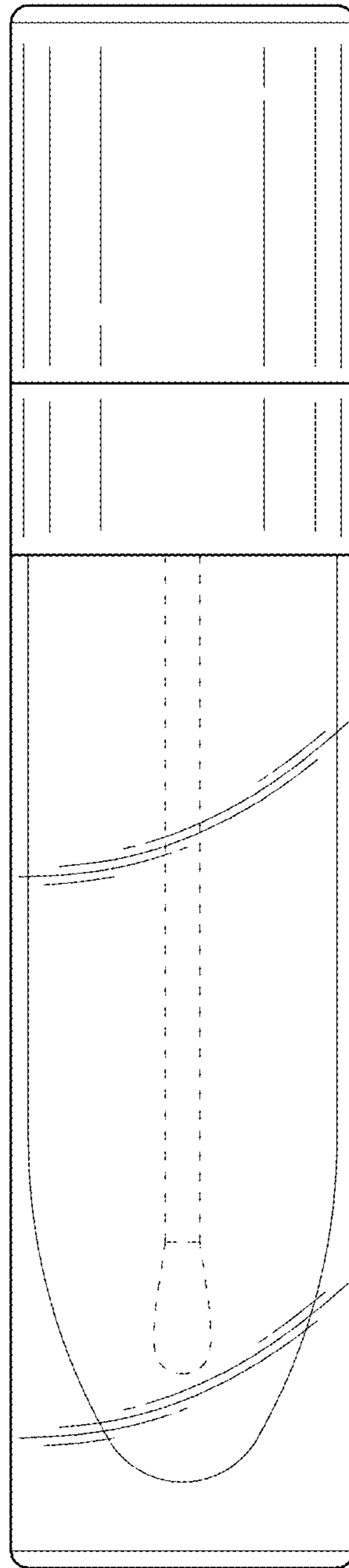


FIG.5

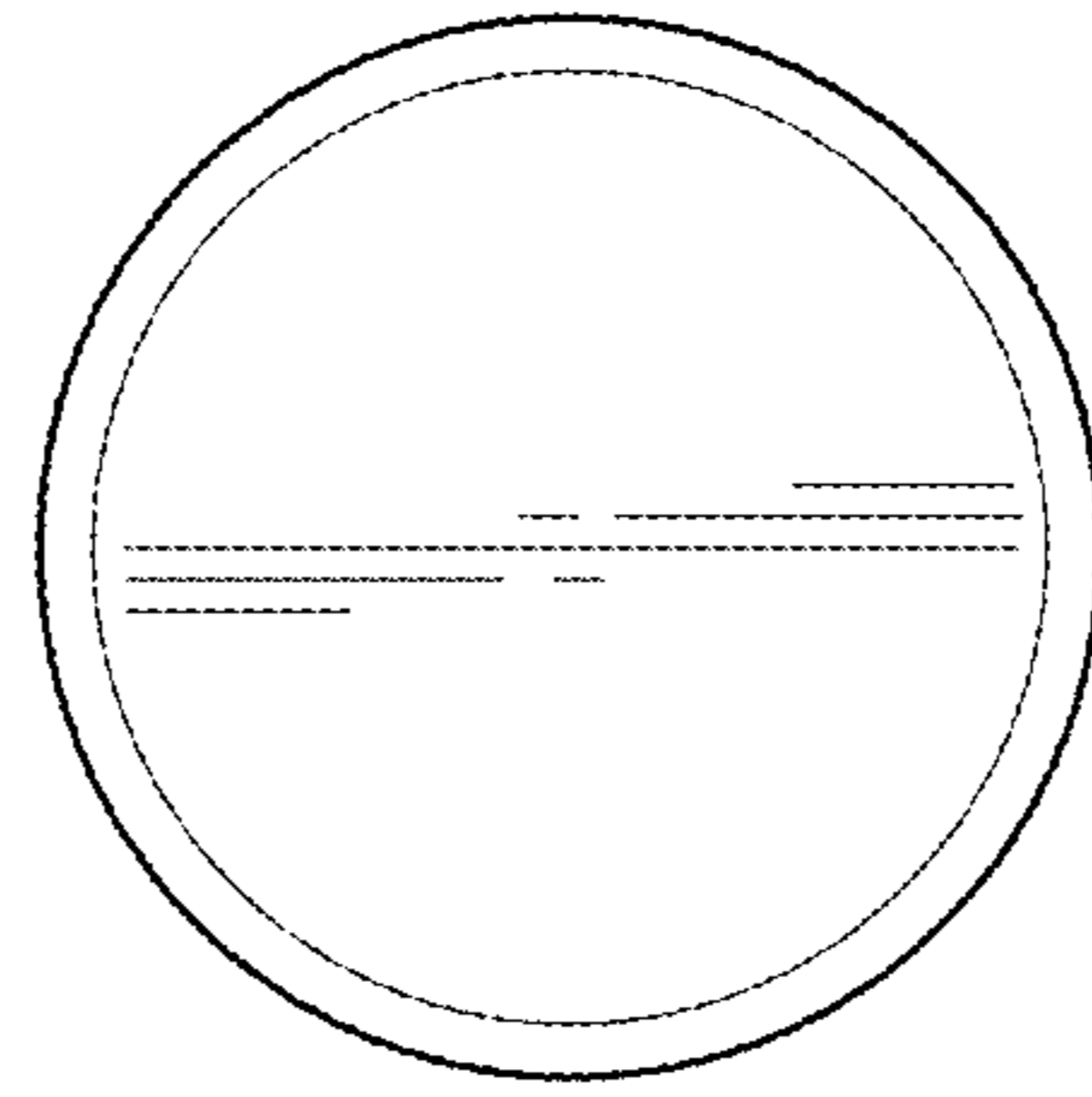


FIG. 6

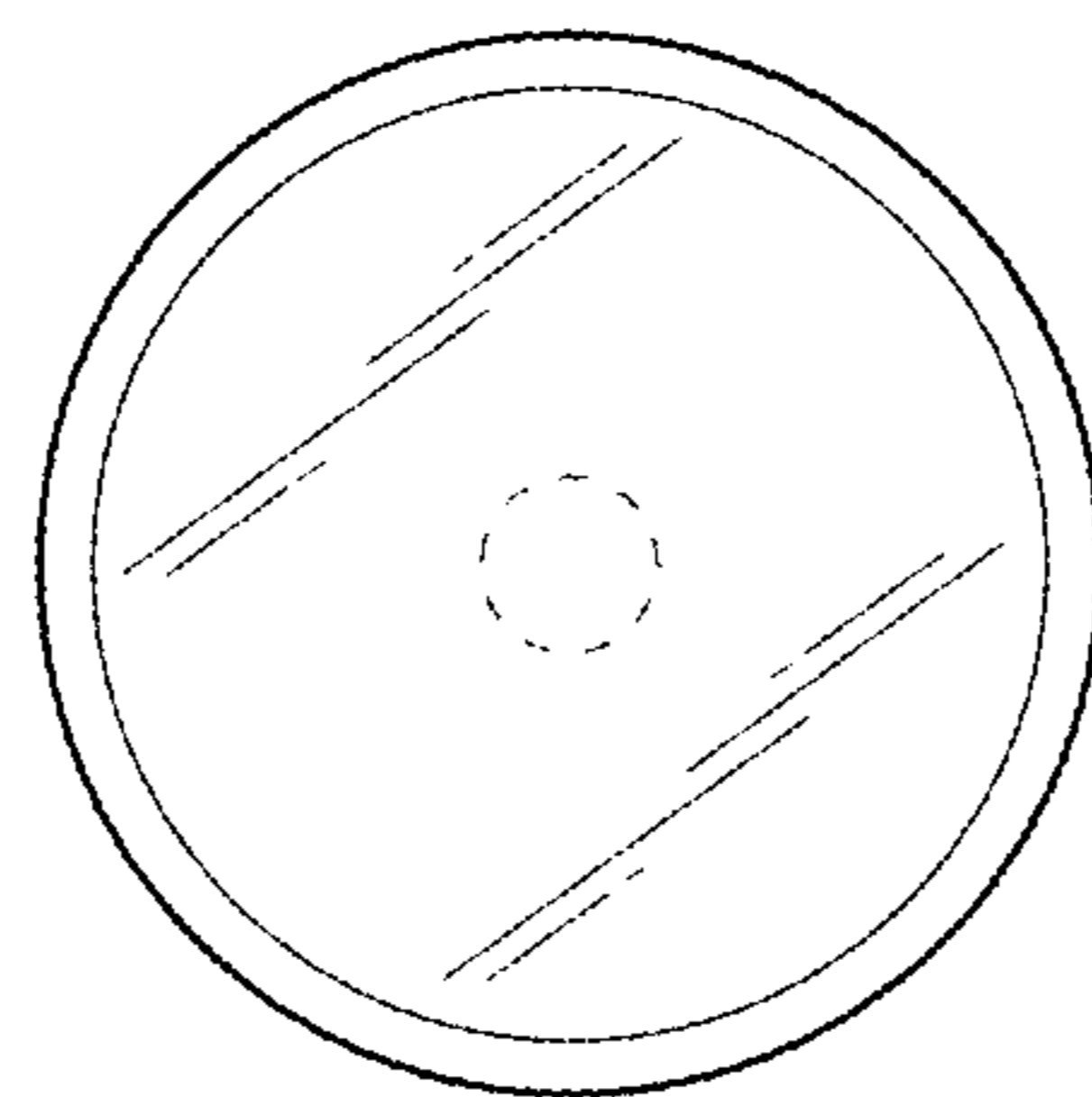


FIG. 7