



US00D942692S

(12) **United States Design Patent** (10) **Patent No.:** **US D942,692 S**  
**Choi et al.** (45) **Date of Patent:** **\*\* \*Feb. 1, 2022**

- (54) **COSMETIC COMPACT**
- (71) Applicant: **ELC MANAGEMENT LLC**, Melville, NY (US)
- (72) Inventors: **Hyung Jin Choi**, New York, NY (US); **Arthur de Grandpré**, Mt. Vernon, NY (US); **Laura Otani**, New York, NY (US)
- (73) Assignee: **ELC Management LLC**, Melville, NY (US)
- (\*) Notice: This patent is subject to a terminal disclaimer.
- (\*\*) Term: **15 Years**
- (21) Appl. No.: **29/739,607**
- (22) Filed: **Jun. 26, 2020**
- (51) **LOC (13) Cl.** ..... **28-03**
- (52) **U.S. Cl.**  
USPC ..... **D28/83**
- (58) **Field of Classification Search**  
USPC .... D28/76-84, 64.1; D9/430-432, 420, 425, D9/426, 503-506; D3/295, 294, 273, D3/274, 275  
CPC .. A45D 33/006; A45D 33/003; A45D 33/025; A45D 33/34; A45D 40/22; A45D 40/222; A45D 40/223; A45D 40/114; A45D 40/24  
See application file for complete search history.

- D491,315 S \* 6/2004 Dittmer ..... D28/83
- D504,743 S \* 5/2005 Kostow ..... D28/78
- D553,799 S \* 10/2007 Williams ..... D28/83
- D579,153 S 10/2008 Lee
- D627,519 S \* 11/2010 DeMarco ..... D28/83
- D655,045 S \* 2/2012 Paschoal ..... D28/83
- D655,865 S \* 3/2012 Villarreal ..... D28/83
- D730,581 S \* 5/2015 Hwang ..... D28/83

(Continued)

**OTHER PUBLICATIONS**

Square Cushion Compact By: Toly found on line May 21, 2021 <https://www.toly.com/news/12359407/tolys-luxurious-magnetic-soft-square-cushion-compact/> (Aug. 11, 2018).\*

(Continued)

*Primary Examiner* — Marissa J Cash  
*Assistant Examiner* — Rebecca Tsehaye  
(74) *Attorney, Agent, or Firm* — Yonggang Wu; Sonsy P. Rajan

(57) **CLAIM**

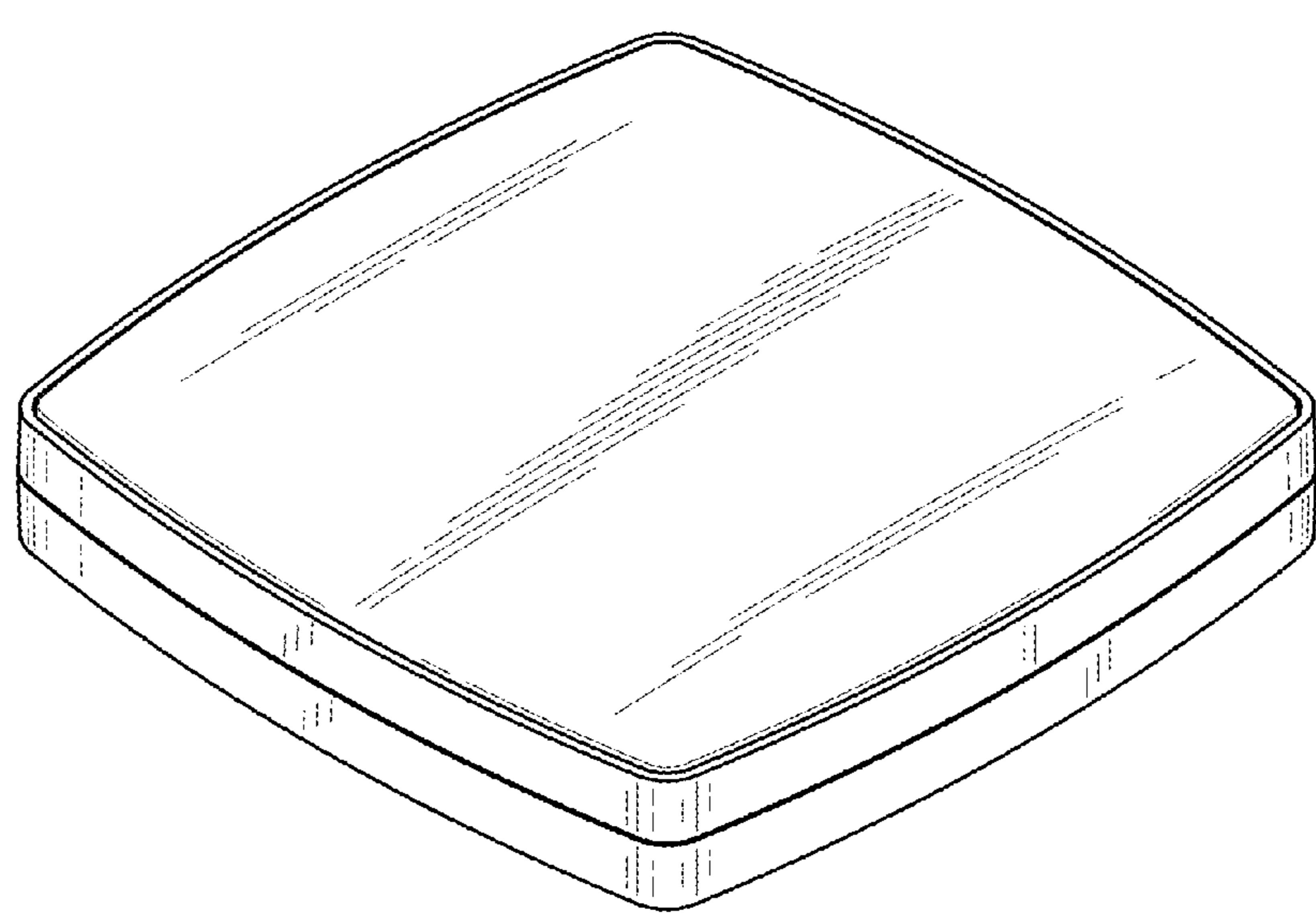
The ornamental design for a cosmetic compact, as shown and described.

**DESCRIPTION**

FIG. 1 is a top front perspective view of a cosmetic compact showing the claimed design;  
FIG. 2 is a bottom perspective view thereof;  
FIG. 3 is a front view thereof;  
FIG. 4 is a rear view thereof;  
FIG. 5 is a left view thereof;  
FIG. 6 is a right view thereof;  
FIG. 7 is a top view thereof;  
FIG. 8 is a bottom view thereof; and,  
FIG. 9 is a top front perspective view of the cosmetic compact of FIG. 1 in an open configuration.  
The broken lines in the figures show portions of the cosmetic compact that form no part of the claimed design.

**1 Claim, 7 Drawing Sheets**

- (56) **References Cited**  
U.S. PATENT DOCUMENTS  
5,638,838 A \* 6/1997 Lombardi ..... A45C 13/005  
132/294  
D401,017 S \* 11/1998 Thorpe ..... D28/78  
D428,210 S \* 7/2000 Gavin ..... D28/83  
D456,954 S \* 5/2002 Restrepo ..... D28/83  
D462,809 S \* 9/2002 LaSpina ..... D28/78  
D478,397 S \* 8/2003 Bakic ..... D28/83



(56)

**References Cited**

## U.S. PATENT DOCUMENTS

D736,468 S \* 8/2015 Goswell ..... D28/83  
D752,813 S 3/2016 Villarreal et al.  
D753,882 S \* 4/2016 Chertoff ..... D28/83  
D821,034 S \* 6/2018 Langdon ..... D28/83  
D835,350 S \* 12/2018 Weinrich ..... D28/83  
D845,551 S \* 4/2019 Weinrich ..... D28/83  
D861,991 S 10/2019 Liston  
D880,071 S \* 3/2020 Weinrich ..... D28/83  
D882,262 S \* 4/2020 Zhang ..... D3/294  
D884,974 S \* 5/2020 Kim ..... D28/83

## OTHER PUBLICATIONS

Cosmetic Compact by: Sister Cosmetics Packaging Co. Ltd. found online Apr. 19, 2020 <https://www.sisterpackaging.com/product/2020-empty-cosmetic-compact/?portfolioCats=30> (2020).

Refillable Makeup Compact By: Make up for Ever found online May 21, 2021 <https://www.google.com/shopping/product/9981187547004079174?q=rectangular+cosmetic+compact&safe=active&ifsig=9/20/2022>.

Silver Powder Cosmetic Compact By: DartSilver LTD found online Apr. 26, 2021 <https://dartsilverltd.co.uk/product/silver-powder-cosmetic-compact-polish-krupski-matulewicz-c-1930s/>.

Taiwanese search report from counterpart TW application 109307249.

Taiwanese search report from counterpart TW application 109307250.

Taiwanese search report from counterpart TW application 109307252.

Taiwanese search report from counterpart TW application 109307253.

U.S. Appl. No. 29/739,596, filed Jun. 26, 2020, Choi et al.

U.S. Appl. No. 29/739,600, filed Jun. 26, 2020, Choi et al.

\* cited by examiner

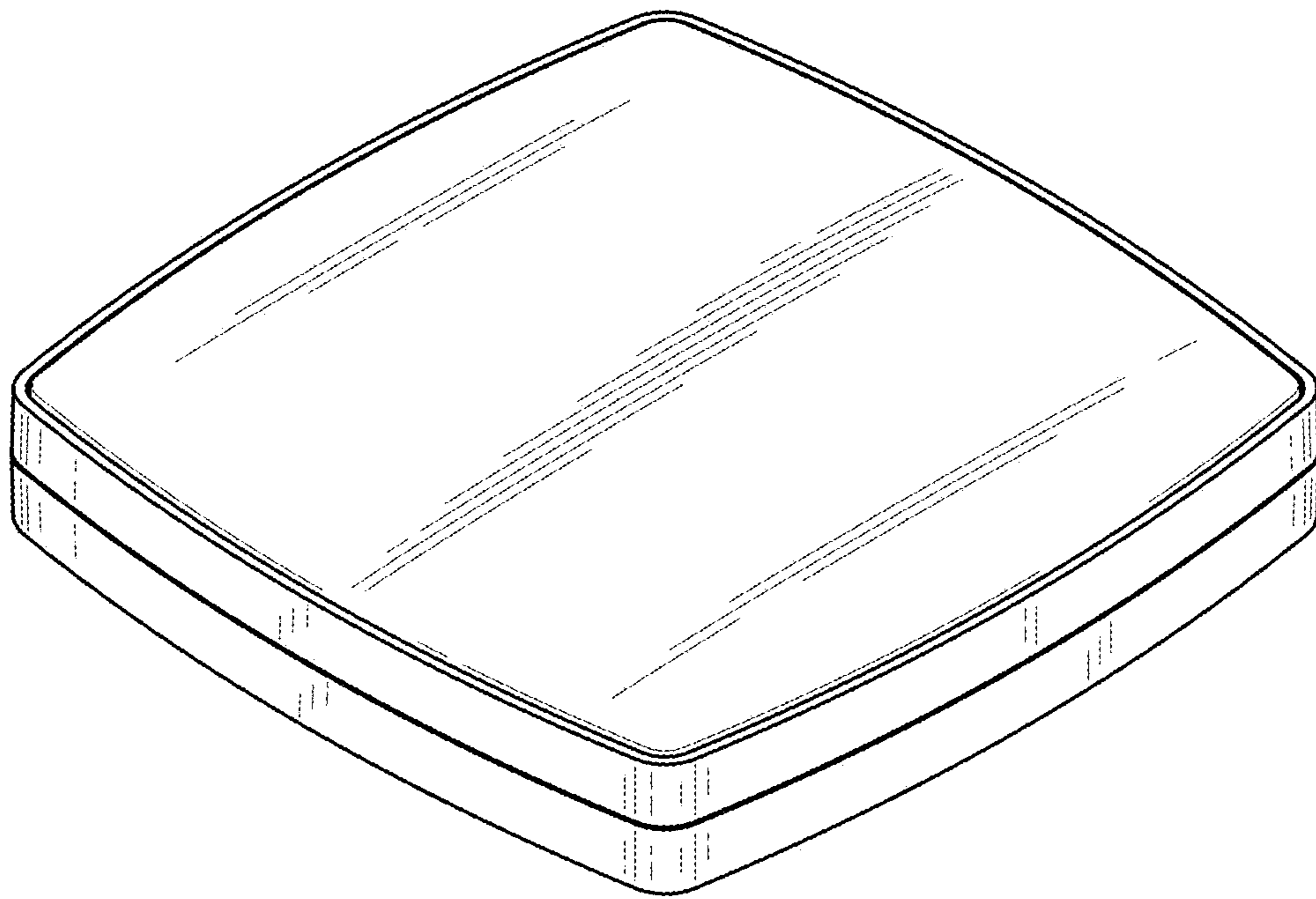


FIG. 1

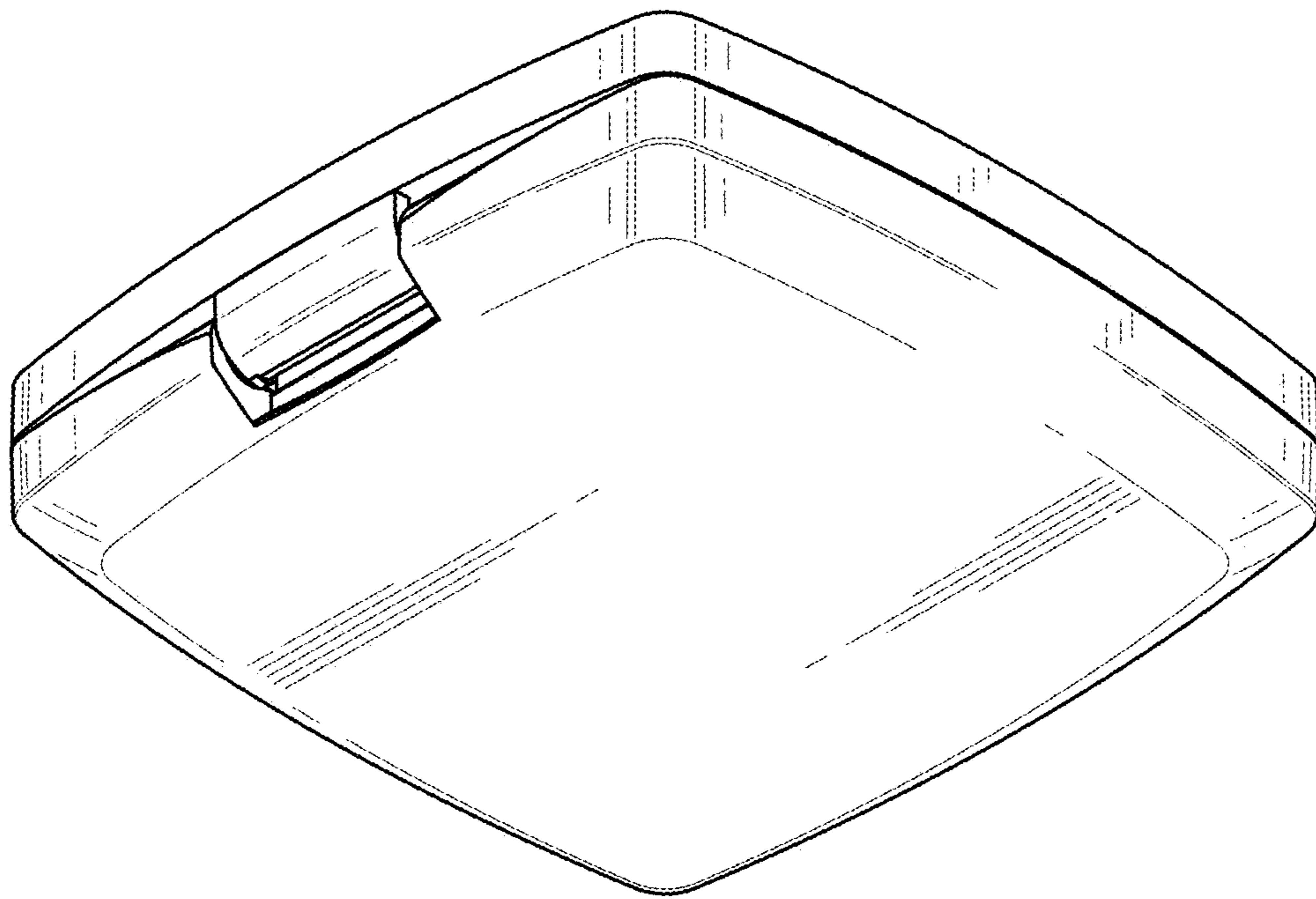


FIG. 2

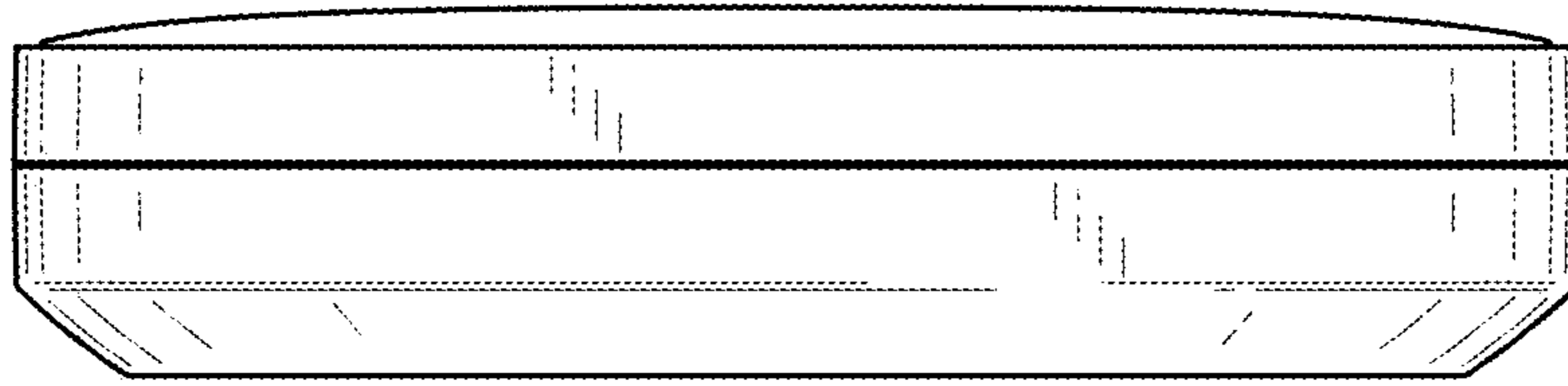


FIG. 3

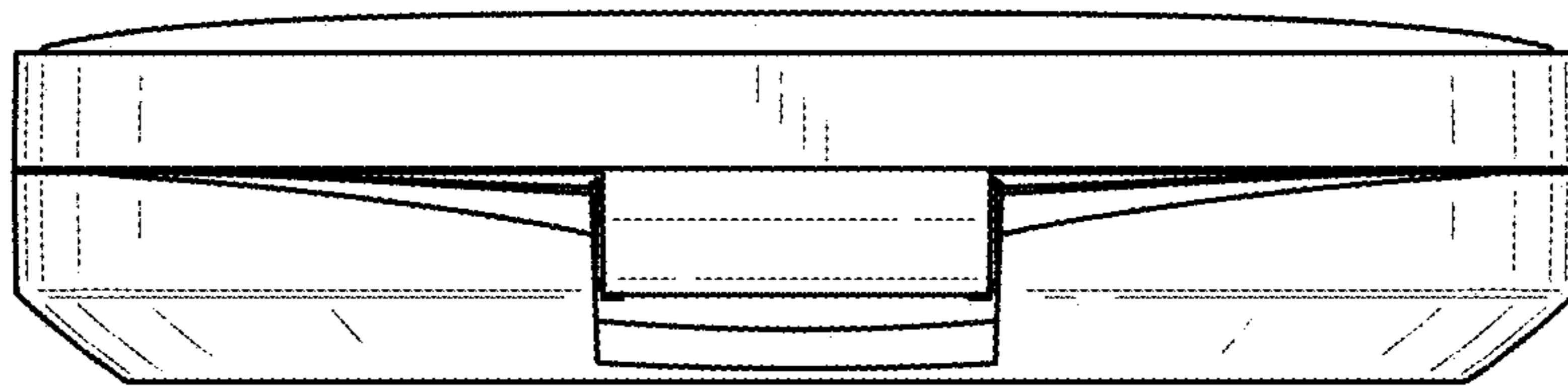


FIG. 4

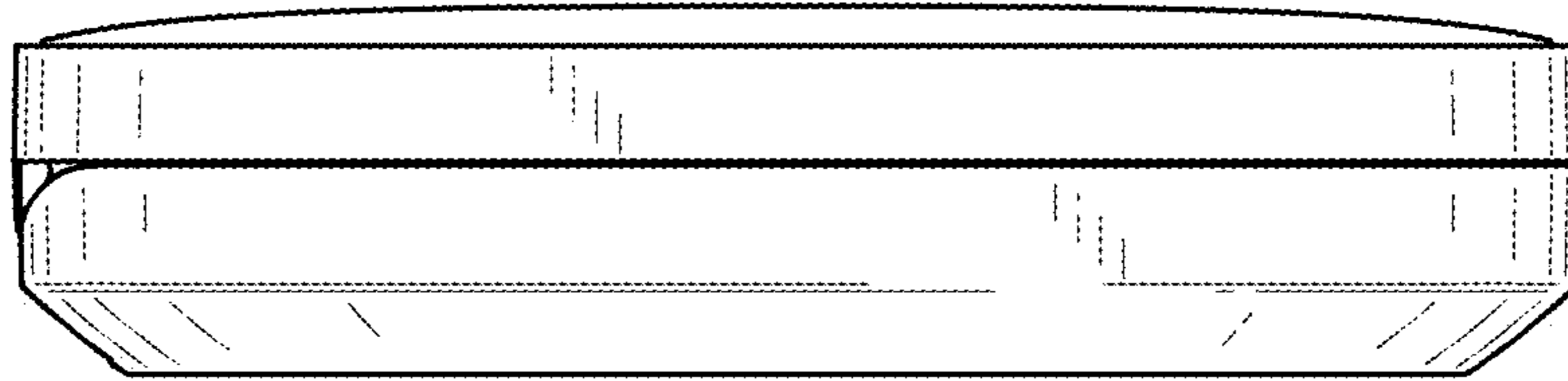


FIG. 5

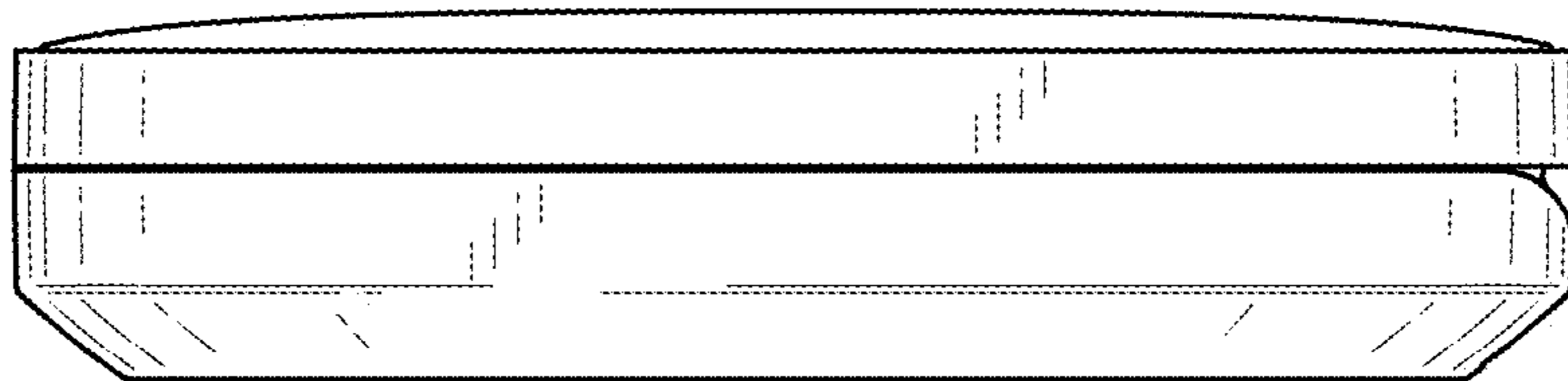


FIG. 6

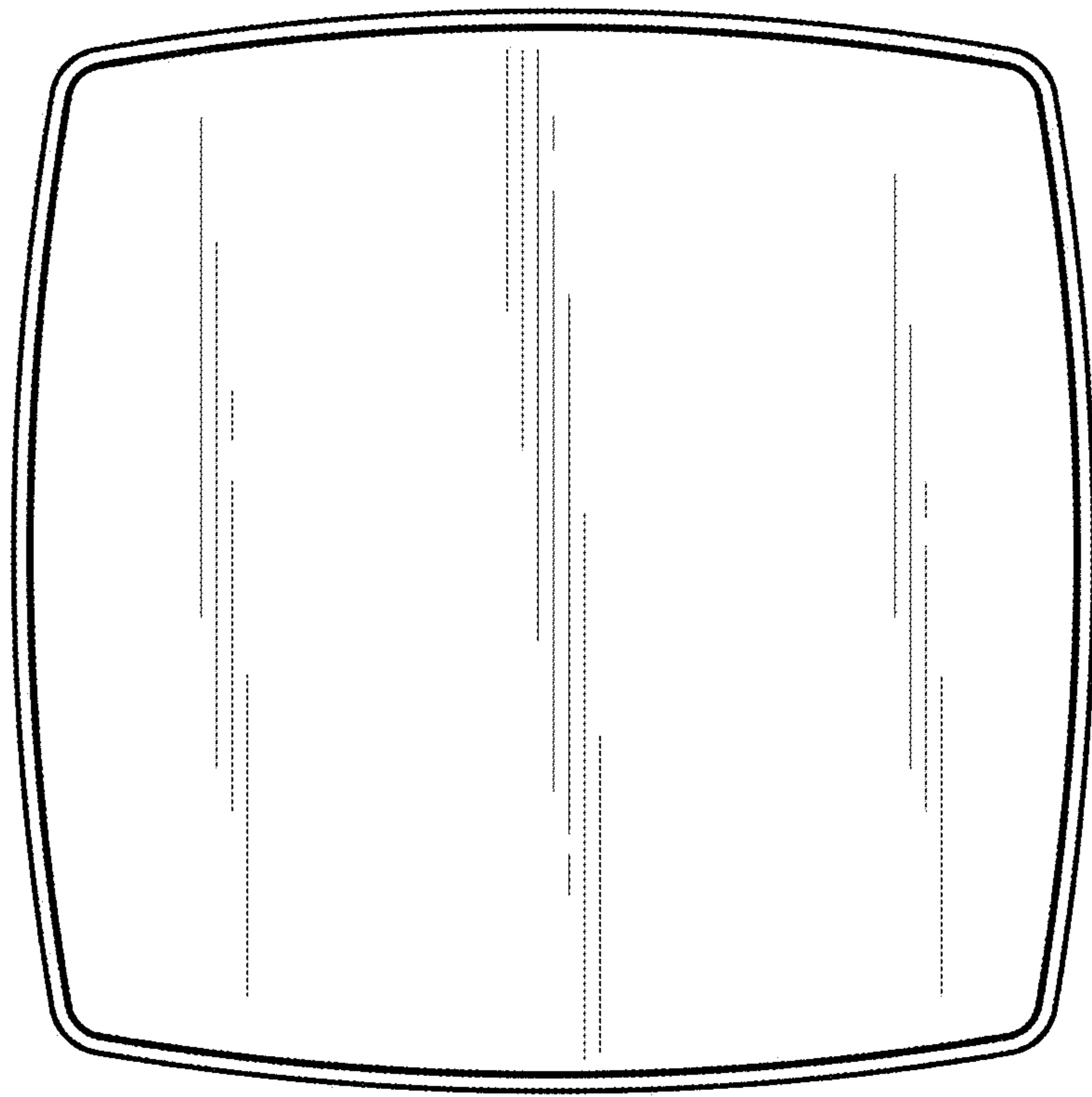


FIG. 7

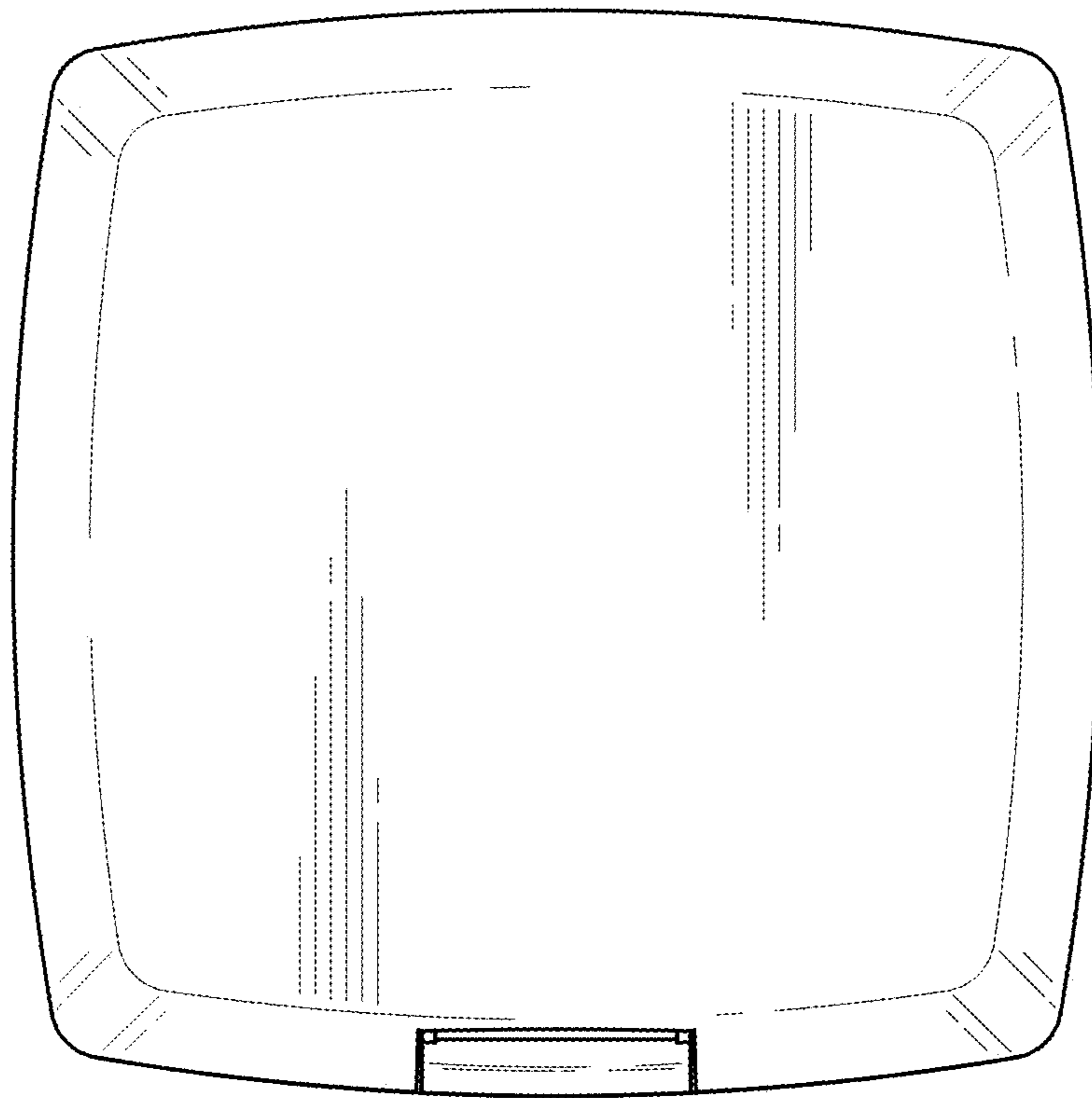


FIG. 8



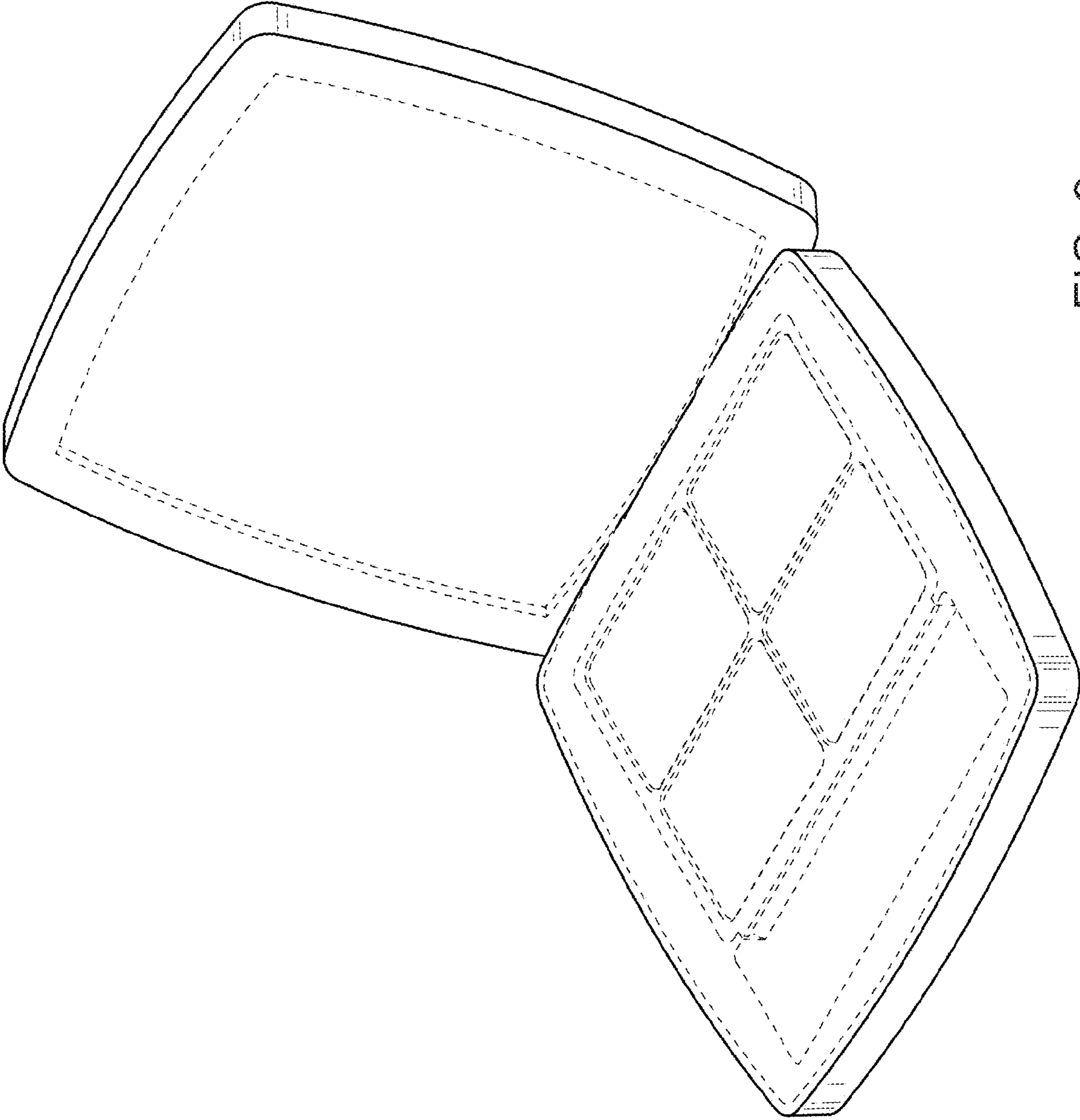


FIG. 9