



US00D942691S

(12) **United States Design Patent** (10) **Patent No.:** **US D942,691 S**  
**Jiao** (45) **Date of Patent:** **\*\* Feb. 1, 2022**

(54) **CAPSULE-SHAPED STORAGE CASE**

FOREIGN PATENT DOCUMENTS

(71) Applicant: **JIANGMEN QUEEN COSMETIC ACCESSORY CO., LTD**, Guangdong (CN)

CN 305137778 \* 5/2019  
CN 305288186 \* 8/2019

(Continued)

(72) Inventor: **Qian Jiao**, Guangdong (CN)

OTHER PUBLICATIONS

(73) Assignee: **JIANGMEN QUEEN COSMETIC ACCESSORY CO., LTD**, Jiangmen (CN)

TasteTasty IPC Beauty Sponge Storage Box, unknown first available date, thaiproaz.com [online], [site visited Apr. 19, 2021], Available at internet URL: <https://thaiproaz.com/product/tastetasty-ipc-beauty-sponge-storage-box-puff-drying-holder-mildew-proof-cosmetic-puff-case-s193617841-p7082404282.html> (Year: 2021).\*

(Continued)

(\*\*) Term: **15 Years**

(21) Appl. No.: **29/718,495**

(22) Filed: **Dec. 24, 2019**

*Primary Examiner* — Jeffrey D Asch  
*Assistant Examiner* — Caitlin A Laverty

(30) **Foreign Application Priority Data**

Aug. 7, 2019 (CN) ..... 201930427162.7

(51) **LOC (13) Cl.** ..... **28-03**

(52) **U.S. Cl.**  
USPC ..... **D28/73; D3/291**

(58) **Field of Classification Search**

USPC ... D3/203.1–203.8, 205–206, 215, 219, 226, D3/247, 250–252, 263–266, 273, D3/293–294, 298–299, 301, 303, 315, D3/901; D6/515, 517, 534, 536; D7/600.1, 600.4, 637; D9/734, 759–760; D19/101–103, 106, 194–195; D27/172, D27/180, 183, 186, 189–191; D28/73, D28/76, 85–86, 91; D11/121

CPC .. A24F 9/16; A24F 13/14; A24F 15/00; A24F 15/12; A24F 15/14; A24F 15/18; A24F 15/20; A24F 23/00; A24F 23/04;

(Continued)

(56) **References Cited**

U.S. PATENT DOCUMENTS

D334,726 S \* 4/1993 Homsher ..... D11/121  
D373,552 S \* 9/1996 Lownsbury ..... D11/121

(Continued)

(57) **CLAIM**

The ornamental design for a capsule-shaped storage case, as shown and described.

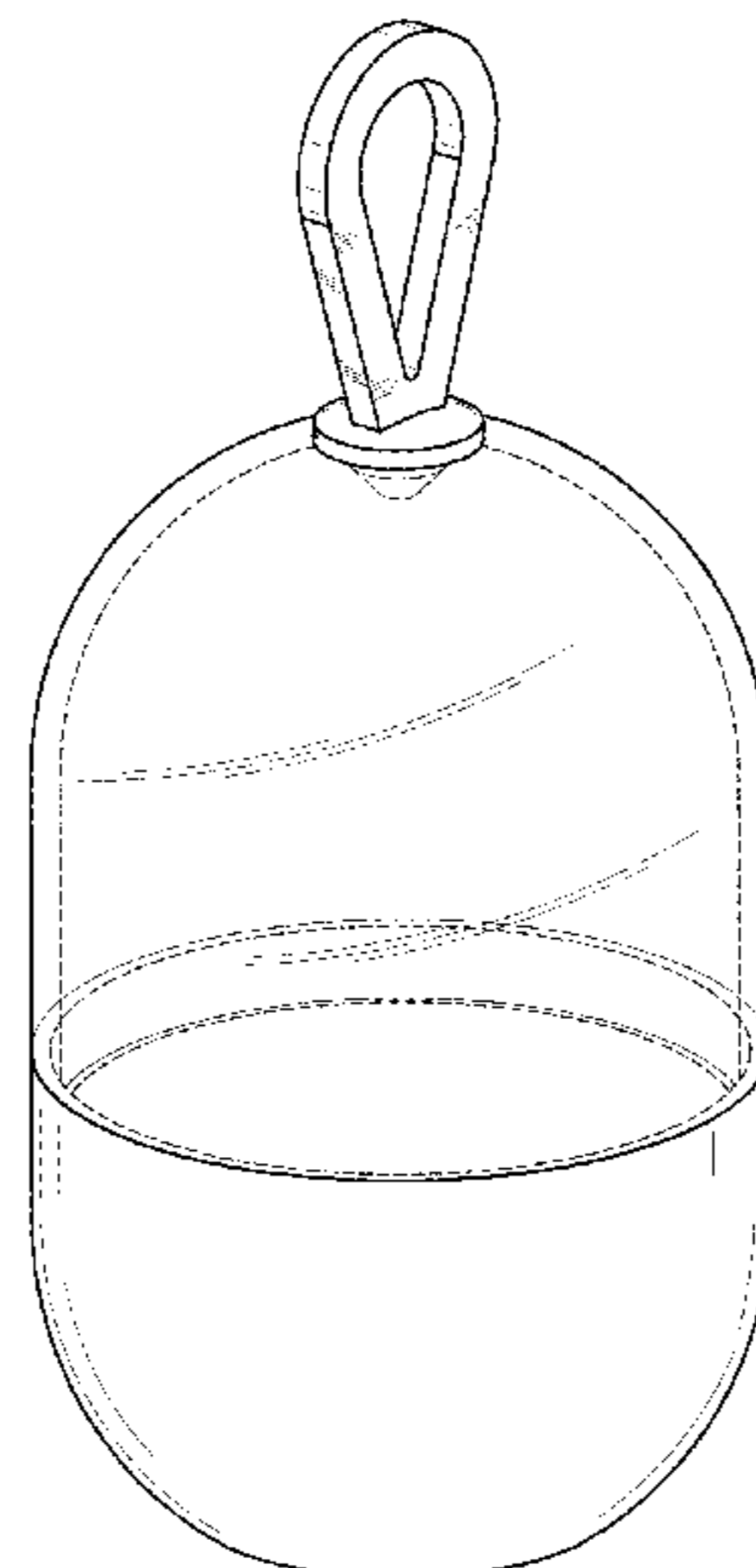
**DESCRIPTION**

FIG. 1 is a front elevational view of a capsule-shaped storage case showing my new design; FIG. 2 is a rear elevational view thereof; FIG. 3 is a left side view thereof; FIG. 4 is a right side view thereof; FIG. 5 is a top plan view thereof; FIG. 6 is a bottom plan view thereof; FIG. 7 is a top perspective view thereof; and, FIG. 8 is a top perspective view showing the capsule-shaped storage case in an exploded state.

The broken lines in the drawings illustrate portions of the capsule-shaped storage case which form no part of the claimed design.

The article is comprised of two halves wherein the bottom half is fully part of the claimed design.

**1 Claim, 7 Drawing Sheets**



(58) **Field of Classification Search**

CPC ..... A24F 47/002; A24F 47/008; A45C 3/00;  
 A45C 5/00; A45C 5/005; A45C 5/04;  
 A45C 7/00; A45C 9/00; A45C 11/00;  
 A45C 11/008; A45C 11/04; A45C 11/16;  
 A45C 11/24; A45C 11/26; A45C 11/34;  
 A45C 11/36; A45C 13/002; A45C  
 2011/007; A45D 33/12; A45D 33/14;  
 A45D 33/22; A45D 33/24; A45D 33/26;  
 A45D 33/28; A45D 34/00; A45D 34/04;  
 A45D 34/041; A45D 34/06; A45D 40/00;  
 A45D 40/18; A45D 40/26; A45D 40/261;  
 A45D 40/262; A45D 44/11; A45D 44/18;  
 A47F 7/02; A47F 7/021; A61J 1/00; A61J  
 1/03; A61J 7/04; A61J 7/0084; B65D  
 1/36; B65D 43/16; B65D 50/04; B65D  
 83/04; B65D 83/0445; B65D 83/0481;  
 B65D 85/00; B65D 85/02; B65D 85/10

See application file for complete search history.

(56) **References Cited**

U.S. PATENT DOCUMENTS

D384,824 S \* 10/1997 Johnson ..... D11/121  
 D433,799 S \* 11/2000 Weinstock ..... D3/215  
 D459,550 S \* 6/2002 Ng ..... D28/73  
 D525,426 S \* 7/2006 Raile ..... D3/263  
 D525,427 S \* 7/2006 Raile ..... D3/263  
 D532,935 S \* 11/2006 Kostow ..... D28/76  
 D550,074 S \* 9/2007 Lam ..... D3/206  
 D638,475 S \* 5/2011 Hung ..... D19/85  
 D713,265 S \* 9/2014 Cooper ..... D9/721  
 D742,593 S \* 11/2015 Corey ..... D28/85  
 D750,885 S \* 3/2016 Chazel ..... D3/203.2  
 D761,022 S \* 7/2016 Wang ..... D3/293  
 D789,241 S \* 6/2017 Cao ..... D11/121  
 D842,111 S \* 3/2019 Delia ..... D9/504  
 D866,864 S \* 11/2019 Silva ..... D28/76  
 D868,467 S \* 12/2019 Feng ..... D3/297

D874,126 S \* 2/2020 Peters ..... D3/201  
 D884,282 S \* 5/2020 Jung ..... D28/76  
 D930,906 S \* 9/2021 Jung ..... D28/76  
 D932,104 S \* 9/2021 Fornarelli ..... D28/85  
 D934,079 S \* 10/2021 Hatton ..... D9/529  
 2017/0013935 A1 \* 1/2017 Schlatter ..... A45D 40/00  
 2017/0102183 A1 \* 4/2017 Palmer ..... F26B 21/12  
 2018/0027947 A1 \* 2/2018 Quenessen ..... A45D 40/00  
 2018/0255906 A1 \* 9/2018 Delia ..... A45D 40/00  
 2019/0263557 A1 \* 8/2019 Kulman ..... B65D 65/466  
 2020/0046103 A1 \* 2/2020 Silva ..... A45D 40/26  
 2021/0039813 A1 \* 2/2021 Kim ..... A61J 3/074  
 2021/0125480 A1 \* 4/2021 Marques ..... G16H 20/10  
 2021/0154095 A1 \* 5/2021 Croisdale ..... A61J 1/03

FOREIGN PATENT DOCUMENTS

CN 5953588 \* 7/2020  
 KR 300982310.0000 \* 11/2018

OTHER PUBLICATIONS

Makeup Sponge Travel Case & Stand, first available Dec. 9, 2020 based on customer photo review, amazon.com [online], [site visited Apr. 19, 2021], Available at internet URL: <https://www.amazon.com/Makeup-Sponge-Travel-Case-Stand/dp/B08CY1VR6W?th=1> (Year: 2020).\*

BEZOX Makeup Sponge Holder, unknown first available date, amazon.com [online], [site visited Apr. 19, 2021], Available at internet URL: [https://www.amazon.com/BEZOX-Cosmetic-Silicone-Protective-Container/dp/B07YC1F542/ref=pd\\_vtp\\_2?pd\\_rd\\_w=bZK9M&pf\\_rd\\_p=016e3697-91be-4dc2-9533-ef9350e7e73d&pf\\_rd\\_r=SVCX4RRXAVF7Z7M74SD1&pd\\_rd\\_r=205e1111-2870-45d9-8eb8-7eaaada28378&pd\\_rd\\_wg=TF8u0&pd\\_rd\\_i=B07YC1F542&th=1](https://www.amazon.com/BEZOX-Cosmetic-Silicone-Protective-Container/dp/B07YC1F542/ref=pd_vtp_2?pd_rd_w=bZK9M&pf_rd_p=016e3697-91be-4dc2-9533-ef9350e7e73d&pf_rd_r=SVCX4RRXAVF7Z7M74SD1&pd_rd_r=205e1111-2870-45d9-8eb8-7eaaada28378&pd_rd_wg=TF8u0&pd_rd_i=B07YC1F542&th=1) (Year: 2021).\*

1 pcs Sponge Stand Breathable Storage Case Egg Shaped . . . , unknown first available date, aliexpress.com [online], [site visited Jul. 16, 2021], Available at internet URL: <https://www.aliexpress.com/item/4001138581729.html> (Year: 2021).\*

\* cited by examiner

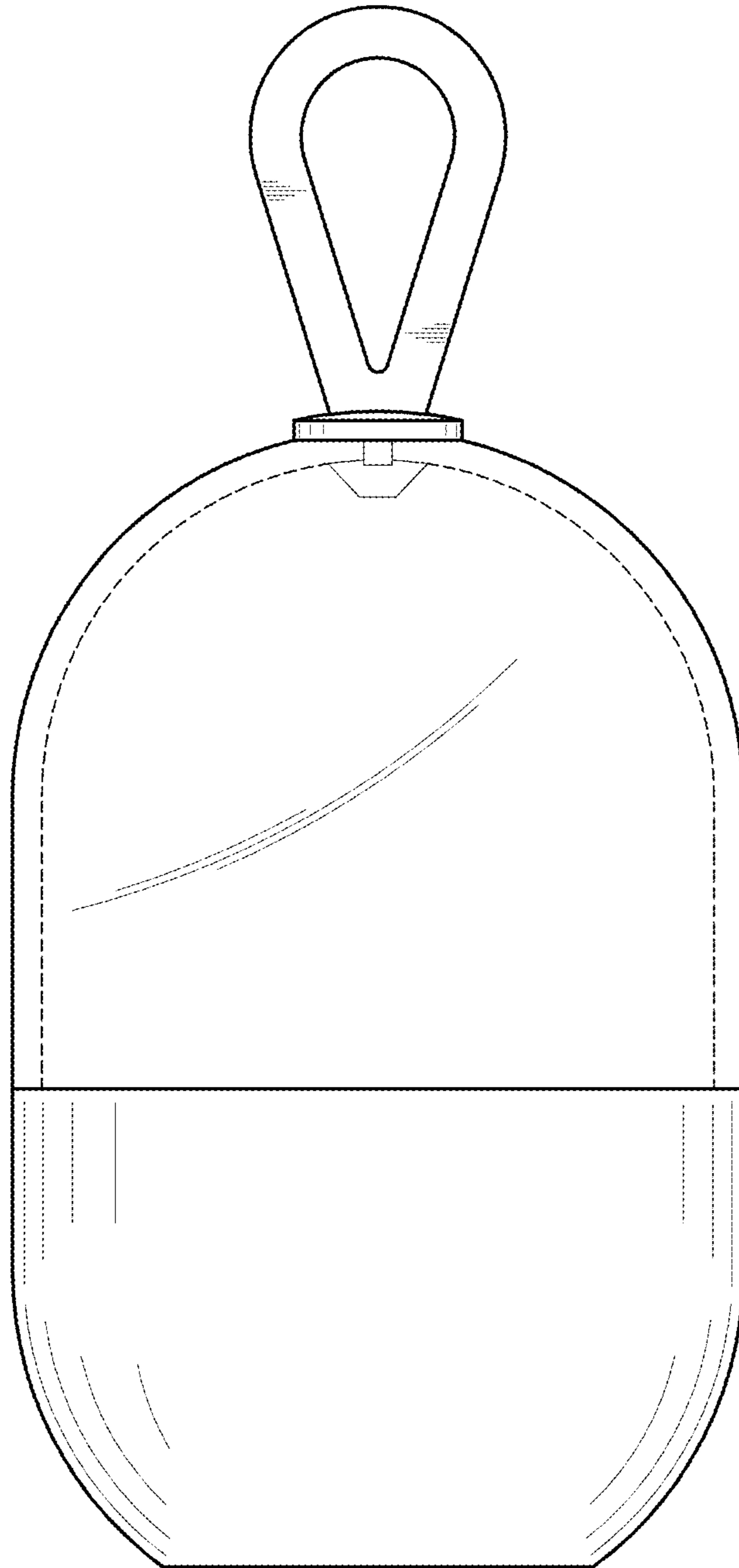


FIG. 1

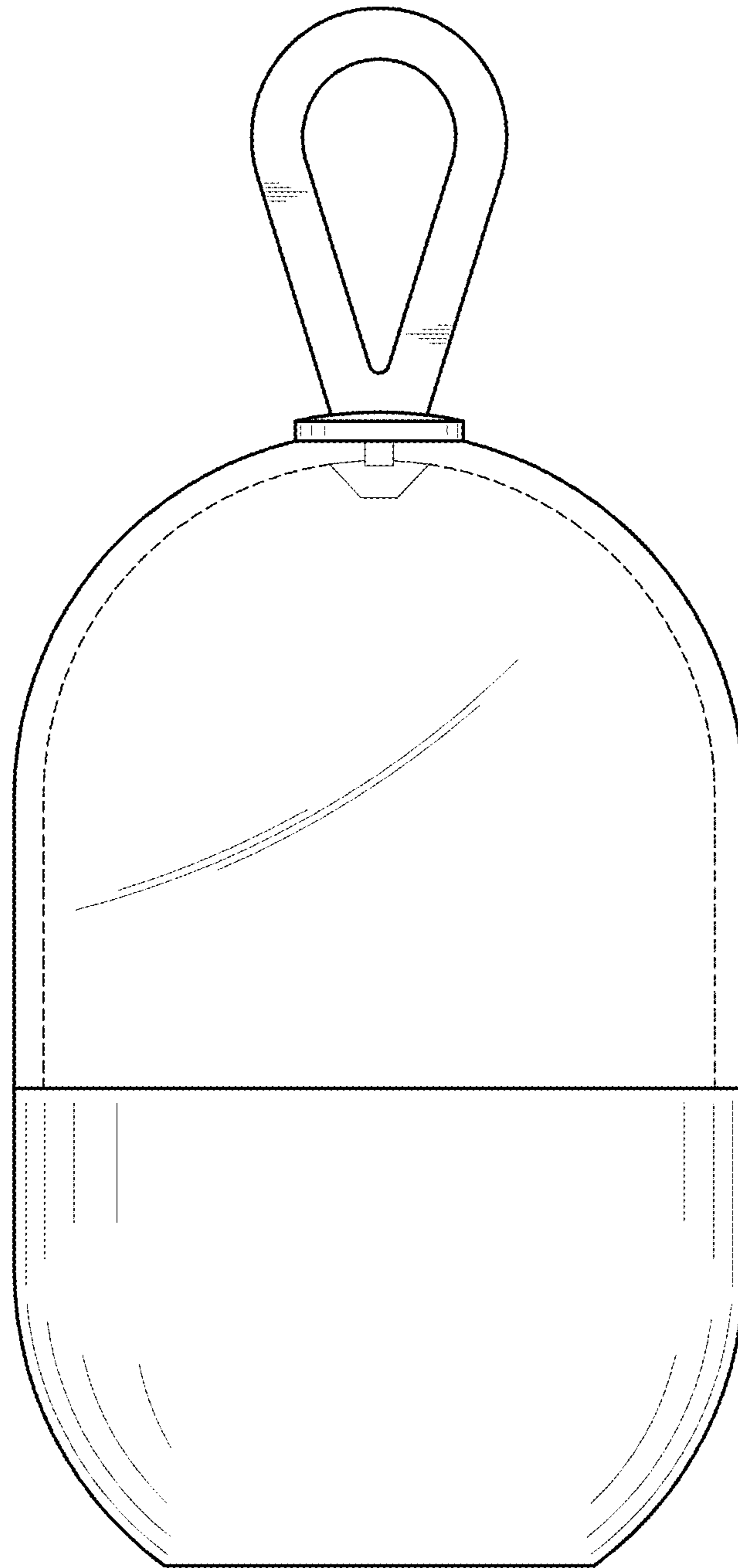


FIG. 2

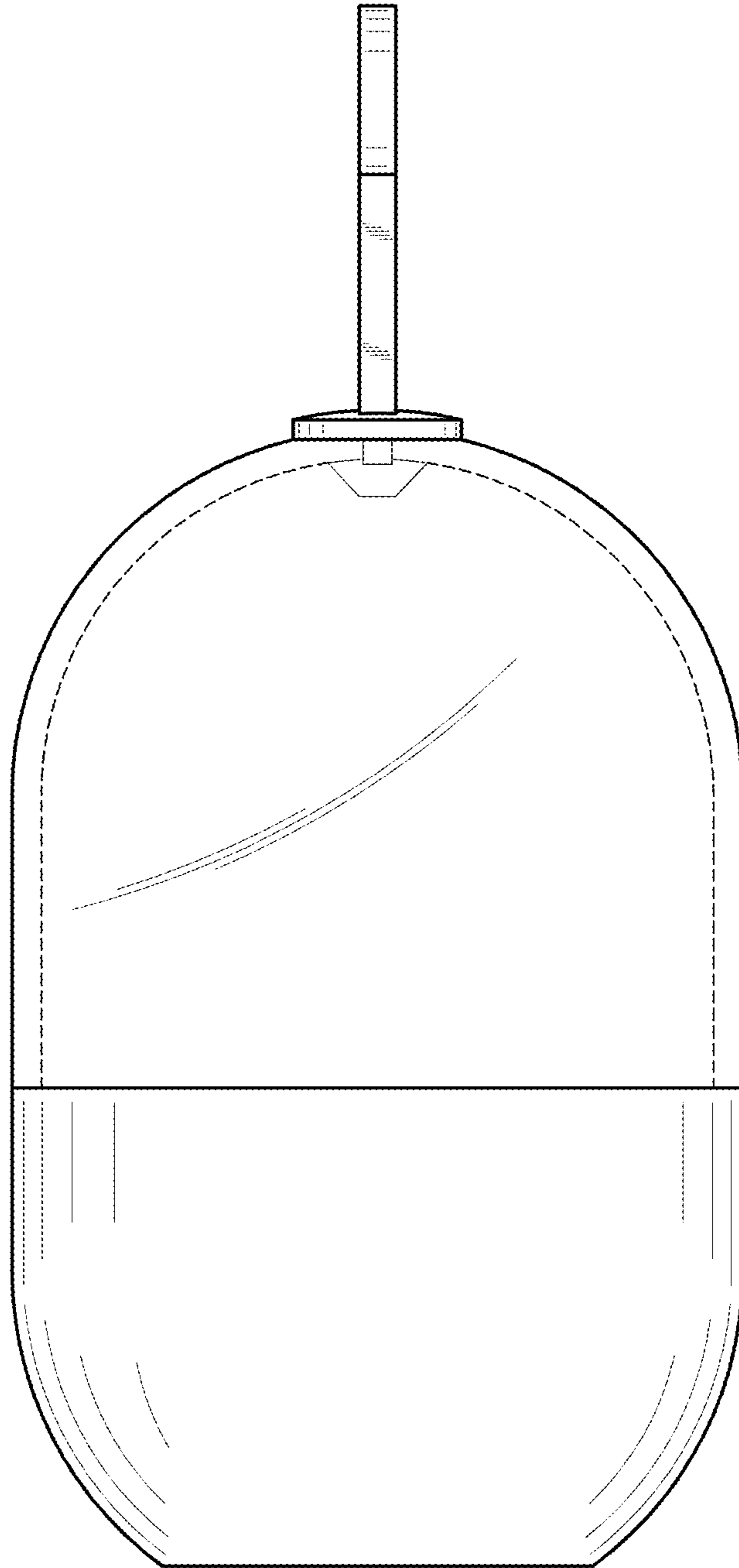


FIG.3

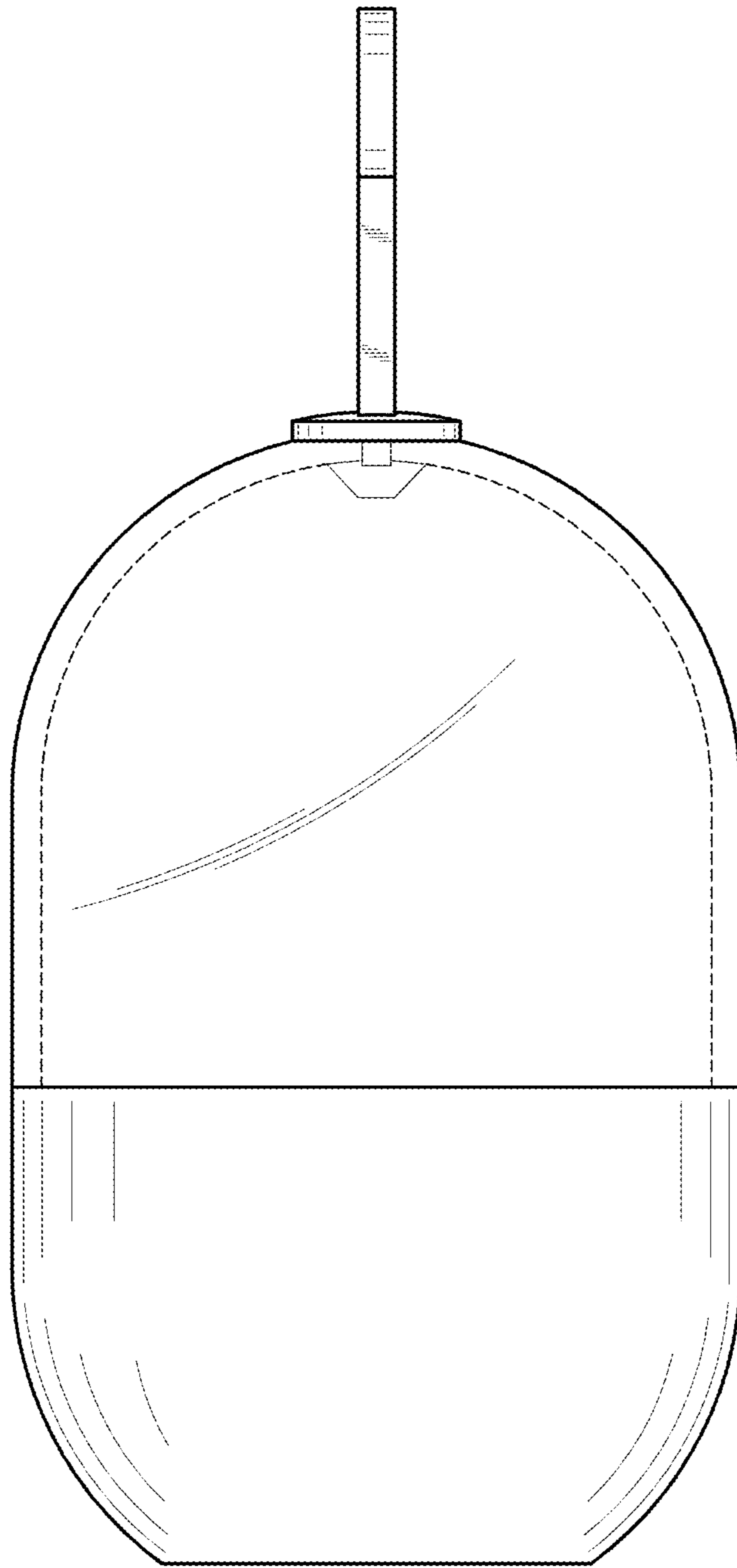


FIG.4

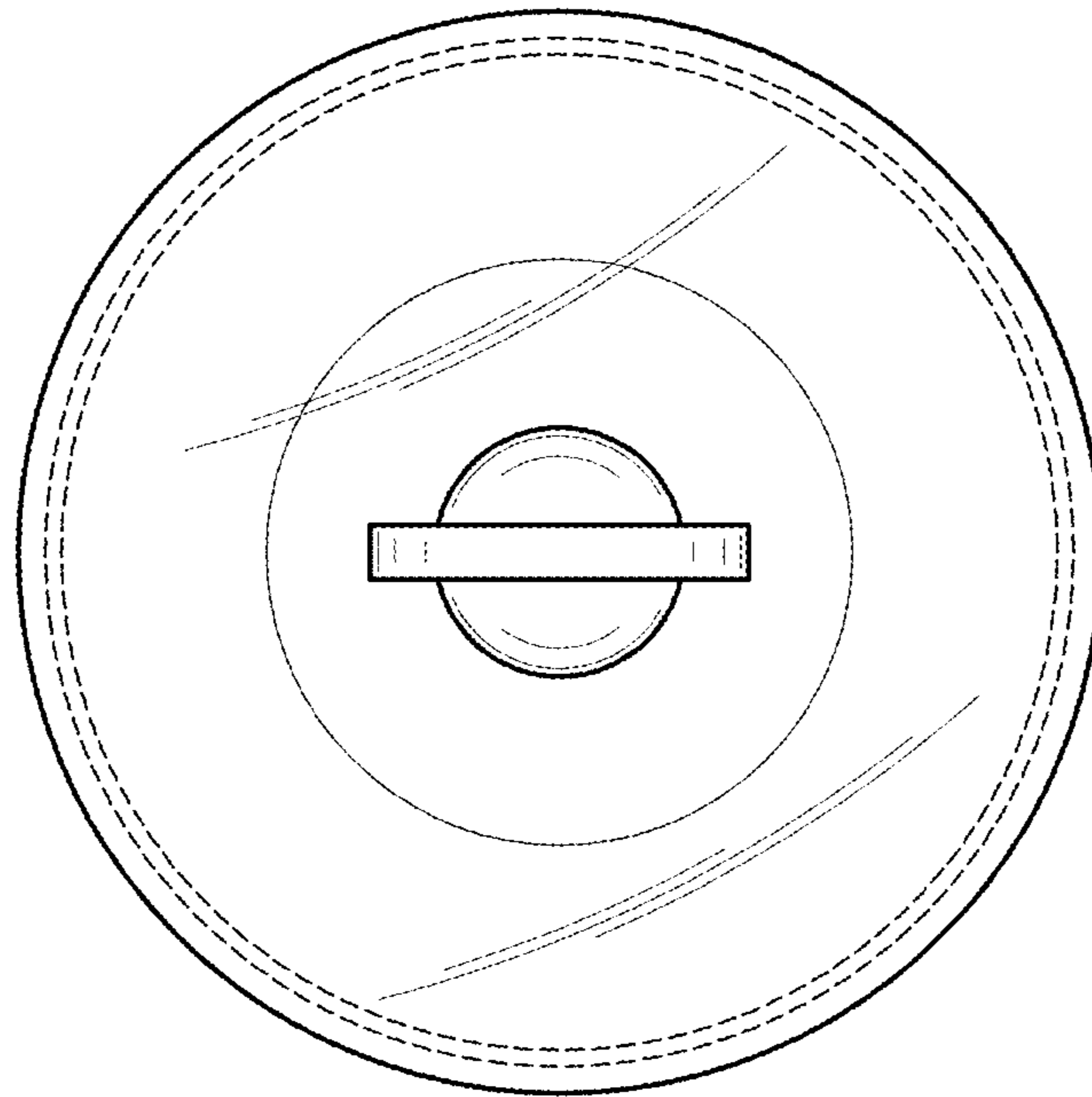


FIG. 5

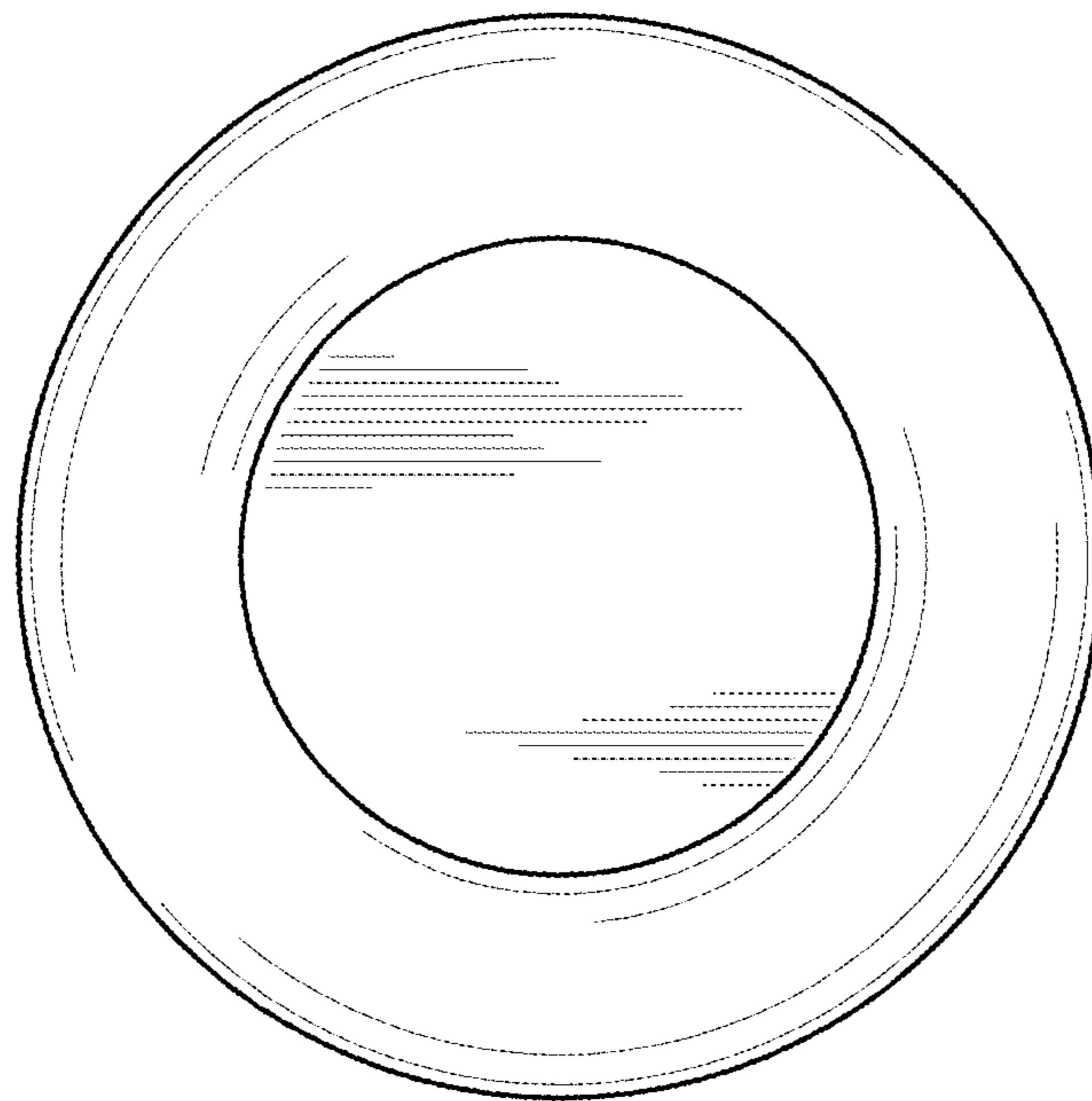


FIG. 6

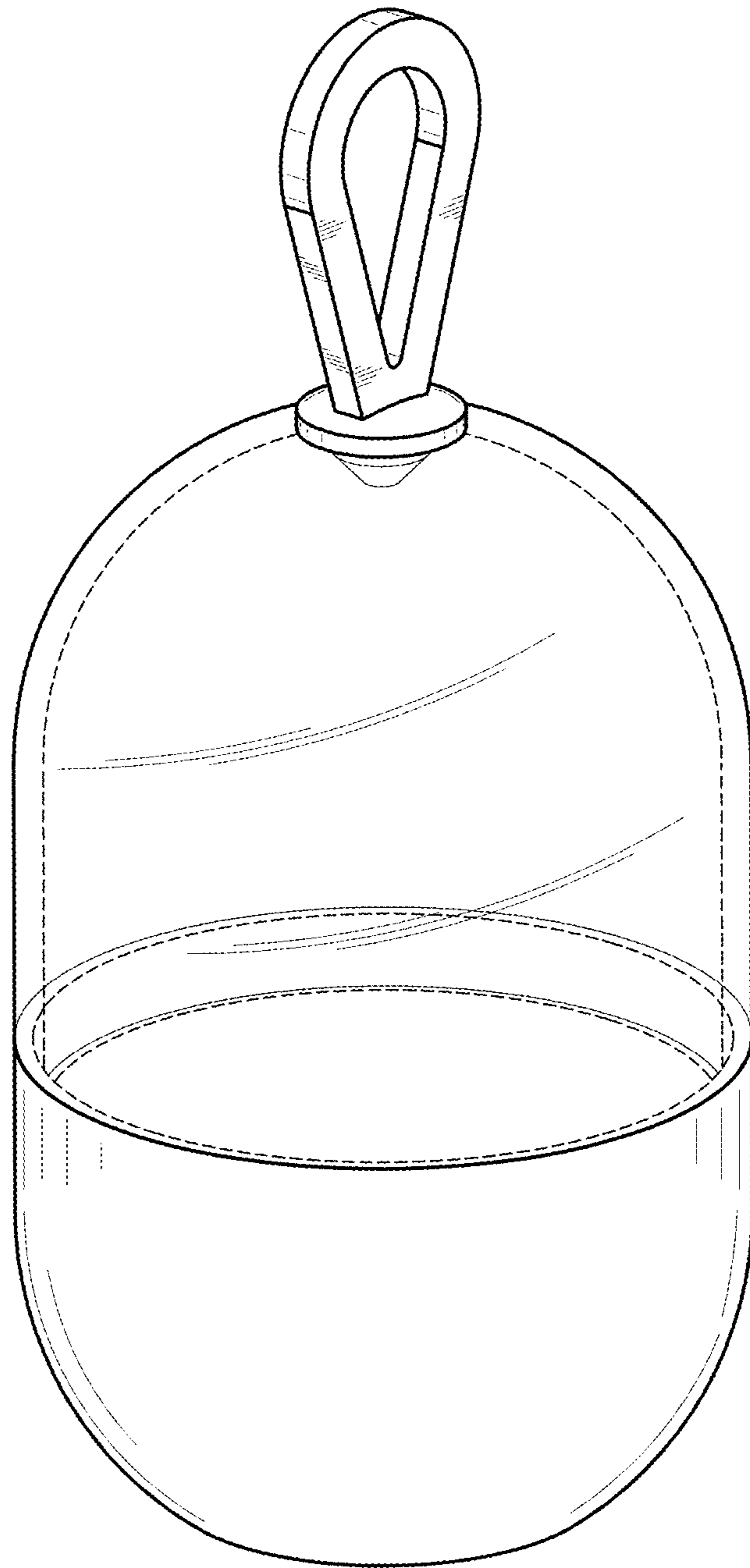


FIG.7



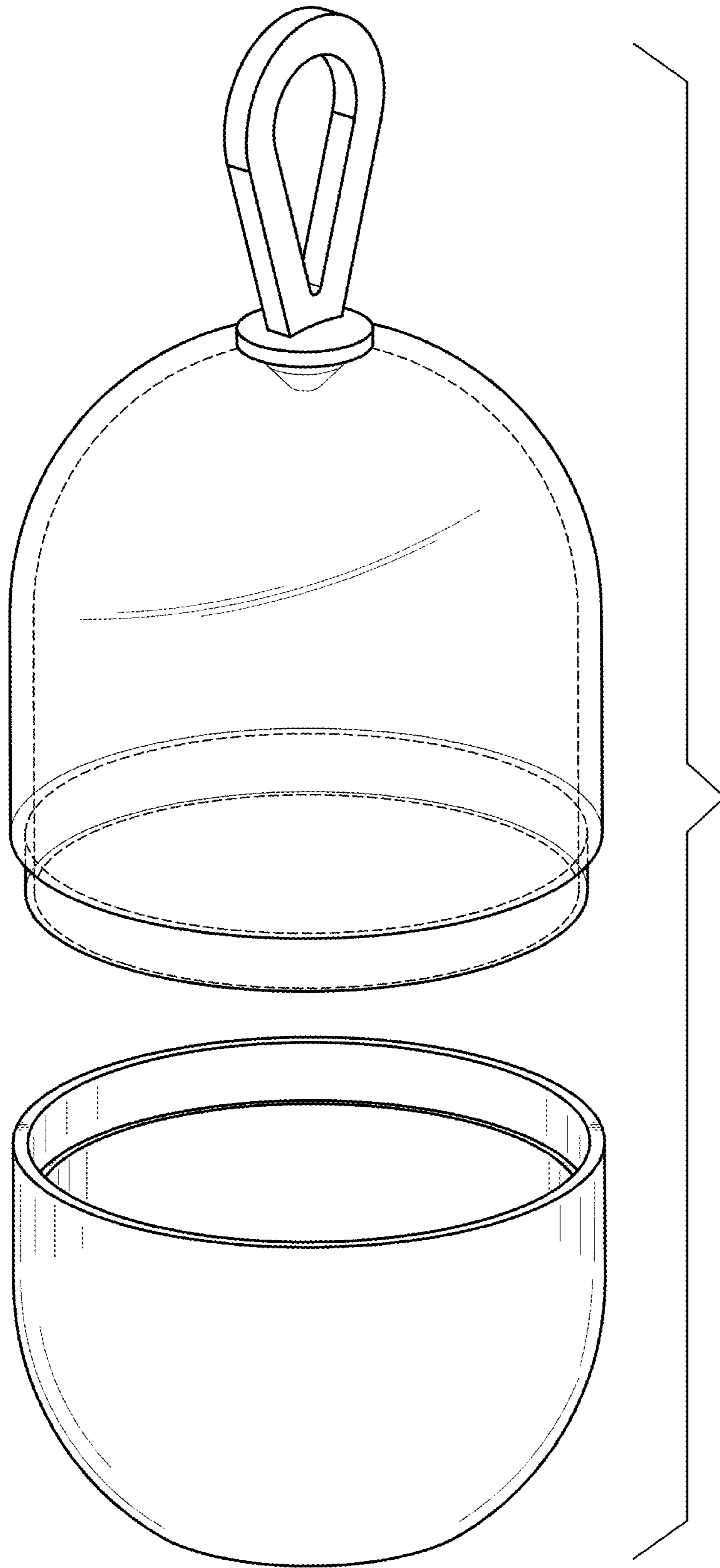


FIG.8