



US00D942690S

(12) **United States Design Patent** (10) **Patent No.:** **US D942,690 S**  
**Lindh et al.** (45) **Date of Patent:** **\*\* Feb. 1, 2022**

- (54) **BEAUTY VALISE**
- (71) Applicant: **Lindh Concept LLC**, New York, NY (US)
- (72) Inventors: **Julie Lindh**, New York, NY (US); **Samuele Brianza**, Milan (IT)
- (73) Assignee: **Lindh Concept, LLC**, New York, NY (US)
- (\*\*) Term: **15 Years**
- (21) Appl. No.: **29/713,718**
- (22) Filed: **Nov. 18, 2019**
- (51) **LOC (13) Cl.** ..... **28-03**
- (52) **U.S. Cl.**  
USPC ..... **D28/73; D3/273**
- (58) **Field of Classification Search**  
USPC ..... D28/9, 38, 73, 99; D3/201, 205, 273, D3/294, 303, 315-316; D6/672, 675; D9/423, 529; D19/75  
CPC ..... A45D 44/02; A45D 44/04; A45D 44/18; A45D 44/22; A45D 2200/207; A45D 2200/25; A45D 2200/053; A45D 20/00; A45D 20/12  
See application file for complete search history.

D793,717 S \* 8/2017 Boljat ..... D3/205  
D839,586 S 2/2019 Li  
D860,635 S \* 9/2019 Connelly ..... D3/201  
(Continued)

**OTHER PUBLICATIONS**

Makeup Brush Holder, Narwey, reviewed on Oct. 5, 2019 on amazon.com, retrieved on Jul. 13, 2021, retrieved from the Internet URL: [https://www.amazon.com/Makeup-Brushes-Storage-Dustproof-Y-Black/dp/B07Q6N4XR8/ref=sr\\_1\\_1?dchild=1&keywords=cylindrical%2Btravel%2Bcase&qid=1626202565&sr=8-1&th=1](https://www.amazon.com/Makeup-Brushes-Storage-Dustproof-Y-Black/dp/B07Q6N4XR8/ref=sr_1_1?dchild=1&keywords=cylindrical%2Btravel%2Bcase&qid=1626202565&sr=8-1&th=1).\*

*Primary Examiner* — Jennifer Rivard  
*Assistant Examiner* — Alison M Ofstun  
(74) *Attorney, Agent, or Firm* — Doherty IP Law Group LLC

(57) **CLAIM**

The ornamental design for a beauty valise, as shown and described.

**DESCRIPTION**

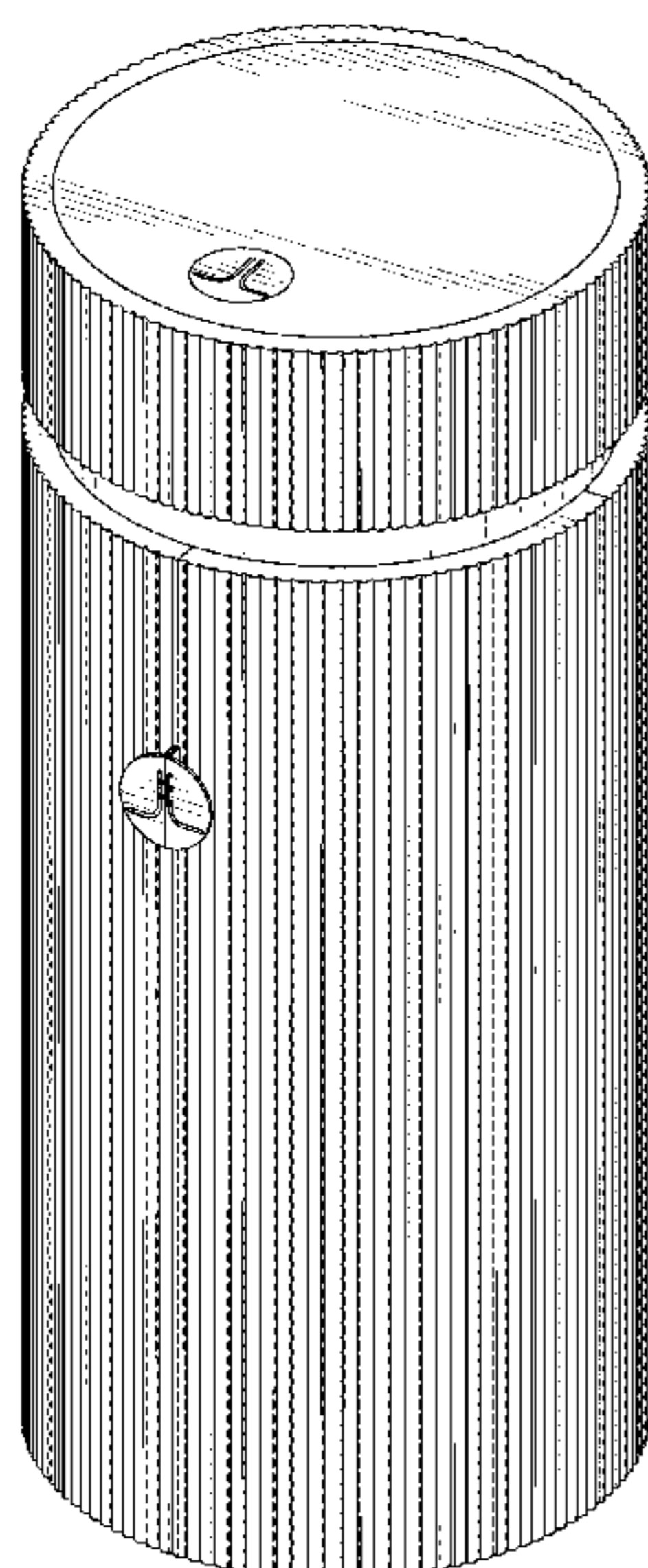
FIG. 1 is a front, perspective view of a beauty valise, showing our new design;  
FIG. 2 is a front elevation view of the beauty valise shown in FIG. 1;  
FIG. 3 is a rear elevation view of the beauty valise shown in FIG. 1;  
FIG. 4 is a left side view of the beauty valise shown in FIG. 1;  
FIG. 5 is a right side view of the beauty valise shown in FIG. 1;  
FIG. 6 is a top plan view of the beauty valise shown in FIG. 1;  
FIG. 7 is a front, perspective view of the beauty valise shown in FIG. 1, shown in an open configuration of use; and, FIG. 8 is a rear, perspective view of the beauty valise shown in FIG. 1, shown in an open configuration of use.  
In the drawings, the broken lines illustrate portions of the article which form no part of the claimed design.

**1 Claim, 8 Drawing Sheets**

(56) **References Cited**

**U.S. PATENT DOCUMENTS**

- D264,520 S \* 5/1982 Garrett ..... D19/67
- D315,987 S 4/1991 Tobias
- D399,540 S \* 10/1998 Wolfenstein ..... D21/392
- 6,047,983 A \* 4/2000 Day, III ..... B62B 1/12  
280/47.26
- D426,383 S \* 6/2000 Thrower ..... D3/273
- D431,905 S \* 10/2000 McCormack ..... D3/273
- D499,552 S \* 12/2004 Nissanoff ..... D3/273
- D564,216 S \* 3/2008 Thai ..... D3/202
- D694,010 S \* 11/2013 Buie, II ..... D3/262
- D703,060 S \* 4/2014 Okulla ..... D9/529



(56)

**References Cited**

U.S. PATENT DOCUMENTS

D898,347 S \* 10/2020 Lee ..... D3/203.3  
D911,618 S \* 2/2021 Moon ..... D28/76  
2008/0179323 A1\* 7/2008 Circosta ..... A45D 44/18  
220/8  
2010/0083520 A1\* 4/2010 Bertakis ..... A45D 20/04  
34/60

\* cited by examiner

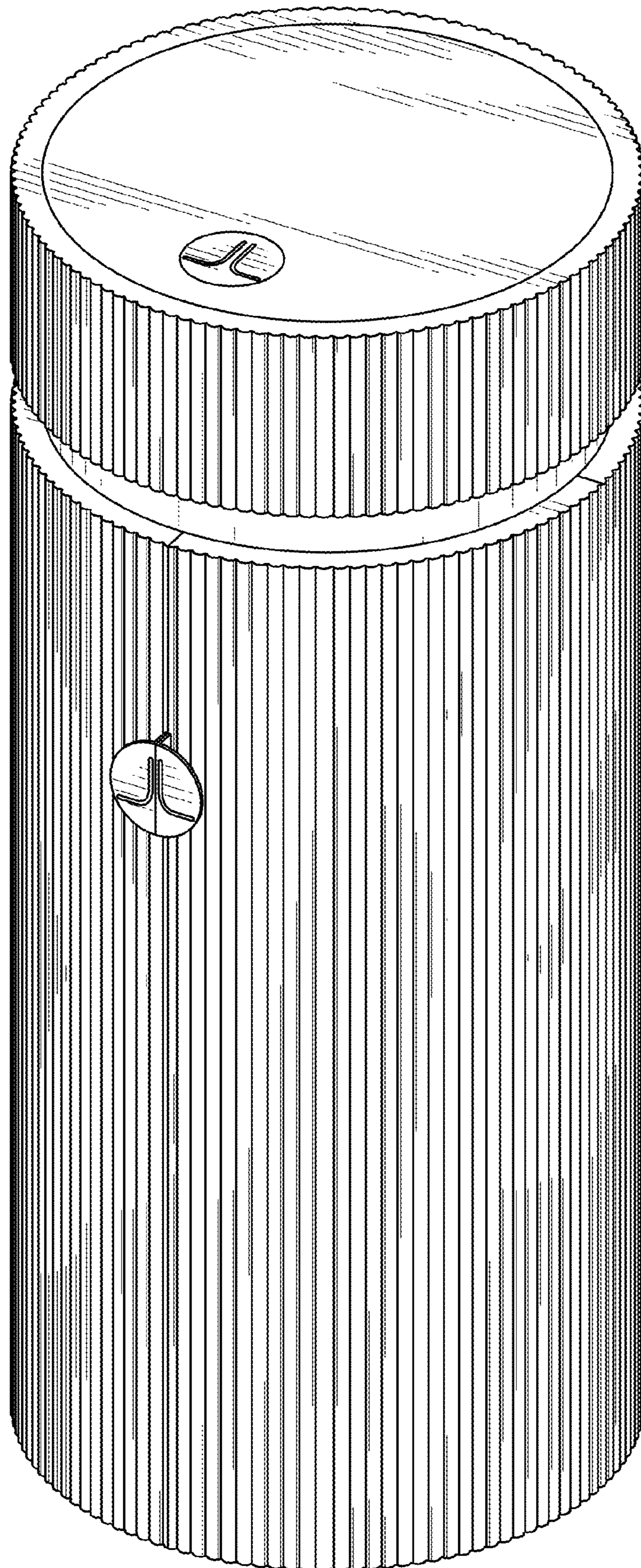


FIG. 1

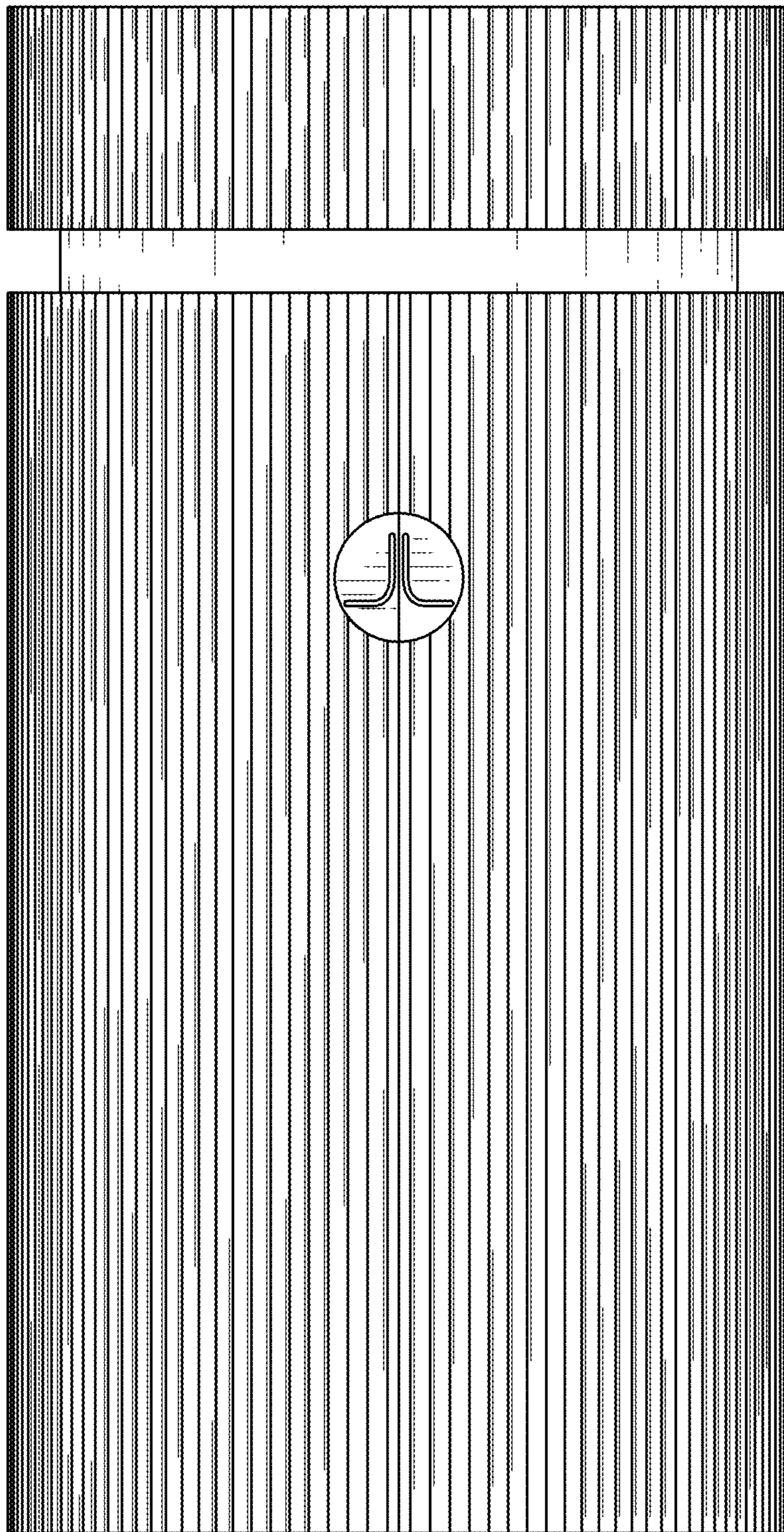


FIG. 2

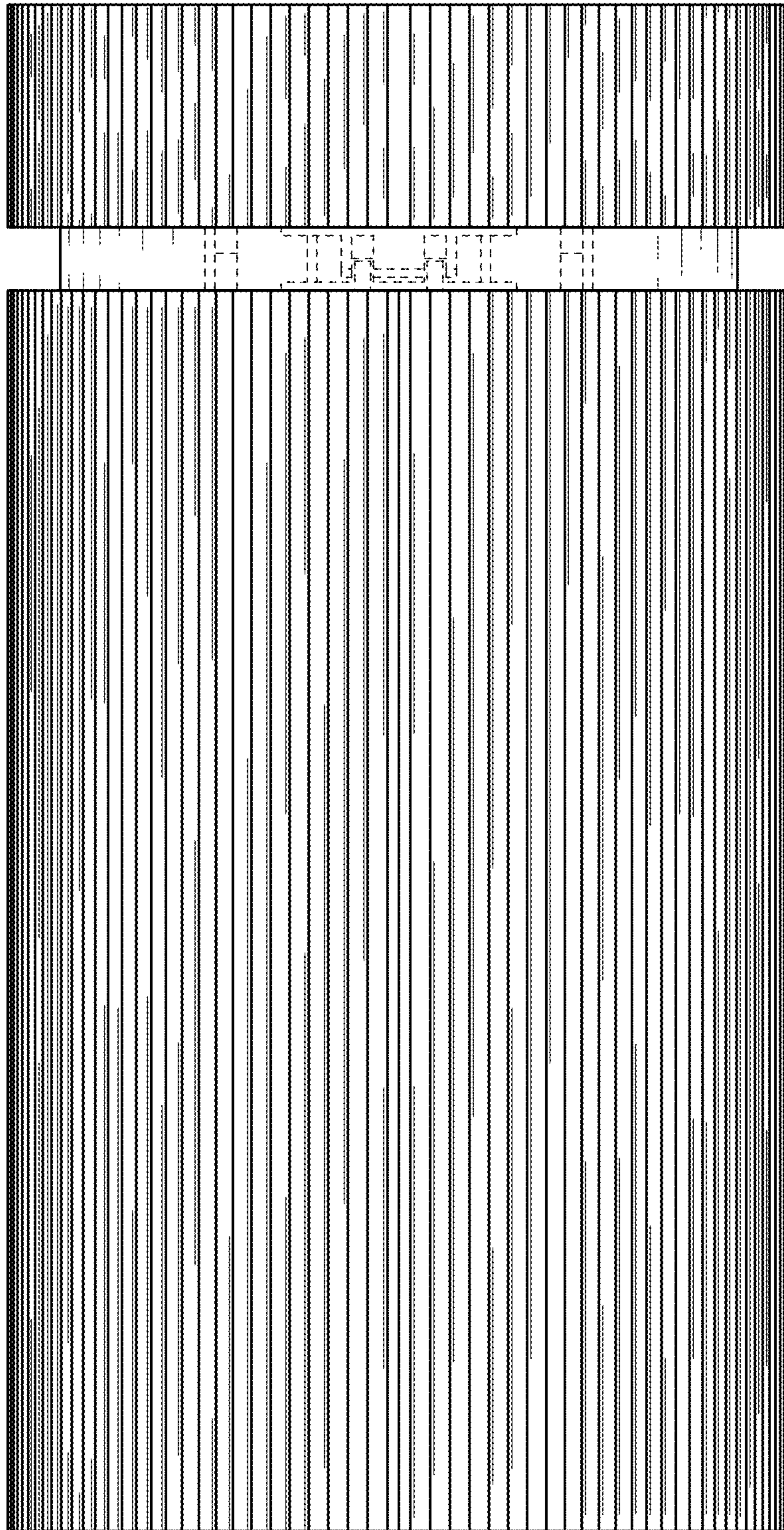


FIG. 3

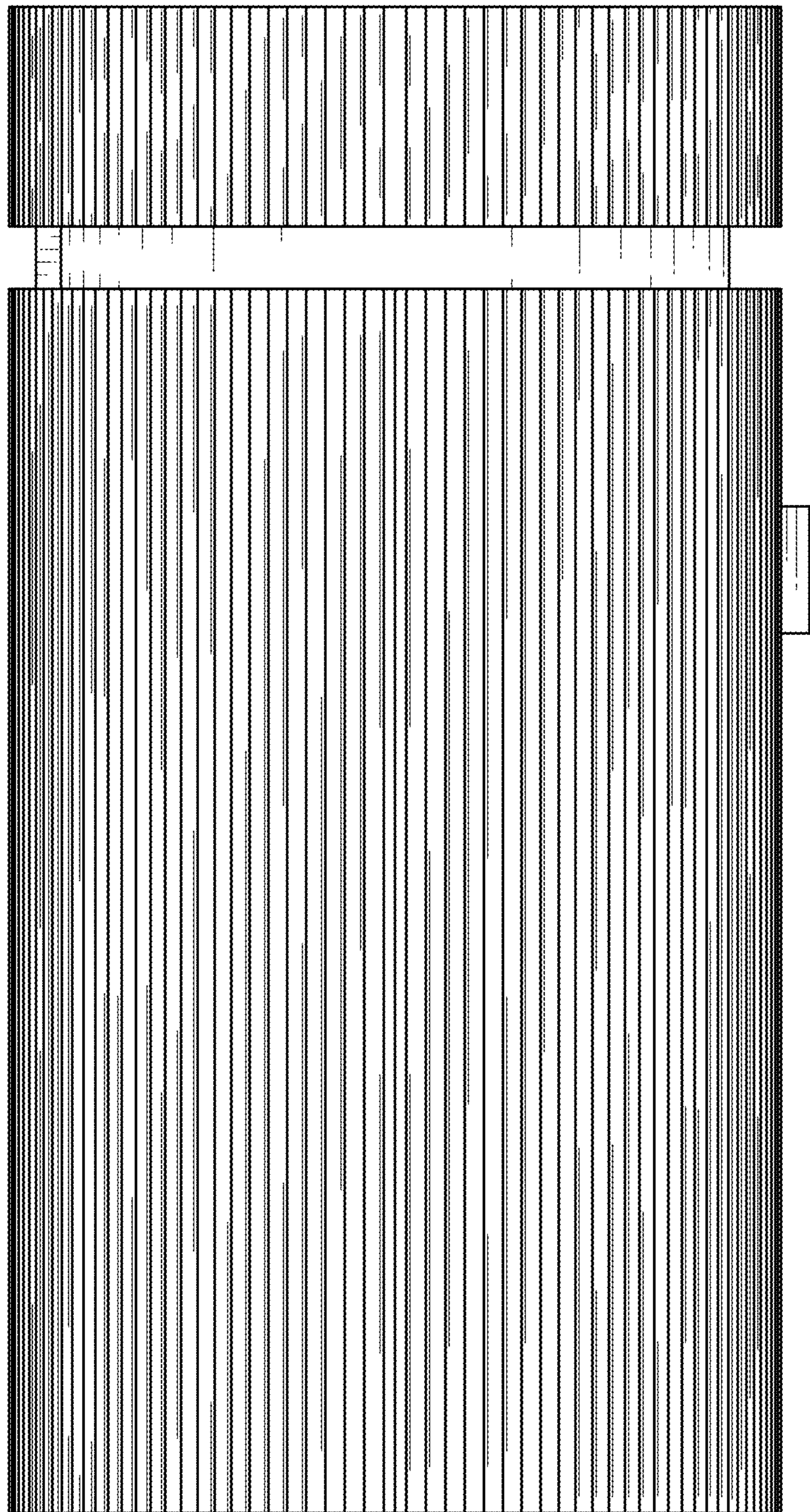


FIG. 4

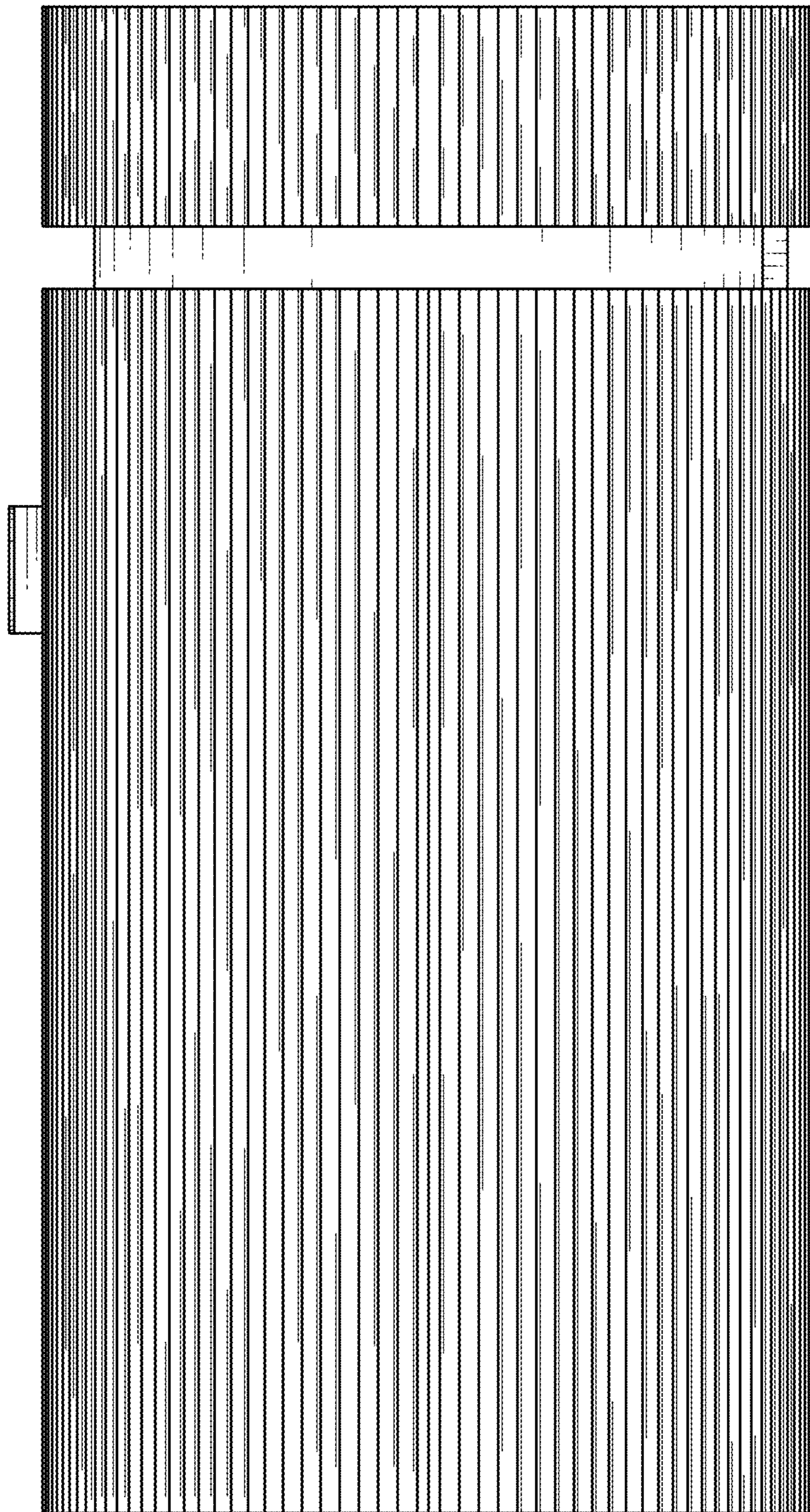


FIG. 5

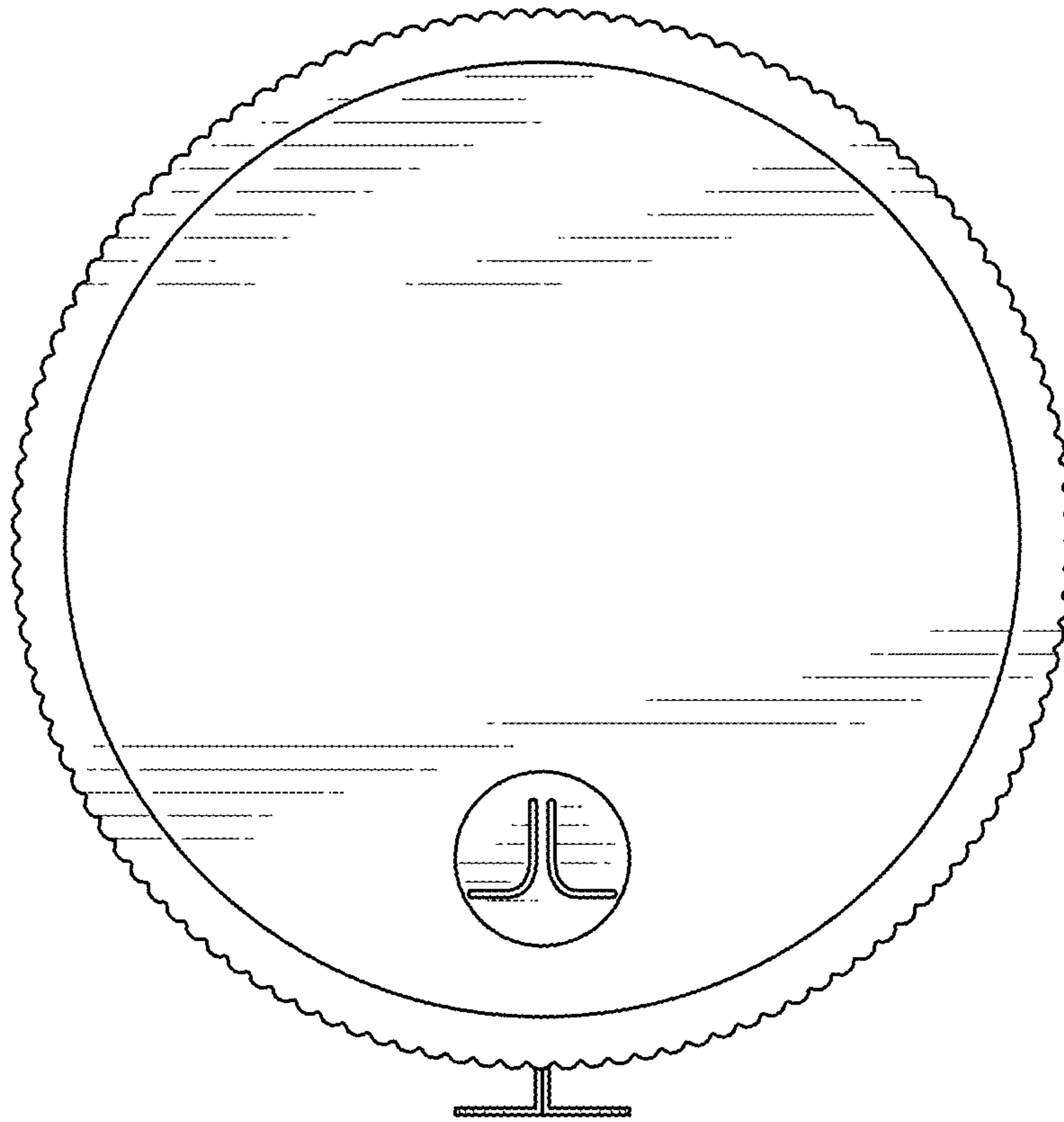


FIG. 6



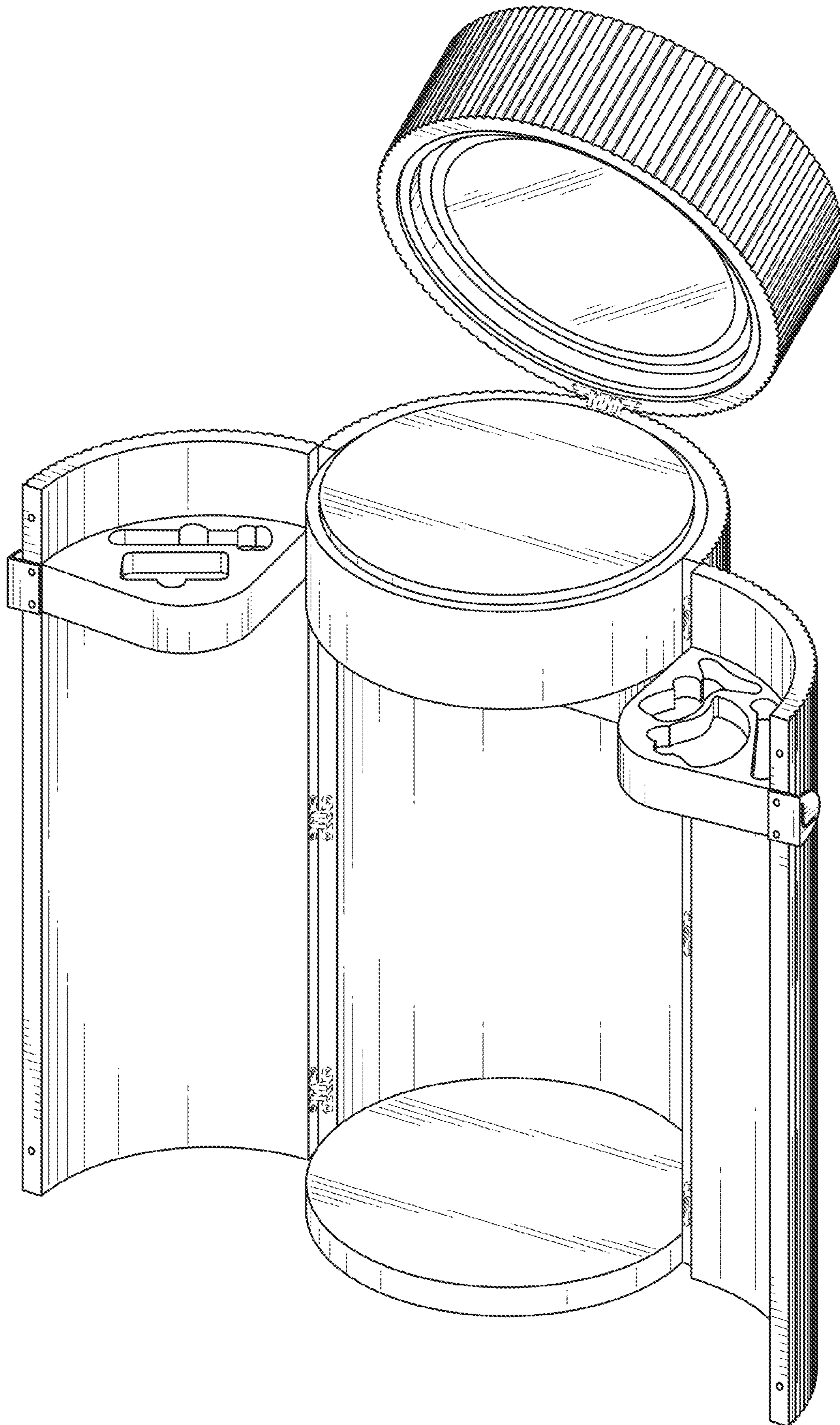


FIG. 7

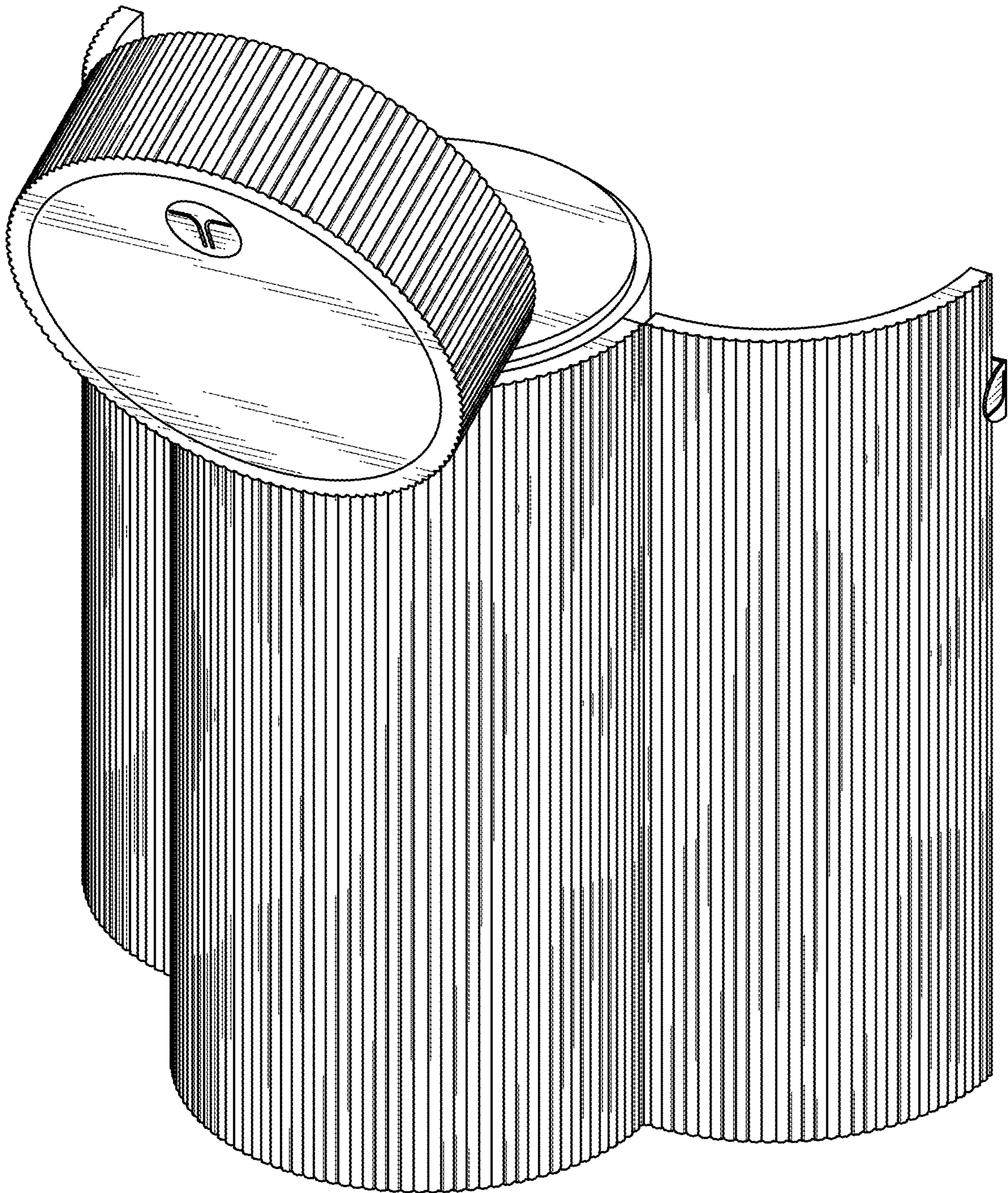


FIG. 8