



US00D942689S

(12) **United States Design Patent** (10) **Patent No.:** **US D942,689 S**  
**Xiao** (45) **Date of Patent:** **\*\* Feb. 1, 2022**

(54) **NAIL CLIPPER**  
(71) Applicant: **Ruiqin Xiao**, Huaihua (CN)  
(72) Inventor: **Ruiqin Xiao**, Huaihua (CN)

D724,916 S \* 3/2015 Hoang ..... B25B 7/12  
D852,420 S \* 6/2019 Deng ..... D28/60  
D899,692 S \* 10/2020 Ishida ..... D28/60  
D919,889 S \* 5/2021 Park ..... D28/60

(\*\*) Term: **15 Years**  
(21) Appl. No.: **29/764,930**

**OTHER PUBLICATIONS**

Vanwin Nail Clipper, www.amazon.com, first available Sep. 2021, 1 page (Year: 2021).\*

(22) Filed: **Jan. 4, 2021**  
(51) **LOC (13) Cl.** ..... **28-03**  
(52) **U.S. Cl.**  
USPC ..... **D28/60**  
(58) **Field of Classification Search**  
USPC ..... D28/60  
CPC ..... A45D 29/023; A45D 29/02; A45D 29/00;  
A45D 29/18; A45D 2029/026  
See application file for complete search history.

\* cited by examiner

*Primary Examiner* — Jennifer Rivard

(56) **References Cited**

**U.S. PATENT DOCUMENTS**

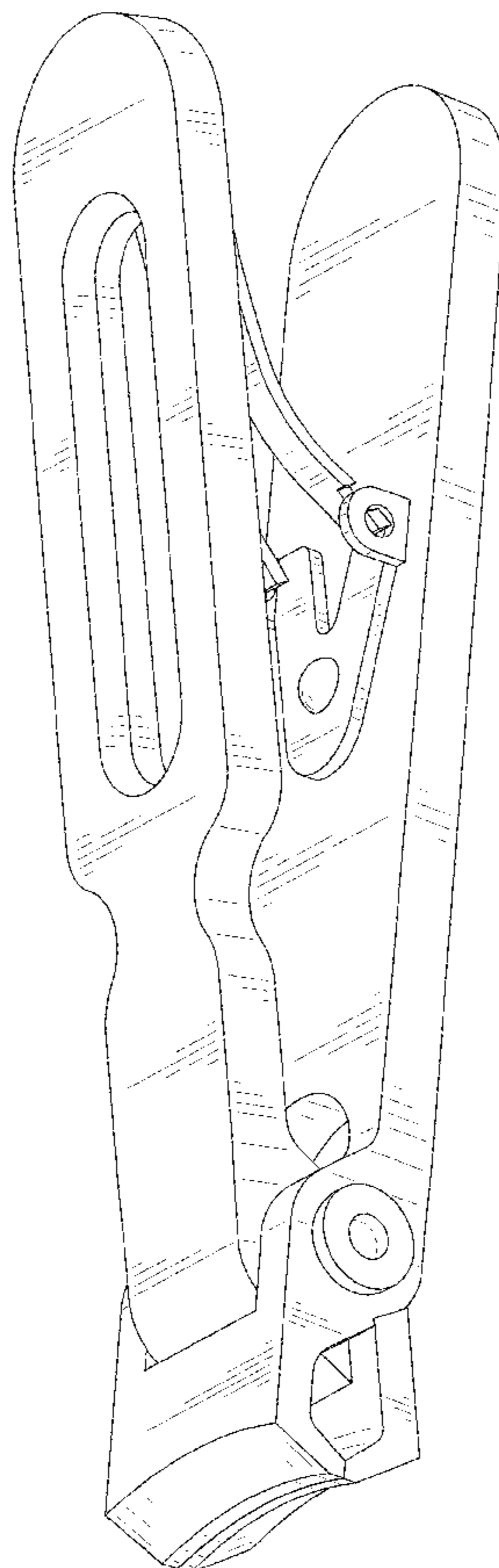
D468,865 S 1/2003 Park  
D547,006 S \* 7/2007 Han ..... D28/60  
D559,462 S \* 1/2008 Garland ..... D28/60  
D593,712 S \* 6/2009 Han ..... D28/60  
D639,510 S \* 6/2011 Farris ..... D28/60  
D676,609 S \* 2/2013 Kim ..... D28/60

(57) **CLAIM**  
The ornamental design for a nail clipper, as shown and described.

**DESCRIPTION**

FIG. 1 is a perspective view of a nail clipper showing my new design;  
FIG. 2 is another perspective view thereof;  
FIG. 3 is a front elevational view thereof  
FIG. 4 is a rear elevational view thereof;  
FIG. 5 is a left side elevational view thereof;  
FIG. 6 is a right side elevational view thereof;  
FIG. 7 is a top plan view thereof; and,  
FIG. 8 is a bottom plan view thereof.  
The broken lines in the drawings depict portions of the nail clipper that form no part of the claimed design.

**1 Claim, 8 Drawing Sheets**



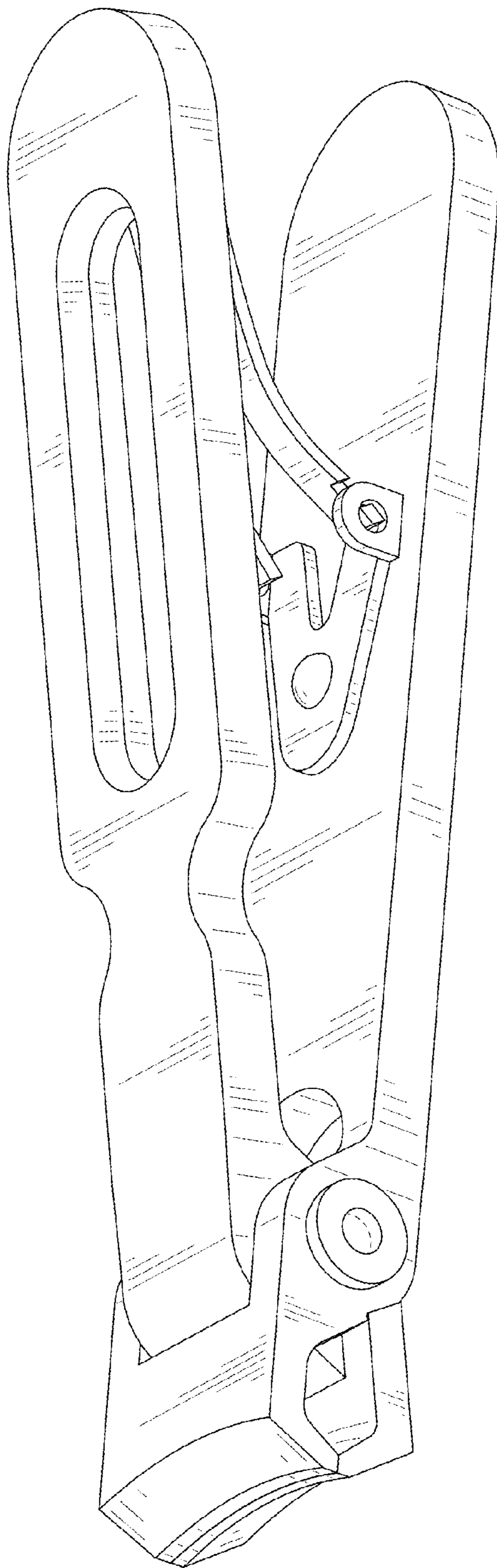


FIG. 1

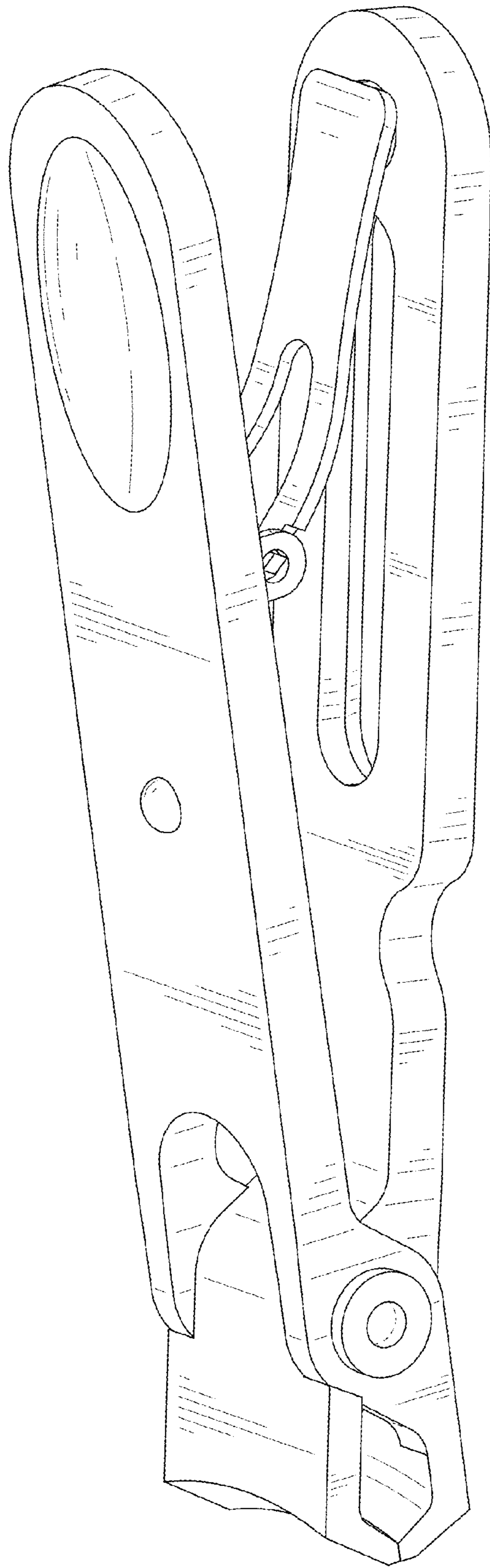


FIG. 2

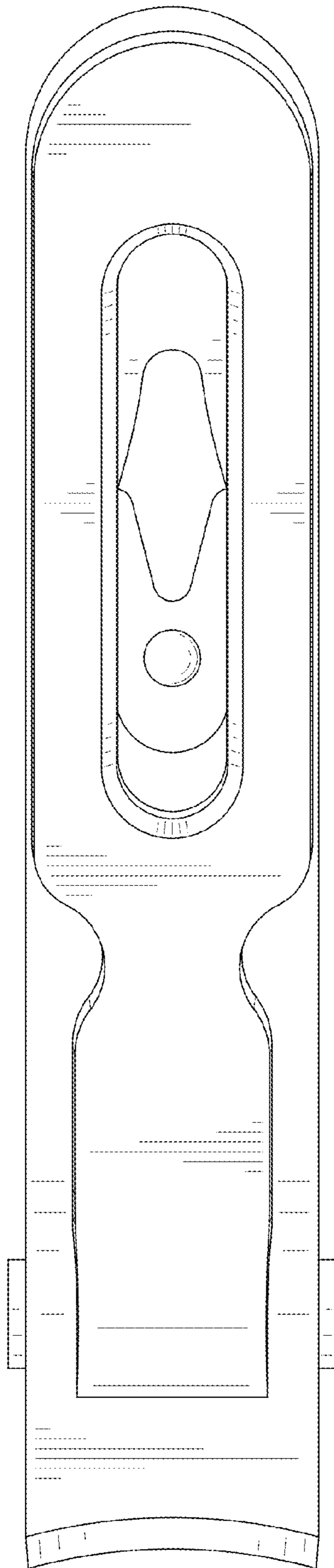


FIG. 3

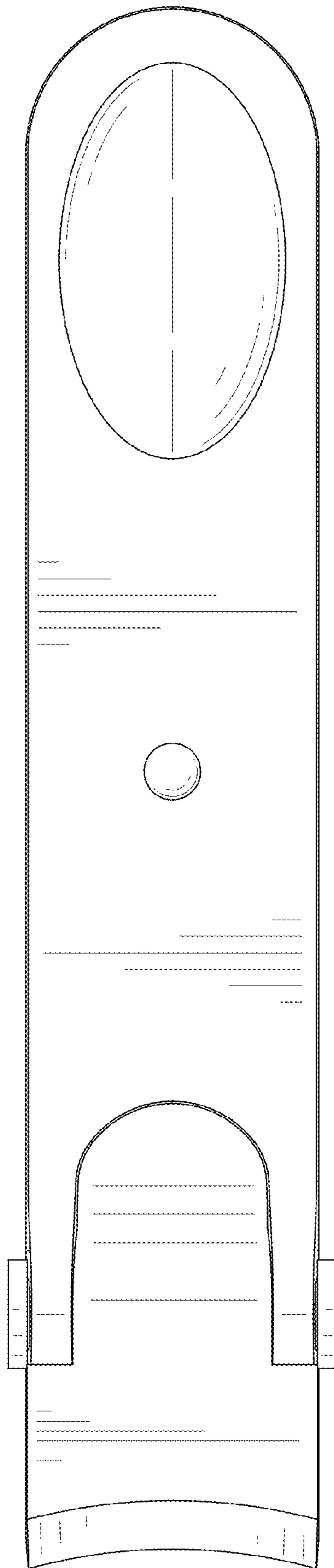


FIG. 4

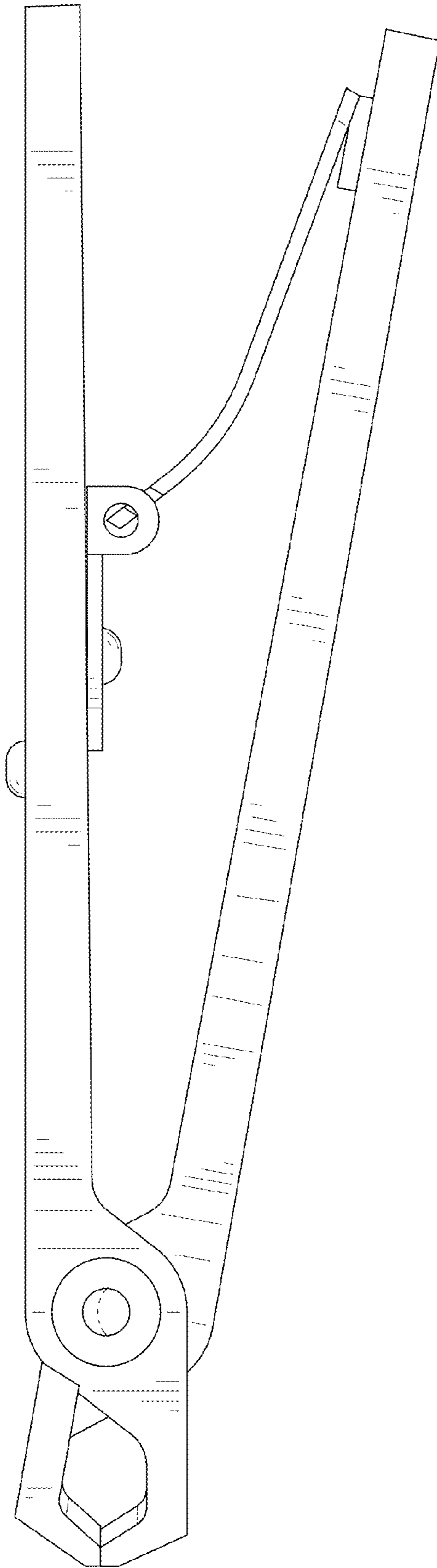


FIG. 5

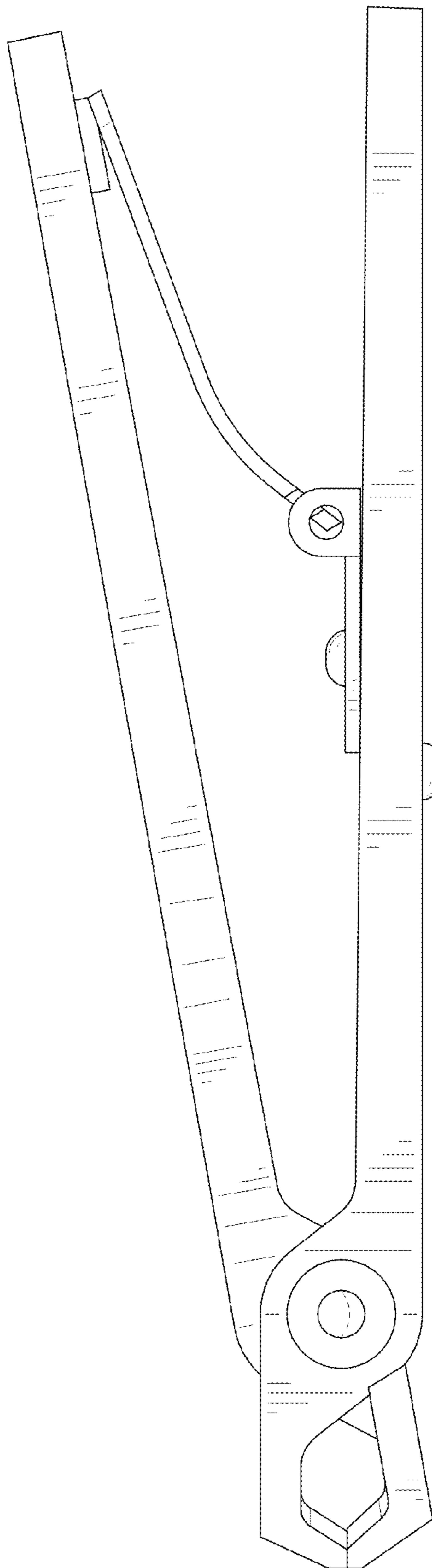


FIG. 6

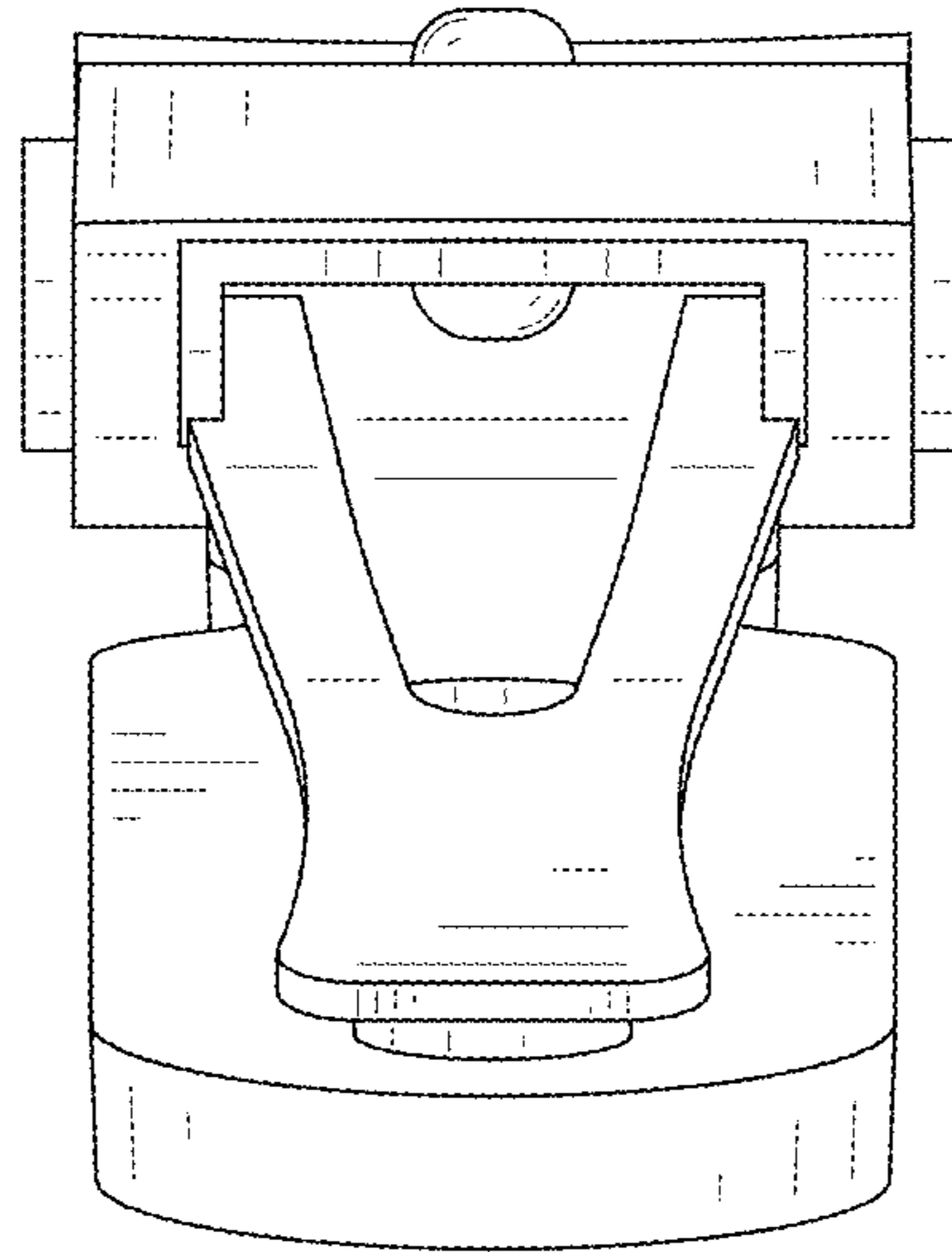


FIG. 7



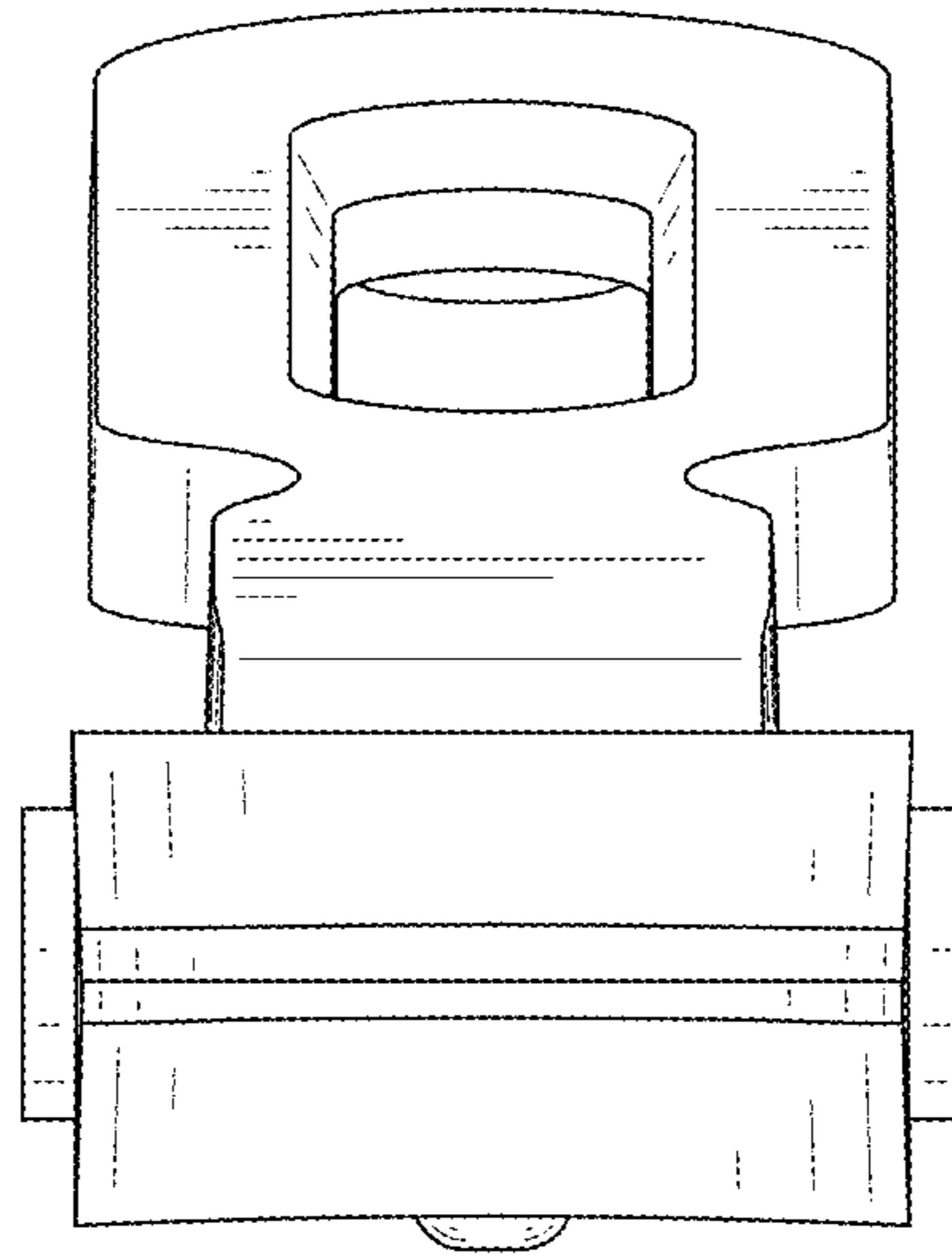


FIG. 8