



US00D942688S

(12) **United States Design Patent**  
**Zhang**

(10) **Patent No.:** **US D942,688 S**

(45) **Date of Patent:** **\*\* Feb. 1, 2022**

(54) **NAIL POLISHER**

(71) Applicant: **Chunfeng Zhang**, Jiangxi (CN)

(72) Inventor: **Chunfeng Zhang**, Jiangxi (CN)

(\*\*) Term: **15 Years**

(21) Appl. No.: **29/714,281**

(22) Filed: **Nov. 21, 2019**

(51) **LOC (13) Cl.** ..... **28-03**

(52) **U.S. Cl.**

USPC ..... **D28/58**; D28/59; D30/158

(58) **Field of Classification Search**

USPC ..... D28/58-59; D30/158

CPC ..... A45D 29/007; A45D 29/05; A45D 29/14;

A45D 29/06

See application file for complete search history.

(56) **References Cited**

**U.S. PATENT DOCUMENTS**

D266,607	S *	10/1982	Choe	.....	D28/58
D314,068	S *	1/1991	Sulik	.....	D28/58
5,762,077	A *	6/1998	Griffiths, Jr.	.....	A45D 29/007
					132/318
D405,232	S *	2/1999	Stevens	.....	D28/58
D418,944	S *	1/2000	Choi	.....	D28/58
D429,381	S *	8/2000	Pratt	.....	D28/58
D482,284	S *	11/2003	Cantone	.....	A45D 29/007
					D9/502
6,640,811	B2 *	11/2003	Cho	.....	A45D 29/05
					132/73.6
D511,400	S *	11/2005	Shubert	.....	D28/58
D511,401	S *	11/2005	Park	.....	D28/58
7,114,871	B2 *	10/2006	Thiebaut	.....	A45D 29/007
					401/205
D603,561	S *	11/2009	Cho	.....	D28/58
D687,598	S *	8/2013	Amit	.....	D28/58
D736,999	S *	8/2015	Yiu	.....	D28/58
D751,762	S *	3/2016	Hollinger	.....	D28/58

D756,788	S *	5/2016	Marchant	.....	D9/503
D769,529	S *	10/2016	Langberg	.....	D28/58
D781,496	S *	3/2017	Butler	.....	D28/58
D781,497	S *	3/2017	Butler	.....	D28/58
D841,250	S *	2/2019	Gobber	.....	D28/58
D887,083	S *	6/2020	Luo	.....	D28/59
D895,210	S *	9/2020	Wu	.....	D28/58
D917,110	S *	4/2021	Guo	.....	D30/158
D917,111	S *	4/2021	Guo	.....	D30/158
D924,497	S *	7/2021	Wei	.....	D30/158
2005/0066987	A1 *	3/2005	Perlman	.....	A45D 29/007
					132/74.5
2006/0137703	A1 *	6/2006	Kling	.....	A45D 29/05
					132/73.6
2006/0289025	A1 *	12/2006	Nevakshonoff	.....	B24B 23/02
					132/73.6
2013/0092182	A1 *	4/2013	Stockbauer	.....	A61B 17/54
					132/75.8
2015/0150353	A1 *	6/2015	Yiu	.....	A45D 29/14
					132/75.6

(Continued)

*Primary Examiner* — Jennifer Rivard

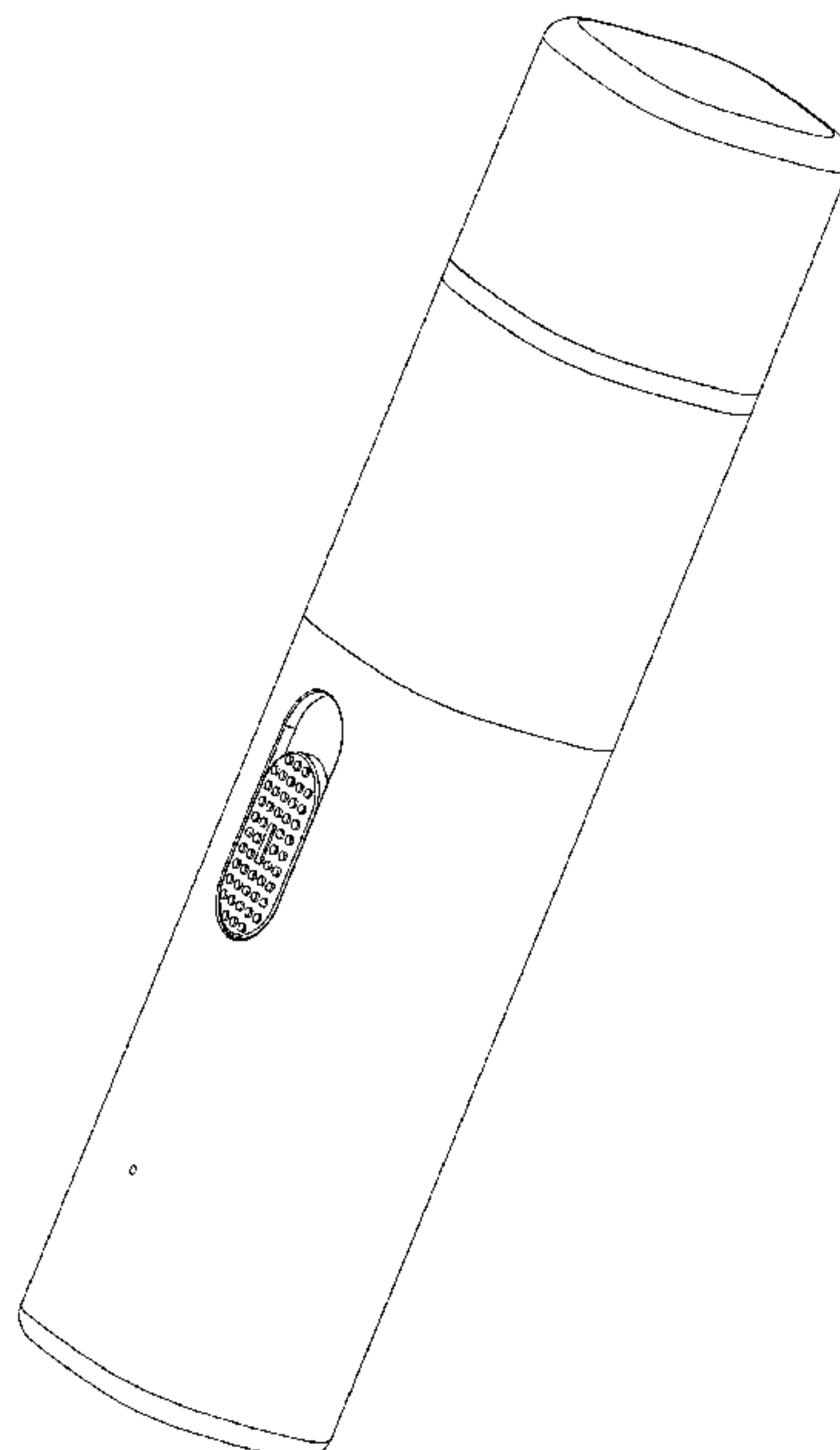
(57) **CLAIM**

The ornamental design for a nail polisher, as shown and described.

**DESCRIPTION**

FIG. 1 is a front elevational view of a nail polisher showing my new design;  
FIG. 2 is a rear elevational view thereof;  
FIG. 3 is a left side view thereof;  
FIG. 4 is a right side view thereof;  
FIG. 5 is a top plan view thereof;  
FIG. 6 is a bottom plan view thereof;  
FIG. 7 is a perspective view thereof; and,  
FIG. 8 is another perspective view thereof.  
The broken lines illustrate portions of the nail polisher that form no part of the claimed design.

**1 Claim, 8 Drawing Sheets**



(56)

**References Cited**

U.S. PATENT DOCUMENTS

2016/0029768 A1\* 2/2016 Dai ..... A45D 29/02  
30/27  
2019/0075906 A1\* 3/2019 Ndachi ..... A45D 34/041  
2019/0150589 A1\* 5/2019 Jones ..... A45D 40/24

\* cited by examiner

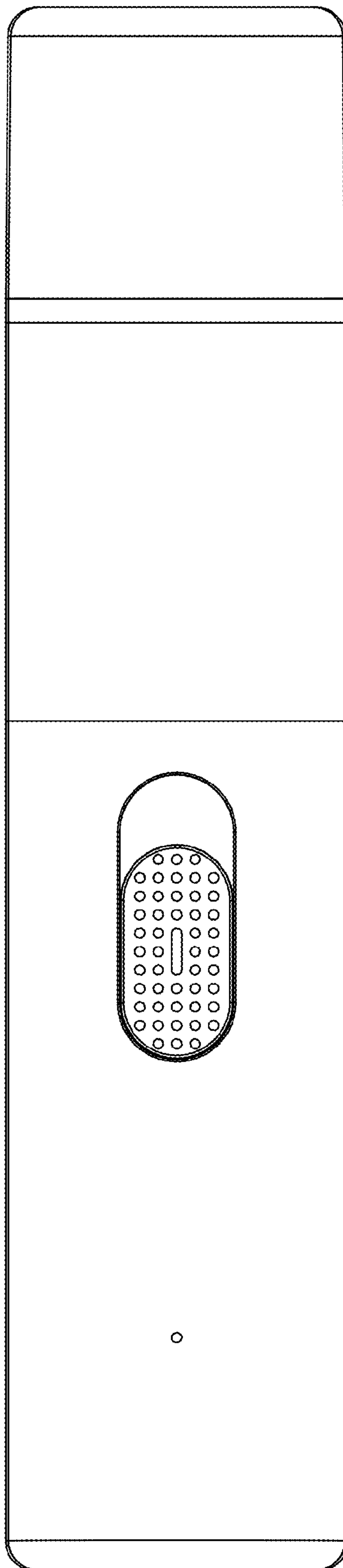


FIG. 1

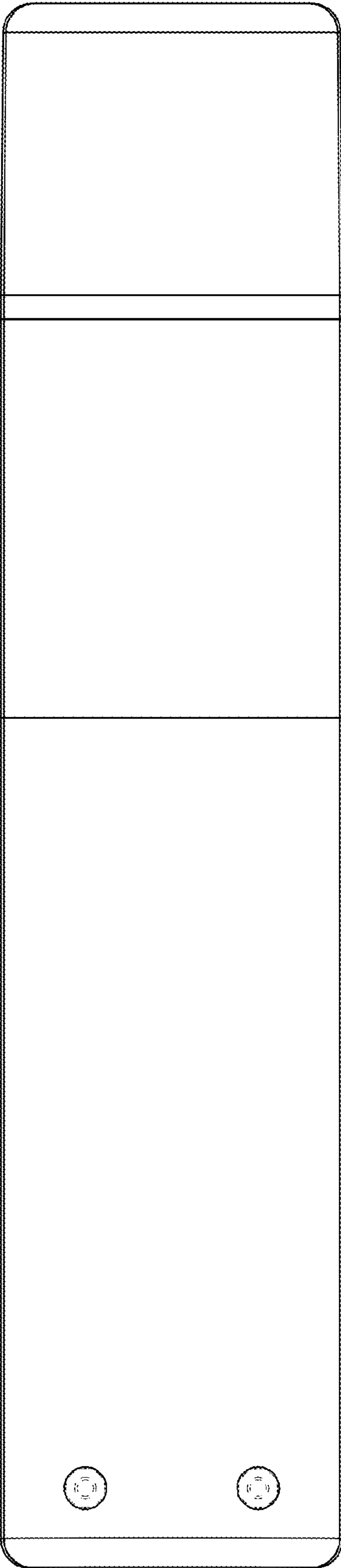


FIG. 2

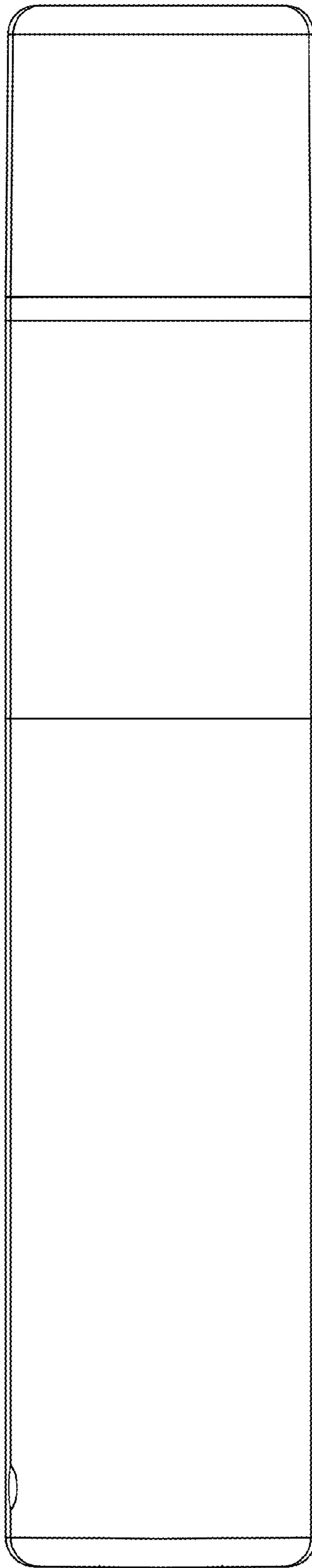


FIG. 3

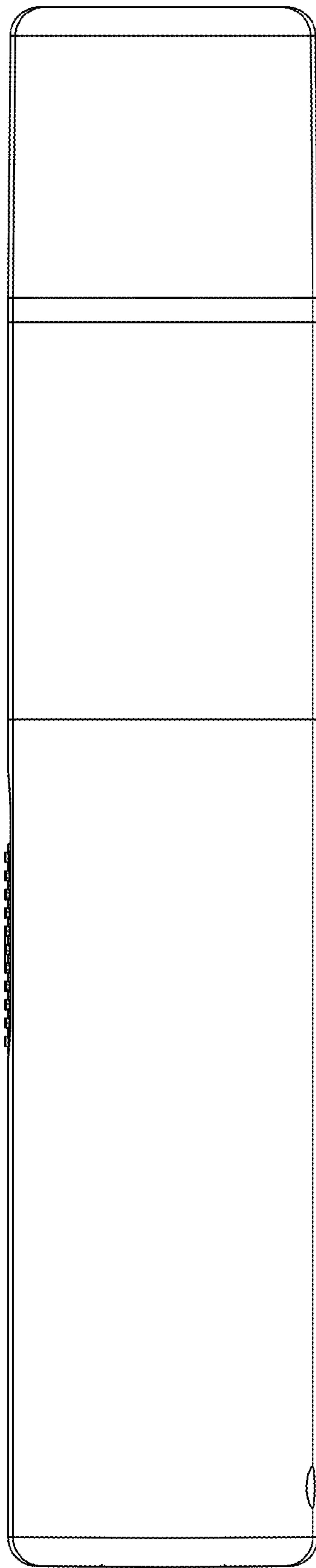


FIG. 4

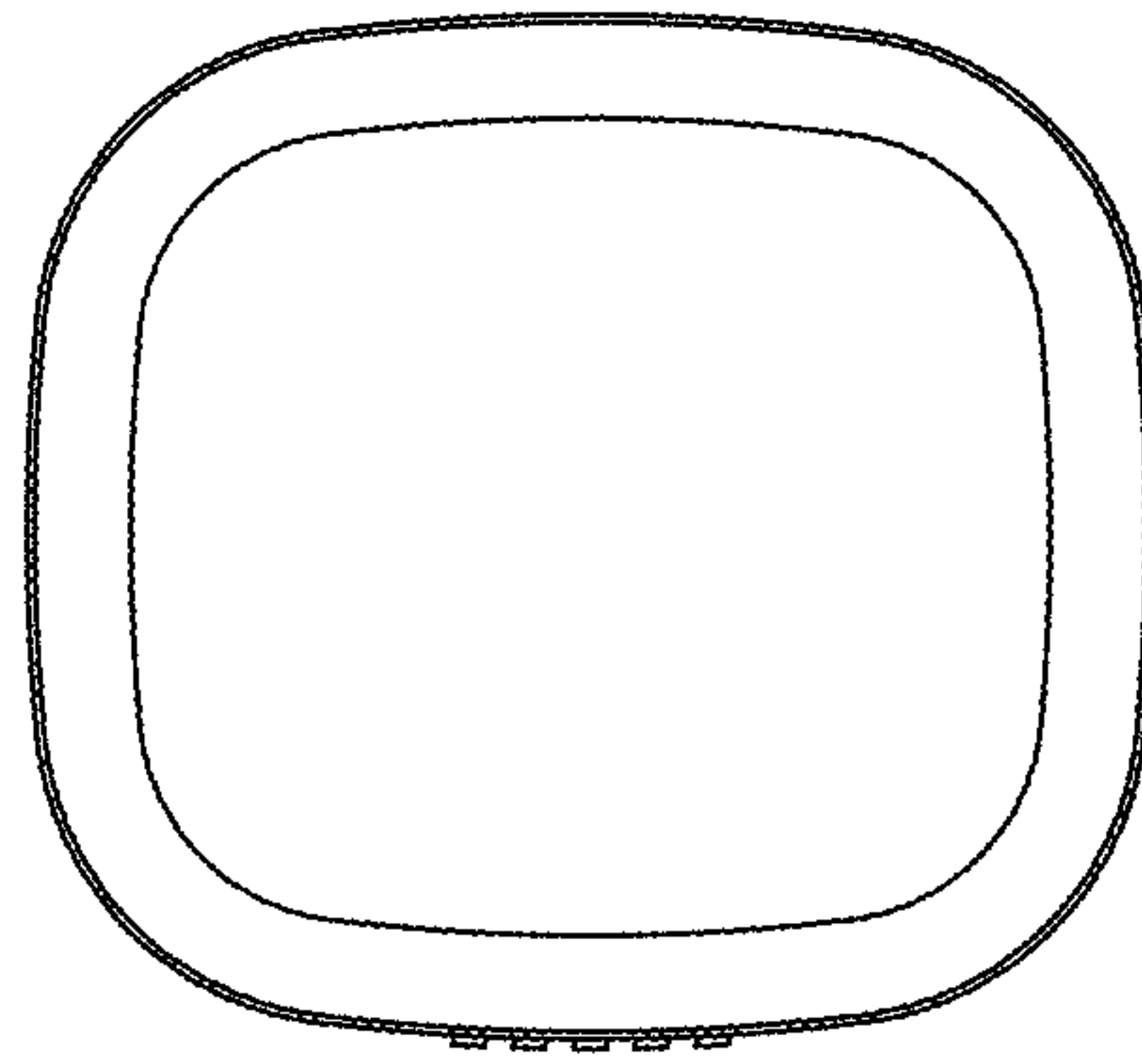


FIG. 5

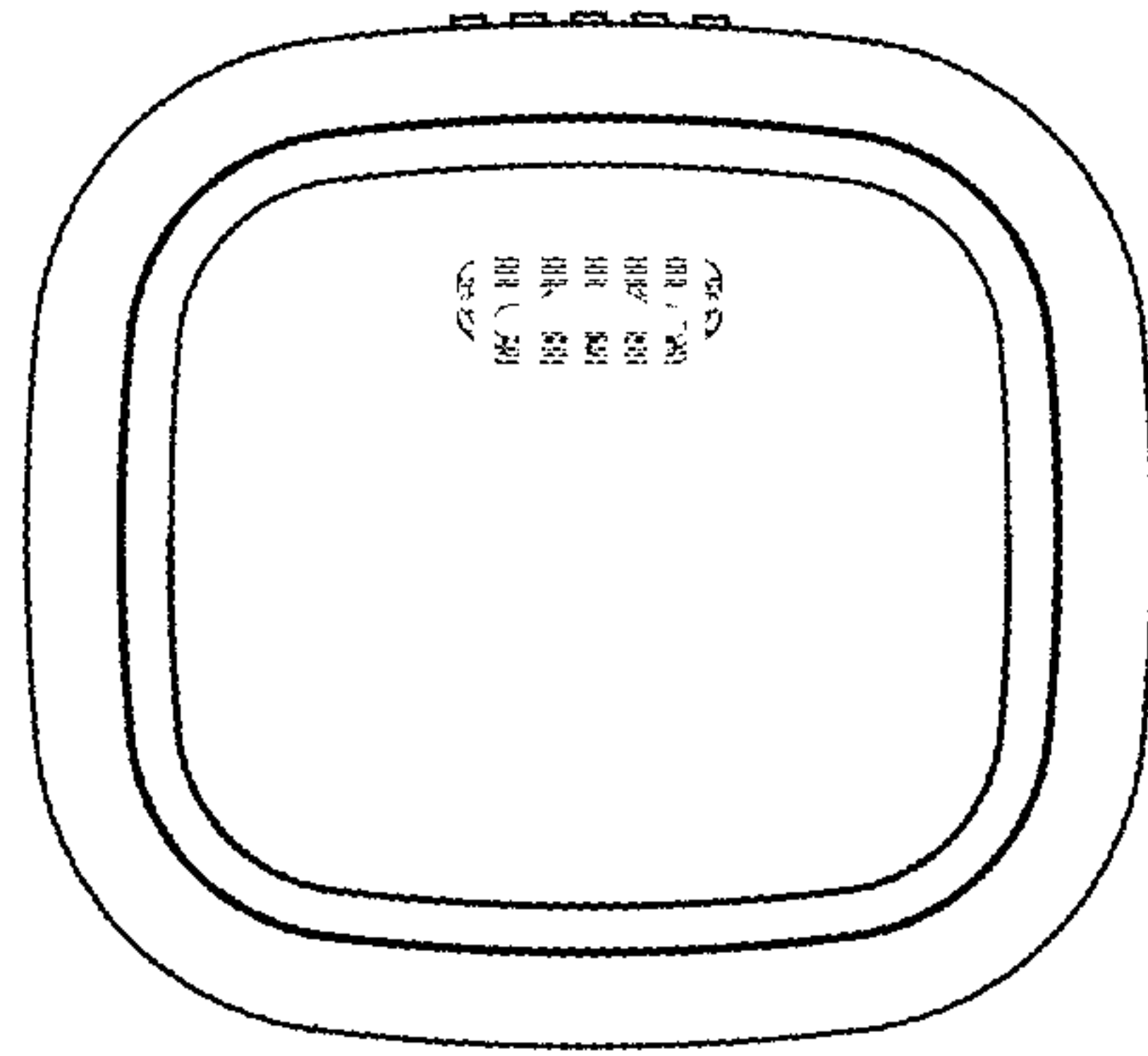


FIG. 6



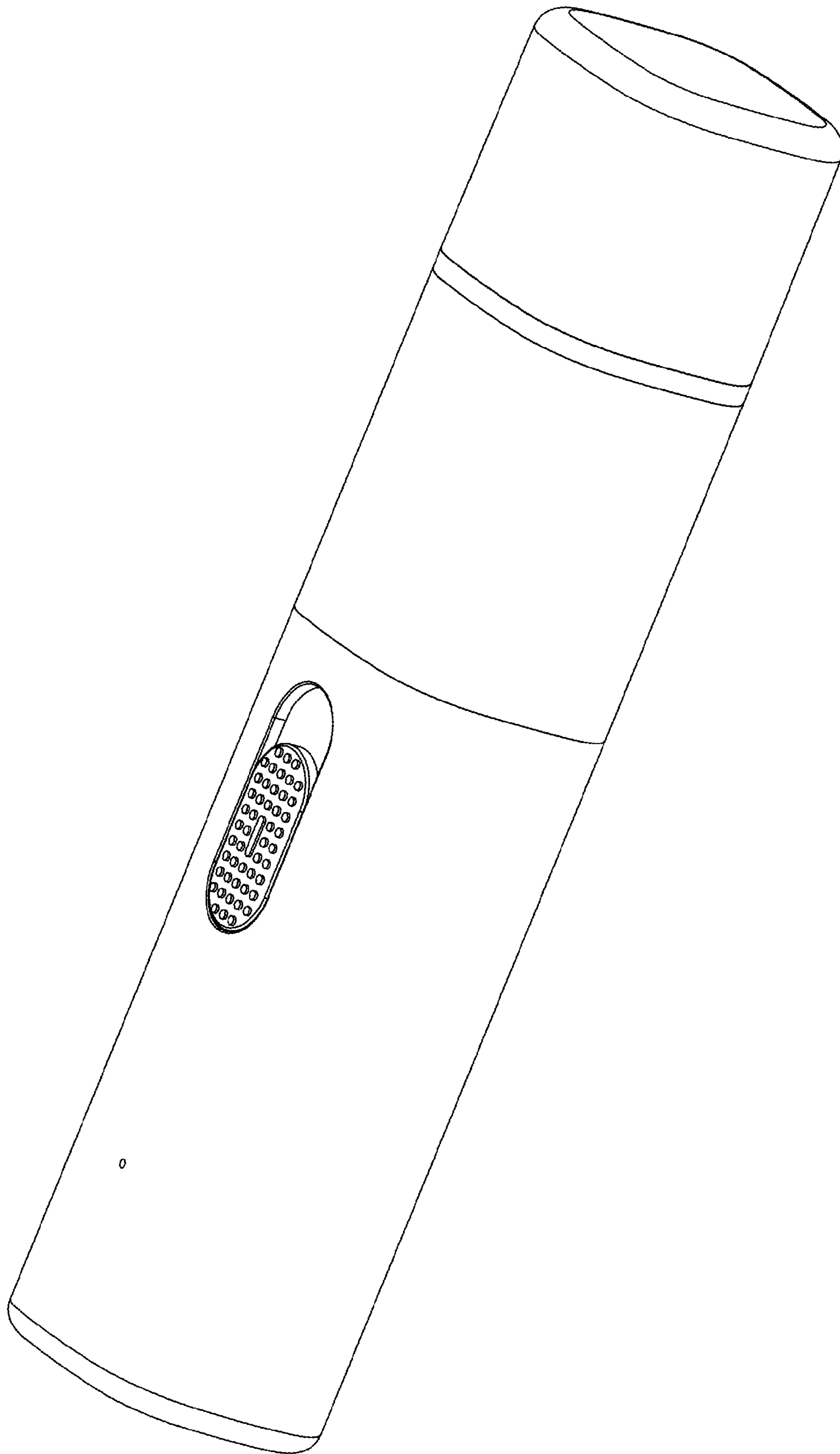


FIG. 7

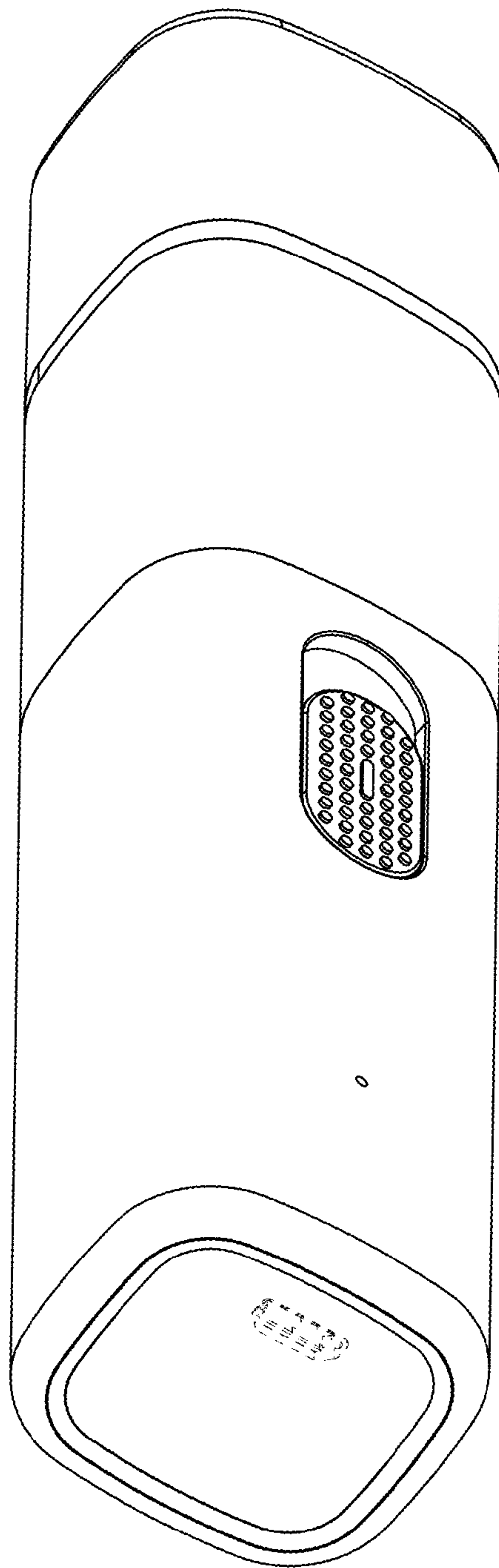


FIG. 8