



US00D942687S

(12) **United States Design Patent** (10) **Patent No.:** **US D942,687 S**
Langberg (45) **Date of Patent:** **** Feb. 1, 2022**

(54) **ARTICULATING BLADE ASSEMBLY FOR HAIR REMOVAL DEVICE**

FOREIGN PATENT DOCUMENTS

(71) Applicant: **Church & Dwight Co., Inc.**, Princeton, NJ (US)

CH 229244 10/1943
CN 204263191 4/2015

(Continued)

(72) Inventor: **Eric Langberg**, Milford, PA (US)

OTHER PUBLICATIONS

(73) Assignee: **Church & Dwight Co., Inc.**, Princeton, NJ (US)

Finishing Touch Flawless Nu Razor Portable Cordless Rechargeable Electric Razor [online], [site visited Jun. 2, 2021]. Available from internet, URL: <<https://www.amazon.com/Finishing-Touch-Flawless/dp/B087VB3QQP>> (Year: 2020).*

(**) Term: **15 Years**

(Continued)

(21) Appl. No.: **29/737,175**

(22) Filed: **Jun. 5, 2020**

Related U.S. Application Data

Primary Examiner — Cynthia Ramirez

Assistant Examiner — Xavier Marti-Santos

(63) Continuation-in-part of application No. 29/713,697, filed on Nov. 18, 2019.

(74) *Attorney, Agent, or Firm* — Womble Bond Dickinson (US) LLP

(51) **LOC (13) Cl.** **28-03**

(57) **CLAIM**

(52) **U.S. Cl.**
USPC **D28/54**

The ornamental design for an articulating blade assembly for hair removal device, as shown and described.

(58) **Field of Classification Search**
USPC D28/49–54
CPC B26B 19/00; B26B 19/02; B26B 19/04; B26B 19/042; B26B 19/044; B26B 19/046; B26B 19/048; B26B 19/06; B26B 19/063; B26B 19/066; B26B 19/08; B26B 19/10; B26B 19/102; B26B 19/105; B26B 19/107; B26B 19/12; B26B 19/20; B26B 19/205; B26B 19/22; B26B 19/24; B26B 19/26; B26B 19/265; B26B 19/3806; B26B

(Continued)

DESCRIPTION

FIG. 1 is a front perspective view of an articulating blade assembly for hair removal device of the present invention showing my new design;
FIG. 2 is a front view thereof;
FIG. 3 is a back view thereof;
FIG. 4 is a side view thereof;
FIG. 5 is another side view, rotated 180 degrees relative to FIG. 4;
FIG. 6 is a top plan view thereof; and,
FIG. 7 is a bottom plan view thereof.
The broken lines in the figures are for the purpose of illustrating portions of the articulating blade assembly for hair removal device, which form no part of the claimed design.

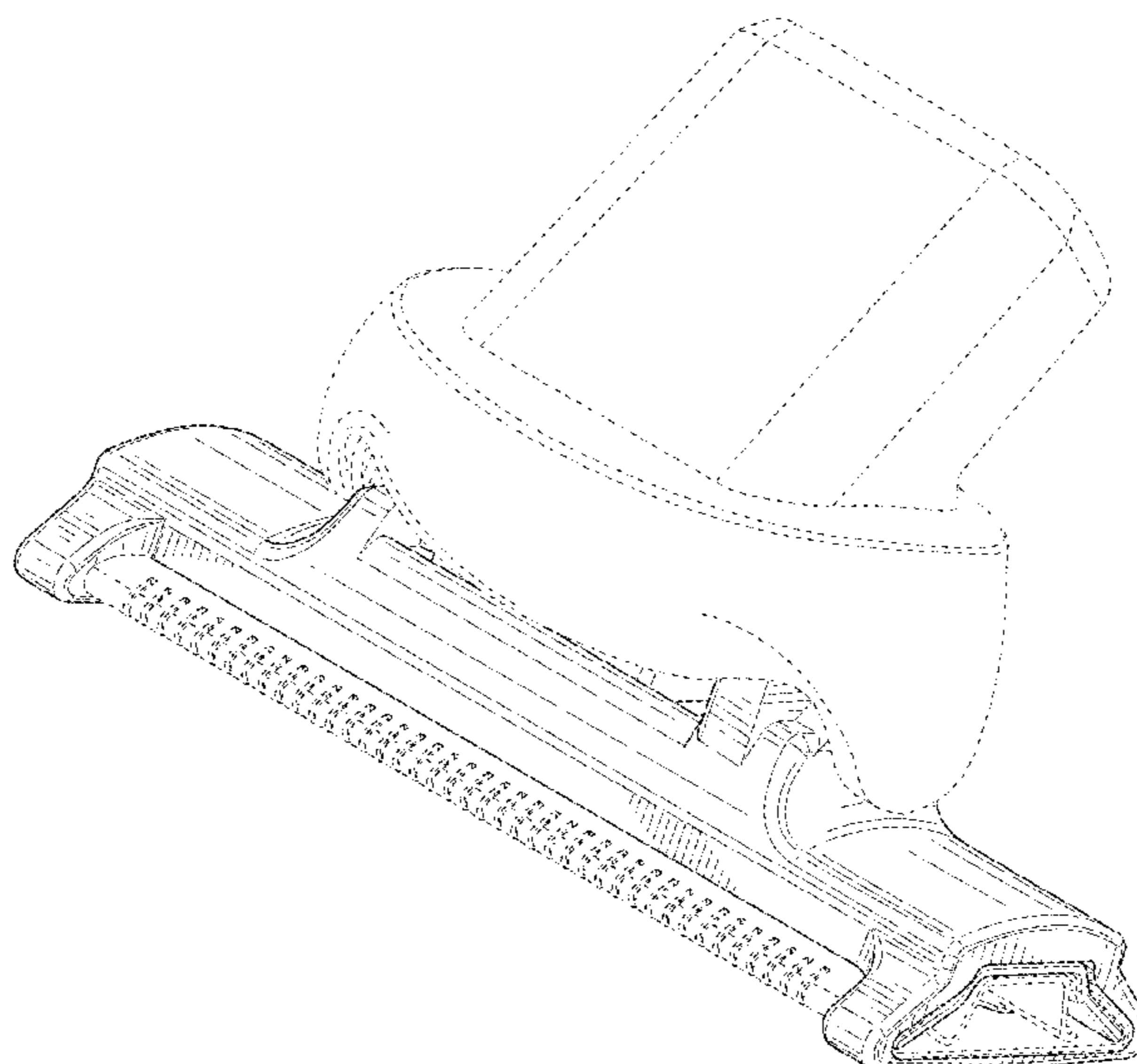
(56) **References Cited**

U.S. PATENT DOCUMENTS

2,141,582 A 12/1938 Wimberger
2,151,965 A 3/1939 Hanley

(Continued)

1 Claim, 7 Drawing Sheets



(58) **Field of Classification Search**
 CPC 19/3813; B26B 19/382; B26B 19/3826;
 B26B 19/3893; B26B 19/42
 See application file for complete search history.

(56) **References Cited**

U.S. PATENT DOCUMENTS

2,181,038	A	11/1939	Wimberger
2,251,577	A	8/1941	Rand, Jr.
2,609,602	A	9/1952	Harshberger
3,144,714	A	8/1964	Beisma
3,274,682	A	9/1966	Worthington
D219,699	S	1/1971	Poisson
3,636,627	A	1/1972	Tiffin
D230,219	S	1/1974	Glaberson et al.
4,037,322	A	7/1977	Bresler
4,083,102	A	4/1978	Harshberger
D276,562	S	11/1984	Mizobata et al.
4,744,144	A	5/1988	Lowery, Sr. et al.
4,819,330	A	4/1989	Fenn et al.
4,914,816	A	4/1990	Fenn et al.
D311,971	S	11/1990	Faerber
5,007,169	A	4/1991	Motta
D361,637	S	8/1995	Miskin
5,579,581	A	12/1996	Melton
5,606,799	A	3/1997	Melton
D437,661	S	2/2001	Pinchuk
D506,034	S	6/2005	Cornelissen
6,966,116	B2	11/2005	Peter et al.
7,028,405	B2	4/2006	Paas et al.
7,103,980	B2	9/2006	Leventhal
7,325,311	B2	2/2008	Shimizu
7,464,471	B2	12/2008	Fukutani et al.
D593,254	S	5/2009	Tamsiran
7,654,003	B2	2/2010	Simms et al.
D646,438	S	10/2011	Leventhal et al.
8,136,250	B2	3/2012	Floessholzer
8,141,254	B2	3/2012	Shimizu
D657,912	S	4/2012	Yoon
8,458,908	B2	6/2013	Fischer et al.
8,590,162	B2	11/2013	Park et al.
D713,994	S	9/2014	Grabes et al.
D751,252	S	3/2016	Grabes et al.
D758,016	S	5/2016	Andersson
D758,661	S	6/2016	Andersson
D758,662	S	6/2016	De Klein
9,381,655	B2	7/2016	Lau
D776,878	S *	1/2017	Andersson D28/54
9,950,435	B2	4/2018	Binder
D824,106	S	7/2018	Teteak
D824,107	S	7/2018	Teteak
D827,933	S	9/2018	Teteak
D828,627	S *	9/2018	Szymanski D28/51
10,081,114	B2	9/2018	Sablatschan
D836,247	S	12/2018	Van Maanen et al.
D849,325	S *	5/2019	Szymanski D28/51
10,406,702	B2	9/2019	Vredeveld et al.
10,421,203	B2	9/2019	Perez Lopez et al.
10,434,670	B2	10/2019	Lev
10,449,682	B2	10/2019	Eijkelkamp et al.
10,486,316	B2	11/2019	Erndt et al.
D873,490	S *	1/2020	Khubani D28/51
D884,973	S *	5/2020	Khubani D28/51
D891,696	S *	7/2020	Van Maanen D28/44
D912,322	S *	3/2021	Cociffi D28/44.1
D912,898	S *	3/2021	Kling D28/44.1
D914,977	S	3/2021	Szymanski et al.
D914,978	S *	3/2021	Langberg D28/51
2005/0034307	A1	2/2005	Brzezinski
2008/0250645	A1	10/2008	Tringali et al.
2009/0056139	A1	3/2009	Royle
2012/0103928	A1 *	5/2012	Jessemey A45D 27/00 215/378
2012/0151774	A1	6/2012	Shimizu et al.
2012/0304467	A1	12/2012	Garden, Jr.
2013/0192068	A1	8/2013	Kammer et al.

2013/0312264	A1	11/2013	Cohen
2015/0158192	A1	6/2015	Tucker et al.
2016/0059428	A1	3/2016	Lau
2016/0271814	A1	9/2016	Bennik et al.
2017/0008182	A1	1/2017	Tucker et al.
2017/0144319	A1	5/2017	Sablatschan
2017/0173804	A1	6/2017	Worth
2017/0190063	A1 *	7/2017	Schratter B26B 19/042
2018/0085940	A1	3/2018	Krauss et al.
2018/0085945	A1	3/2018	Bady et al.
2018/0085951	A1	3/2018	Krauss et al.
2018/0104834	A1	4/2018	Zuidervaart et al.
2018/0257248	A1	9/2018	Wu
2018/0326602	A1	11/2018	Khubani et al.
2019/0176355	A1	6/2019	Mazarakis et al.
2019/0299453	A1	10/2019	Bourque et al.
2019/0299466	A1	10/2019	Goeder et al.
2019/0299473	A1	10/2019	Johnson et al.
2019/0299474	A1	10/2019	Bourque et al.
2019/0299477	A1	10/2019	Johnson et al.
2019/0315006	A1	10/2019	Park et al.
2020/0061856	A1	2/2020	Musallam et al.
2020/0376695	A1	12/2020	Feijen et al.
2021/0023729	A1 *	1/2021	Langberg B26B 19/3873
2021/0129364	A1 *	5/2021	Langberg B26B 21/4031

FOREIGN PATENT DOCUMENTS

CN	205111905	3/2016
CN	206066504	4/2017
CN	106808504	6/2017
CN	107088895	8/2017
CN	107186759	9/2017
CN	304276517	9/2017
CN	206633052	11/2017
CN	304428668	12/2017
CN	206869919	1/2018
CN	206869923	1/2018
CN	206913195	1/2018
CN	304561859	3/2018
CN	304561861	3/2018
CN	207273272	4/2018
CN	207402820	5/2018
CN	207824944	9/2018
CN	208051971	11/2018
CN	208246876	12/2018
CN	109366531	2/2019
CN	109822627	5/2019
CN	208812155	5/2019
CN	104647417	6/2019
CN	109866258	6/2019
CN	209175783	7/2019
CN	110091364	8/2019
CN	110154093	8/2019
CN	110154094	8/2019
CN	305368569	9/2019
CN	305377844	10/2019
CN	305377845	10/2019
CN	305394347	10/2019
CN	306192768	* 4/2020
DE	20 2016 100999	3/2016
EM	006276119-0001	3/2019
EM	006542189-0001	9/2019
EM	006542619-0001	9/2019
EM	007798319-0006	* 4/2020
EM	008285407-0001	* 6/2020
EP	1 763 422	11/2007
EP	1 644 162	5/2008
EP	1 732 736	12/2008
EP	1 866 129	11/2009
EP	1 963 057	3/2011
EP	1 536 928	1/2012
EP	2 227 359	2/2013
EP	2 875 916	5/2015
EP	2 804 723	4/2016
EP	2 747 958	9/2016
EP	2 747 962	9/2016
EP	3 071 375	9/2016
EP	3 046 736	3/2017

(56)

References Cited

FOREIGN PATENT DOCUMENTS

EP	3 049 219	3/2017
EP	3 052 281	5/2017
EP	3 052 278	3/2018
EP	3 131 711	3/2018
EP	3 131 715	3/2018
EP	3 071 376	5/2018
EP	3 131 713	6/2018
EP	3 131 714	6/2018
EP	3 131 716	6/2018
EP	3 142 834	7/2018
EP	3 240 658	8/2018
EP	3 388 207	10/2018
EP	3 388 208	10/2018
EP	3 388 209	10/2018
EP	3 409 432	12/2018
EP	3 415 288	12/2018
EP	2 857 154	2/2019
EP	3 052 279	2/2019
EP	3 052 280	3/2019
EP	3 450 119	3/2019
EP	3 461 602	4/2019
EP	3 466 619	4/2019
EP	3 052 277	5/2019
EP	3 164 249	5/2019
EP	3 131 712	6/2019

EP	3 071 374	8/2019
EP	3 288 727	9/2019
EP	3 194 125	11/2019
EP	3 261 810	4/2020
EP	3 297 797	4/2020
GB	9008285407-0002	* 11/2020
JP	H06-154435	6/1994
JP	D160618	4/2018
JP	D1642657	9/2019
JP	D1679398	* 4/2020
KR	3010982000006	* 4/2020
WO	WO 2018/068353	4/2018
WO	WO 2018/157113	8/2018
WO	WO 2018/227319	12/2018
WO	WO 2019/018104	1/2019
WO	WO 2019/110335	6/2019

OTHER PUBLICATIONS

NOOA Cordless Rechargeable Hair Trimmer [online], [site visited Jun. 2, 2021]. Available from internet, URL: <<https://www.amazon.com/dp/B083DST87X/>> (Year: 2020).*
<https://www.ultra.com/flawless-nu-razor?productid-pimprod2017011> Flawless Nu Razor, www.ultra.com, 1 page, reviewed as early as 6, 2020 (Year: 2020).

* cited by examiner

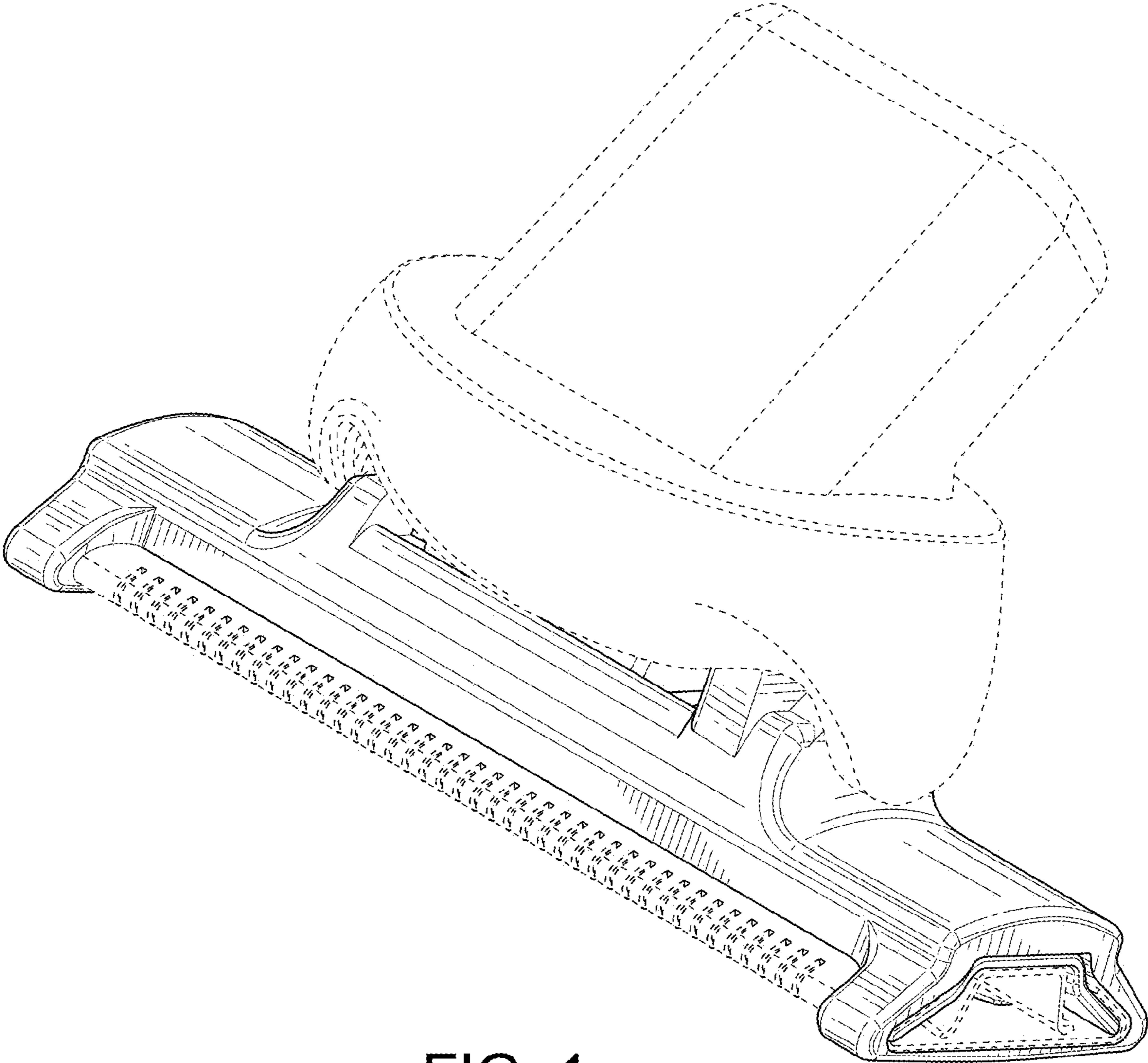


FIG. 1

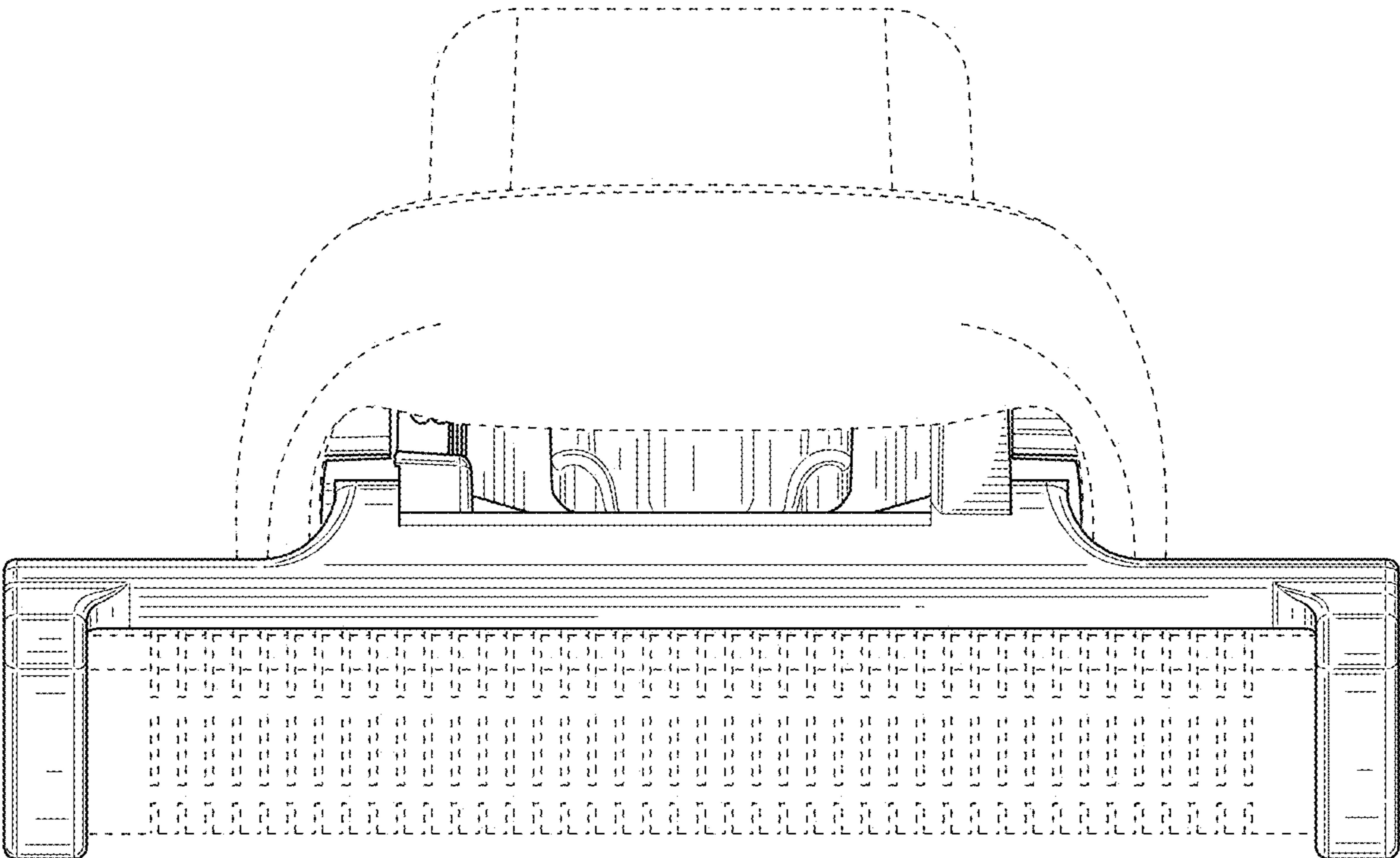


FIG. 2

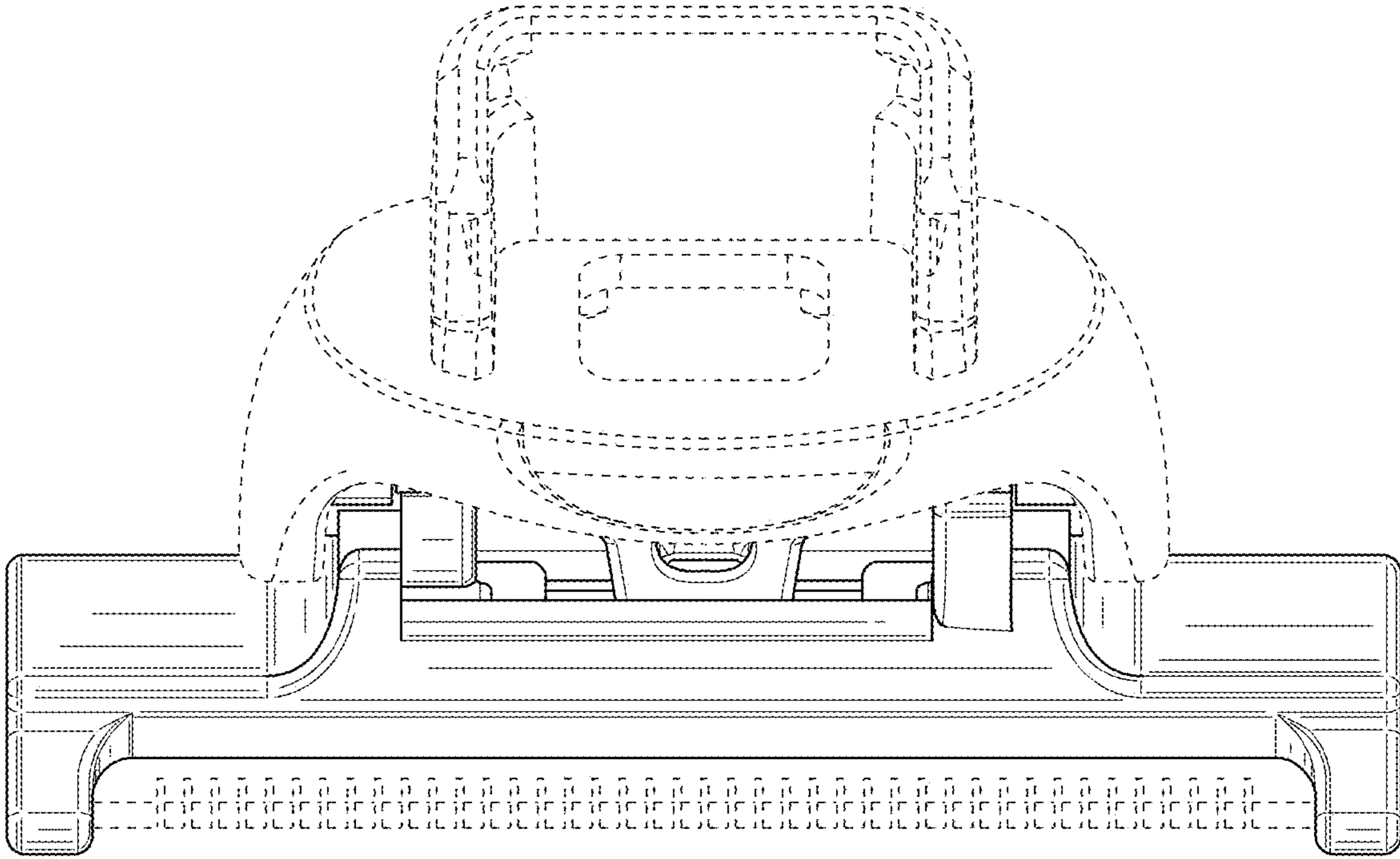


FIG. 3

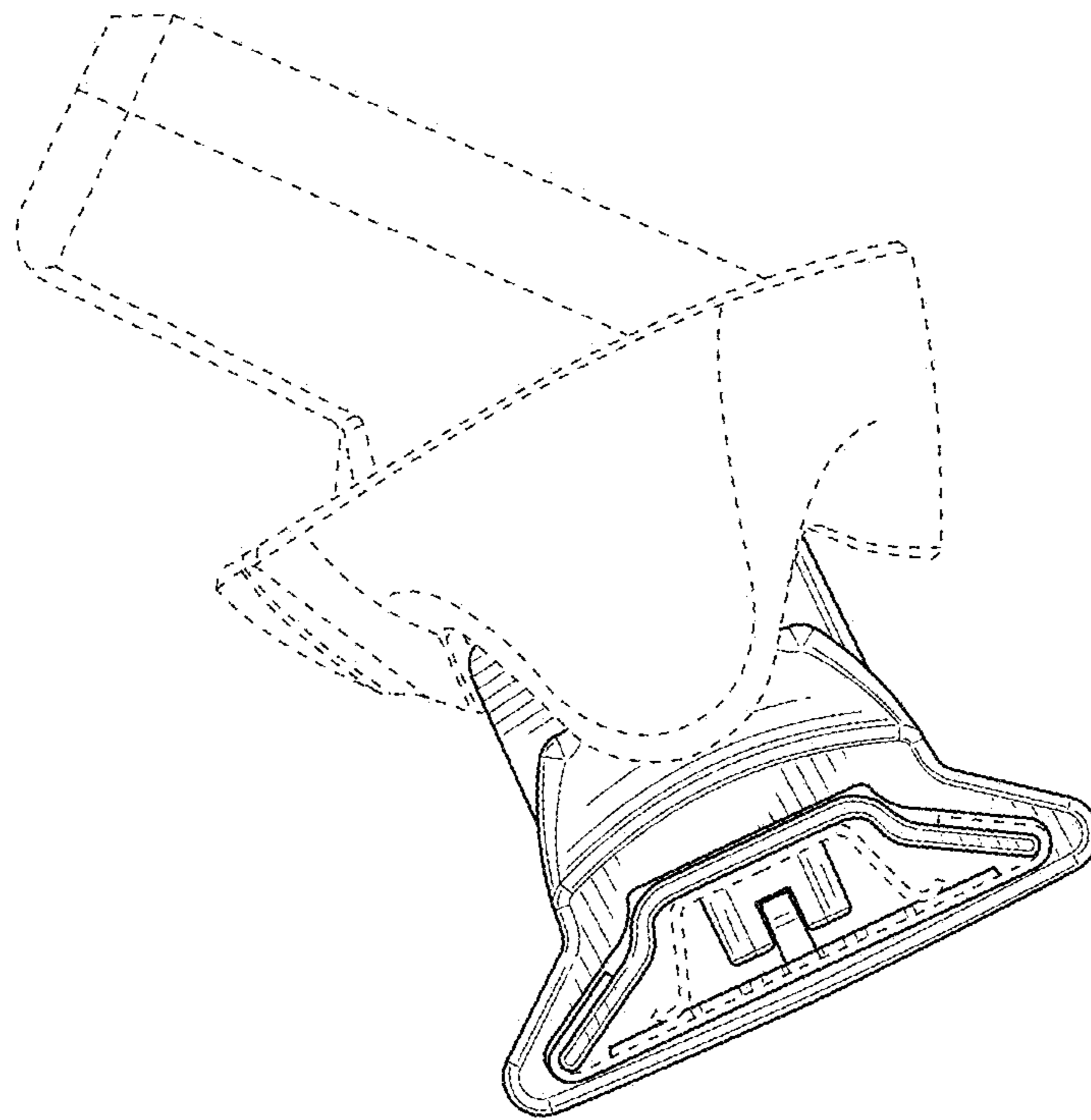


FIG. 4

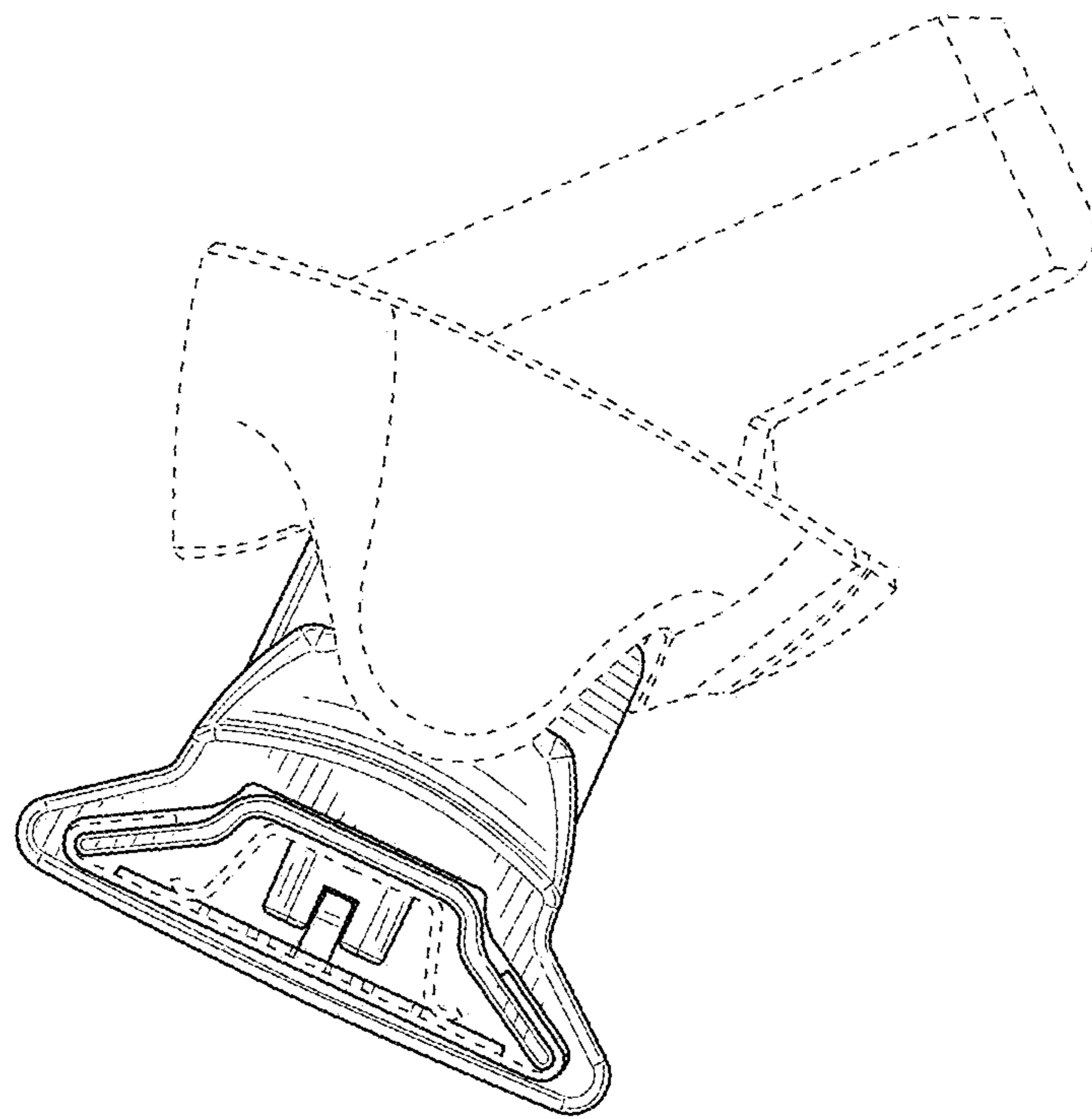


FIG. 5

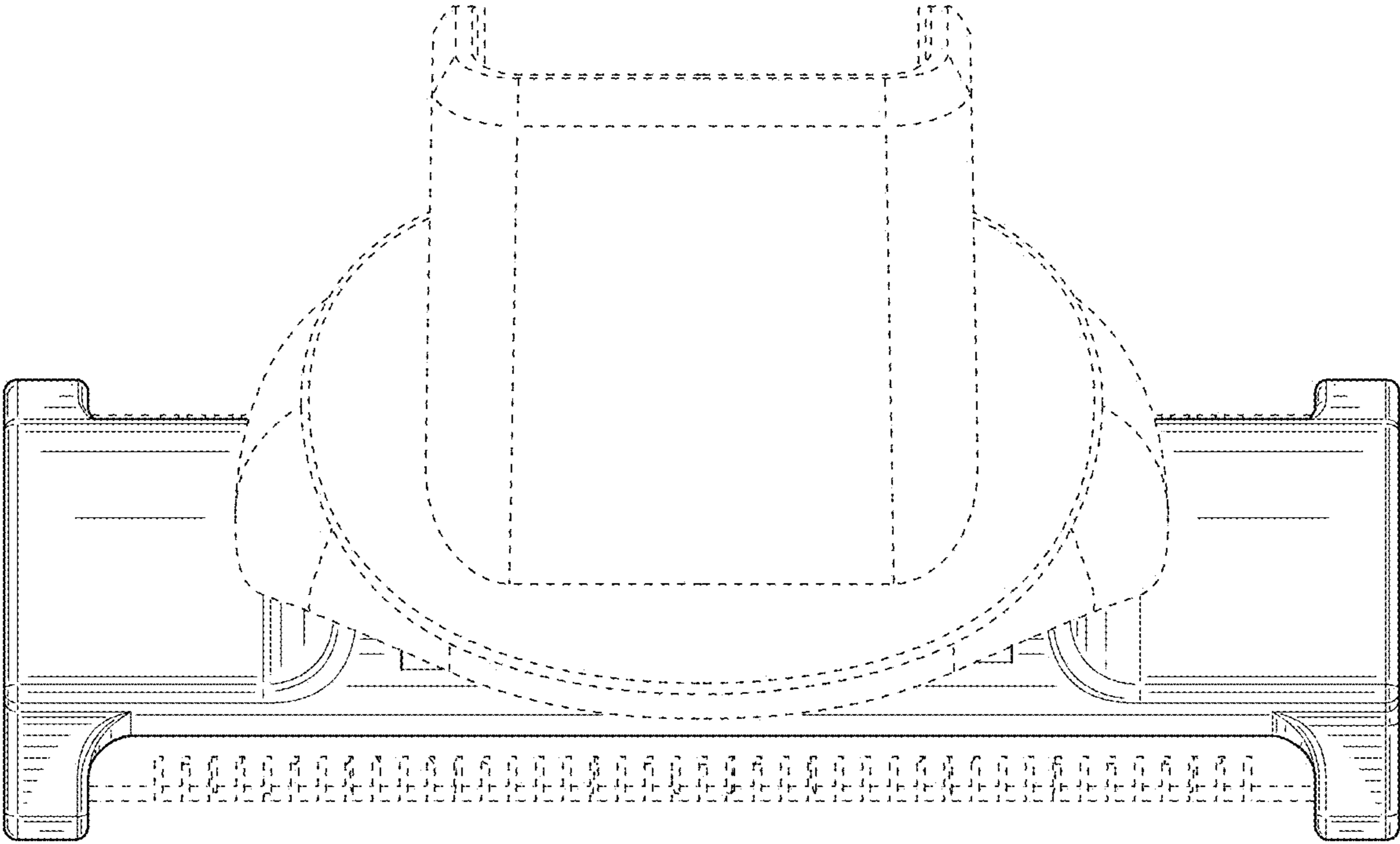


FIG. 6

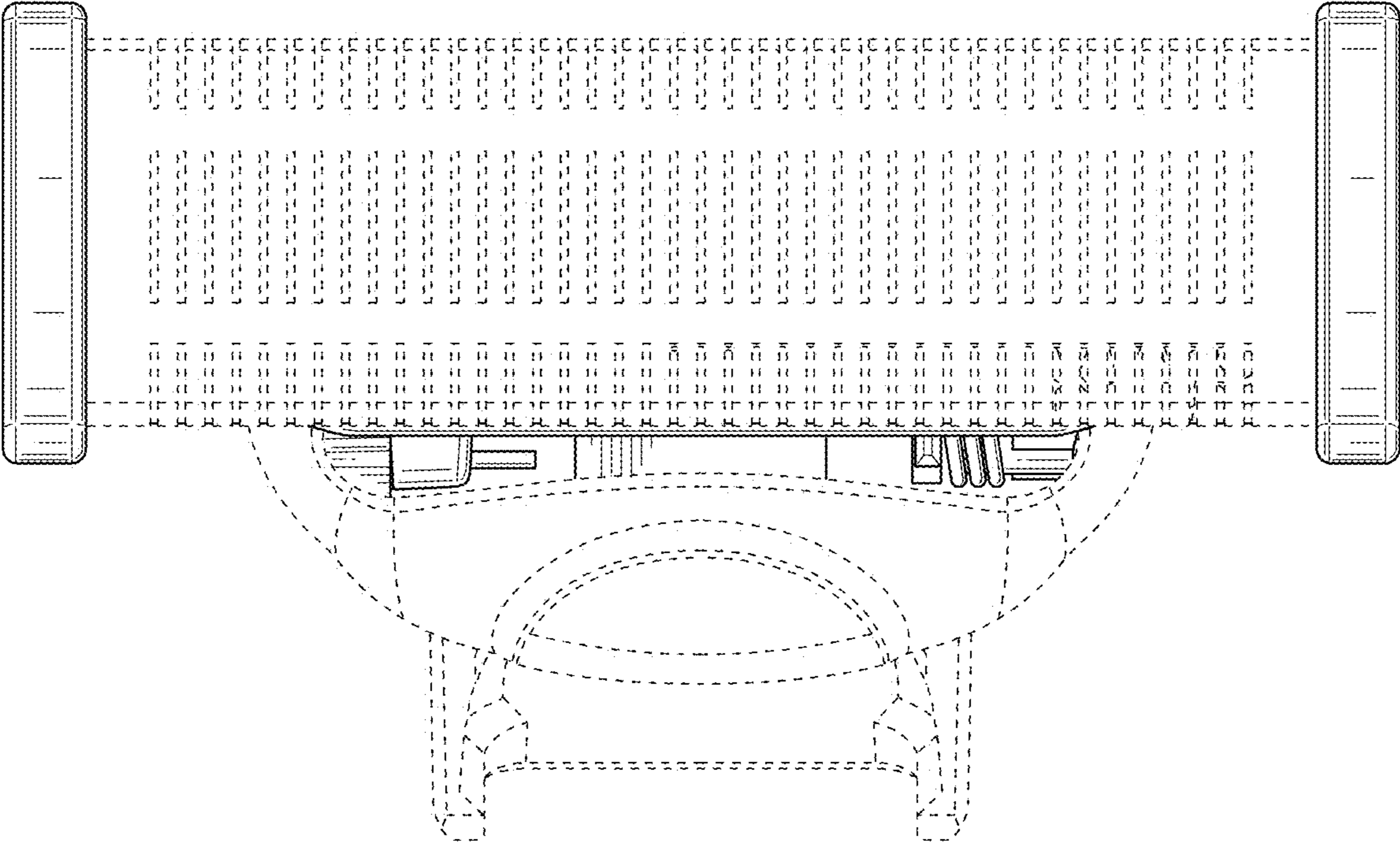


FIG. 7