



US00D942686S

(12) **United States Design Patent** (10) **Patent No.:** **US D942,686 S**  
**Goeder et al.** (45) **Date of Patent:** **\*\* Feb. 1, 2022**

(54) **HAIR REMOVAL DEVICE**  
(71) Applicant: **Braun GmbH**, Kronberg (DE)  
(72) Inventors: **Philipp Goeder**, Frankfurt (DE);  
**Gregor Ptok**, Frankfurt (DE);  
**Bernhard Sikora**, Kelkheim (DE);  
**Wolfgang Stegmann**, Frankfurt (DE)  
(73) Assignee: **Braun GMBH**, Kronberg (DE)  
(\*\*) Term: **15 Years**  
(21) Appl. No.: **29/781,642**  
(22) Filed: **Apr. 30, 2021**

D513,344 S \* 12/2005 Choi ..... D28/53  
D567,446 S 4/2008 Hara et al.  
D586,955 S \* 2/2009 Eigenstetter ..... D28/53  
D604,907 S \* 11/2009 Emminger ..... D28/53  
D628,745 S 12/2010 Dingelstad  
D648,895 S 11/2011 Ino  
D649,290 S 11/2011 Ino  
D657,912 S 4/2012 Yoon  
D689,242 S 9/2013 Grabes et al.  
D690,880 S 10/2013 Grabes et al.  
D696,458 S 12/2013 Ino  
D698,084 S \* 1/2014 Yoon ..... D28/53  
D698,492 S \* 1/2014 Grabes ..... D28/53  
D711,594 S 8/2014 Palmer et al.  
D713,994 S 9/2014 Grabes et al.

(Continued)

**Related U.S. Application Data**

(62) Division of application No. 29/709,111, filed on Oct. 11, 2019, now Pat. No. Des. 921,985, which is a division of application No. 29/598,471, filed on Mar. 27, 2017, now Pat. No. Des. 868,377.

**Foreign Application Priority Data**

Sep. 28, 2016 (WO) ..... 968861101  
Nov. 10, 2016 (WO) ..... 1336501

(51) **LOC (13) Cl.** ..... **28-03**  
(52) **U.S. Cl.**  
USPC ..... **D28/53**; D28/51  
(58) **Field of Classification Search**  
USPC ..... D28/49, 51, 53, 54  
CPC .. B26B 19/3853–3866; B26B 19/3886; B26B  
19/20; B26B 19/205; B26B 19/22; B26B  
19/00–107  
See application file for complete search history.

**References Cited**

**U.S. PATENT DOCUMENTS**

D356,185 S \* 3/1995 Rizzuto, Jr. .... D28/53  
D454,980 S \* 3/2002 Long ..... D28/53

**OTHER PUBLICATIONS**

<https://www.amazon.com/Braun-Trimmer-Cordless-Rechargeable-Clipper/dp/B07XZSN2N3?th=1> Braun Beard Trimmer BT3221, reviewed as early as May 2020, 1 page (Year: 2020).\*

(Continued)

*Primary Examiner* — Jennifer Rivard

(74) *Attorney, Agent, or Firm* — Brigitte Grab; Kevin C. Johnson

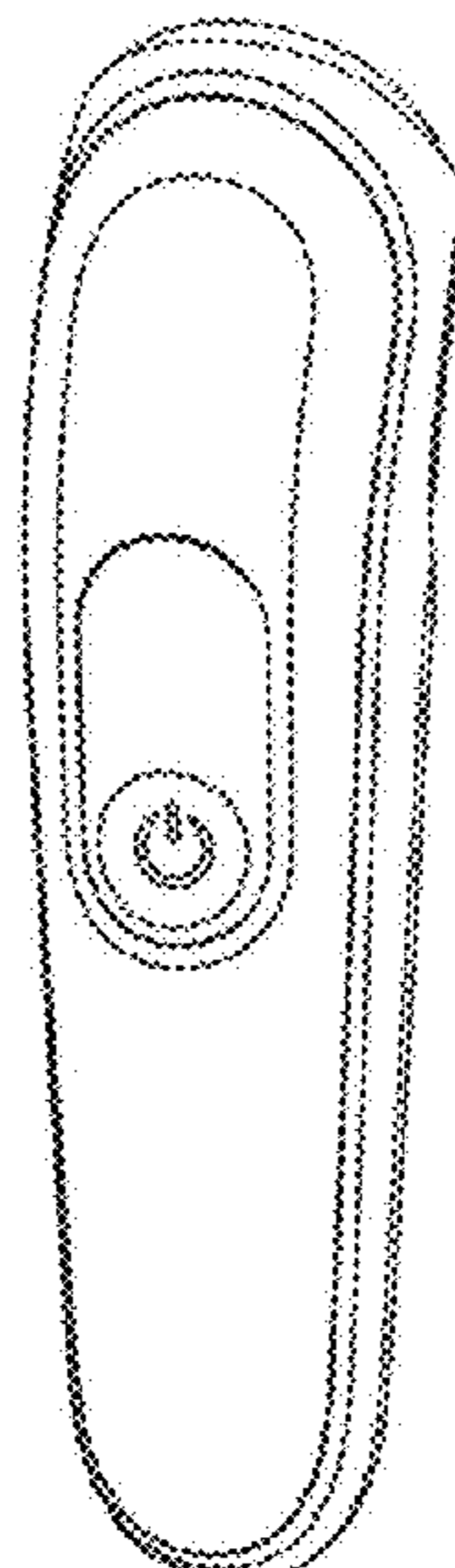
**CLAIM**

(57) The ornamental design for a hair removal device, as shown and described.

**DESCRIPTION**

FIG. 1 is a perspective view of a hair removal device;  
FIG. 2 is a front view thereof;  
FIG. 3 is a left side view thereof;  
FIG. 4 is a rear view thereof;  
FIG. 5 is a right side view thereof;  
FIG. 6 is a top plan view thereof; and,  
FIG. 7 is a bottom view thereof.

**1 Claim, 1 Drawing Sheet**



(56)

References Cited

U.S. PATENT DOCUMENTS

D717,996 S 11/2014 Kikuchi  
 D722,199 S 2/2015 Boulanger  
 D724,271 S 3/2015 Giannini  
 D733,358 S 6/2015 Palmer et al.  
 D751,252 S 3/2016 Grabes et al.  
 D752,811 S 3/2016 Okabe et al.  
 D753,342 S 4/2016 Okabe  
 D756,565 S 5/2016 Andersson  
 D760,437 S \* 6/2016 Emminger ..... D28/53  
 D763,509 S 8/2016 Teteak et al.  
 D767,207 S 9/2016 Dekliein  
 D768,391 S 10/2016 Kling et al.  
 D771,315 S \* 11/2016 Andersson ..... D28/53  
 D781,588 S 3/2017 Lee  
 D784,618 S \* 4/2017 Mori ..... D28/53  
 D799,118 S 10/2017 Ino  
 D800,965 S \* 10/2017 Aulwes ..... D28/53  
 D802,214 S 11/2017 Mintz et al.  
 D804,189 S 12/2017 Von Berg  
 D813,457 S 3/2018 Okabe et al.  
 D813,458 S 3/2018 Okabe et al.  
 D819,338 S 6/2018 Xiong  
 10,080,428 B2 9/2018 Kern  
 D829,445 S 10/2018 Kern  
 D851,835 S \* 6/2019 Gross ..... D28/53  
 D853,648 S \* 7/2019 Boulanger ..... D28/53  
 D866,072 S \* 11/2019 Chen ..... D28/53  
 D866,861 S 11/2019 Dawson et al.

D867,663 S \* 11/2019 Boulanger ..... D28/53  
 D868,377 S 11/2019 Goeder et al.  
 10,486,316 B2 11/2019 Erndt et al.  
 10,486,318 B2 11/2019 Bady et al.  
 D872,366 S \* 1/2020 Cociffi ..... D28/53  
 D879,377 S 3/2020 Dawson et al.  
 D883,573 S \* 5/2020 Cociffi ..... D28/53  
 10,702,999 B2 7/2020 Iaccarino et al.  
 D905,909 S \* 12/2020 Wang ..... D28/53  
 D908,962 S \* 1/2021 Tran ..... D28/51  
 2006/0010630 A1 1/2006 Tse  
 2012/0192436 A1 8/2012 Toy  
 2013/0023806 A1 1/2013 Ungemach et al.  
 2013/0097871 A1 4/2013 Yamaguchi et al.  
 2015/0314461 A1 11/2015 Man Wong et al.  
 2016/0031099 A1 2/2016 Provolo et al.  
 2016/0176058 A1 6/2016 Piesker et al.  
 2018/0085940 A1 3/2018 Krauss et al.  
 2018/0085945 A1 3/2018 Bady et al.  
 2018/0092449 A1 4/2018 Straka et al.  
 2018/0311842 A1 11/2018 Kraus et al.  
 2018/0319026 A1 11/2018 Hayashi et al.

OTHER PUBLICATIONS

Kemei Dry Shaver Brush, [www.cdn.shopify.com](http://www.cdn.shopify.com), 1 page, downloaded Dec. 2018 (Year: 2018).  
 Philips Series 7000, [www.philips.co.uk](http://www.philips.co.uk), 1 page, downloaded Dec. 2018 (Year: 2018).

\* cited by examiner

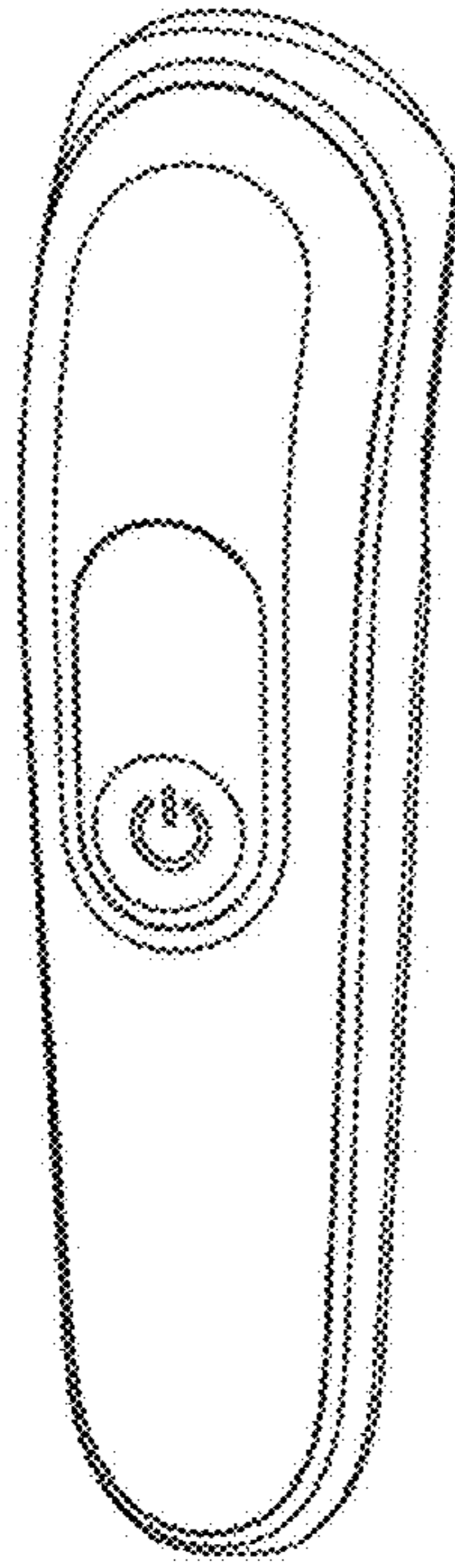


Fig. 1

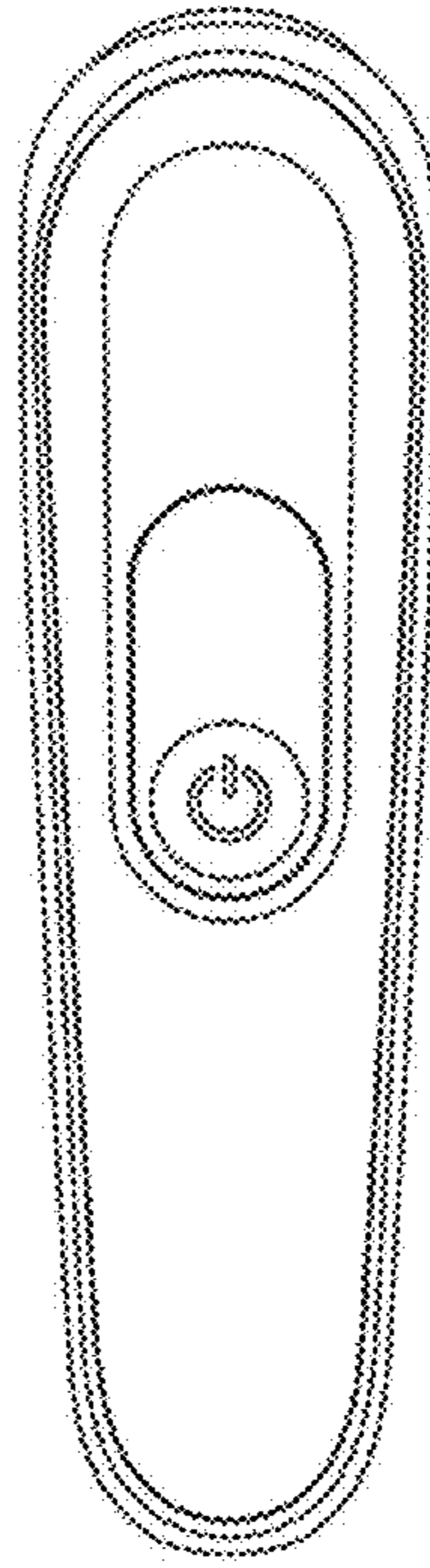


Fig. 2

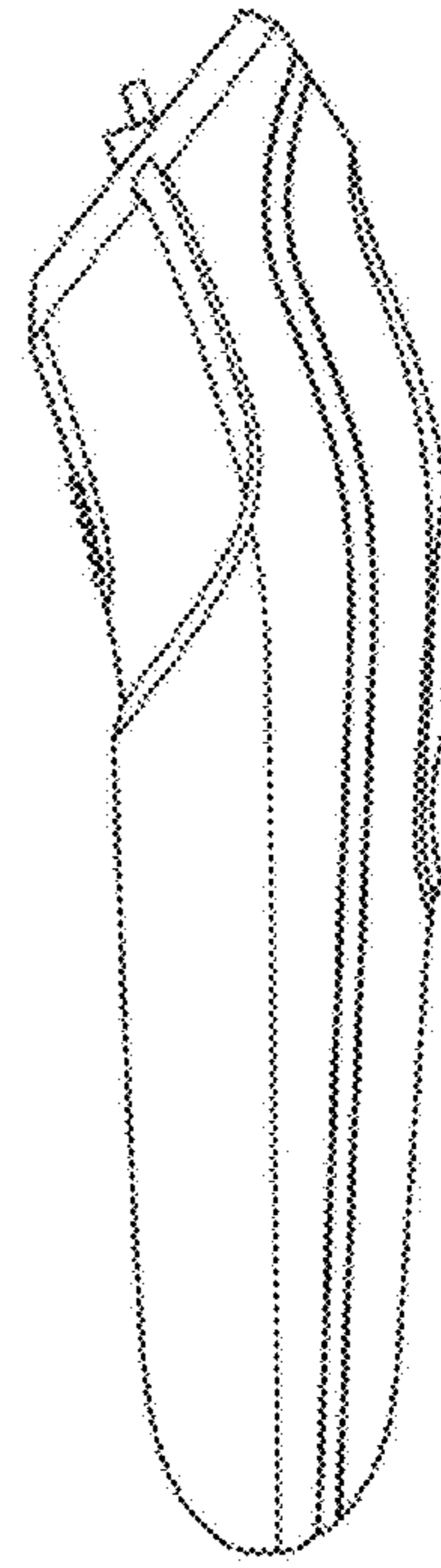


Fig. 3

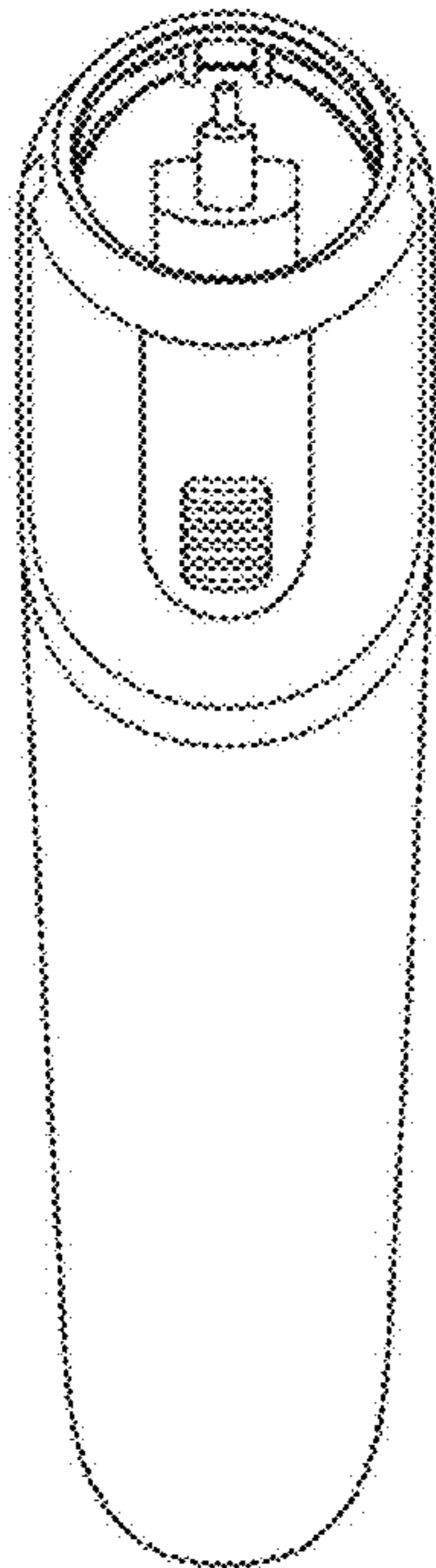


Fig. 4

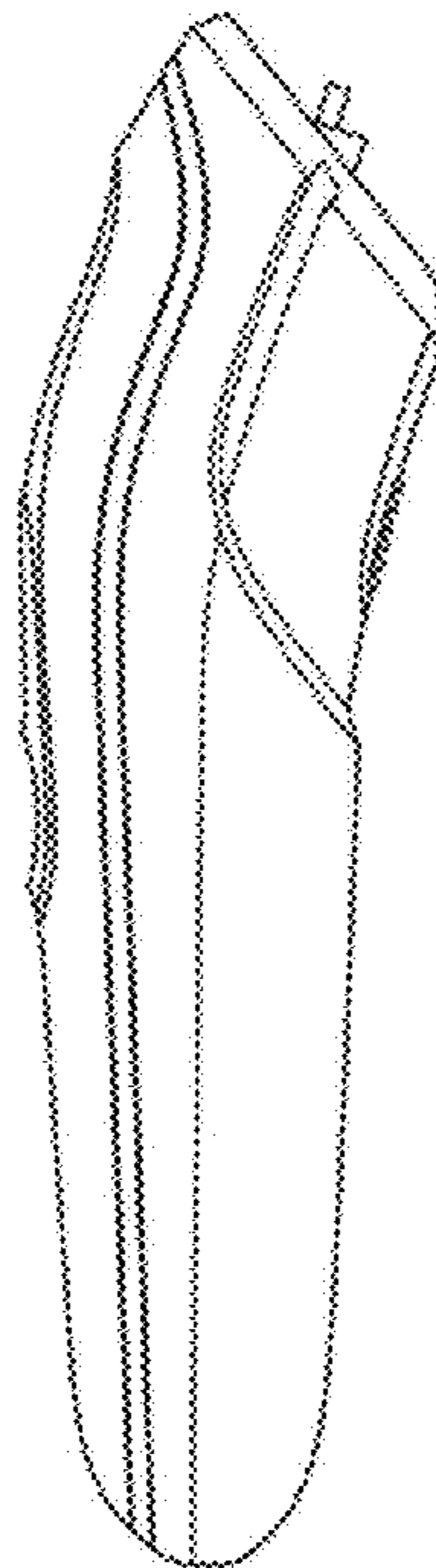


Fig. 5

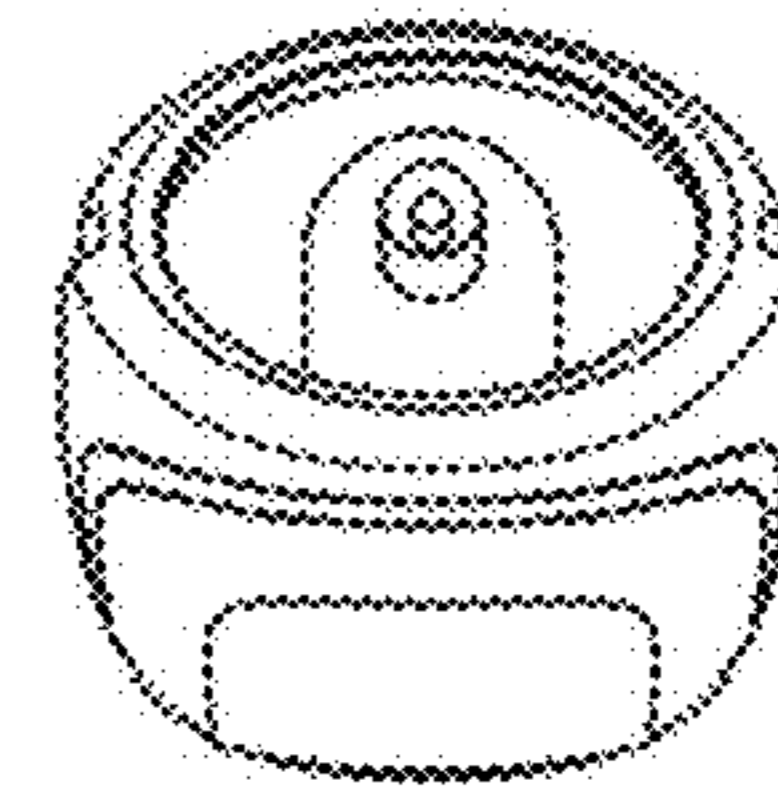


Fig. 6

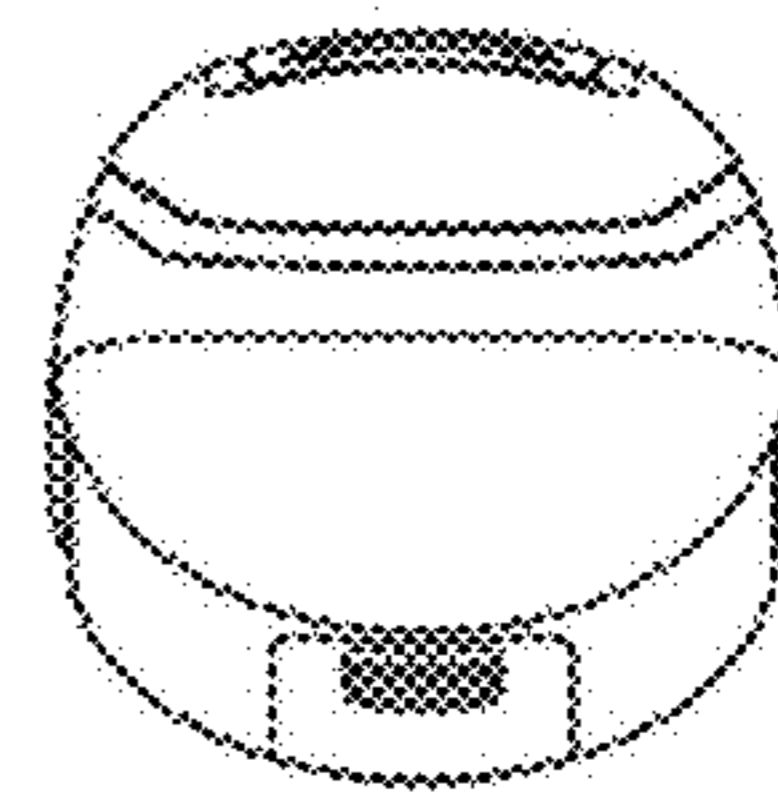


Fig. 7