



US00D942685S

(12) **United States Design Patent** (10) **Patent No.:** **US D942,685 S**
Howell et al. (45) **Date of Patent:** **** Feb. 1, 2022**

(54) **HAIR CLIPPER**

(71) Applicant: **LISTER SHEARING EQUIPMENT LIMITED**, Stonehouse (GB)

(72) Inventors: **Robin Howell**, Stonehouse (GB); **Jose Luis Beltran**, Stonehouse (GB)

(73) Assignee: **LISTER SHEARING EQUIPMENT LIMITED**, Stonehouse (GB)

(**) Term: **15 Years**

(21) Appl. No.: **29/705,525**

(22) Filed: **Sep. 12, 2019**

(30) **Foreign Application Priority Data**

Mar. 14, 2019 (GB) 6056682

(51) **LOC (13) Cl.** **28-03**

(52) **U.S. Cl.**
USPC **D28/53**

(58) **Field of Classification Search**
USPC D28/49-54; D30/158
CPC B26B 19/24; B26B 19/00-107; B26B 19/38-3826; B26B 19/384-48; B26B 19/20-24

See application file for complete search history.

(56) **References Cited**

U.S. PATENT DOCUMENTS

2,296,231	A	9/1942	Brookes	
2,296,236	A	9/1942	Musolf	
2,322,610	A	6/1943	Wilcox	
2,375,262	A	5/1945	Turner	
2,532,476	A	12/1950	Bartlett	
3,259,770	A *	7/1966	Mattson B26B 19/24 310/50
3,467,204	A	9/1969	Jenkinson	
4,094,065	A	6/1978	Geary	

4,291,462	A	9/1981	Corder	
4,785,537	A	11/1988	Moran	
8,359,755	B1	1/2013	Laube	
8,555,511	B2	10/2013	Moseman	
D705,485	S *	5/2014	Lin D28/53
D720,897	S	1/2015	Fancelli	
D827,946	S	9/2018	Leng	
D898,289	S *	10/2020	Howell D28/54
10,981,285	B2 *	4/2021	Howell B26B 19/046
2003/0101591	A1	6/2003	Romani et al.	
2003/0131480	A1	7/2003	Leung et al.	
2012/0216410	A1	8/2012	Beam	
2019/0329431	A1	10/2019	Howell et al.	
2019/0329432	A1	10/2019	Howell et al.	

OTHER PUBLICATIONS

Esquiladora portatil Fusion Shear, <https://www.youtube.com/watch?v=MITP3GE8X5c>, 2019, 1 page.

* cited by examiner

Primary Examiner — Jennifer Rivard
(74) *Attorney, Agent, or Firm* — Greer, Burns & Crain, Ltd

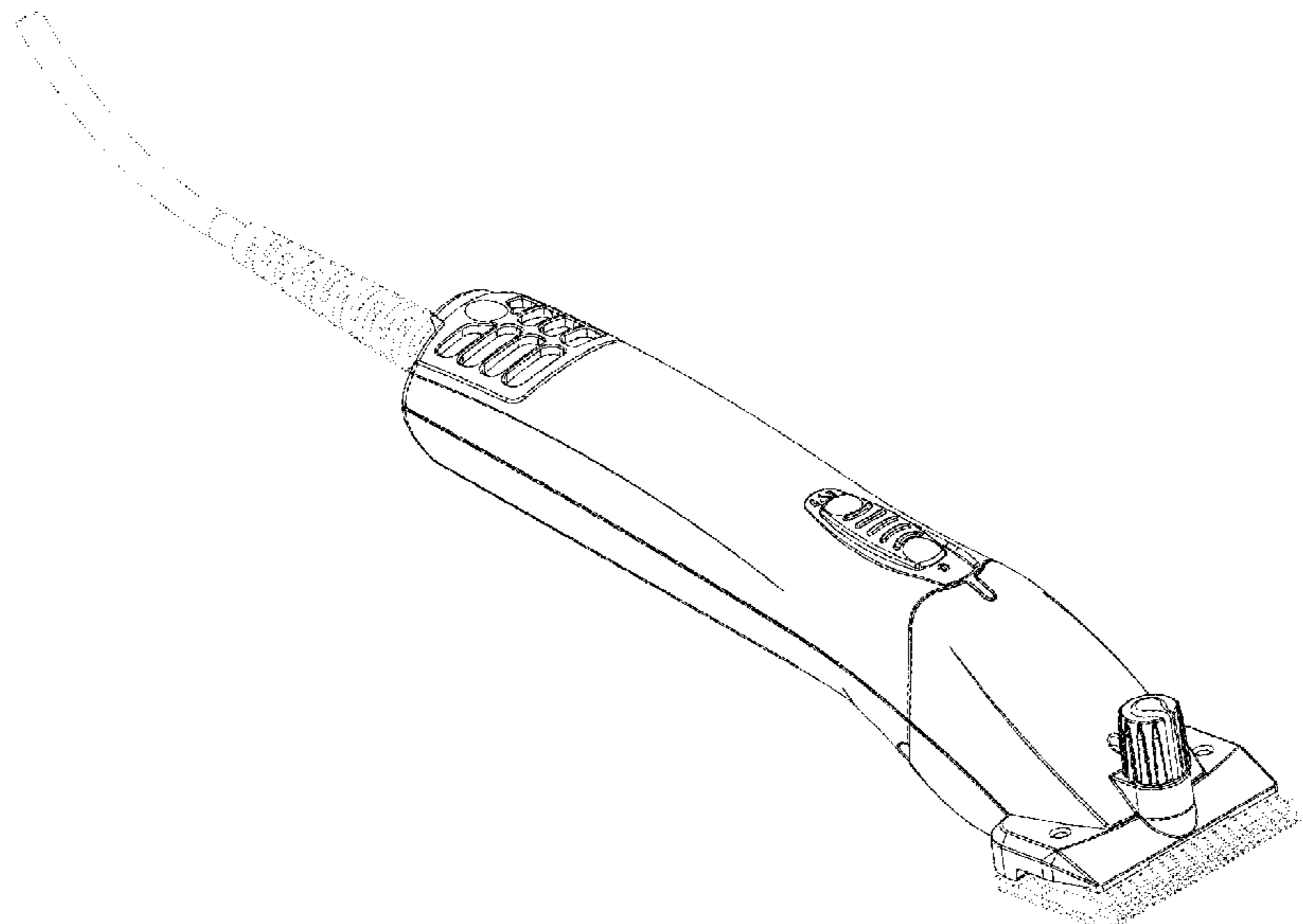
(57) **CLAIM**

The ornamental design for a hair clipper, as shown and described.

DESCRIPTION

FIG. 1 is a top perspective view of the present hair clipper; FIG. 2 is a front view left side view of the hair clipper of FIG. 1; FIG. 3 is a side view of same, both sides being mirror images of each other; FIG. 4 is a rear view of same; FIG. 5 is a top view of the hair clipper of FIG. 1; and, FIG. 6 is a bottom plan view of same. The broken lines illustrate portions of the hair clipper that form no part of the claimed design.

1 Claim, 3 Drawing Sheets



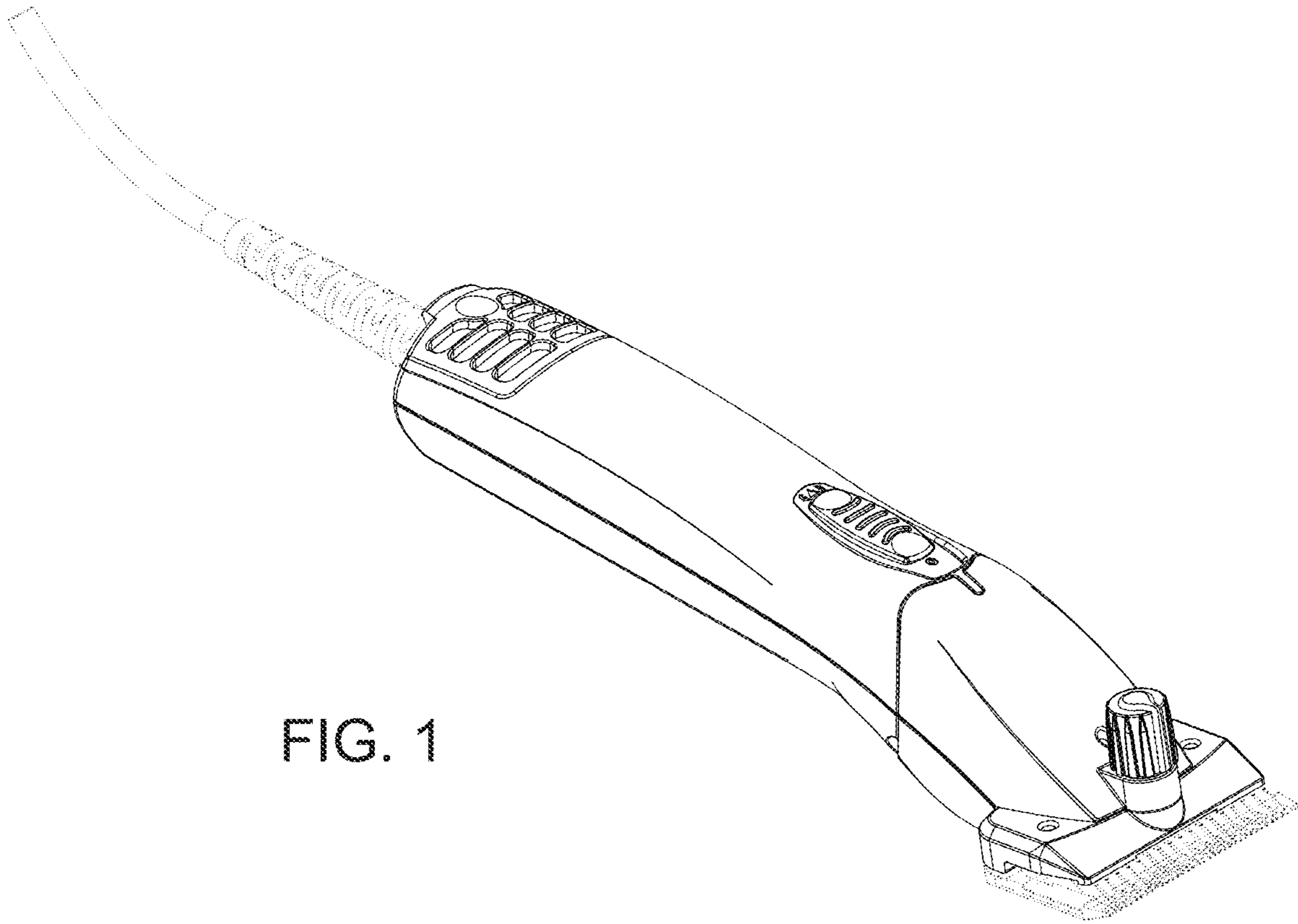


FIG. 1

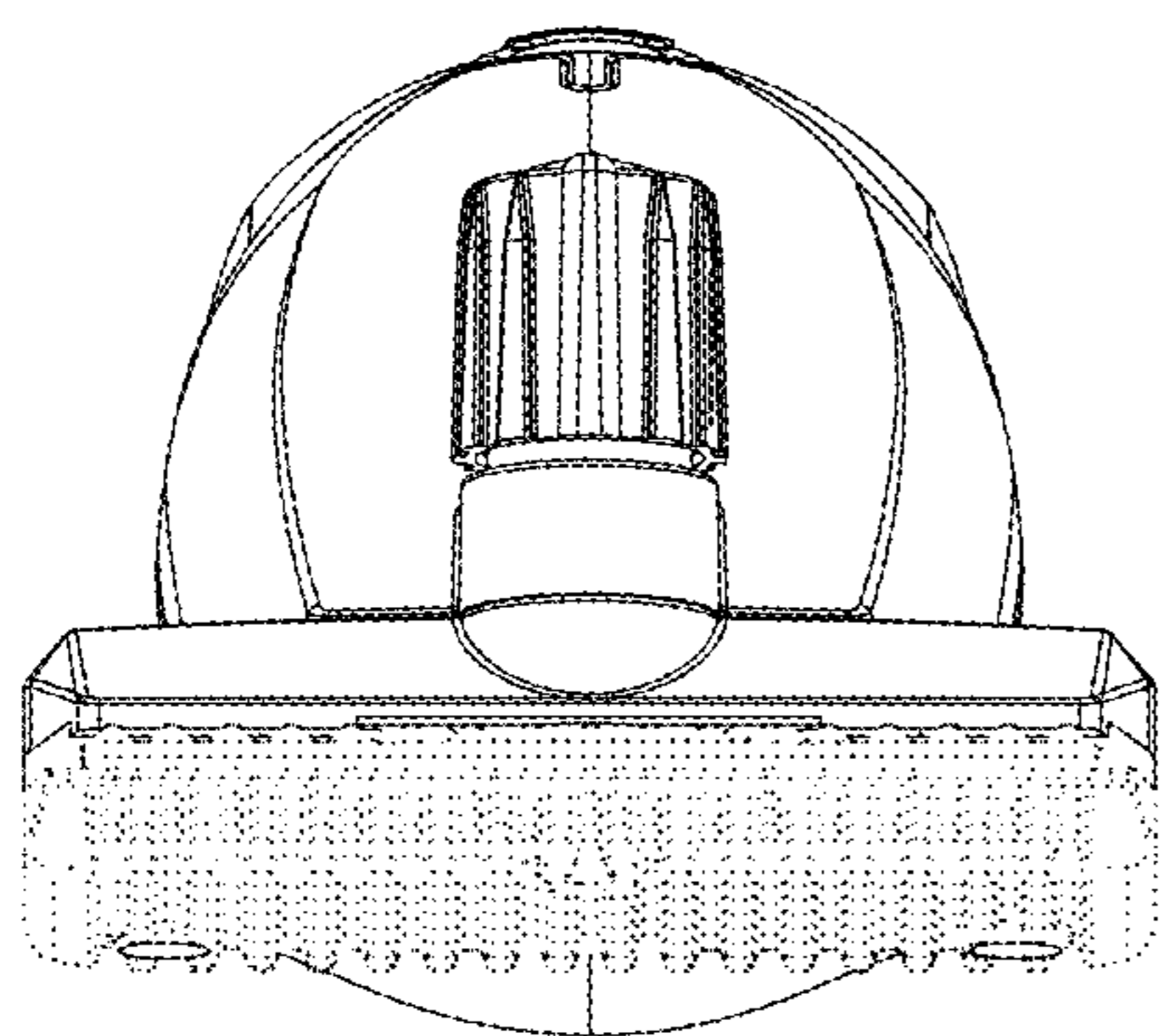


FIG. 2

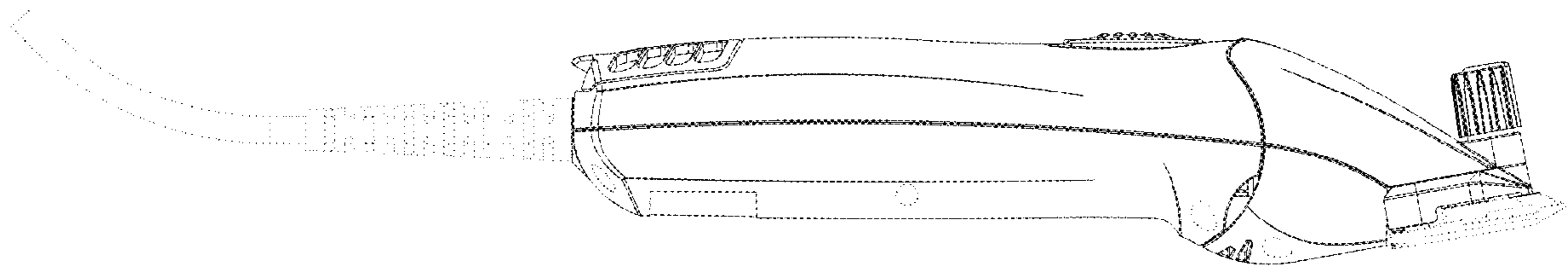


FIG. 3

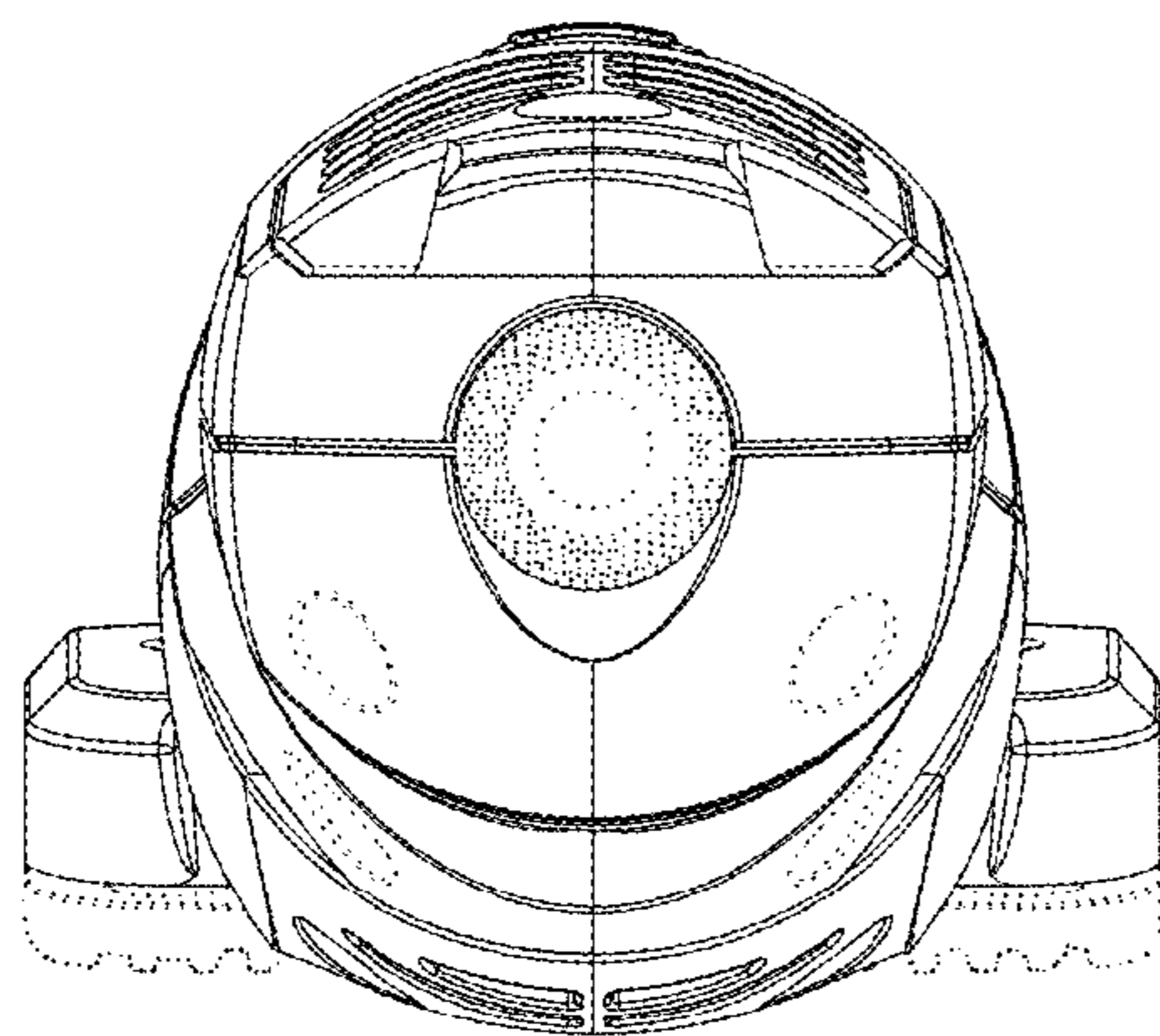


FIG. 4

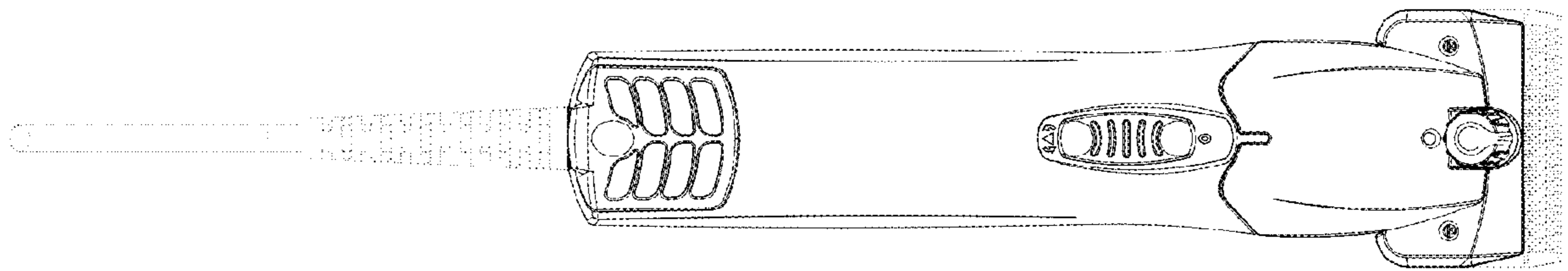


FIG. 5

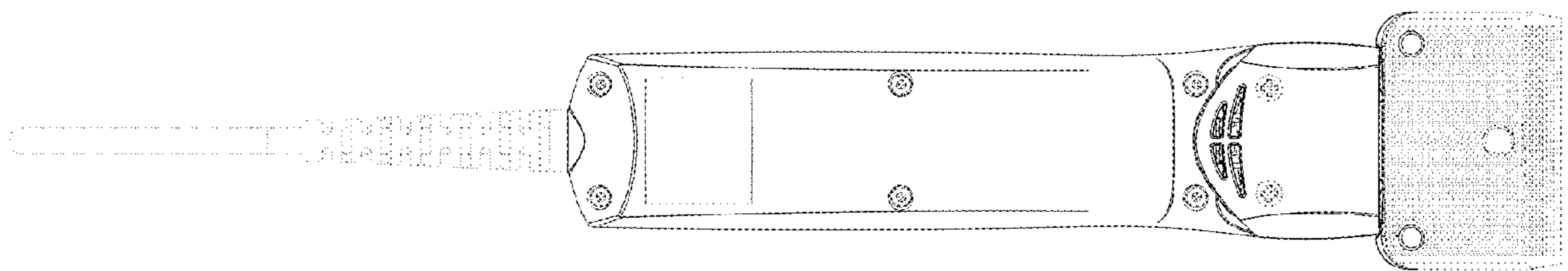


FIG. 6