



US00D942683S

(12) **United States Design Patent**
Colin

(10) **Patent No.:** **US D942,683 S**
(45) **Date of Patent:** **** Feb. 1, 2022**

(54) **HAIRCURLING APPARATUS**
(71) Applicant: **BABYLISS FACO SRL**, Wandre (BE)
(72) Inventor: **Nicolas Colin**, Awirs (BE)
(73) Assignee: **BABYLISS FACO SRL**, Wandre (BE)
(**) Term: **15 Years**

(21) Appl. No.: **35/510,354**

(22) Filed: **Aug. 31, 2020**

(80) **Hague Agreement Data**

Int. Filing Date: **Aug. 31, 2020**
Int. Reg. No.: **DM/210172**
Int. Reg. Date: **Aug. 31, 2020**
Int. Reg. Pub. Date: **Sep. 18, 2020**

(30) **Foreign Application Priority Data**

Mar. 2, 2020 (EM) 007724844-0002

(51) **LOC (13) Cl.** **28-03**

(52) **U.S. Cl.**
USPC **D28/35**

(58) **Field of Classification Search**
USPC D28/10, 35, 37, 38; D9/503, 529, 556,
D9/682, 686, 687, 689, 693, 674, 727,
D9/745

CPC A45D 34/04; A45D 40/04; A45D 44/005;
A45D 2034/005; A45D 2044/007; A45D
2200/155; A45D 40/26; A45D 40/265;
A45D 2200/25; A45D 34/041; A45D
40/06; A45D 40/065; A45D 40/24; A45D
2040/0012; A45D 2040/0025; A45D
2040/0062; A45D 2200/05; A45D 29/00;
A45D 34/045; A45D 34/046; A45D
40/00; A45D 40/262; A45D 44/00; A45D
2029/008; A45D 2034/002; A45D
2040/006; A45D 2040/208; A45D
2200/051; A45D 2200/053; A45D

2200/055; A45D 2200/057; A45D
2200/10; A45D 2200/1054; A45D
2200/15; A45D 2200/20; A45D 2200/202;
A45D 2200/205; A45D 29/007; A45D
29/06; A45D 29/14; A45D 29/22; A45D
33/00; A45D 33/006; A45D 33/02; A45D
33/18; A45D 33/24; A45D 34/00; A45D
34/042; A45D 40/0068; A45D 40/023;
A45D 40/267; A45D 40/28; A45D 44/002

See application file for complete search history.

(56) **References Cited**

U.S. PATENT DOCUMENTS

D833,070	S	*	11/2018	Chandra	D28/35
D876,014	S	*	2/2020	Lin	D28/35
D886,374	S	*	6/2020	Hein	D28/35
D901,076	S	*	11/2020	Kim	D28/35
D901,077	S	*	11/2020	Kim	D28/35
D908,284	S	*	1/2021	Chandra	D28/35
D919,885	S	*	5/2021	Liang	D28/24
D919,886	S	*	5/2021	Wang	D28/35
D924,484	S	*	7/2021	Cooper	D28/35

* cited by examiner

Primary Examiner — Khawaja Anwar

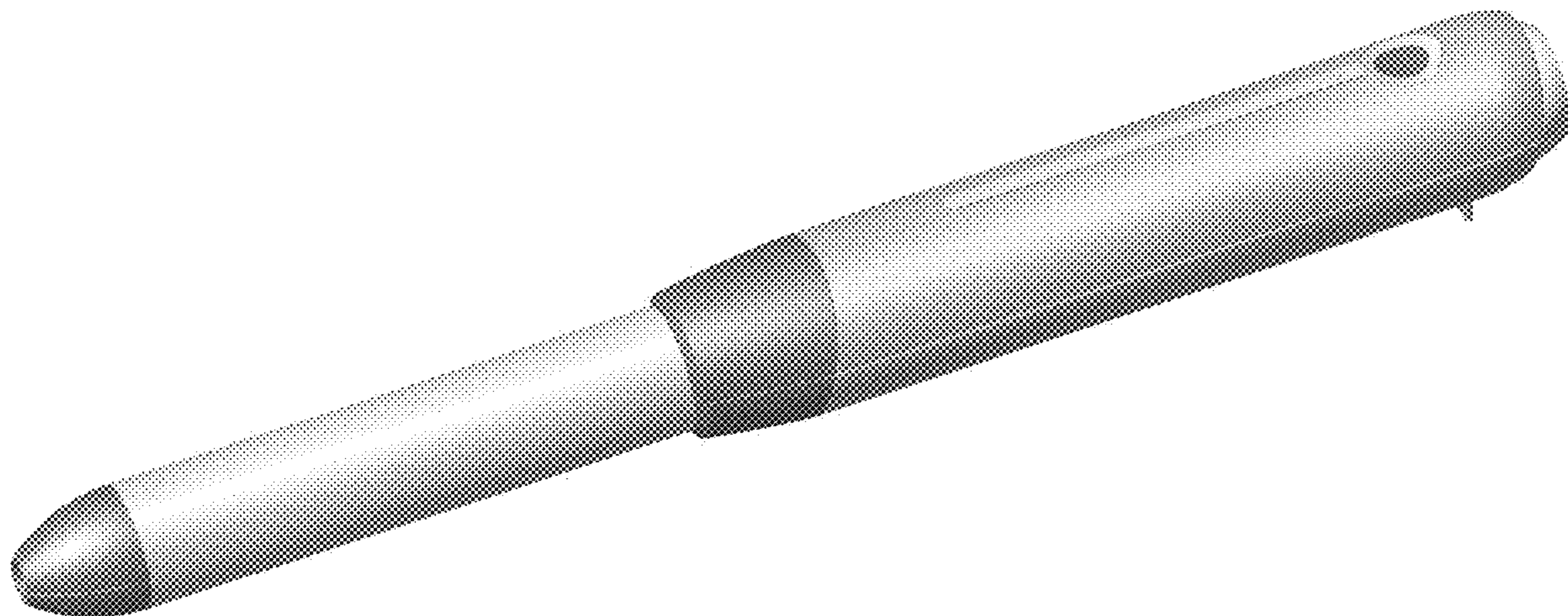
(57) **CLAIM**

The ornamental design for a haircurling apparatus, as shown and described.

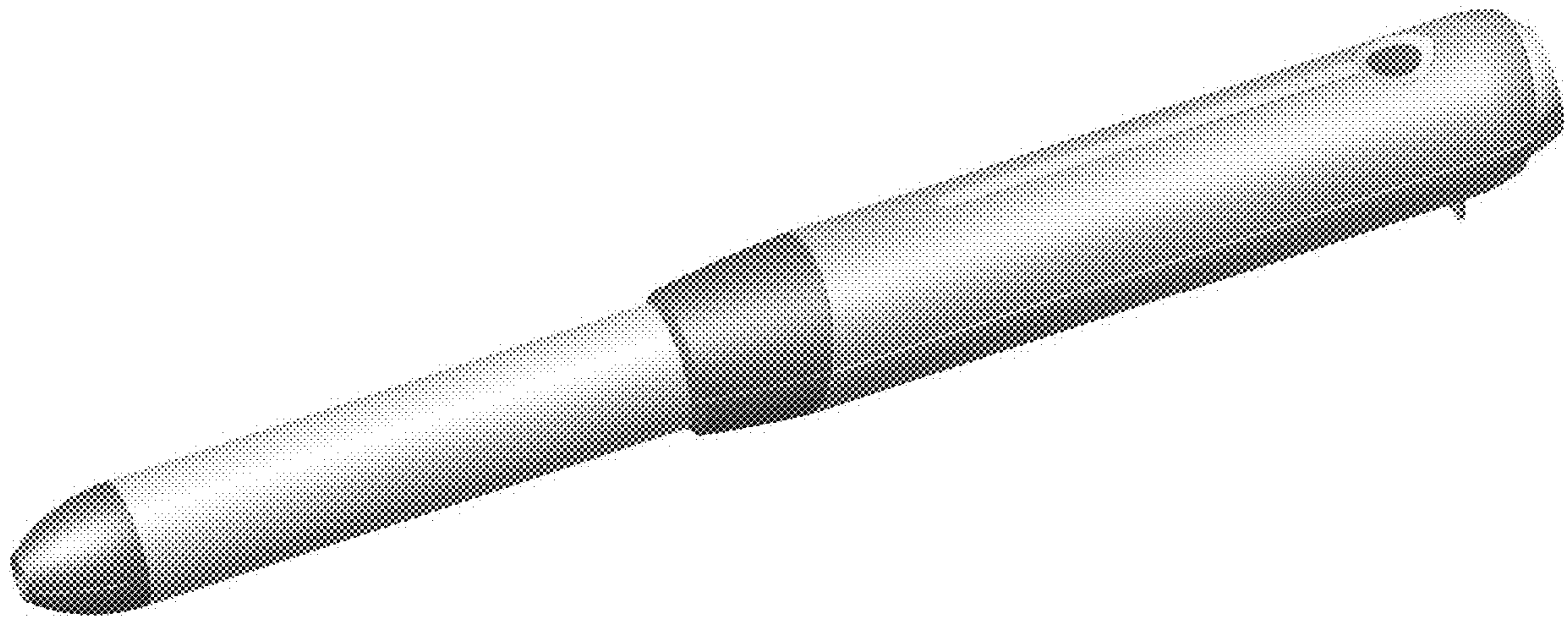
DESCRIPTION

1. Hair-curling apparatus
FIG. 1.1 is a perspective view of a haircurling apparatus, showing my new design;
FIG. 1.2 is an end elevation view thereof;
FIG. 1.3 is a bottom plan view thereof;
FIG. 1.4 is another end elevation view thereof;
FIG. 1.5 is a side elevation view thereof;
FIG. 1.6 is a top plan view thereof; and
FIG. 1.7 is another perspective view thereof.

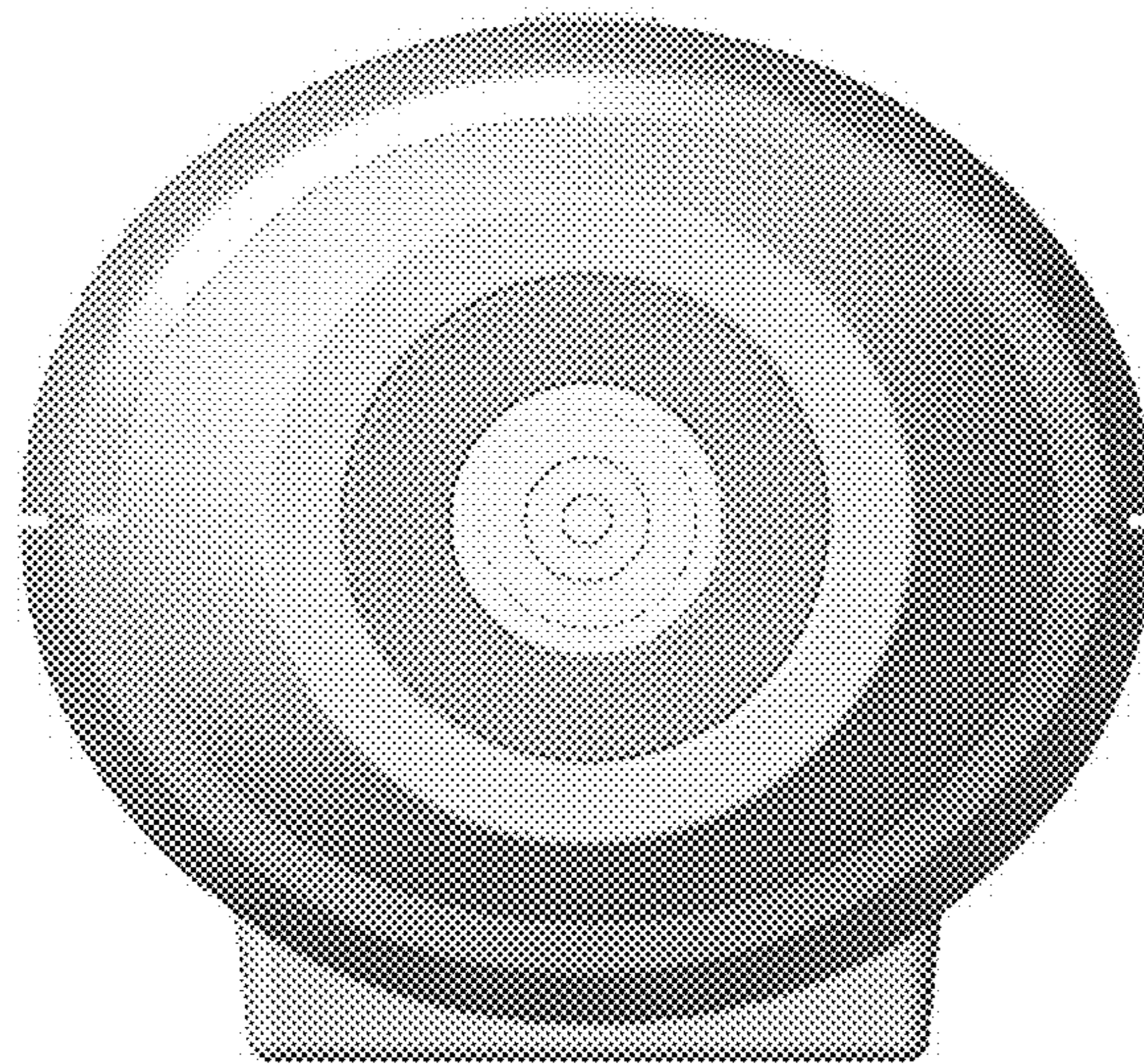
1 Claim, 7 Drawing Sheets



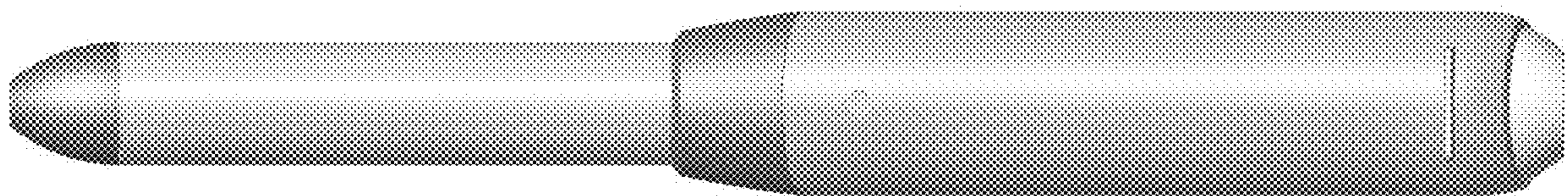
1.1



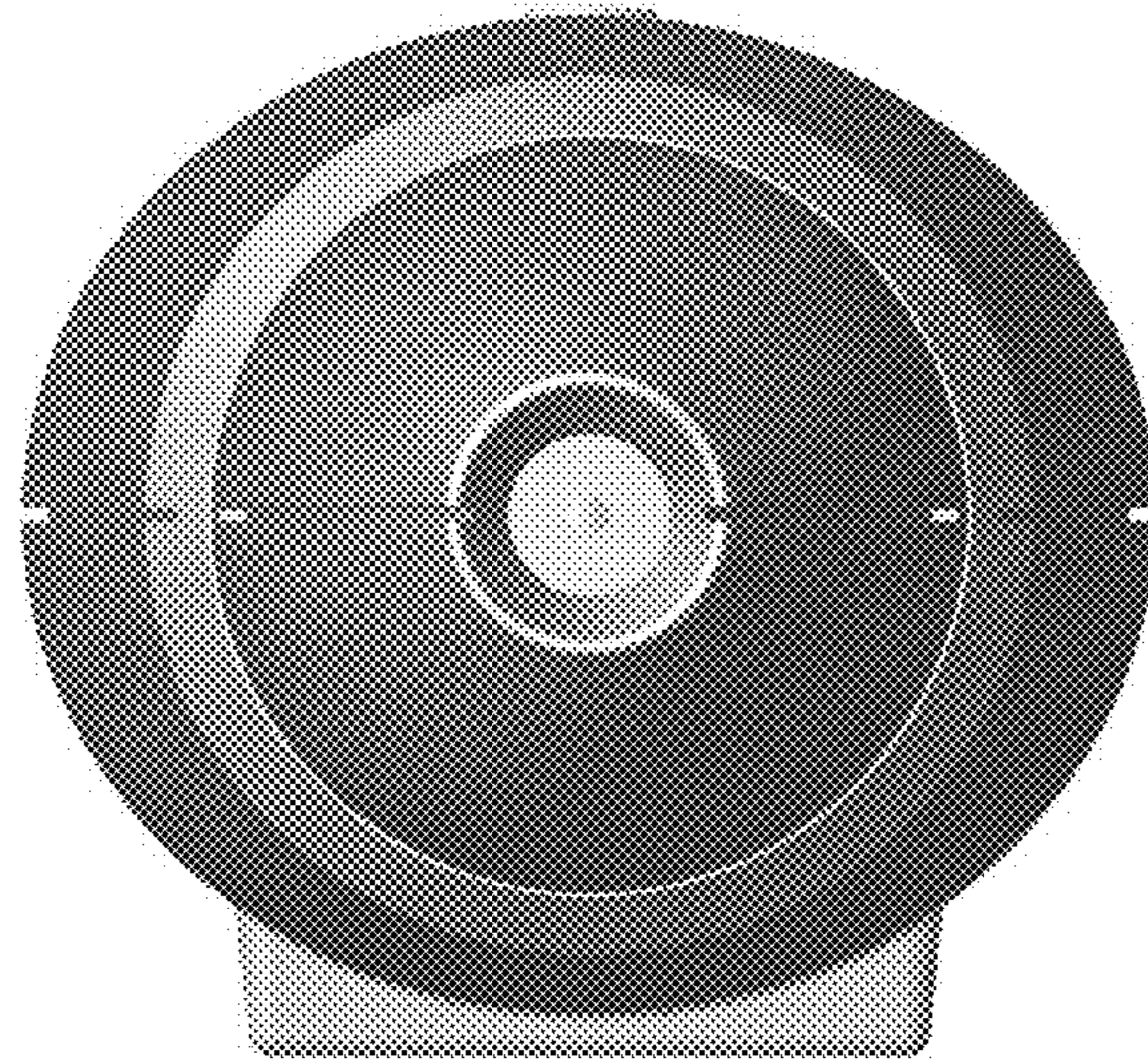
1.2



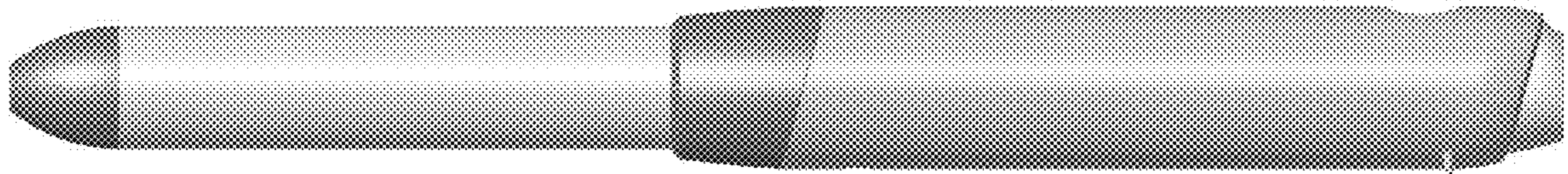
1.3



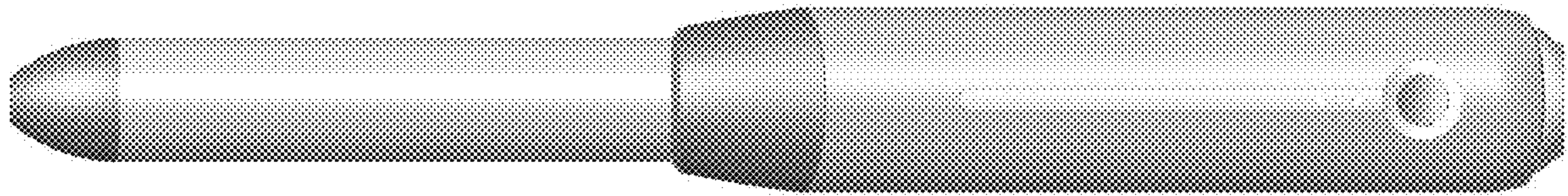
1.4



1.5



1.6



1.7

