

US00D942678S

(12) **United States Design Patent** (10) **Patent No.:** **US D942,678 S**
Cragle (45) **Date of Patent:** **** Feb. 1, 2022**

- (54) **MOUTHPIECE**
- (71) Applicant: **Raymond G Cragle**, Lakeville, NY (US)
- (72) Inventor: **Raymond G Cragle**, Lakeville, NY (US)
- (**) Term: **15 Years**
- (21) Appl. No.: **29/755,001**
- (22) Filed: **Oct. 16, 2020**
- (51) **LOC (13) Cl.** **27-02**
- (52) **U.S. Cl.**
USPC **D27/170**
- (58) **Field of Classification Search**
USPC D27/170, 171, 162, 163, 168, 167, 169, D27/194; D9/523, 526
CPC A24F 47/002; A24F 47/008; A24F 47/00; A24F 40/40; A24F 40/10; A24F 40/00; A24F 1/30; A24F 1/00; A24F 1/14; A24F 1/12; A24F 1/02; F21S 8/00; F21V 29/506
See application file for complete search history.

D838,900 S *	1/2019	Freese	D27/170
10,327,476 B2	6/2019	Lin		
10,455,860 B2	10/2019	Lin		
D866,064 S	11/2019	Powell		
10,506,828 B2	12/2019	Dai		
D904,621 S *	12/2020	Bould	D24/181
D928,402 S *	8/2021	Bilu	D27/170
D930,237 S *	9/2021	Fornarelli	D27/167
2013/0139833 A1	6/2013	Hon		
2017/0295845 A1	10/2017	Bajpai		

OTHER PUBLICATIONS

Airstech Nokiva Replacement Mouthpiece By: Vaporize Co.Za found on line Oct. 18, 2021 <https://vaporize.co.za/shop/airstech-nokiva-replacement-mouthpiece> (2013).*

* cited by examiner

Primary Examiner — Marissa J Cash
Assistant Examiner — Rebecca Tsehaye

(57) **CLAIM**

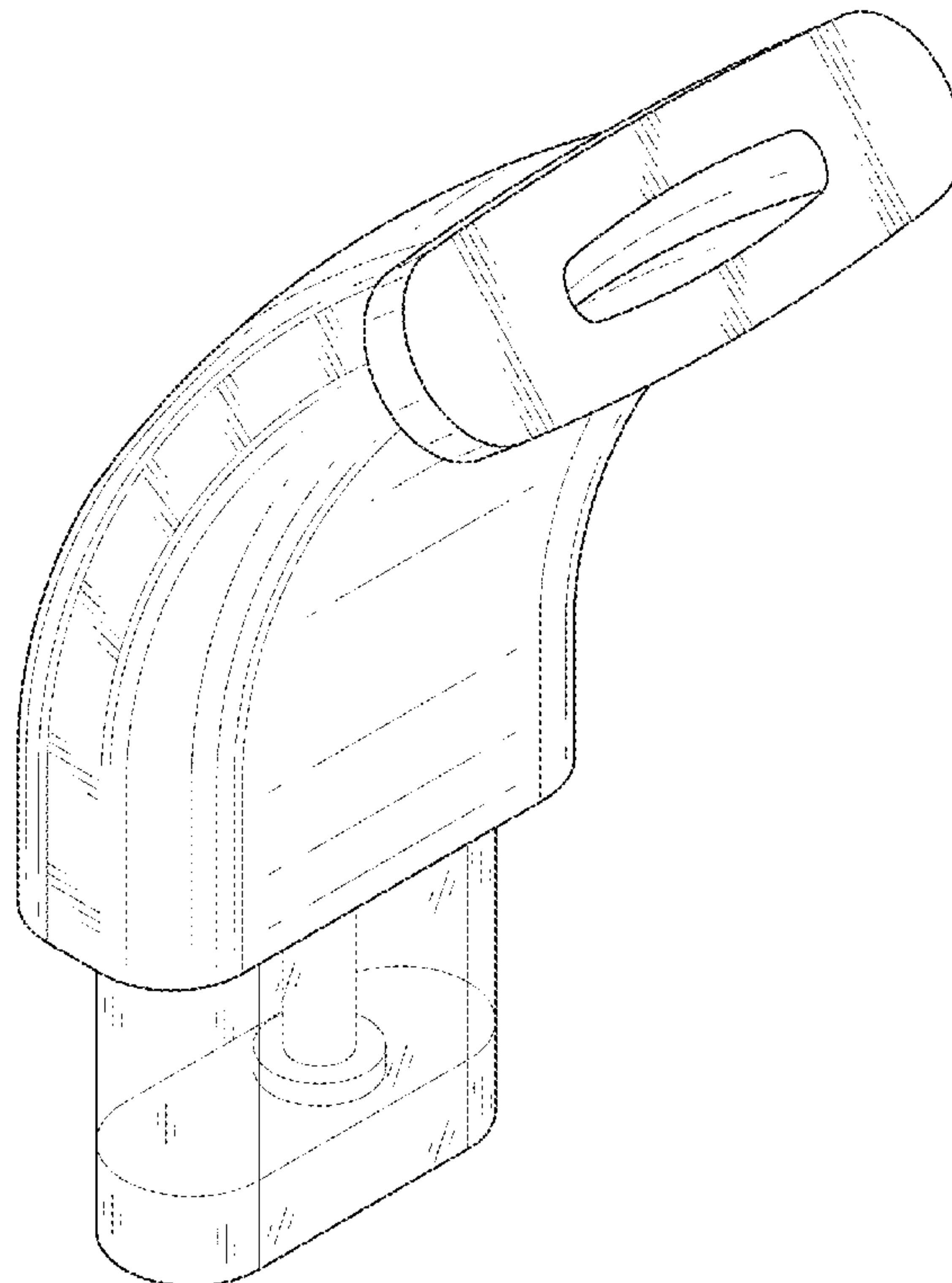
The ornamental design for a mouthpiece, as shown and described.

DESCRIPTION

FIG. 1 is a front view of a mouthpiece showing my new design;
FIG. 2 is a rear view of the mouthpiece;
FIG. 3 is a right side view of the mouthpiece;
FIG. 4 is a left side view of the mouthpiece;
FIG. 5 is a top view of the mouthpiece;
FIG. 6 is a bottom view of the mouthpiece; and,
FIG. 7 is a top front side perspective view of the mouthpiece.

1 Claim, 7 Drawing Sheets

- (56) **References Cited**
U.S. PATENT DOCUMENTS
D424,739 S * 5/2000 Ross D27/170
D588,741 S * 3/2009 Murdaugh, III D27/169
9,282,772 B2 3/2016 Tucker
D799,748 S * 10/2017 Freese D27/170
D799,749 S * 10/2017 Freese D27/170
D814,629 S * 4/2018 Chuang D24/110



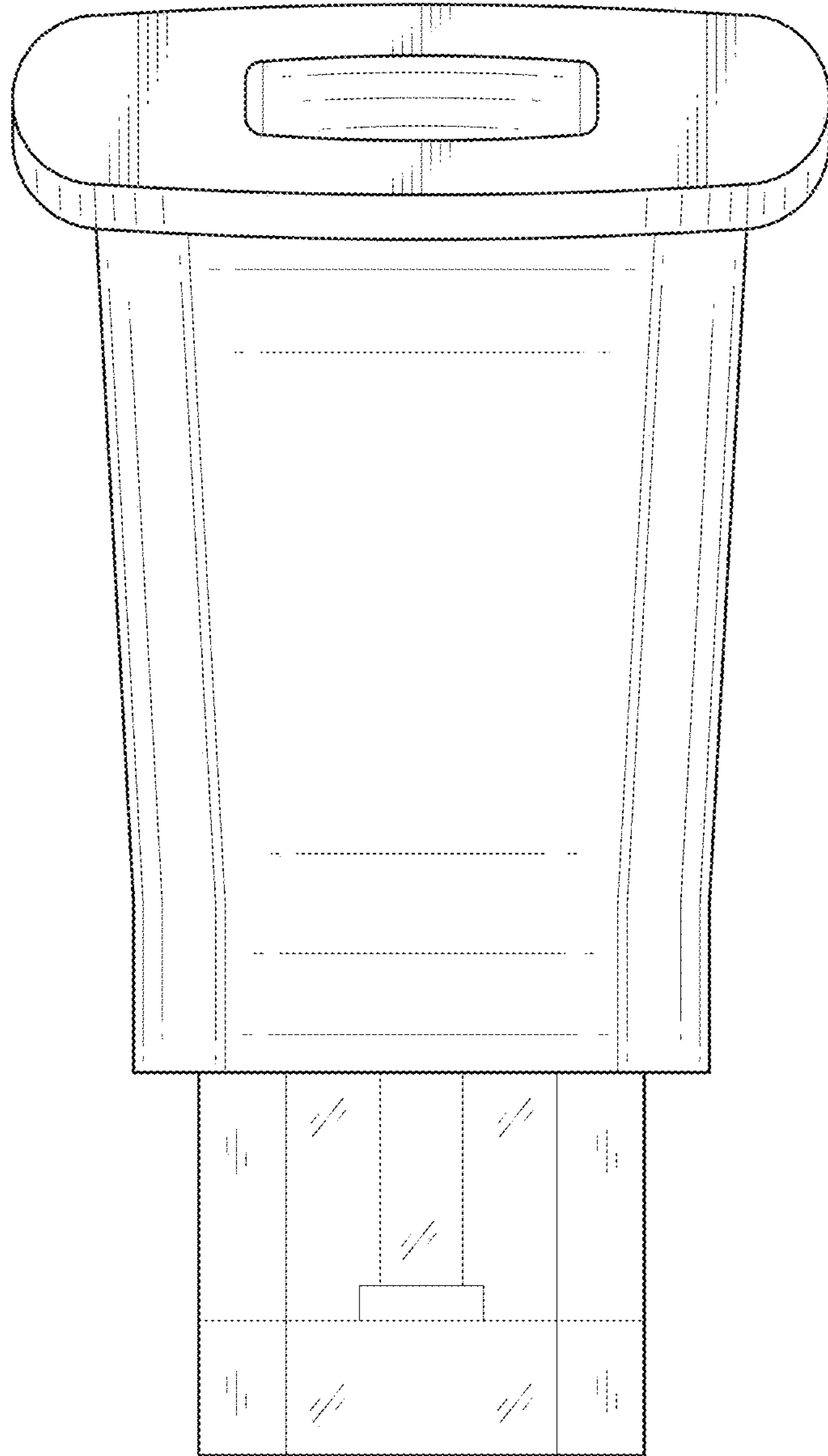


FIG. 1

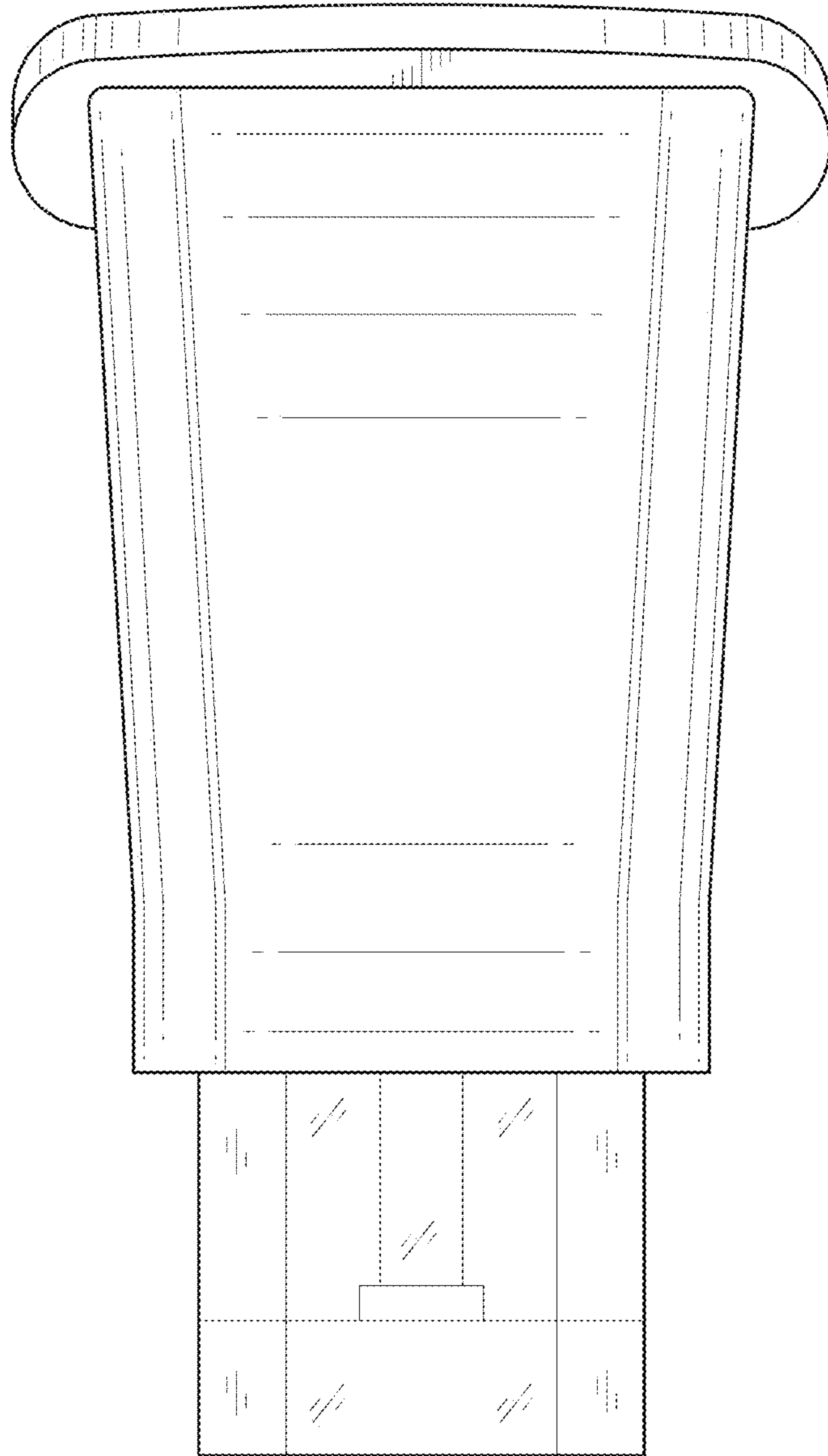


FIG. 2

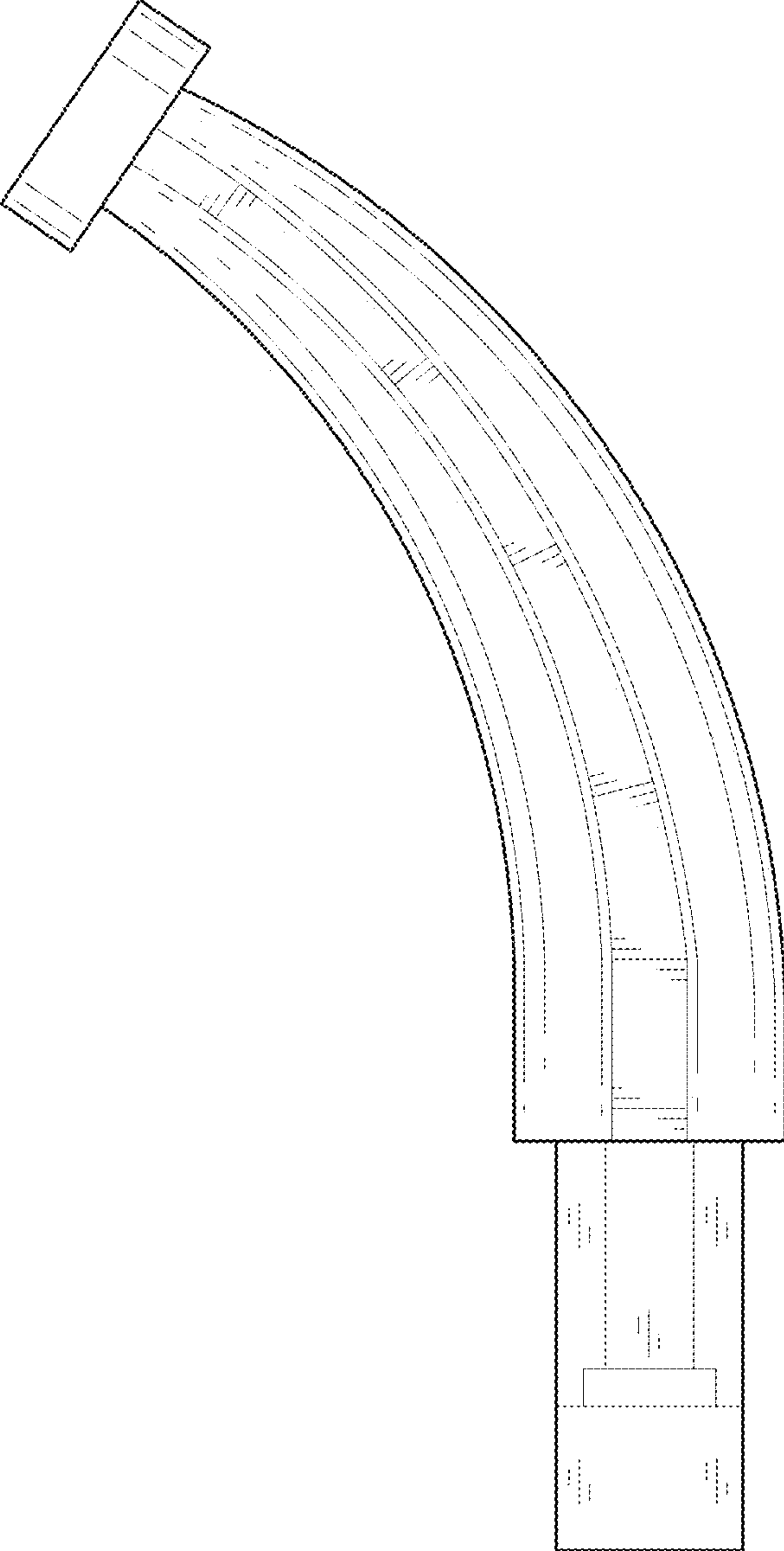


FIG. 3

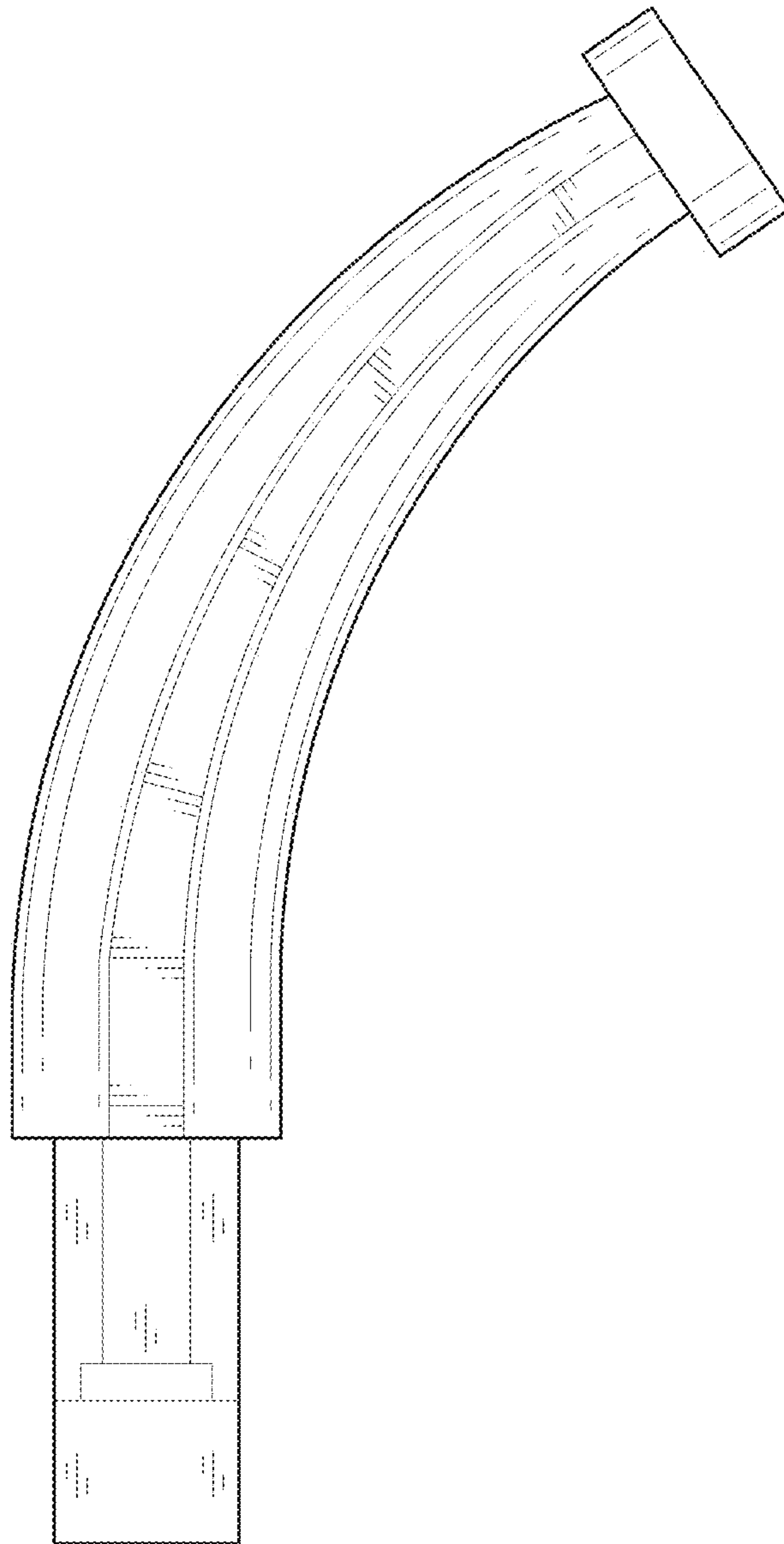


FIG. 4

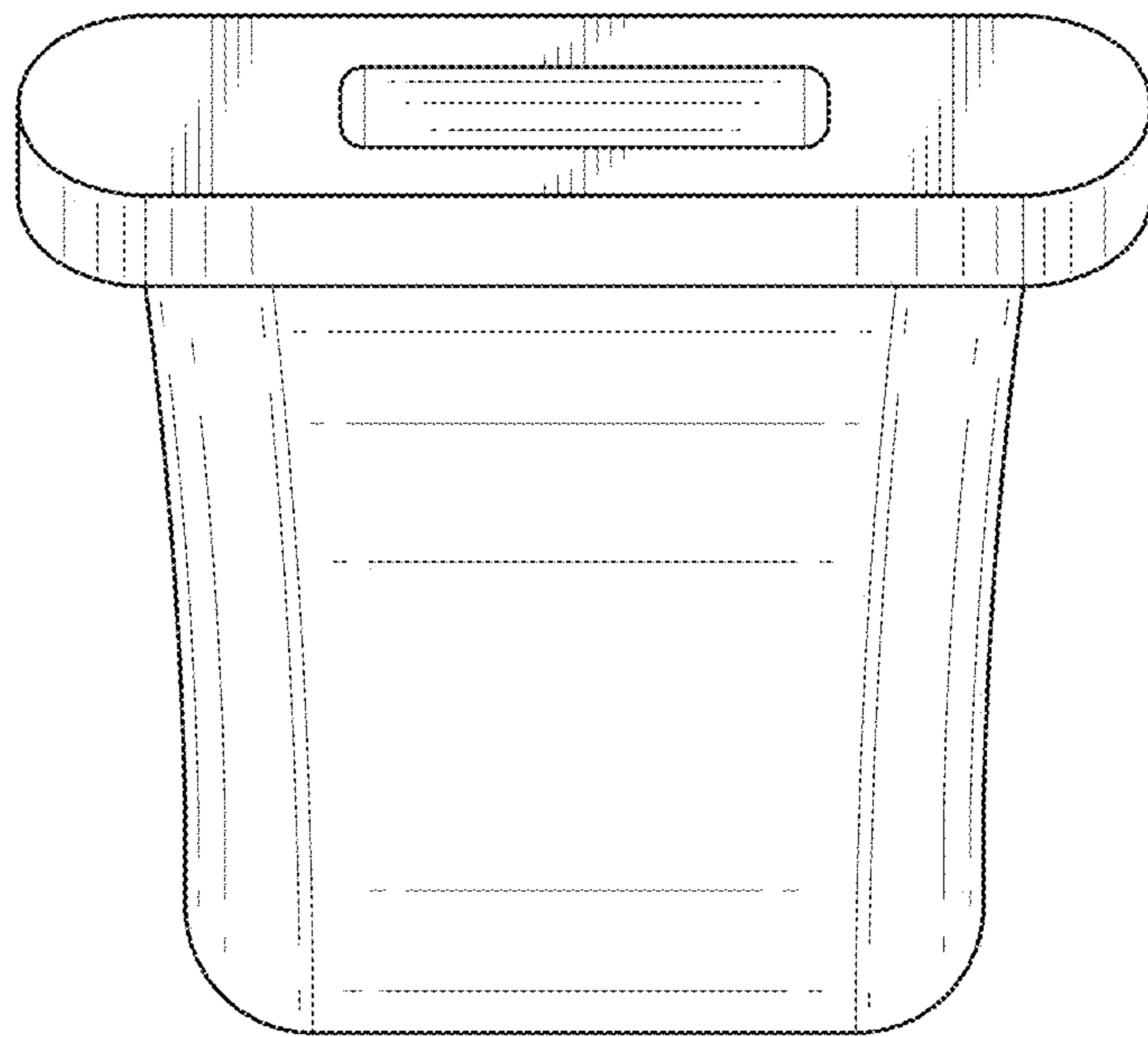


FIG. 5

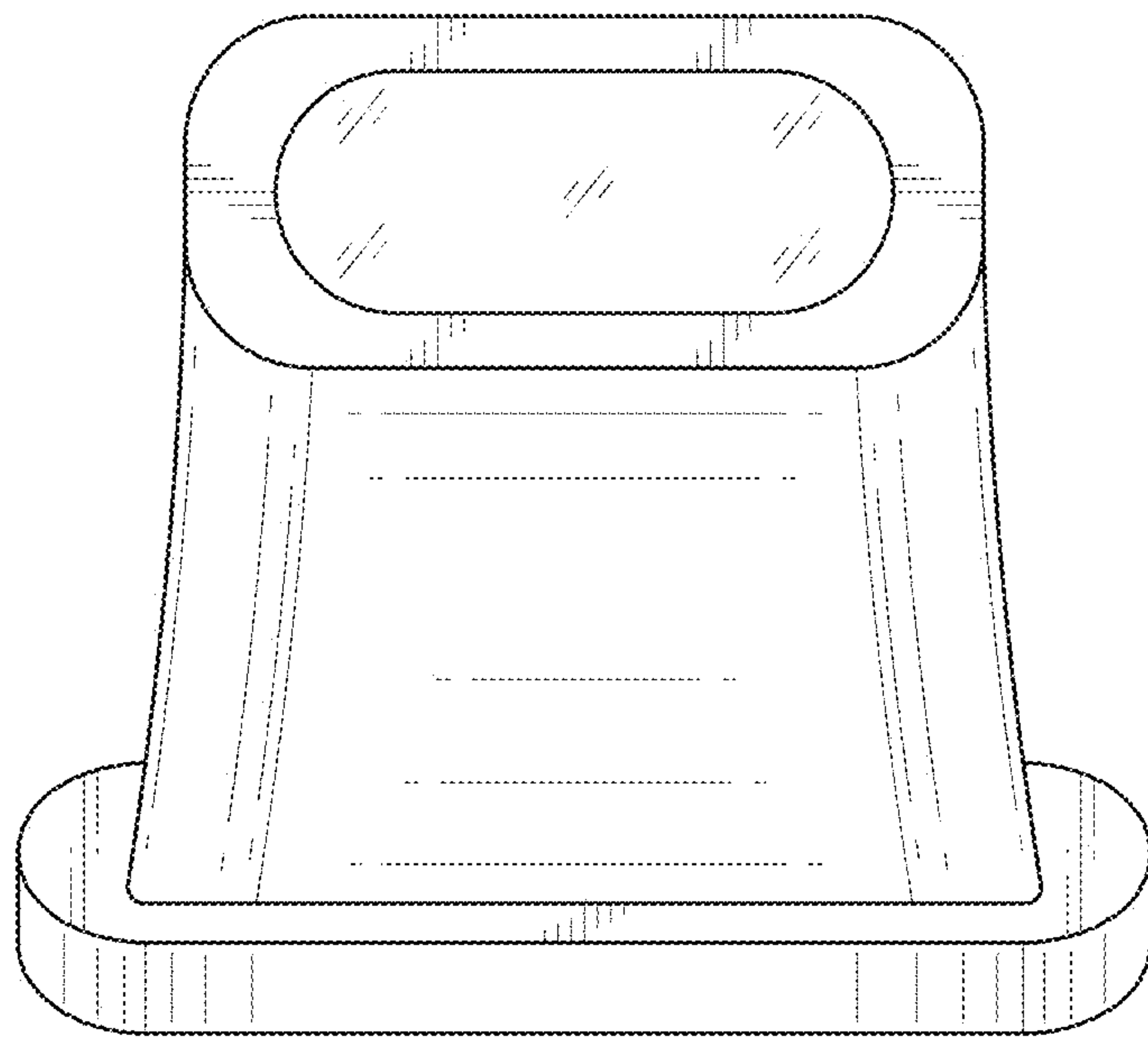


FIG. 6

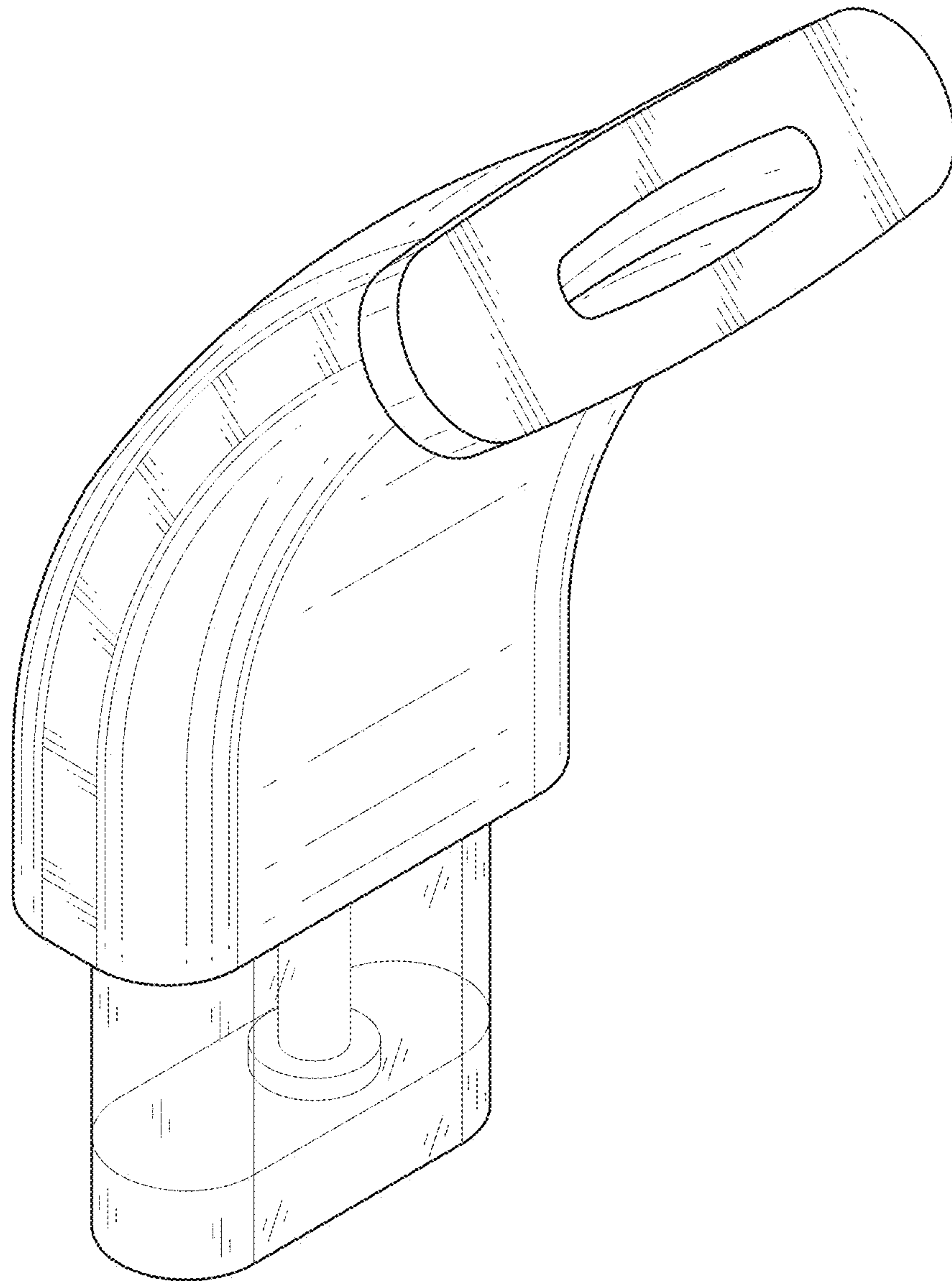


FIG. 7