



US00D942675S

(12) **United States Design Patent** (10) **Patent No.:** **US D942,675 S**  
**Ouyang** (45) **Date of Patent:** **\*\* Feb. 1, 2022**

(54) **ELECTRONIC CIGARETTE**

(71) Applicant: **HONG KONG IVPS INTERNATIONAL LIMITED**,  
Central (HK)

(72) Inventor: **Junwei Ouyang**, Shenzhen (CN)

(73) Assignee: **HONG KONG IVPS INTERNATIONAL LIMITED**,  
Central (HK)

(\*\*) Term: **15 Years**

(21) Appl. No.: **29/716,618**

(22) Filed: **Dec. 11, 2019**

(30) **Foreign Application Priority Data**

Nov. 16, 2019 (CN) ..... 201930631996.X

(51) **LOC (13) Cl.** ..... **27-02**

(52) **U.S. Cl.**  
USPC ..... **D27/162**

(58) **Field of Classification Search**

USPC ..... D27/100, 101, 162, 163, 164, 165, 166,  
D27/167, 168, 169, 170, 171, 172, 173,  
D27/174, 175, 176, 177, 178, 179, 180,  
D27/181, 182, 183, 184, 185, 186, 187,  
D27/188, 189, 190, 191, 192, 193;  
D24/110, 110.5, 110.6; D28/91.1

CPC ..... A24F 47/008; A24F 40/10; A24F 40/40;  
A24F 40/42; A24F 40/46; A24F 47/00;  
A24F 40/44; A24F 40/50; A24F 40/90;  
A24F 40/485; A24F 40/51; A24F 40/53;  
A24F 40/70; A24F 40/60; A24F 40/48;  
A24F 40/57; A24F 47/002; A24F 40/65;  
A24F 40/20; A24F 7/00; A24F 40/30;  
A24F 47/004; A24F 7/02; A24F 40/05;  
A24F 40/49; A24F 7/04; A24F 15/015;  
A24F 1/32; A24F 40/00; A24F 40/85;  
A24F 40/95; A24F 42/60; A24F 9/16;  
A61M

(Continued)

(56) **References Cited**

U.S. PATENT DOCUMENTS

D799,744 S \* 10/2017 Qiu ..... D27/101  
D831,885 S \* 10/2018 Wang ..... D27/101

(Continued)

FOREIGN PATENT DOCUMENTS

CN 201830669506.0 \* 9/2019  
CN 202030067379.4 \* 3/2020

(Continued)

OTHER PUBLICATIONS

Nord Kit. By Smok. Dated Nov. 15, 2018. Found online [Dec. 2, 2020]. <https://www.smoktech.com/kit/nord-kit> (Year: 2018).\*

(Continued)

*Primary Examiner* — Marissa J Cash

*Assistant Examiner* — William B Melliar

(74) *Attorney, Agent, or Firm* — IP-Pal Patent US; Klaus Michael Schmid

(57) **CLAIM**

The ornamental design for an electronic cigarette, as shown and described.

**DESCRIPTION**

FIG. 1 is a perspective View of an electronic cigarette;

FIG. 2 is a front View thereof;

FIG. 3 is a rear View thereof;

FIG. 4 is a top View thereof;

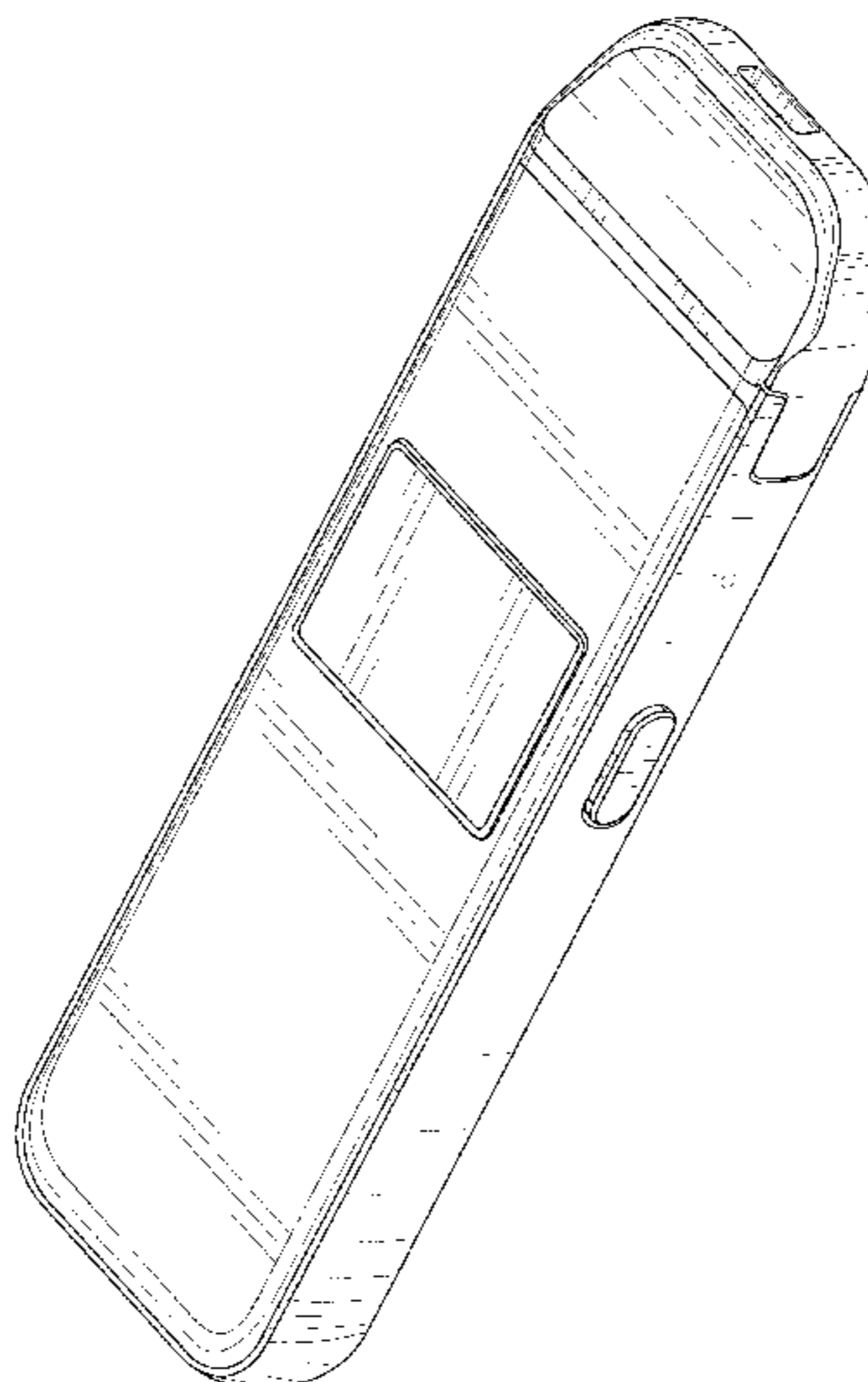
FIG. 5 is a bottom View thereof;

FIG. 6 is a right side View thereof; and,

FIG. 7 is a left side View thereof.

The broken lines in the drawings are for the purpose of illustrating portions of the electronic cigarette that form no part of the claimed design.

**1 Claim, 6 Drawing Sheets**



(58) **Field of Classification Search**

CPC ..... 11/042; A61M 15/06; A61M 2205/8206;  
 A61M 2205/3653; A61M 2016/0024;  
 A61M 11/005; A61M 2016/0027; A61M  
 2205/587; A61M 11/003; A61M 11/044;  
 A61M 15/002; A61M 15/0085; A61M  
 16/0003; A61M 2205/3368; A61M  
 2205/8256; A61M 11/001; A61M 11/04;  
 A61M 15/0021; A61M 2016/0018; A61M  
 2016/0021; A61M 2021/0016; A61M  
 2205/8268; A61M 2209/02; A61M  
 11/041; A61M 15/0025; A61M 15/008;  
 A61M 2016/0033; A61M 2016/0039;  
 A61M 21/00; A61M 2205/0211; A61M  
 2205/3331; A61M 2205/3334; A61M  
 2205/3379; A61M 2205/52; A61M  
 2205/58; A61M 2205/583; A61M  
 2205/6018; A61M 2205/6054; A61M  
 2205/75; A61M 2206/11; A61M 2206/20;  
 A61M 2209/045; A24B 15/167; A24B  
 15/16; A24B 15/18; A24B 15/303; A24B  
 15/308; A24B 15/34; A24D 3/10; A24D  
 3/048

See application file for complete search history.

(56) **References Cited**

U.S. PATENT DOCUMENTS

D833,063 S \* 11/2018 Qiu ..... D27/101  
 D846,798 S \* 4/2019 Chen ..... D27/163

D876,004 S \* 2/2020 Wang ..... D27/101  
 D881,457 S \* 4/2020 Ouyang ..... D27/162  
 D882,065 S \* 4/2020 Wang ..... D24/110  
 D884,269 S \* 5/2020 Lai ..... D27/162  
 D885,655 S \* 5/2020 Ding ..... D27/162  
 D887,630 S \* 6/2020 Lai ..... D27/162  
 D887,631 S \* 6/2020 Lai ..... D27/162  
 D890,418 S \* 7/2020 Tasselli ..... D27/163  
 D899,676 S \* 10/2020 Liu ..... D27/162  
 D900,385 S \* 10/2020 Wang ..... D27/162  
 2019/0008208 A1 \* 1/2019 Cirillo ..... A24F 7/04  
 2020/0237007 A1 \* 7/2020 Qiu ..... A24F 40/90

FOREIGN PATENT DOCUMENTS

CN 201930554146.4 \* 6/2020  
 CN 201930684857.3 \* 7/2020  
 CN 202030081539.0 \* 9/2020  
 CN 202030284715.0 \* 10/2020

OTHER PUBLICATIONS

Nord 2 Kit. By Smok. Dated Jan. 8, 2020. Found online [Dec. 2, 2020]. <https://www.smoktech.com/kit/nord2-kit> (Year: 2020).\*

Luxe PM40. By Vapresso. Dated Oct. 22, 2020. Found online [Dec. 2, 2020]. <https://www.vapresso.com/vape-kits/luxe-pm40> (Year: 2020).\*

The All New Aspire Breeze! First look. By Aspire. Dated May 16, 2017. Found online [Dec. 3, 2020]. <https://aspirevapeco.com/aspire-breeze-is-here-and-it-is-about-to-take-you-by-surprise/> (Year: 2017).\*

\* cited by examiner

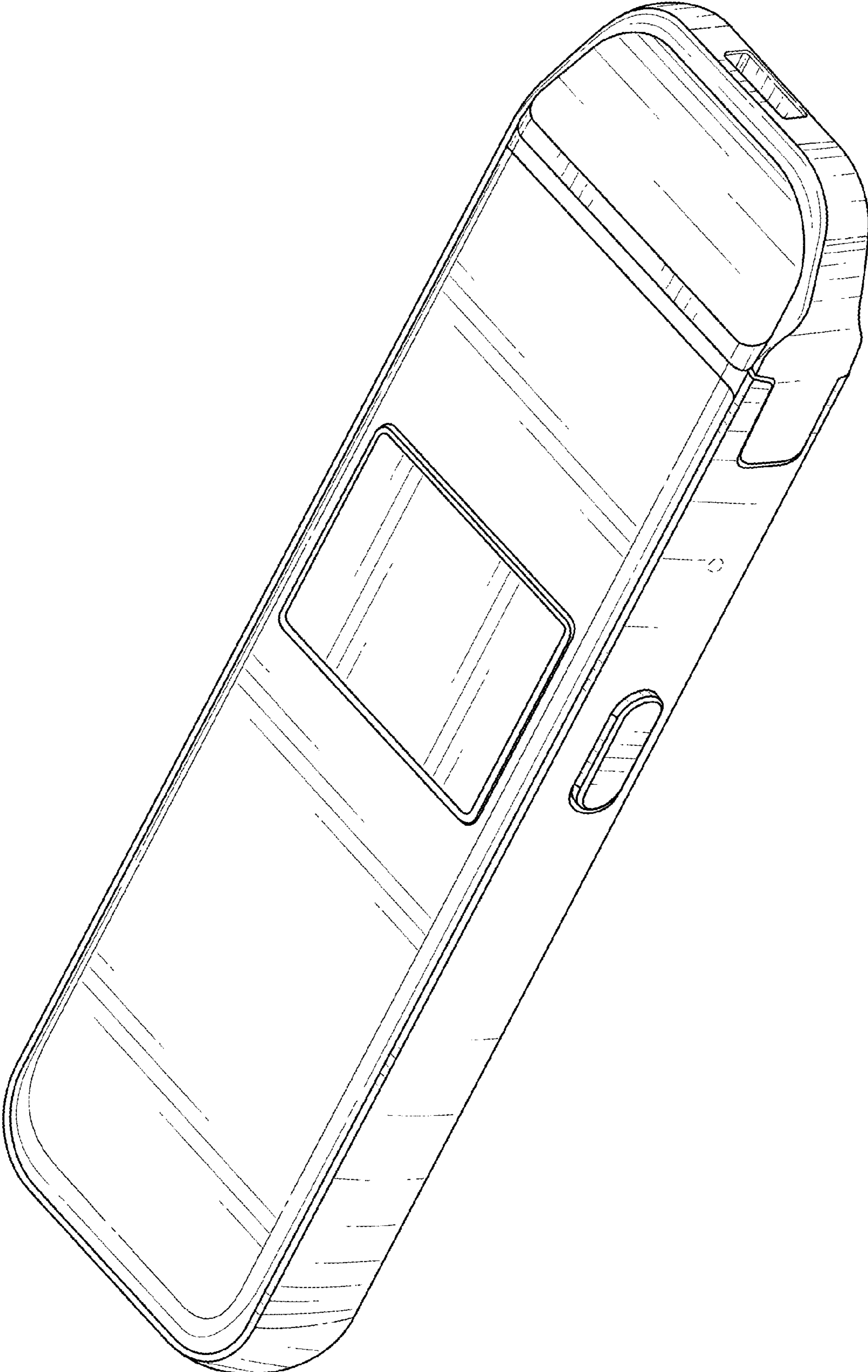


FIG. 1



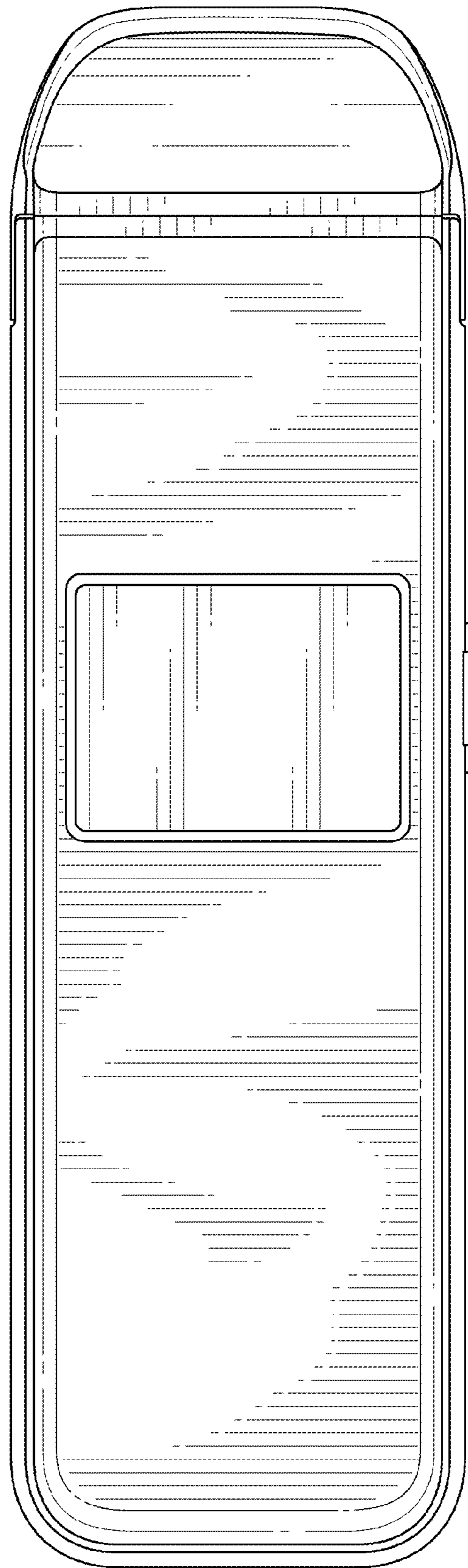


FIG. 2

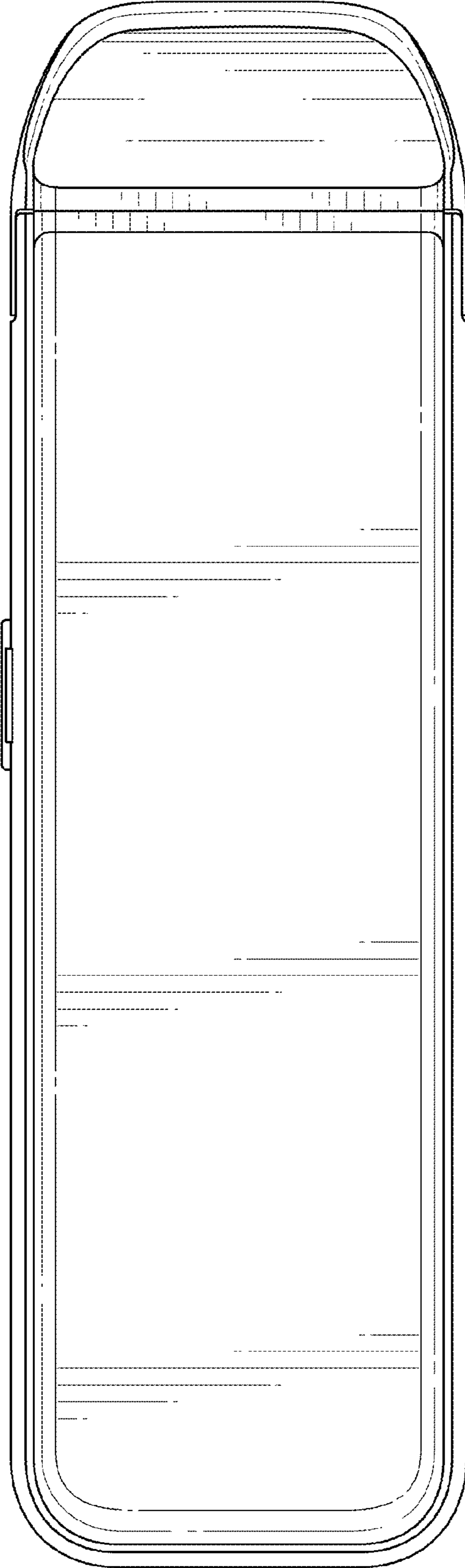


FIG. 3

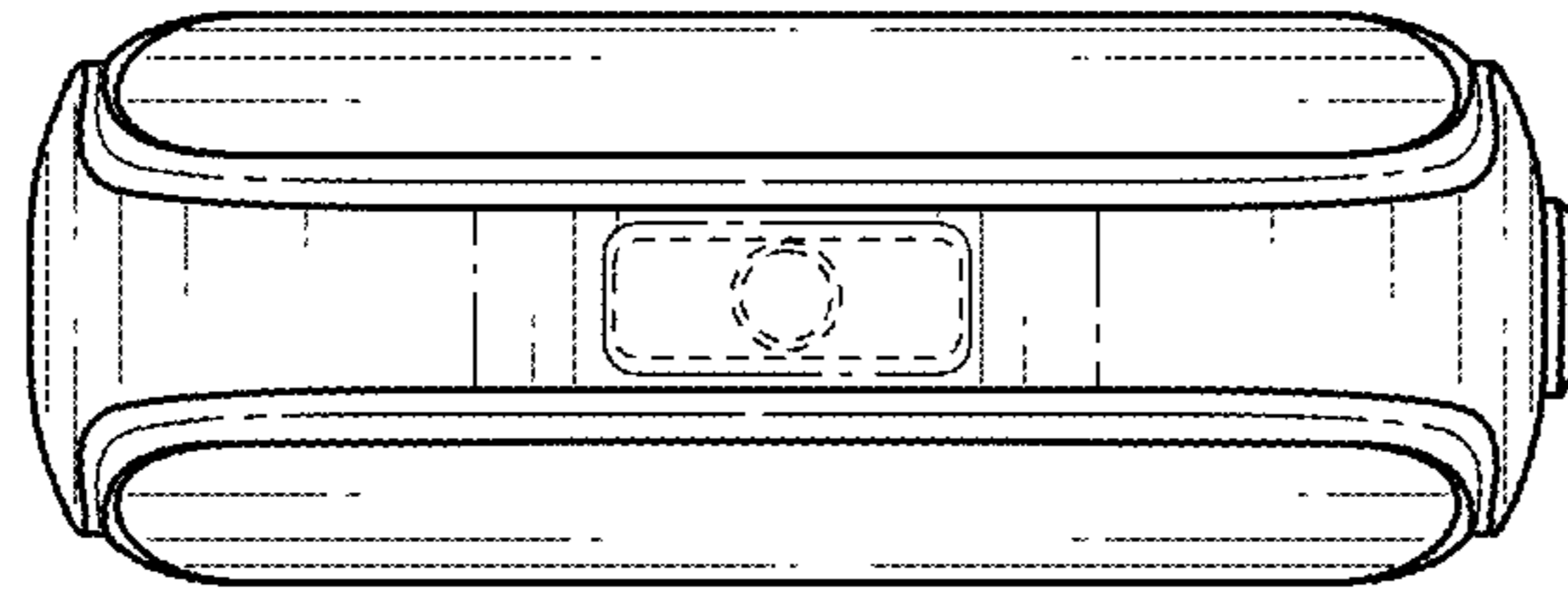


FIG. 4

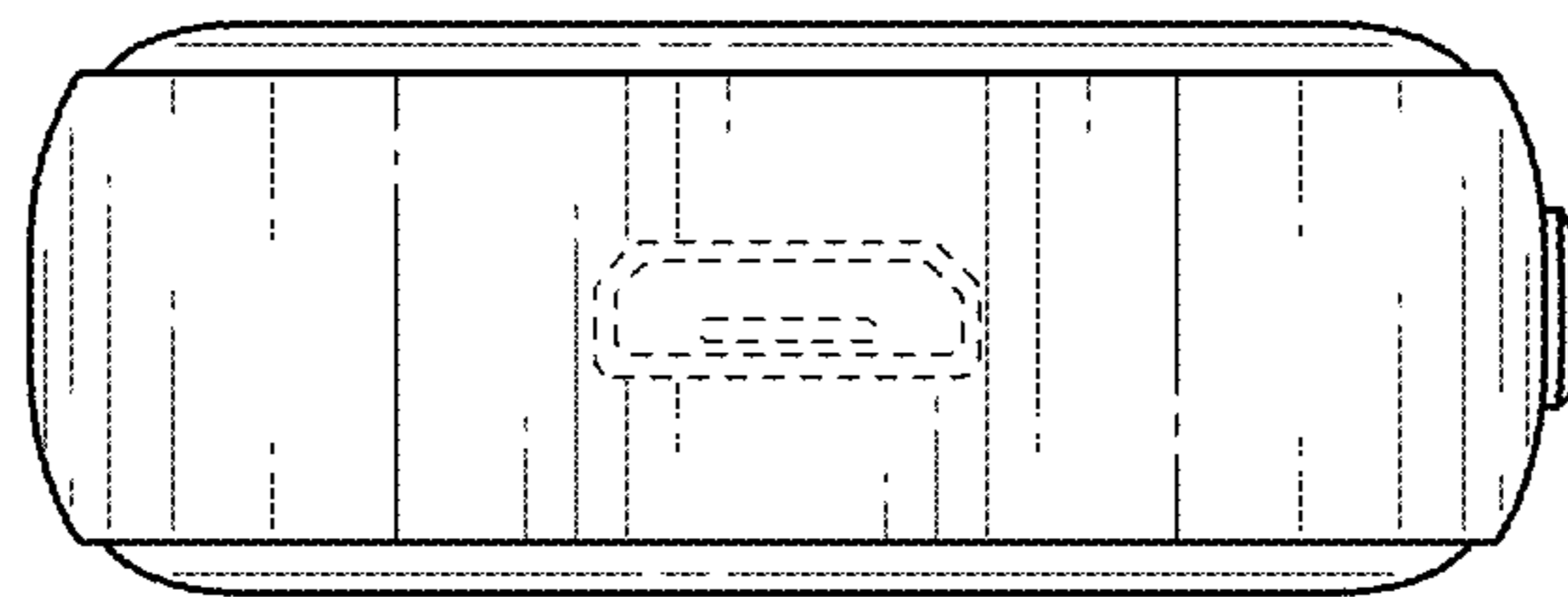


FIG. 5

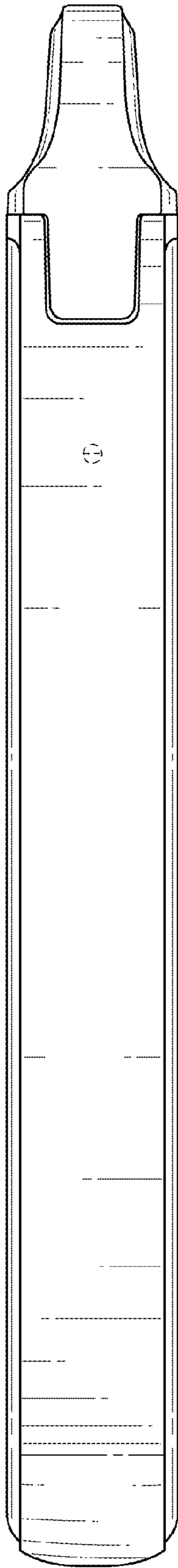


FIG. 6

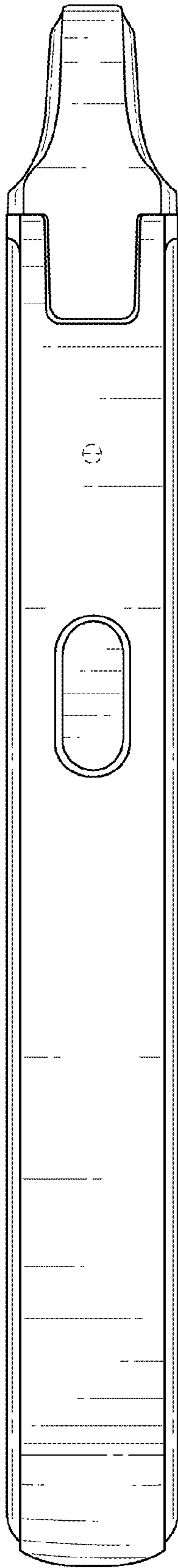


FIG. 7