



US00D942674S

(12) **United States Design Patent**
Ouyang

(10) **Patent No.:** **US D942,674 S**

(45) **Date of Patent:** **** Feb. 1, 2022**

(54) **ELECTRONIC CIGARETTE**

(71) Applicant: **SHENZHEN IVPS TECHNOLOGY CO., LTD.**, Shenzhen (CN)

(72) Inventor: **Junwei Ouyang**, Shenzhen (CN)

(73) Assignee: **SHENZHEN IVPS TECHNOLOGY CO., LTD.**, Guangdong (CN)

(**) Term: **15 Years**

(21) Appl. No.: **29/687,929**

(22) Filed: **Apr. 17, 2019**

(30) **Foreign Application Priority Data**

Jan. 10, 2019 (CN) 201930013433.4

(51) **LOC (13) Cl.** **27-02**

(52) **U.S. Cl.**
USPC **D27/162**

(58) **Field of Classification Search**
USPC D27/100, 101, 139, 141, 148, 157,
D27/161-171, 183, 185-194; D13/108,
(Continued)

(56) **References Cited**

U.S. PATENT DOCUMENTS

D481,314 S * 10/2003 Noonan D9/438
6,948,630 B2 * 9/2005 Julian B65D 1/023
215/232

(Continued)

FOREIGN PATENT DOCUMENTS

CN 303291594 * 7/2015
CN 303654738 * 4/2016

(Continued)

OTHER PUBLICATIONS

Trinity Alpha, published Apr. 3, 2019 [online], [retrieved Jan. 13, 2021], Available from Internet, URL: https://web.archive.org/web/20190403053733/https://www.smoktech.com/kit/trinity-alpha.*

Primary Examiner — Dana K Weiland

Assistant Examiner — Mary Claire Ramirez

(74) *Attorney, Agent, or Firm* — IP-Pal Patent US; Klaus Michael Schmid

(57) **CLAIM**

The ornamental design for an electronic cigarette, as shown and described.

DESCRIPTION

FIG. 1 is a perspective front View of an electronic cigarette showing the new design in a first embodiment;

FIG. 2 is a left side View thereof;

FIG. 3 is a right side View thereof;

FIG. 4 is a front View thereof;

FIG. 5 is a rear View thereof;

FIG. 6 is a top View thereof;

FIG. 7 is a bottom View thereof;

FIG. 8 is a perspective front View of the electronic cigarette in a second embodiment;

FIG. 9 is a left side View thereof;

FIG. 10 is a right side View thereof;

FIG. 11 is a front View thereof;

FIG. 12 is a rear View thereof;

FIG. 13 is a top View thereof;

FIG. 14 is a bottom View thereof;

FIG. 15 is a perspective front View of the electronic cigarette in a third embodiment;

FIG. 16 is a left side View thereof;

FIG. 17 is a right side View thereof;

FIG. 18 is a front View thereof;

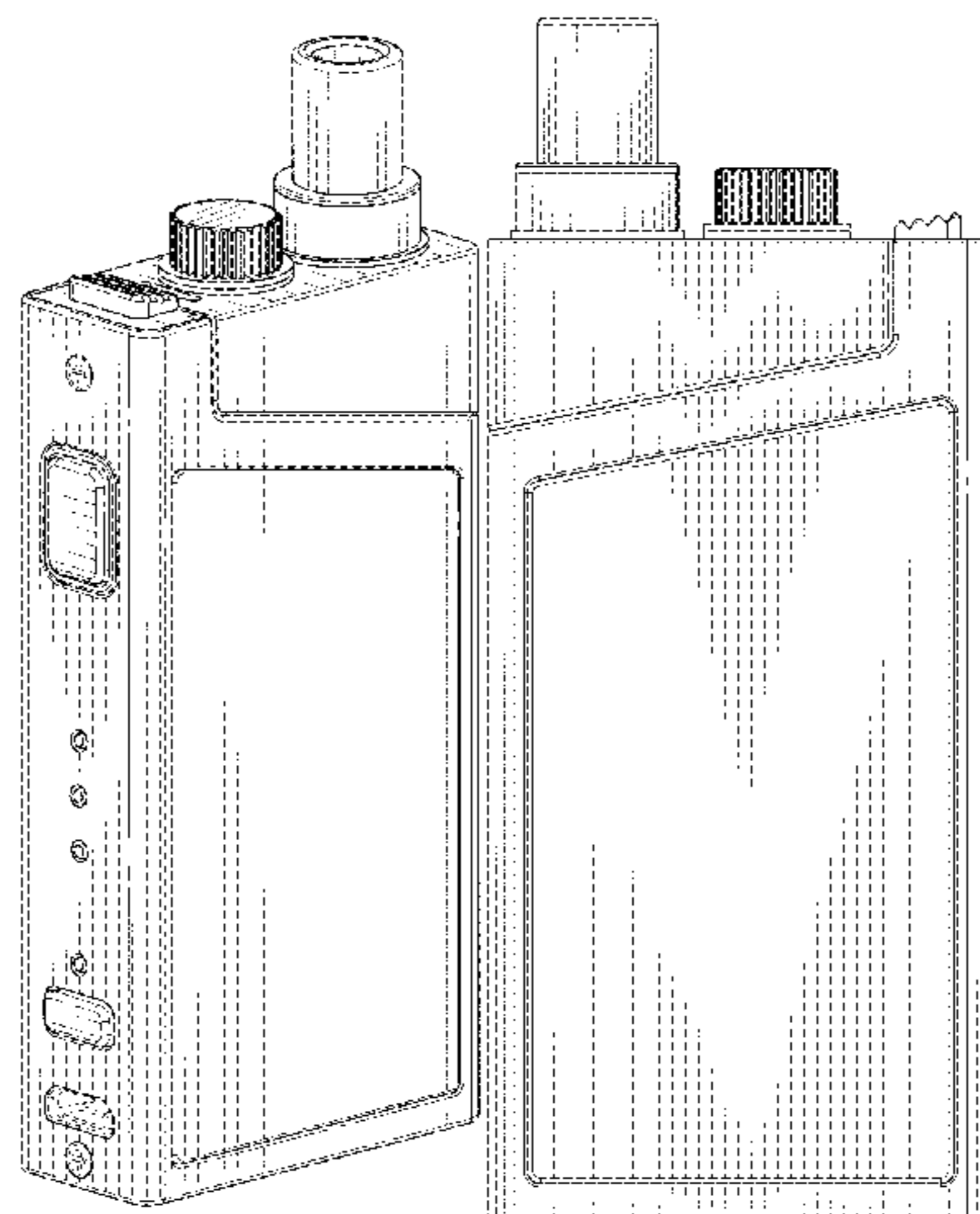
FIG. 19 is a rear View thereof;

FIG. 20 is a top View thereof; and,

FIG. 21 is a bottom View thereof.

The broken lines in the drawings are for the purpose of illustrating portions of the electronic cigarette that form no part of the claimed design.

1 Claim, 18 Drawing Sheets



(58) **Field of Classification Search**

USPC D13/144, 103, 119, 146, 168; D23/360,
D23/364-366; D24/110, 110.5, 129, 113,
D24/112; D14/411, 434, 480.5, 480.1,
D14/480.3, 483, 484.1, 137, 250, 251,
D14/480.7
CPC A24F 40/00; A24F 40/40; A24F 40/42;
A24F 40/05; A24F 40/46; A24F 47/002;
A24F 47/008; A24D 1/14; A24D 1/042;
A24D 1/02; G06F 3/03545; A61M 15/06
See application file for complete search history.

(56) **References Cited**

U.S. PATENT DOCUMENTS

D527,631 S * 9/2006 Mallet D9/449
D566,555 S * 4/2008 Berman D9/453
D573,022 S * 7/2008 Berman D9/453
D584,149 S * 1/2009 Lohrman D9/453
D606,864 S * 12/2009 Robinson D9/453
D632,958 S * 2/2011 Fuchs D9/453
D634,633 S * 3/2011 Moreau D9/453
D663,891 S * 7/2012 Cohen Harel D27/157
D679,829 S * 4/2013 Clark D24/224
D687,299 S * 8/2013 Peykoff D9/453
D688,128 S * 8/2013 Krause B65D 51/245
D9/453
D723,919 S * 3/2015 Taber D9/453
D748,325 S * 1/2016 Leidel D27/163
D773,114 S * 11/2016 Leidel D27/163
D782,312 S * 3/2017 Soriano Tato D9/453
D788,362 S * 5/2017 Qiu D27/101
D790,766 S * 6/2017 Li D27/163
D792,219 S * 7/2017 Bueno Nunez D9/453
D799,746 S * 10/2017 Leidel D27/163
D800,377 S * 10/2017 Liu D27/101
D805,470 S * 12/2017 Qiu D13/103
9,867,399 B1 * 1/2018 Liu A24F 47/008
D811,877 S * 3/2018 Yu D9/436
D814,693 S * 4/2018 Qiu D27/101
D819,880 S * 6/2018 Qiu D27/101
D821,639 S * 6/2018 Dai D27/162
D828,622 S * 9/2018 Chen D27/162
D835,840 S * 12/2018 Liu D27/162
D842,238 S * 3/2019 Qiu D13/103
D842,243 S * 3/2019 Qiu D13/108
D842,703 S * 3/2019 Lam D9/528
D869,274 S * 12/2019 Kim D9/453
D869,275 S * 12/2019 Taunk D9/453

D870,034 S * 12/2019 Lai D13/103
D871,905 S * 1/2020 Kim B65D 41/3428
D9/453
D873,139 S * 1/2020 Chapin D9/453
D874,276 S * 2/2020 Byron D9/453
D877,884 S * 3/2020 Davis D24/108
D881,458 S * 4/2020 Ouyang D27/162
D881,459 S * 4/2020 Ouyang D27/162
D885,332 S * 5/2020 Han D13/108
D885,899 S * 6/2020 Edie D9/452
D885,900 S * 6/2020 Edie D9/452
D885,902 S * 6/2020 Berroa Garcia D9/452
D885,903 S * 6/2020 Rane D9/453
D885,904 S * 6/2020 Kim D9/453
D892,039 S * 8/2020 Chen D13/103
D905,629 S * 12/2020 Sadot D13/108
D907,288 S * 1/2021 Liu D27/162
D910,907 S * 2/2021 Liu D27/162
D911,599 S * 2/2021 Sun D27/162
10,925,320 B2 * 2/2021 Chen A24F 40/40
D914,275 S * 3/2021 Ouyang D27/162
D914,278 S * 3/2021 Luo D27/162
D917,381 S * 4/2021 Ouyang D13/103
11,019,849 B2 * 6/2021 Chen A61M 15/0081
D925,821 S * 7/2021 Cruice D27/162
D927,053 S * 8/2021 Liu D27/162
D928,393 S * 8/2021 Powell D27/162
D932,093 S * 9/2021 Shi D27/162
D932,095 S * 9/2021 Liu D27/162
2011/0017741 A1 * 1/2011 Sprishen B65D 41/045
D9/453
2018/0013175 A1 * 1/2018 Liu H01M 10/425
2018/0035715 A1 * 2/2018 Wu A24F 40/60
2019/0174831 A1 * 6/2019 Qiu A61M 15/06
2019/0223498 A1 * 7/2019 Ouyang H01M 2/1022
2019/0328044 A1 * 10/2019 Qiu A24F 40/49
2020/0008467 A1 * 1/2020 Ouyang A24F 40/40
2020/0205476 A1 * 7/2020 Wen A24F 40/40
2020/0404964 A1 * 12/2020 Ouyang A24F 40/40
2021/0022393 A1 * 1/2021 Ouyang A24F 40/50
2021/0059304 A1 * 3/2021 Ouyang A24F 40/40

FOREIGN PATENT DOCUMENTS

CN 303972371 * 12/2016
CN 303978180 * 12/2016
CN 304316155 * 10/2017
CN 304769448 * 8/2018
EM 003045657-0001 * 6/2016

* cited by examiner

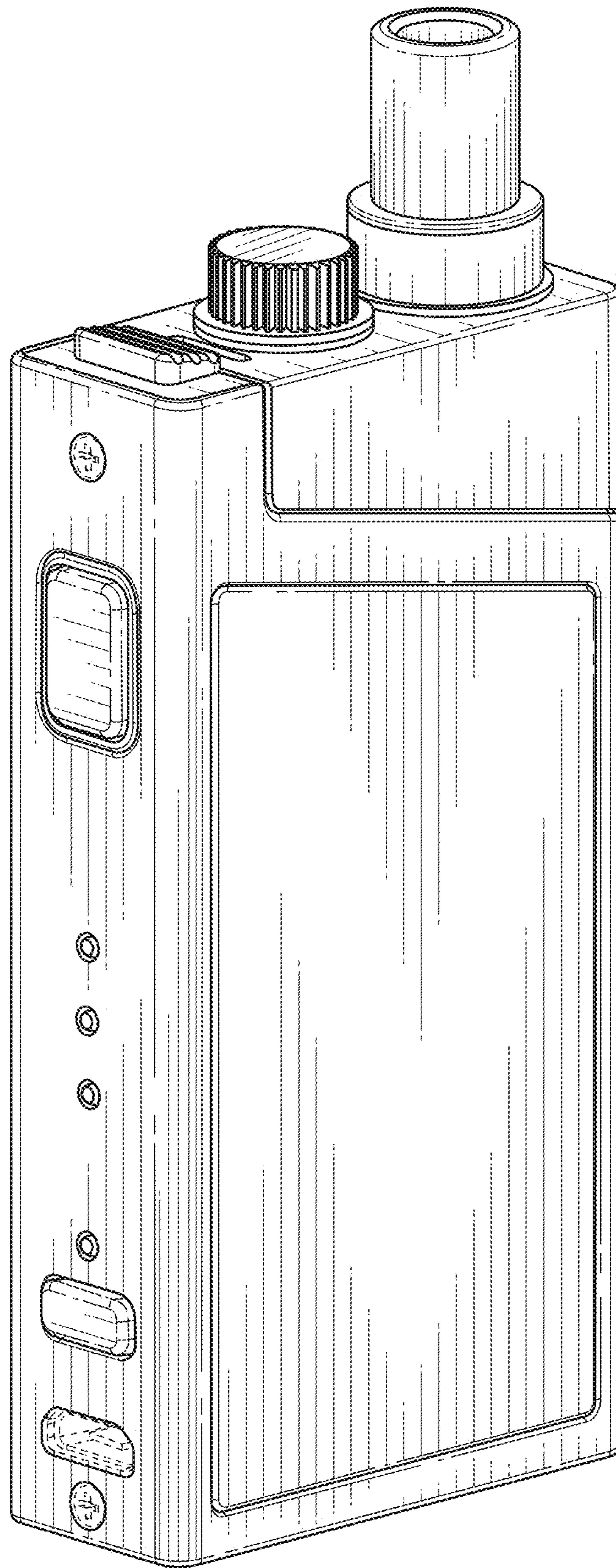


FIG. 1

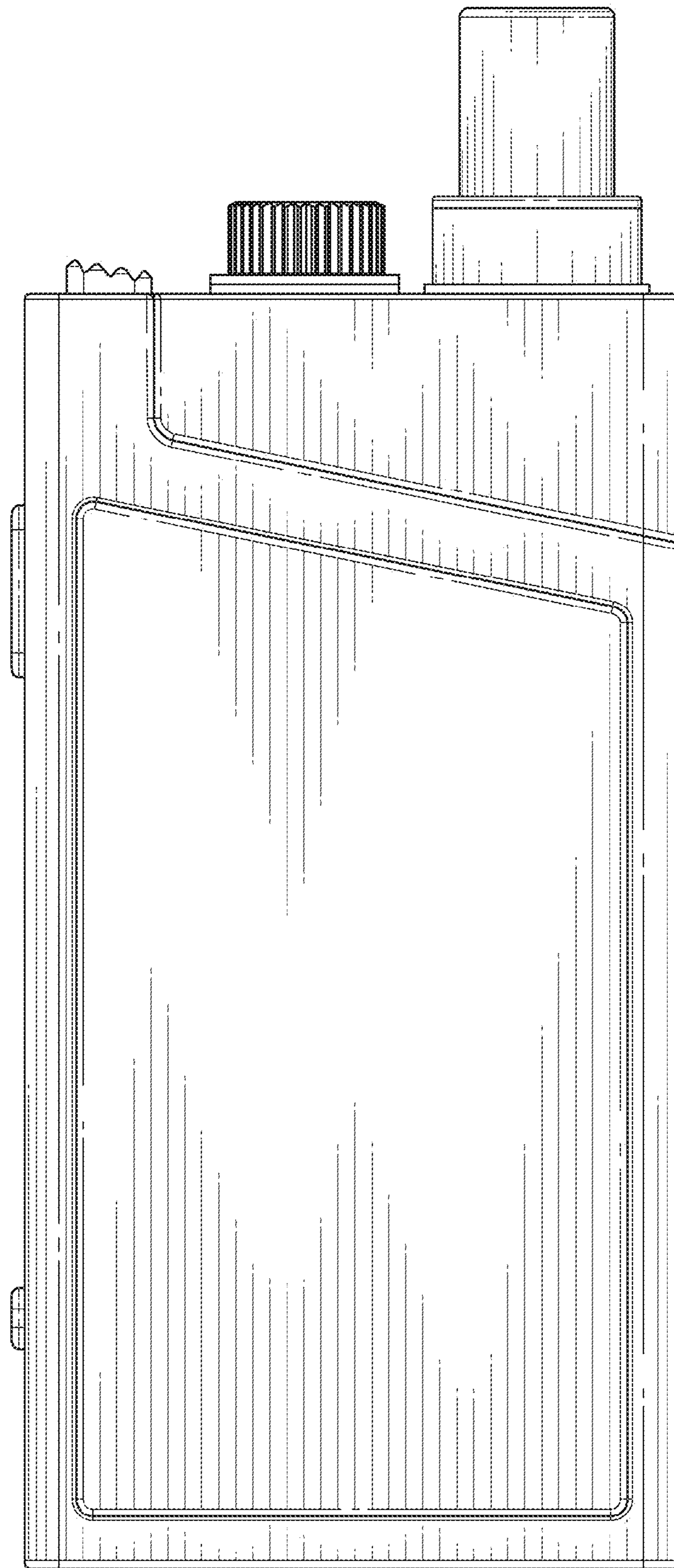


FIG. 2

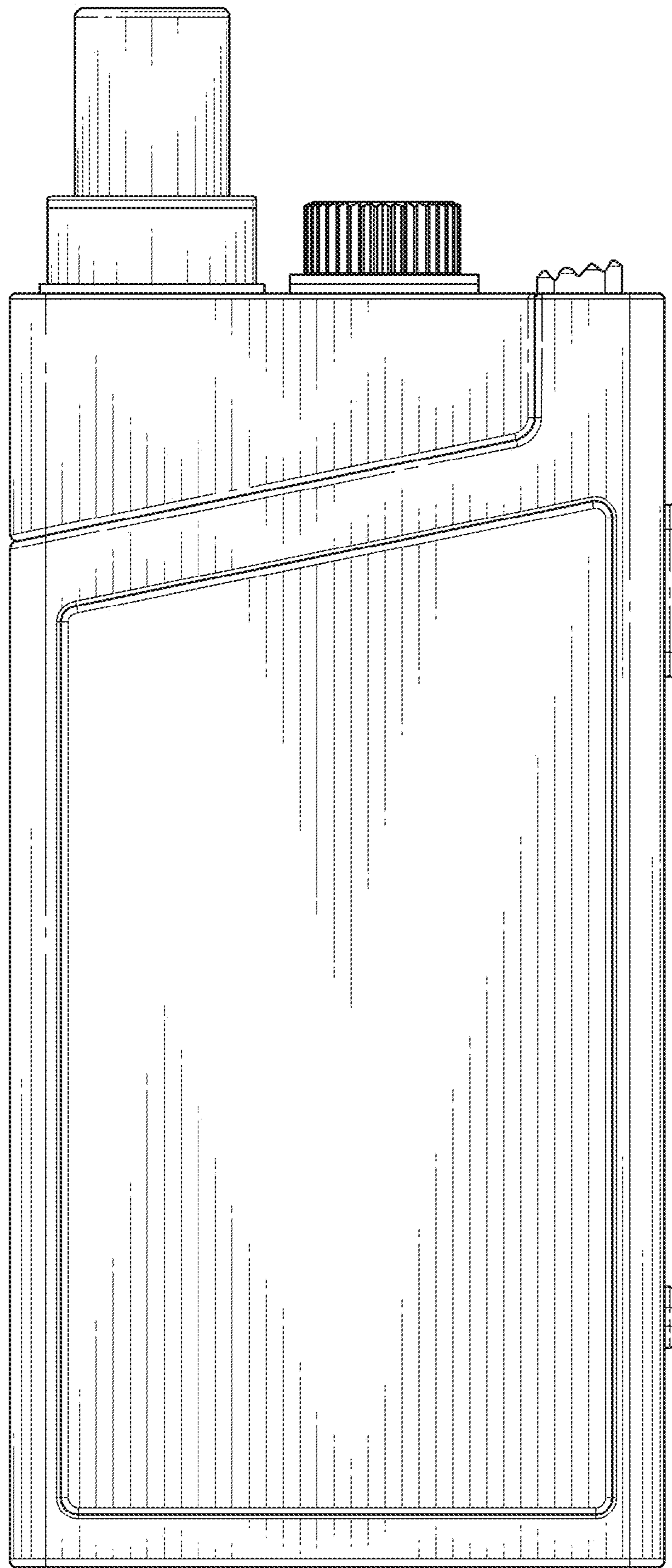


FIG. 3

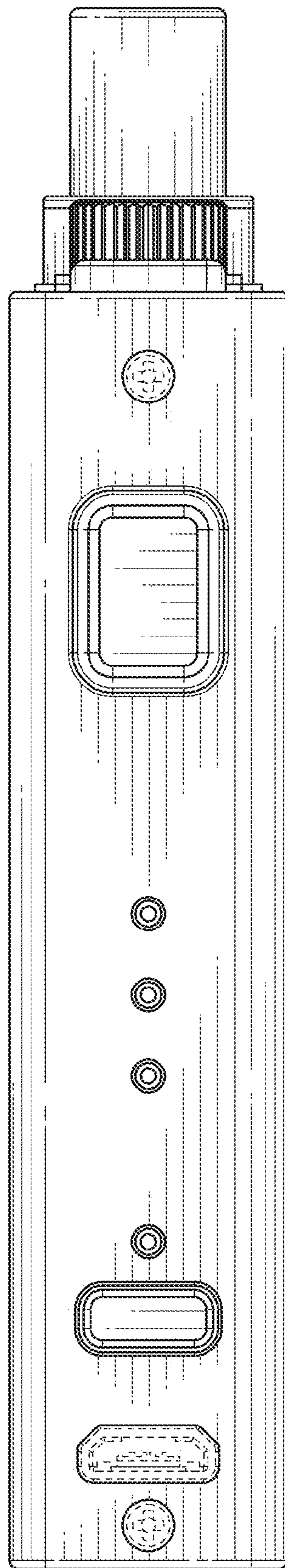


FIG. 4

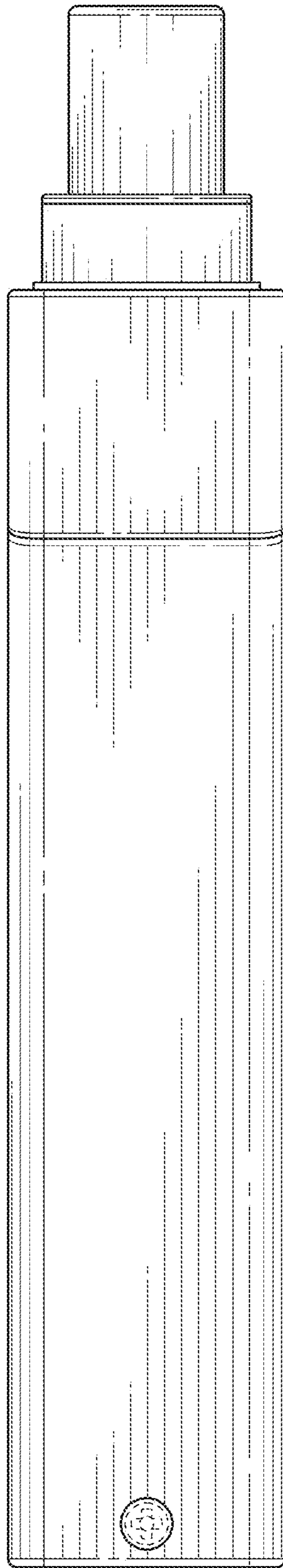


FIG. 5

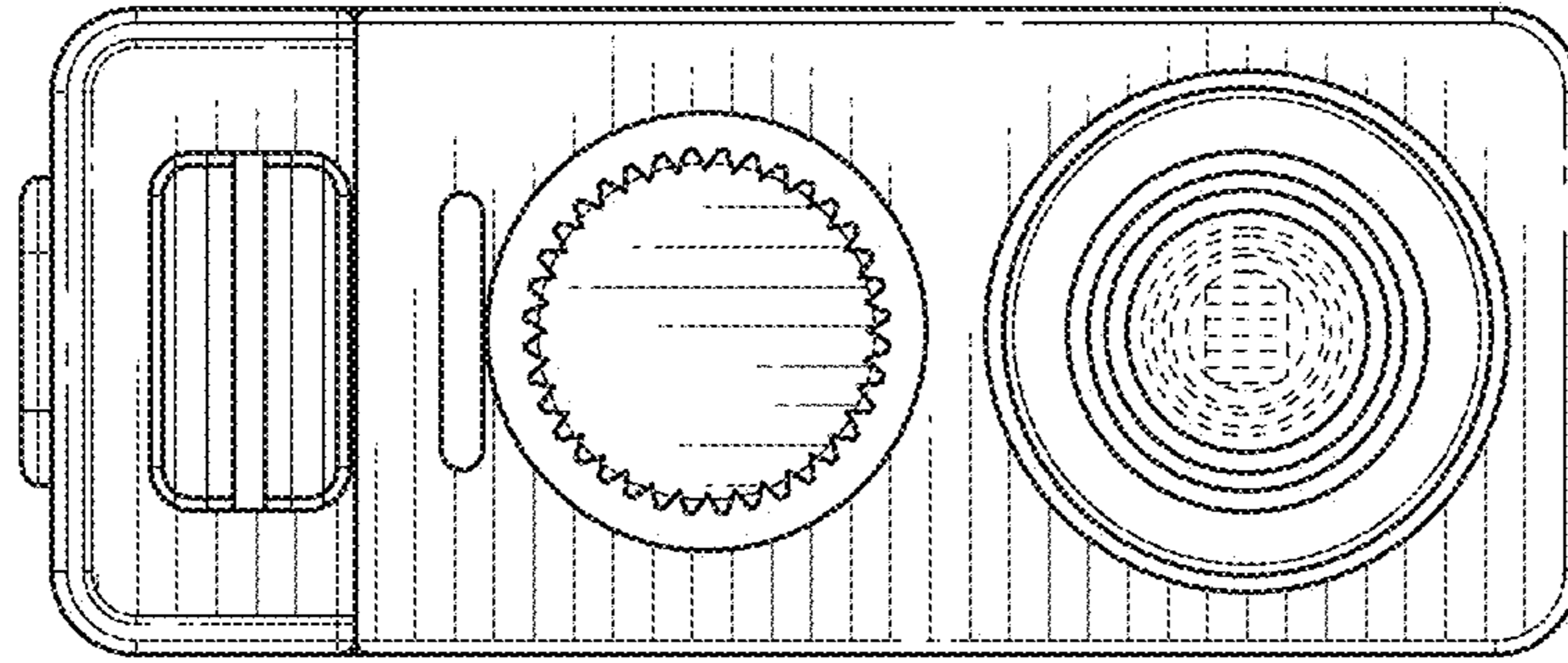


FIG. 6

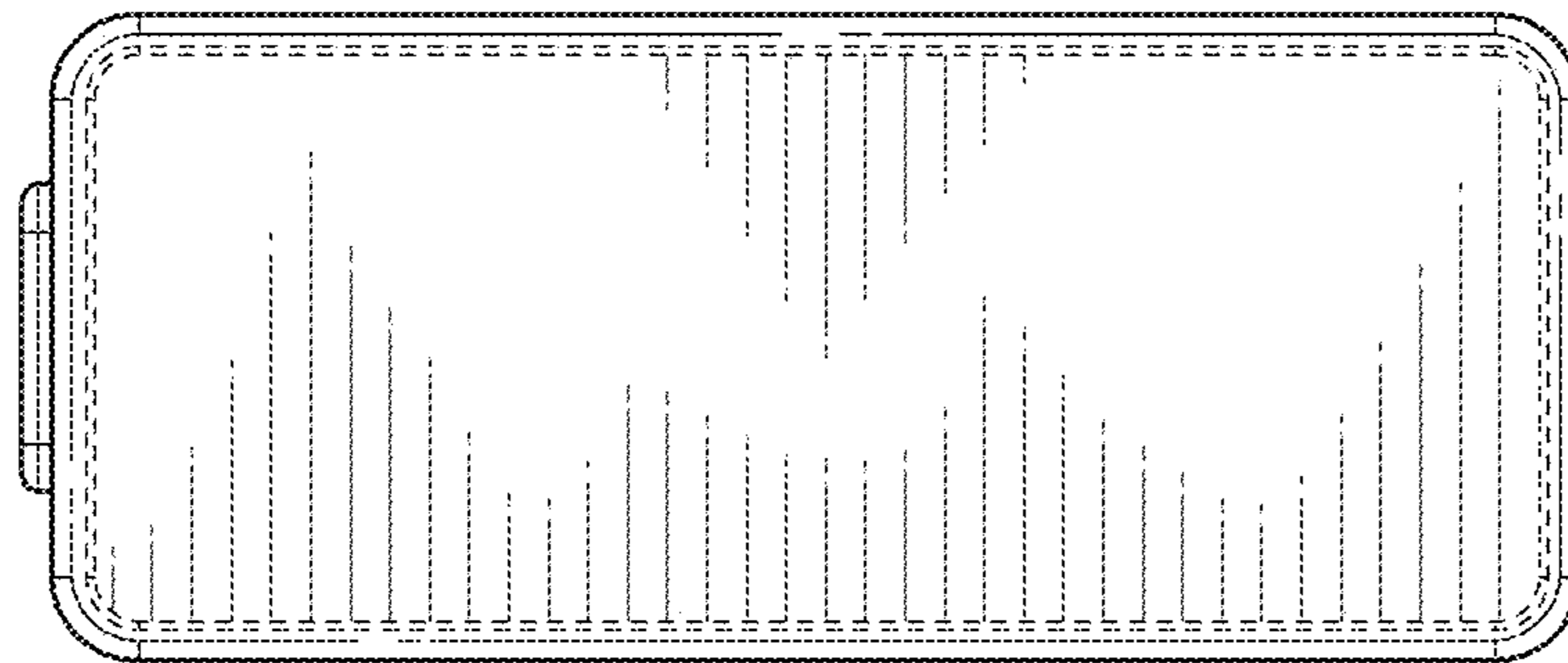


FIG. 7

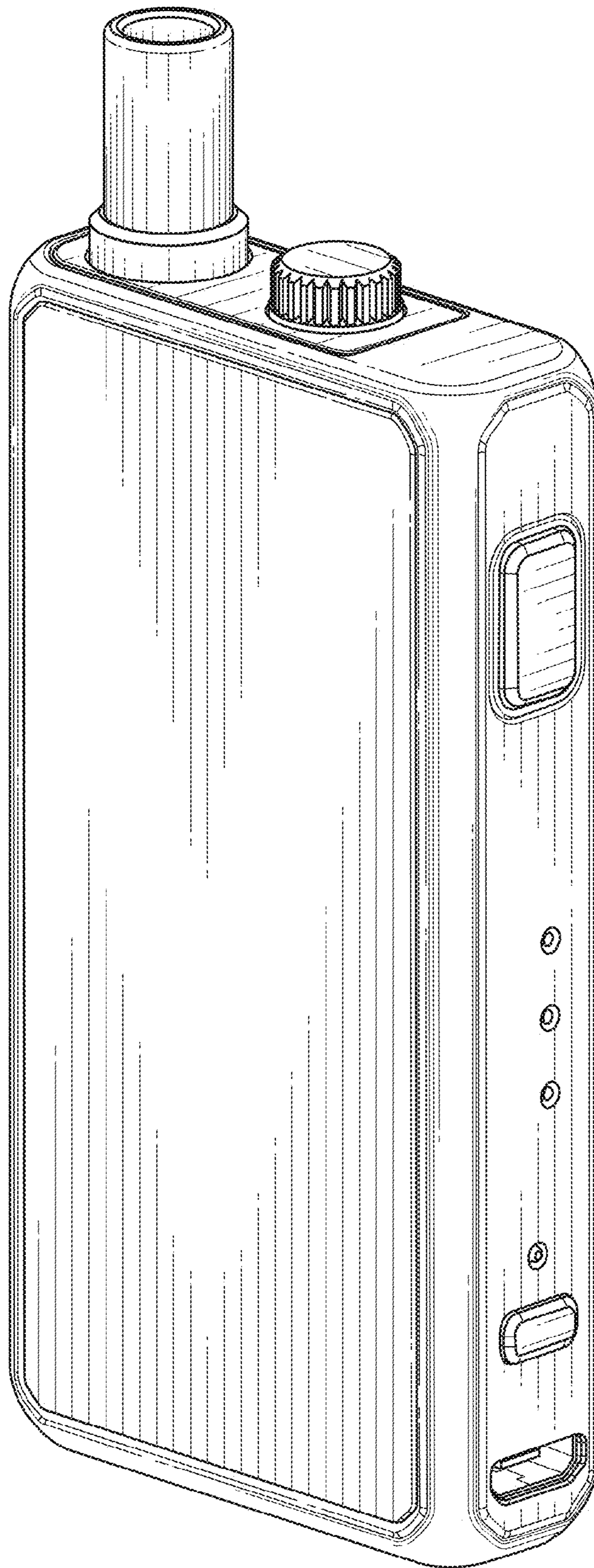


FIG. 8

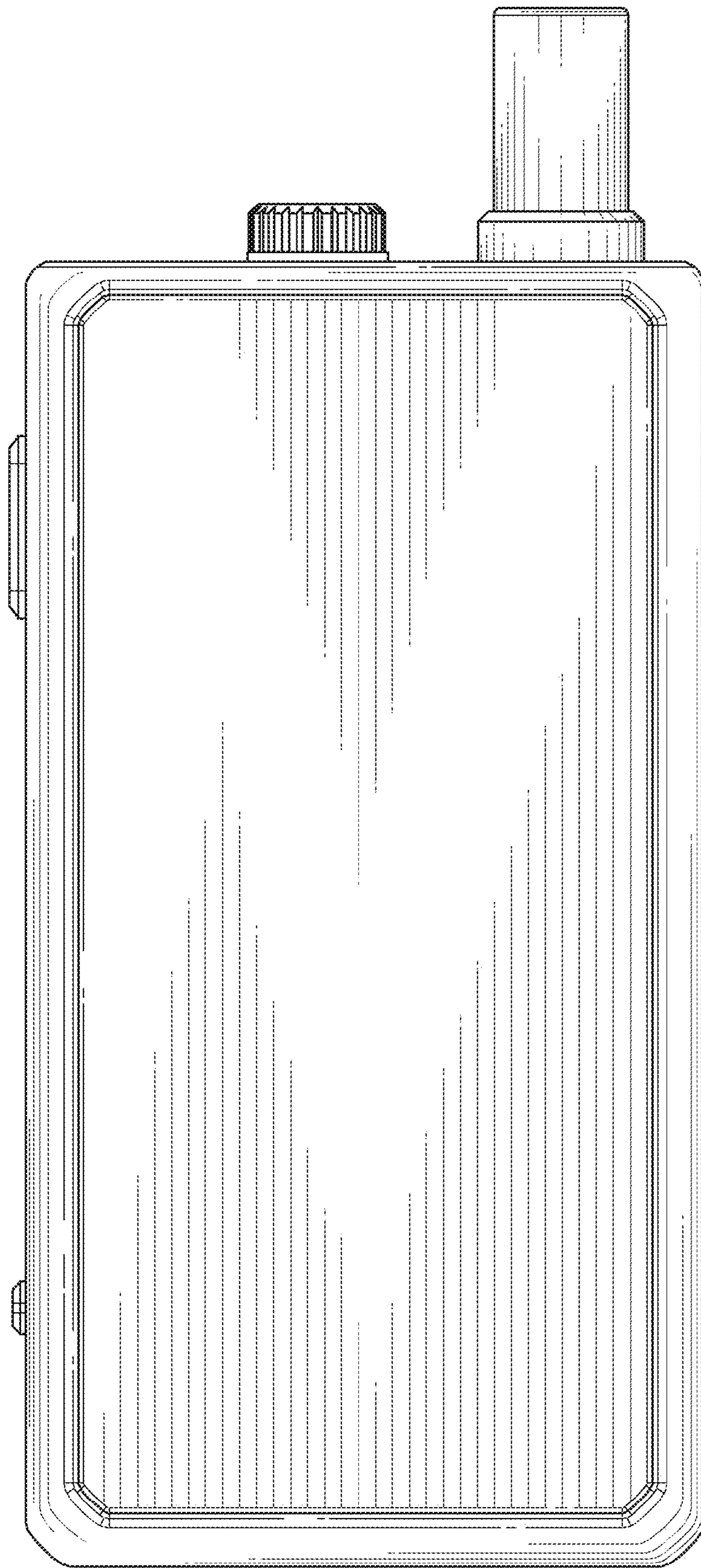


FIG. 9

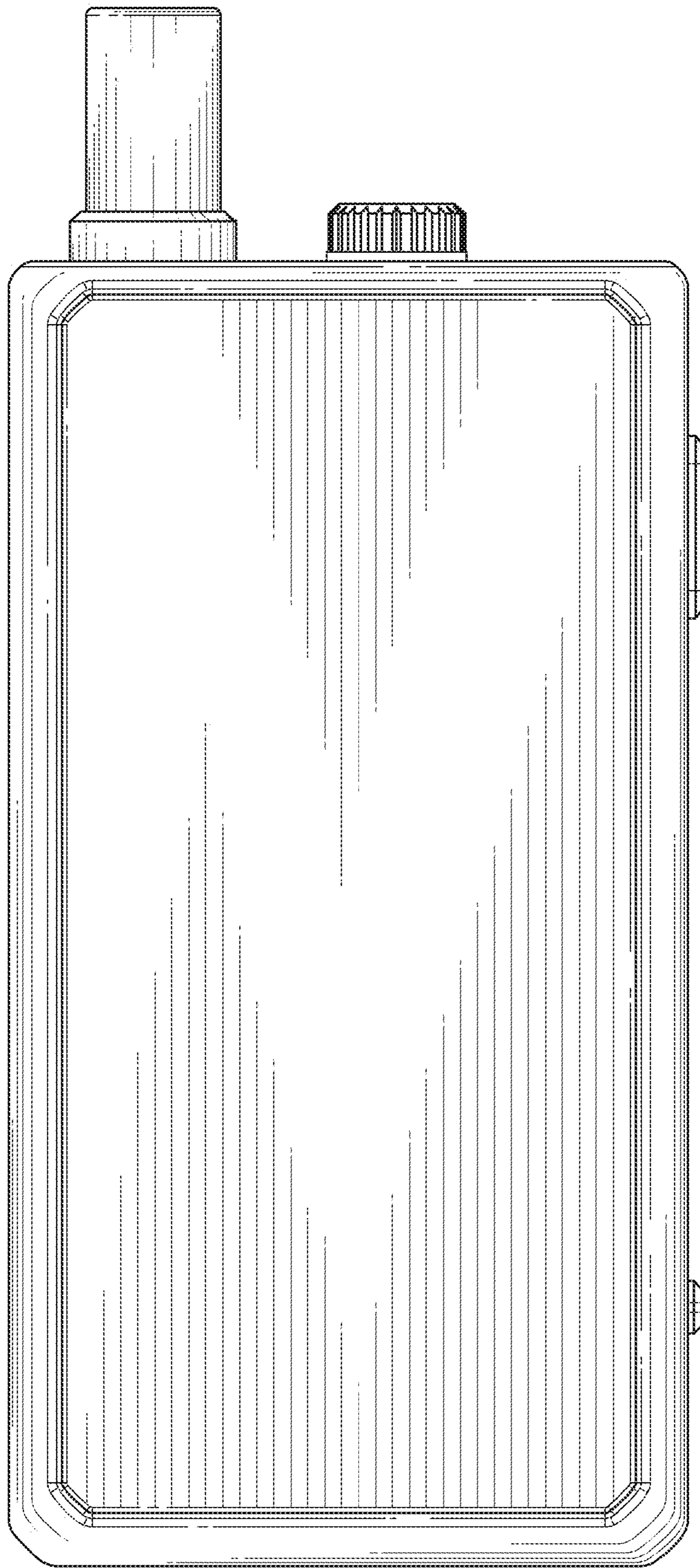


FIG. 10

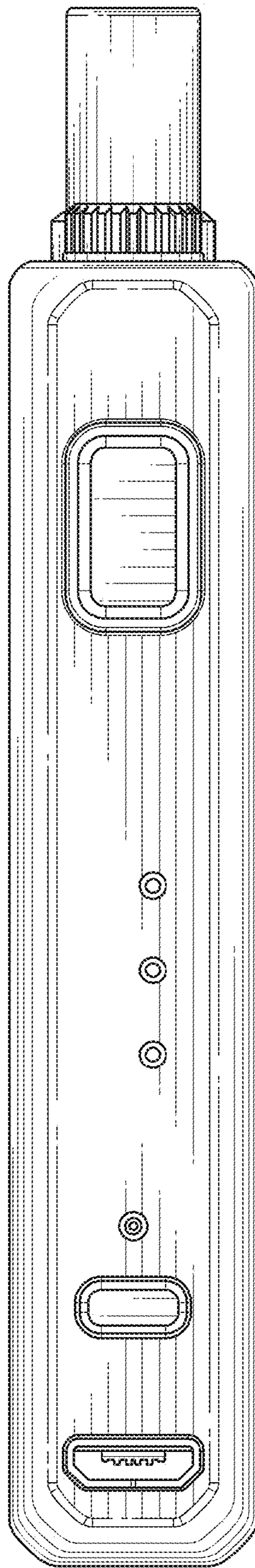


FIG. 11

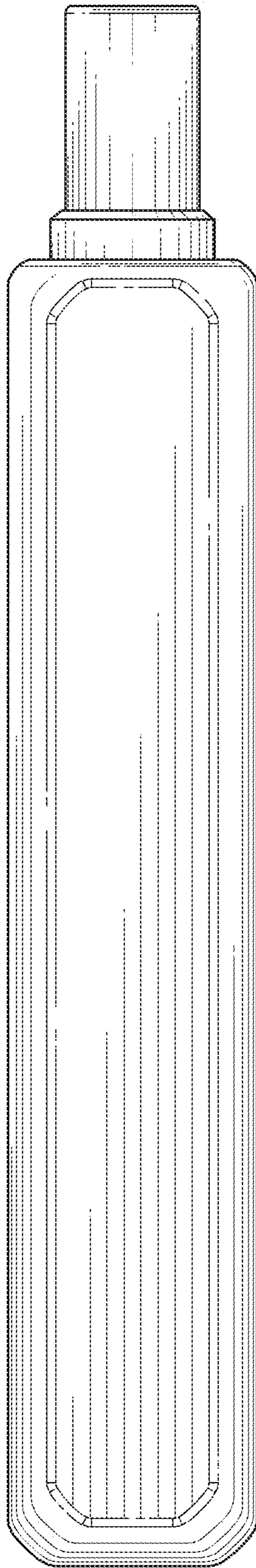


FIG. 12

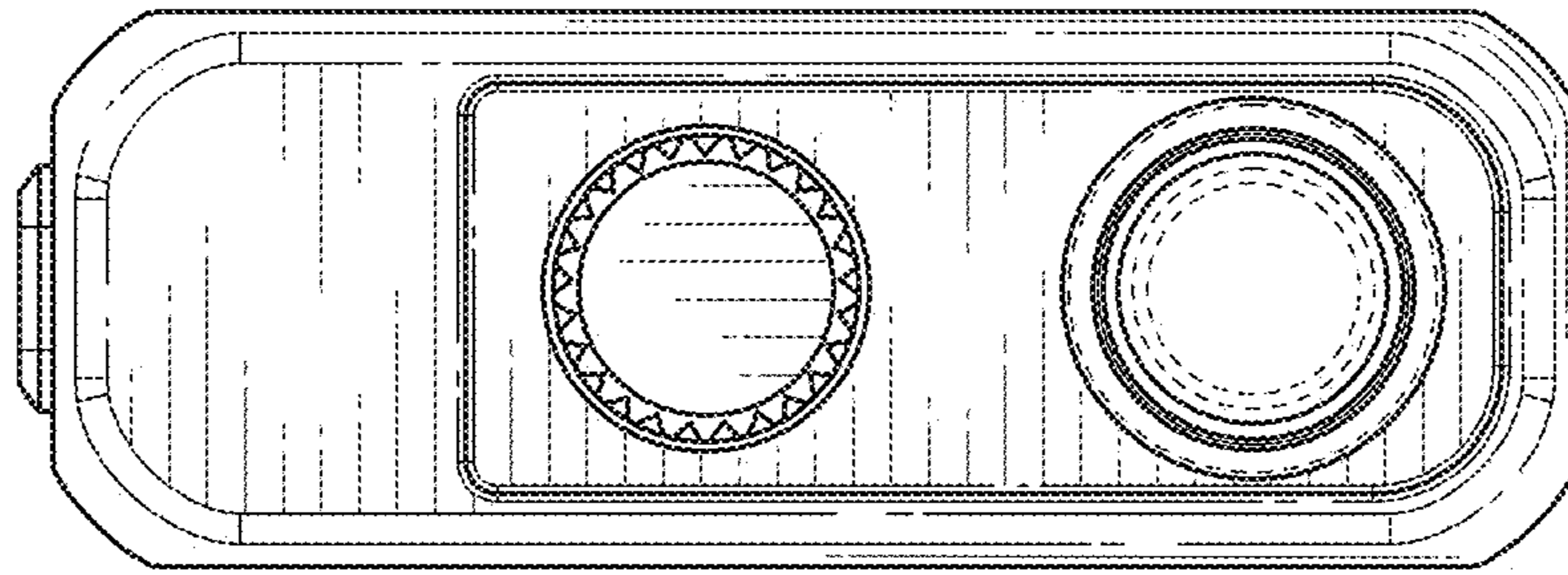


FIG. 13

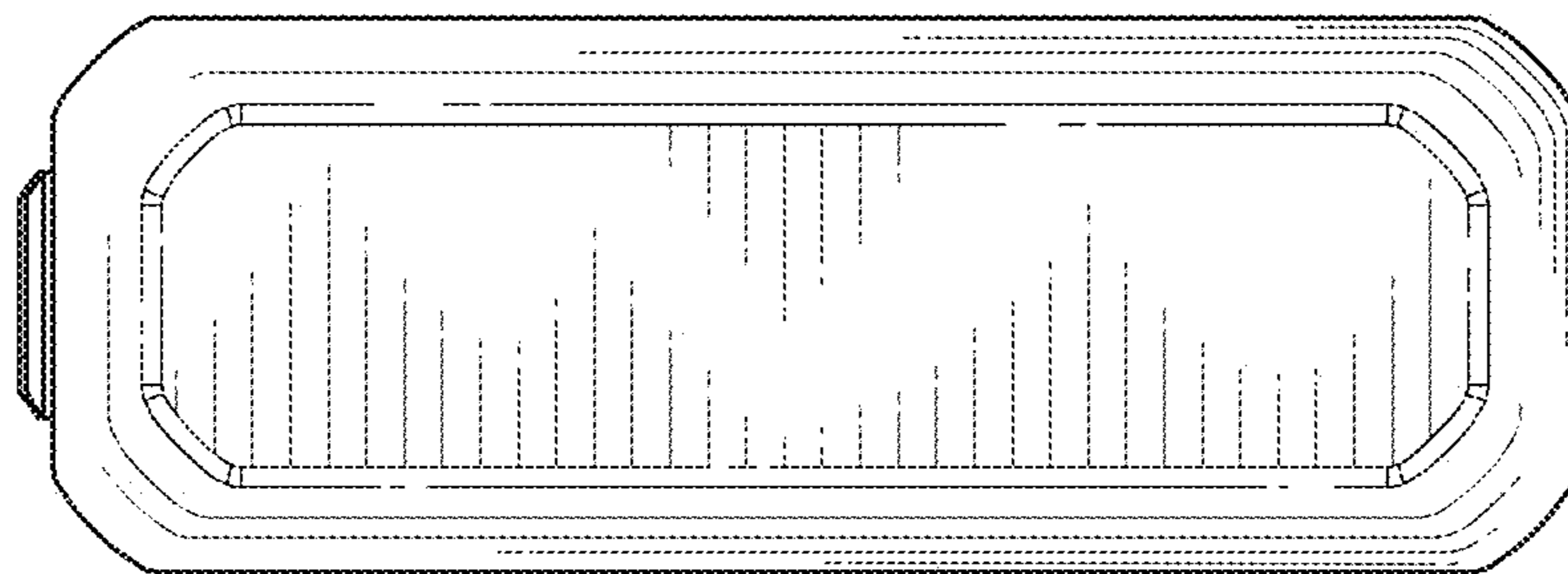


FIG. 14

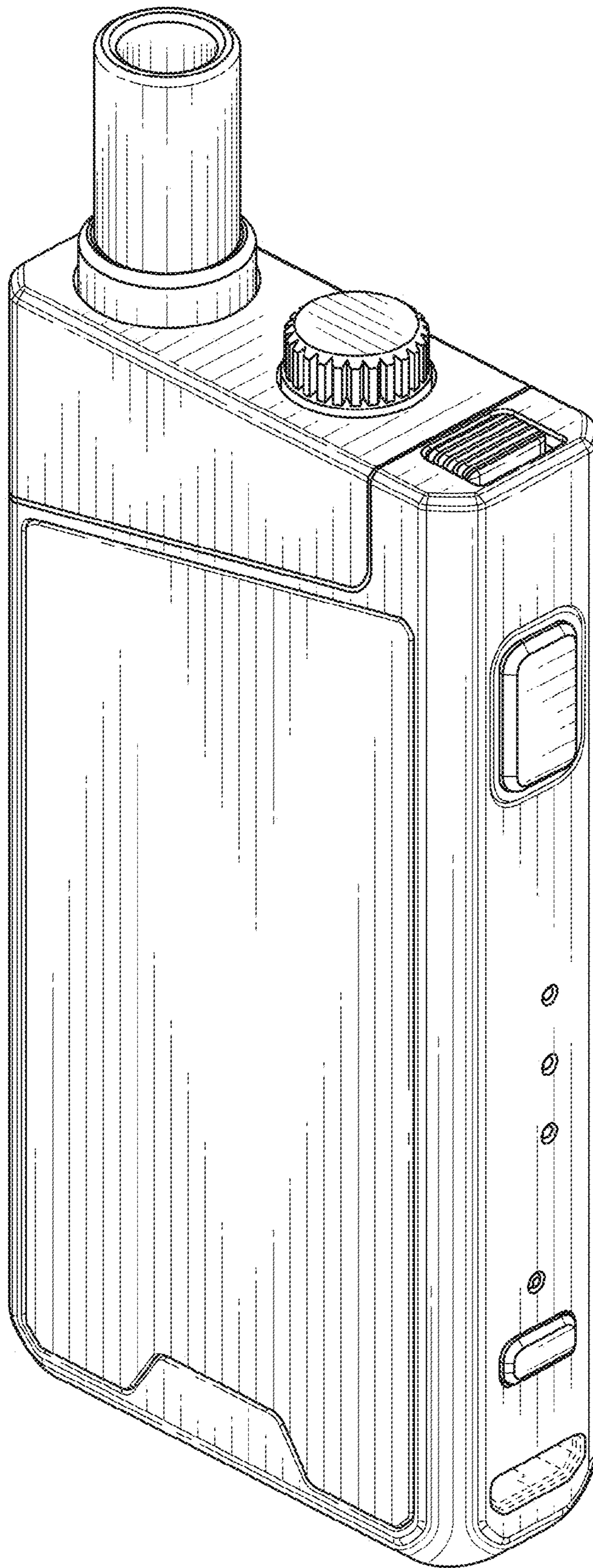


FIG. 15

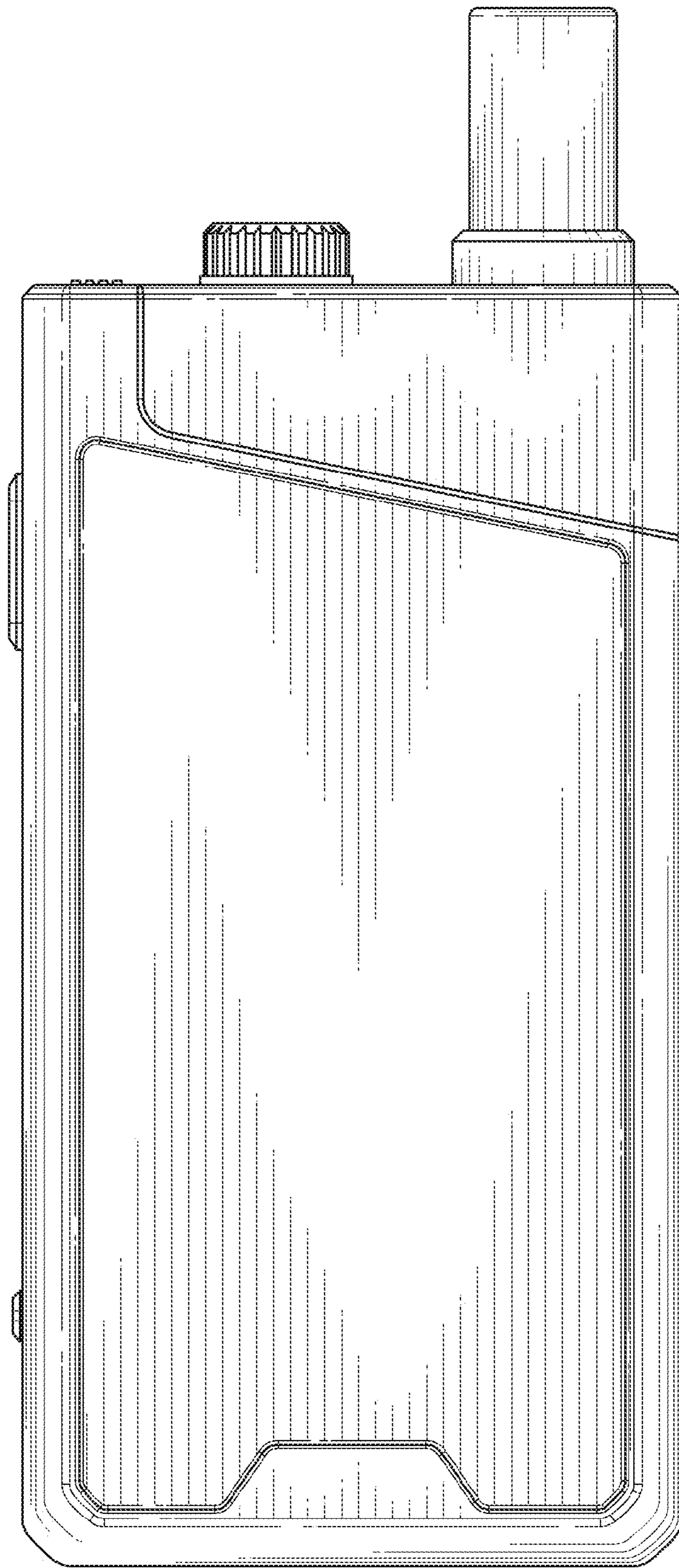


FIG. 16

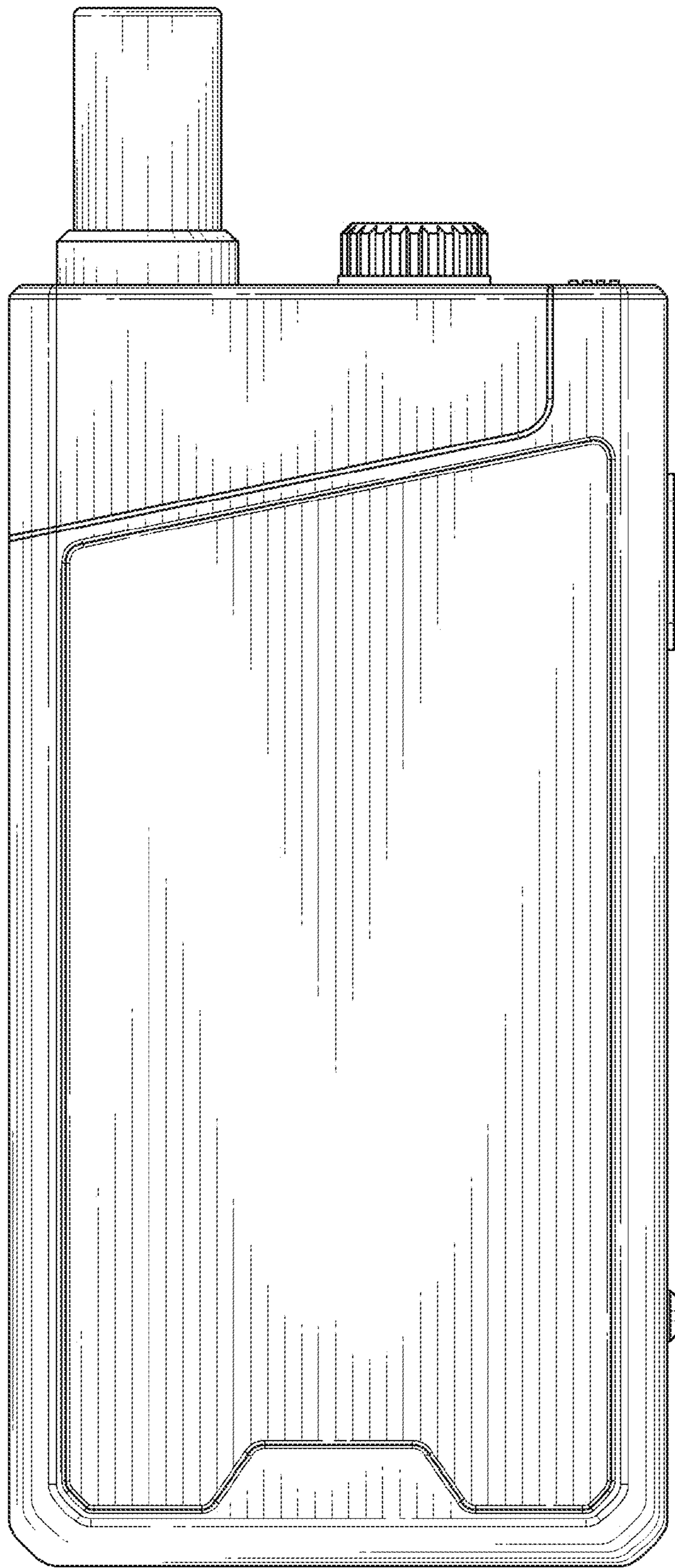


FIG. 17

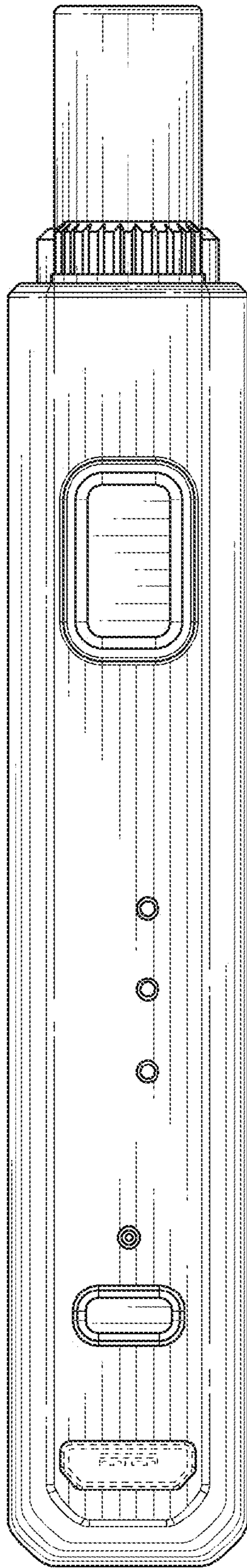


FIG. 18

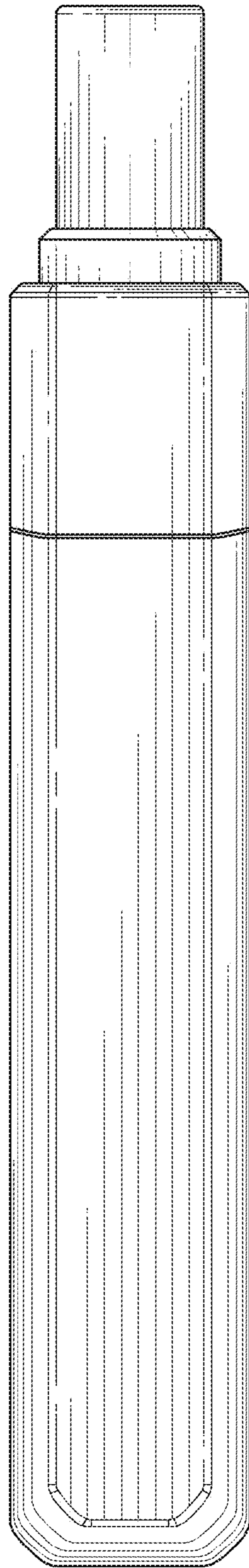


FIG. 19

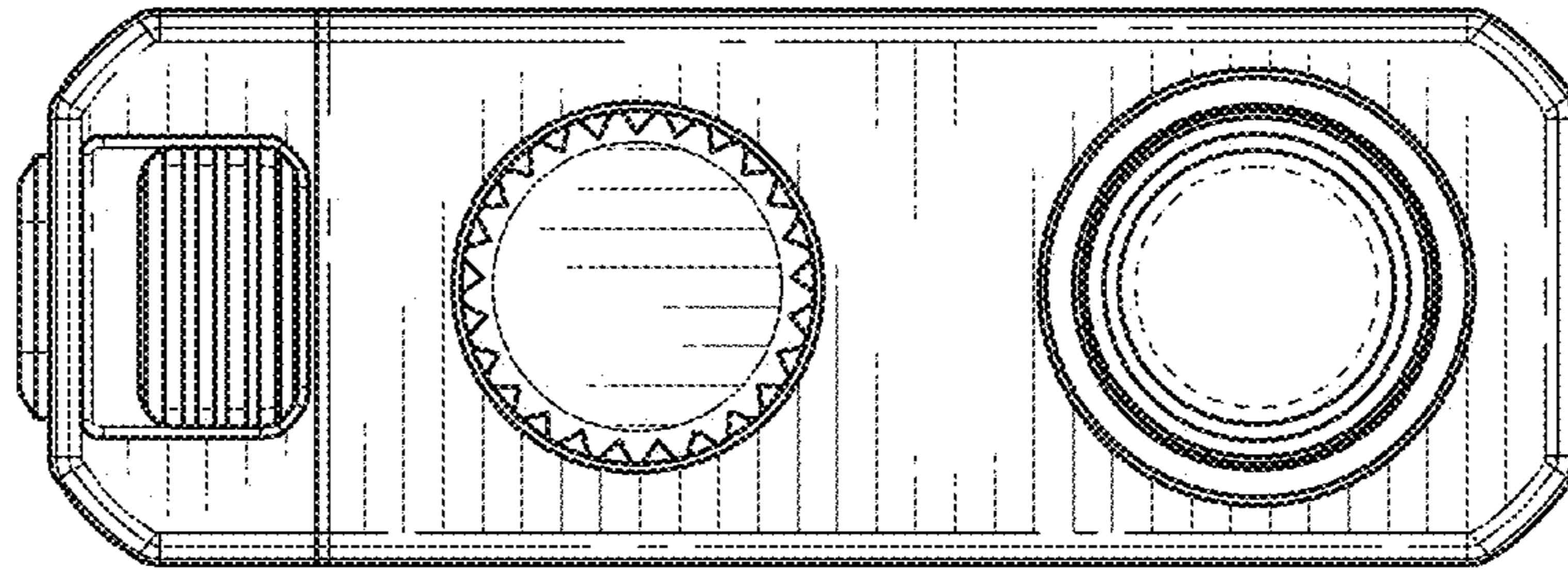


FIG. 20

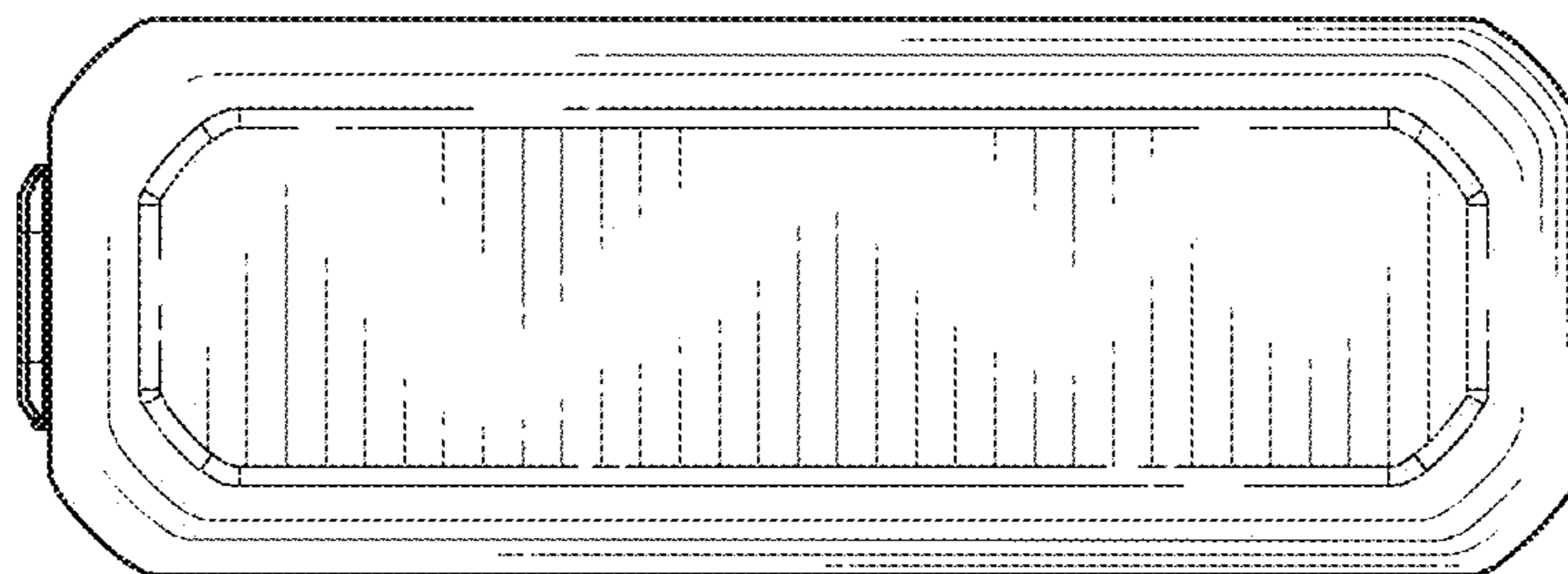


FIG. 21