

US00D942670S

(12) **United States Design Patent** (10) **Patent No.:** **US D942,670 S**  
**Xu** (45) **Date of Patent:** **\*\* Feb. 1, 2022**

(54) **LIGHT STRING BRACKET POLE**

FOREIGN PATENT DOCUMENTS

(71) Applicant: **Hongtao Xu**, Guangdong (CN)

CA 144281 \* 9/2012

(72) Inventor: **Hongtao Xu**, Guangdong (CN)

OTHER PUBLICATIONS

(\*\*) Term: **15 Years**

Amazon, "Outdoor String Lights, String Light Terrace", first available Oct. 15, 2019. (<https://www.amazon.com/FLY-HAWK-Residential-Decoration-Suspended/dp/B07Z61CLXN>) (Year: 2019).\*

(21) Appl. No.: **29/752,562**

Amazon, "Brillihood Outside String Light Poles", first available Sep. 25, 2020. (<https://www.amazon.com/Brillihood-Adjustable-Stainless-Backyard-Christmas/dp/B08K2RTM55/?th=1>) (Year: 2020).\*

(22) Filed: **Sep. 28, 2020**

(Continued)

(51) **LOC (13) Cl.** ..... **26-05**

(52) **U.S. Cl.**  
USPC ..... **D26/93**

*Primary Examiner* — Lauren D McVey

*Assistant Examiner* — Justin A Johnson

(58) **Field of Classification Search**

USPC ..... D26/1, 2, 3, 24, 25, 93  
CPC .... F21L 2/00; F21S 2/00; F21V 21/10; F21V 21/108

(74) *Attorney, Agent, or Firm* — ScienBiziP, P.C.

See application file for complete search history.

(57) **CLAIM**

The ornamental design for a light string bracket pole, as shown and described.

(56) **References Cited**

**DESCRIPTION**

U.S. PATENT DOCUMENTS

D69,749 S *	3/1926	Ditcher	.....	D26/101
4,891,032 A *	1/1990	Davis	.....	A63H 33/00 446/484
D370,546 S *	6/1996	Huang	.....	D26/102
D387,884 S *	12/1997	Mackay	.....	D26/93
D483,516 S *	12/2003	Cohon	.....	D26/93
D501,576 S *	2/2005	Opolka	.....	D26/110
D505,223 S *	5/2005	Opolka	.....	D26/110
D720,089 S *	12/2014	Poon	.....	D26/5
D754,522 S	4/2016	Wicken		
D876,708 S *	2/2020	Tang	.....	A63H 33/00 D26/110
D929,022 S *	8/2021	Tang	.....	B60Q 1/2657 D26/106
2012/0147585 A1 *	6/2012	Girouard	.....	B60Q 1/2657 362/84
2021/0025554 A1 *	1/2021	Cheng	.....	F21V 33/00
2021/0116088 A1 *	4/2021	Bijl	.....	H05K 7/20136

FIG. 1 is a front perspective view of a light string bracket pole, showing my design.

FIG. 2 is a front elevation view thereof.

FIG. 3 is a rear elevation view thereof.

FIG. 4 is a left side elevation thereof.

FIG. 5 is a right side elevation thereof.

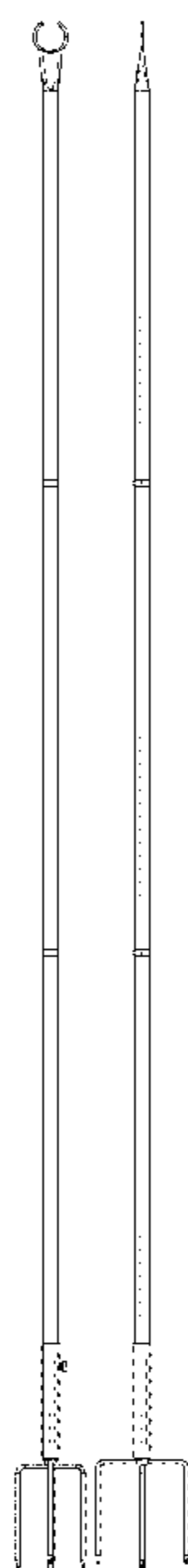
FIG. 6 is a top plan view thereof.

FIG. 7 is a bottom plan view thereof.

FIG. 8 is an enlarged view of an area labeled 8 in FIG. 1; and,

FIG. 9 is an enlarged view of an area labeled 9 in FIG. 1. The evenly spaced broken lines depict environmental structure and the dot-dash broken lines illustrate the enlargements of the design. The broken lines form no part of the claimed design.

**1 Claim, 9 Drawing Sheets**



(56)

**References Cited**

OTHER PUBLICATIONS

Amazon, "vantiorango Light Poles for Outside", first available Apr. 14, 2021. (<https://www.amazon.com/dp/B092J76W4B/>) (Year: 2021).\*

Amazon, "Panta String Light Pole for Outside", first available Apr. 20, 2021. (<https://www.amazon.com/dp/B092Y6Y4FK/>) (Year: 2021).\*

\* cited by examiner

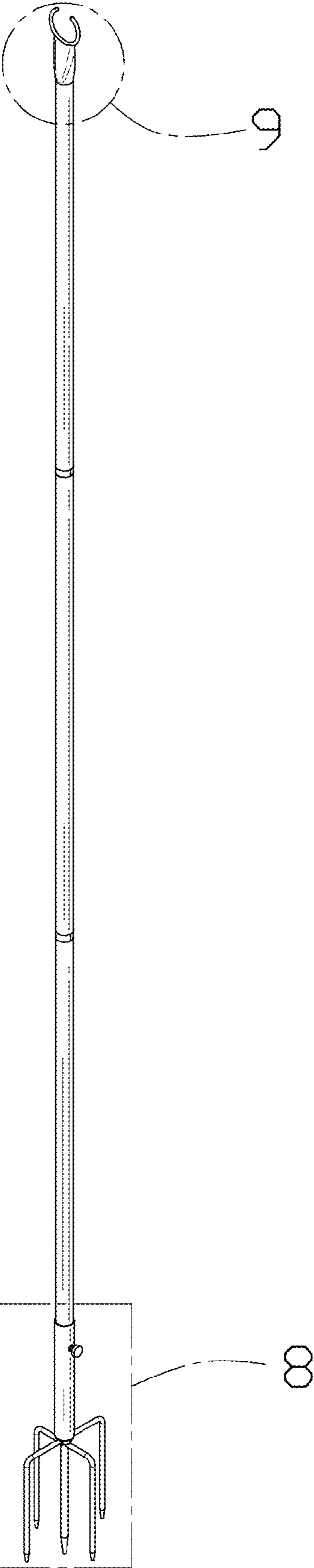


FIG. 1

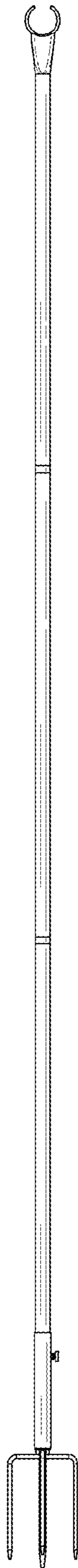


FIG. 2

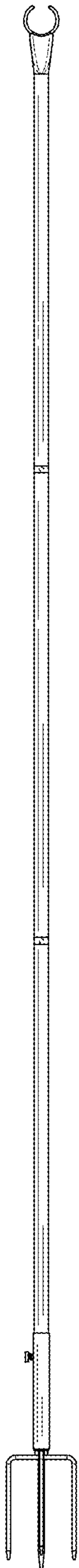


FIG. 3

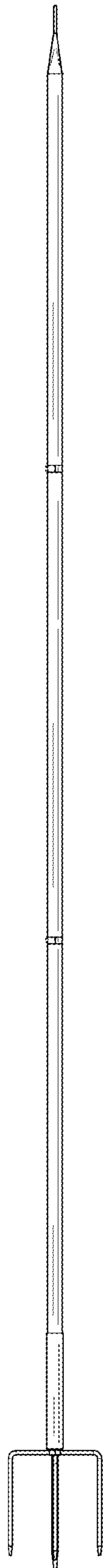


FIG. 4

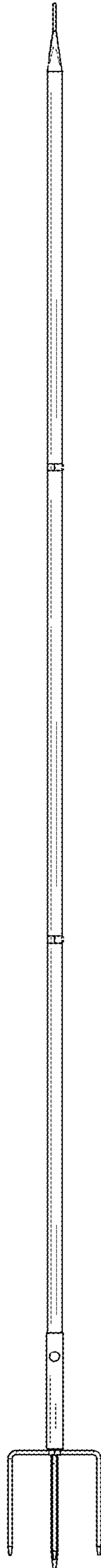


FIG. 5

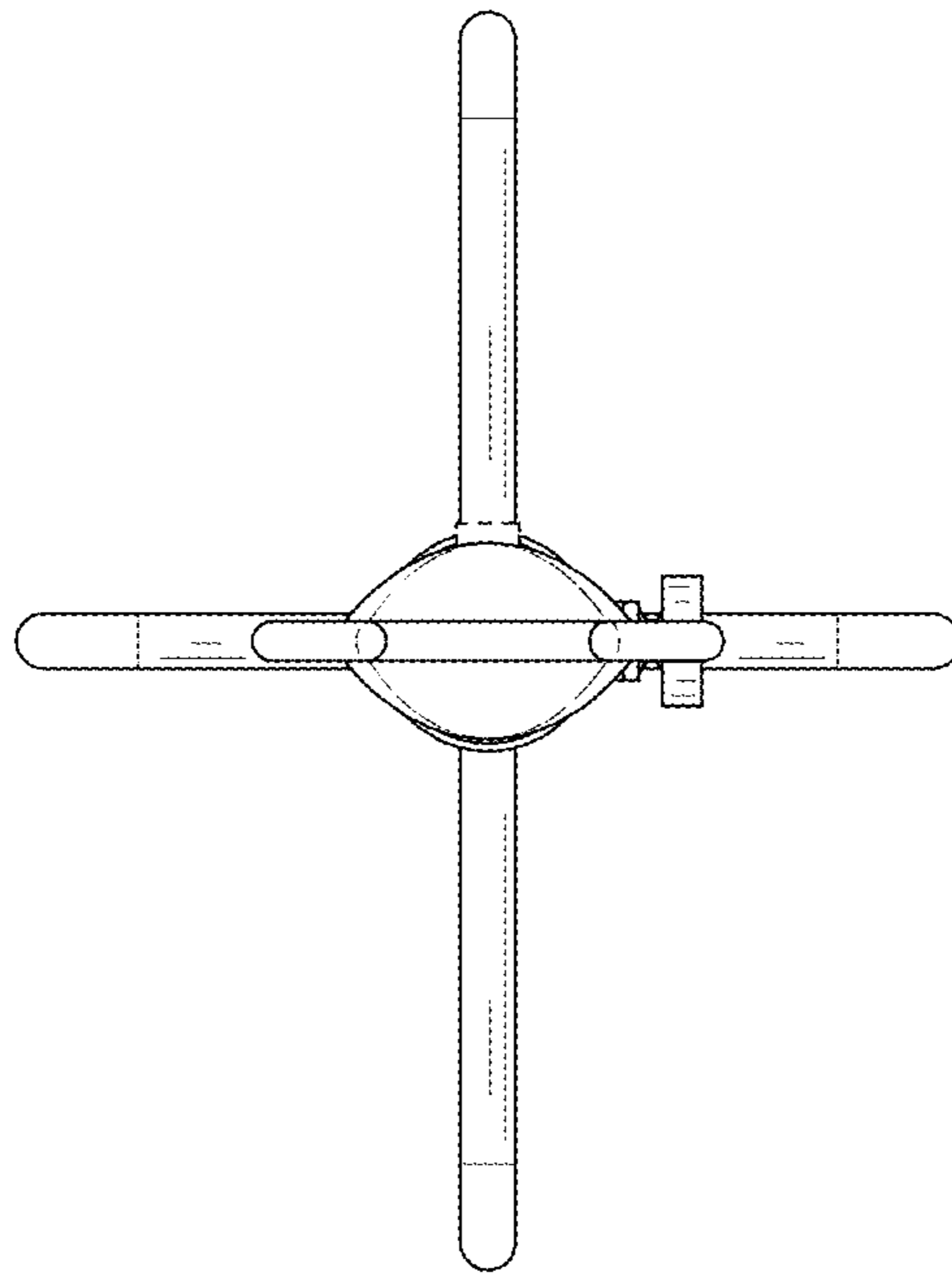


FIG. 6



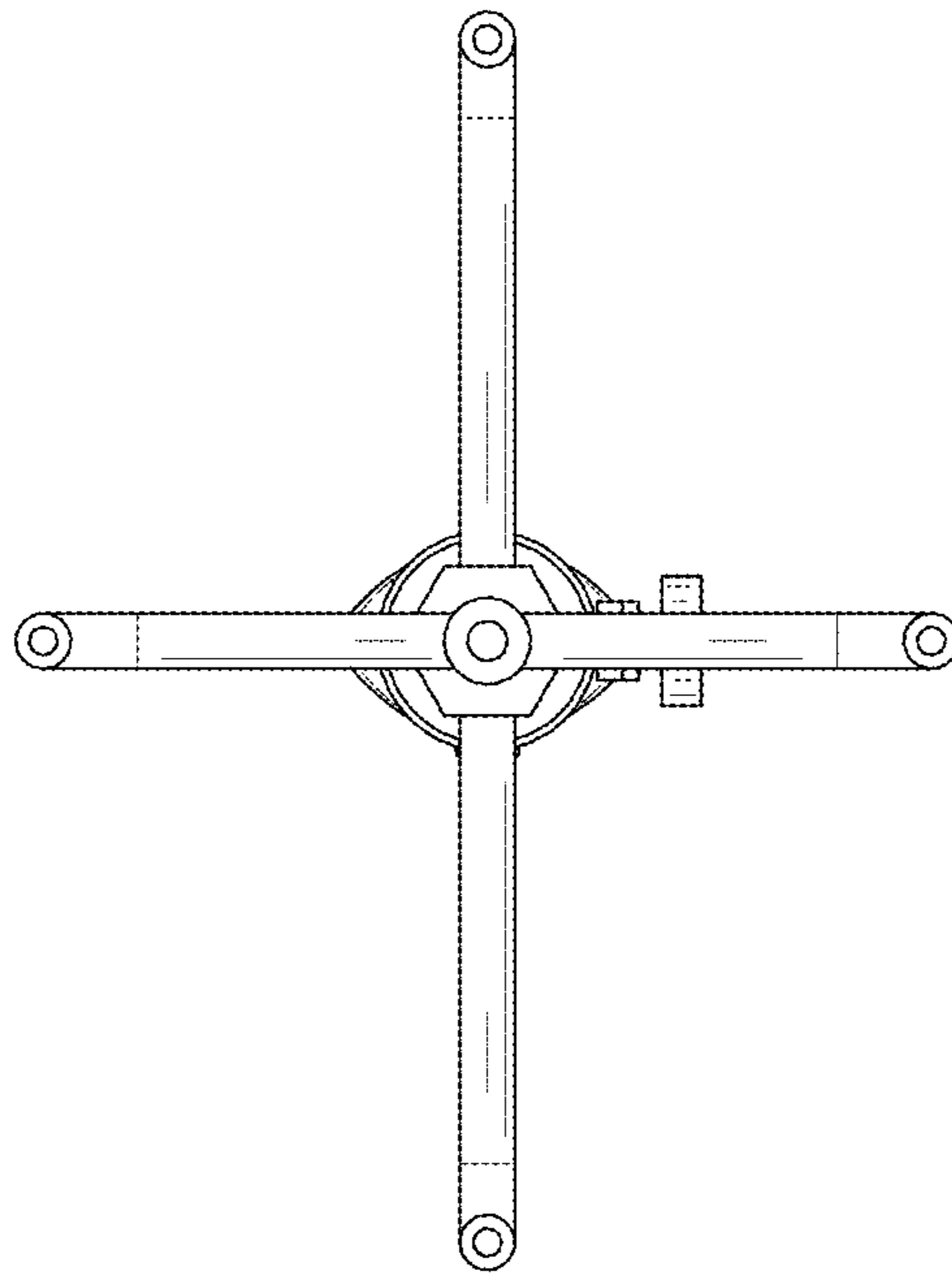


FIG. 7

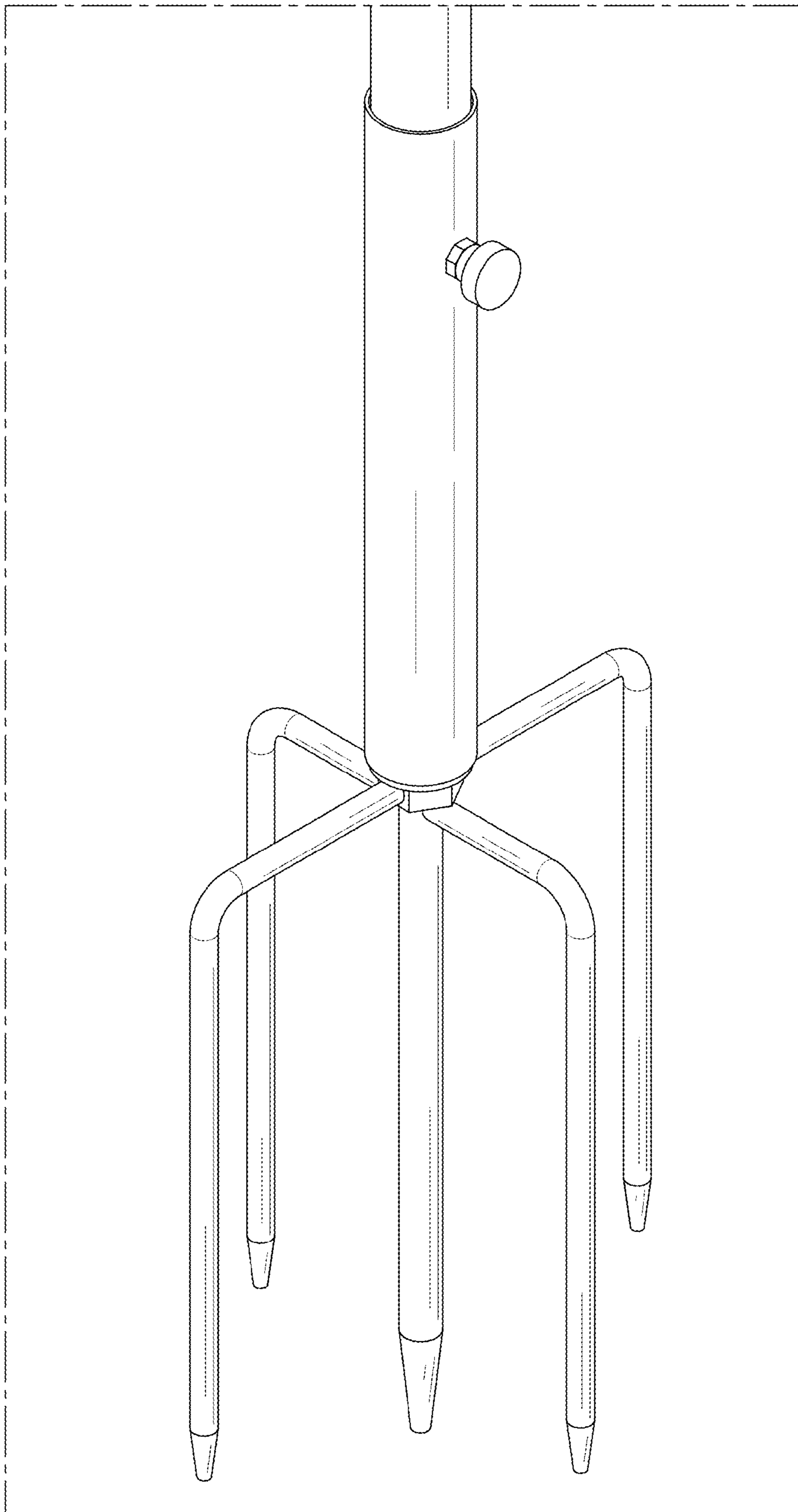


FIG. 8

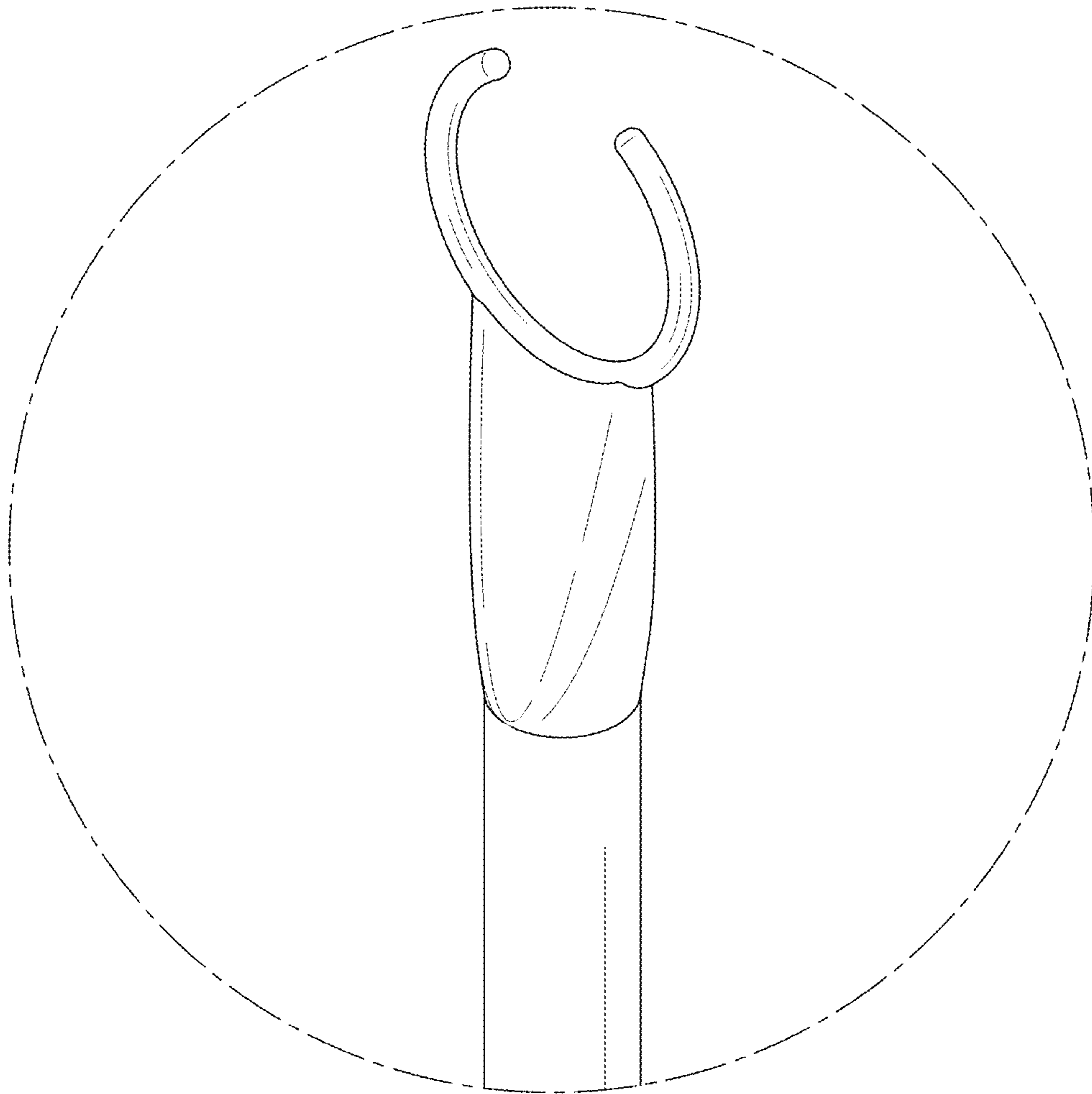


FIG. 9