

US00D942669S

(12) **United States Design Patent** (10) **Patent No.:** **US D942,669 S**
Li (45) **Date of Patent:** **** Feb. 1, 2022**

(54) **LIGHT**

(71) Applicant: **ECOLUX CORP. LIMITED**, Irvine, CA (US)

(72) Inventor: **Jing Li**, Irvine, CA (US)

(73) Assignee: **ECOLUX CORP. LIMITED**, Irvine, CA (US)

(**) Term: **15 Years**

(21) Appl. No.: **29/741,166**

(22) Filed: **Jul. 10, 2020**

(51) **LOC (13) Cl.** **26-05**

(52) **U.S. Cl.**
USPC **D26/89**

(58) **Field of Classification Search**
USPC ... D26/1, 24, 67, 72, 74, 80, 83, 85, 86, 89, D26/91, 118, 119, 120, 124, 128, 131, D26/135
CPC F21S 8/03; F21S 8/033; F21S 8/036; F21S 8/04; F21S 8/043; F21S 8/046; F21S 8/06; F21S 8/061; F21S 8/063; F21S 8/065; F21W 2121/004
See application file for complete search history.

(56) **References Cited**

U.S. PATENT DOCUMENTS

1,921,295	A *	8/1933	Hume	F21V 15/02 362/378
D137,834	S *	5/1944	Schwartz	D26/119
D300,372	S *	3/1989	O'Dohanue	D26/67
6,439,747	B1 *	8/2002	Liu	F21V 1/06 362/352
D653,795	S *	2/2012	Guercio	D26/89
D675,371	S *	1/2013	Nowak	D26/128
D698,990	S *	2/2014	Chen	D26/128
D709,638	S *	7/2014	Kitts	D26/87
D818,625	S *	5/2018	Hohaus	D26/72

OTHER PUBLICATIONS

Progress Lighting, Chambers Collection Pendant Light. First Available Jul. 7, 2019. Visited Nov. 17, 2021. [https://www.hubbell.com/progresslighting/en/Products/Lighting-Controls/Residential-Indoor-Lighting/Pendants/Pendants-Lights/Chambers-Collection-One-Light-Galvanized] (Year: 2019).*

Fenf, Lampara de Techo Moderna. First Available Jul. 15, 2020. Visited Nov. 17, 2021. [https://www.amazon.es/FENF-L%C3%A1mpara-L%C3%A1mparas-Dormitorio-Restaurante/dp/B08CZF5HVF] (Year: 2020).*

Shades of Light, Hanging Cage Bath Sconce. First Available Unknown. Visited Nov. 26, 2021. [https://www.shadesoflight.com/products/hanging-cage-bath-sconce?color=Black+Satin+Brass] (Year: 2021).*

Light Silo, Rustic Wire Cage Industrial Pendant Ceiling Light. First Available Unknown. Visited Nov. 19, 2021. [https://www.lightsilo.com/rustic-wire-cage-industrial-pendant-ceiling-light-p1363.html] (Year: 2021).*

* cited by examiner

Primary Examiner — Samantha Q Lawrence
Assistant Examiner — Melissa Adriane Santos
(74) *Attorney, Agent, or Firm* — ZANIP

(57) **CLAIM**

The ornamental design for a light, as shown and described.

DESCRIPTION

FIG. 1 is a front and top perspective view of a light, showing my new design;

FIG. 2 is a rear and bottom perspective view thereof;

FIG. 3 is a front elevational view thereof;

FIG. 4 is a rear elevational view thereof;

FIG. 5 is a left side elevational view thereof;

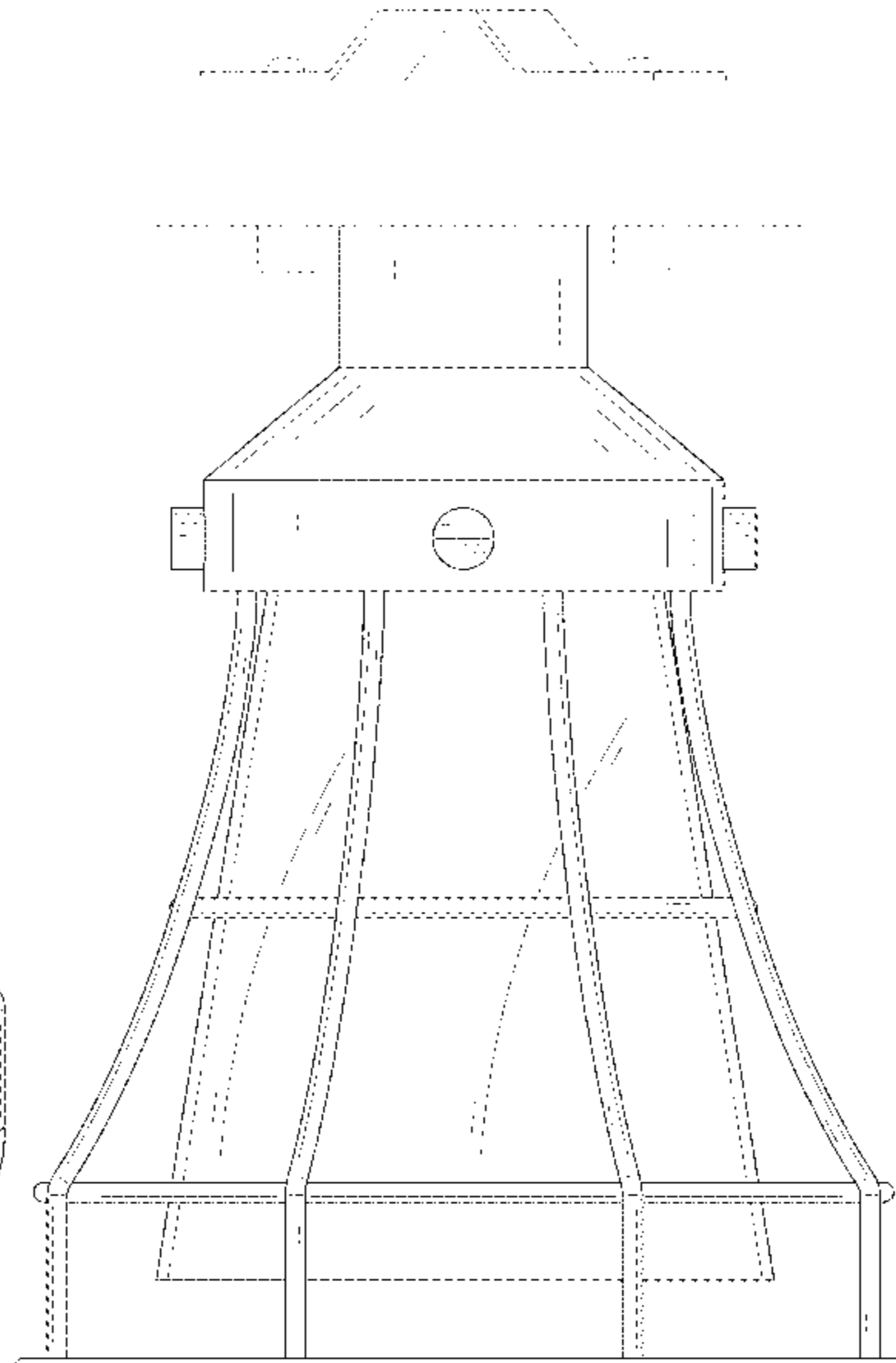
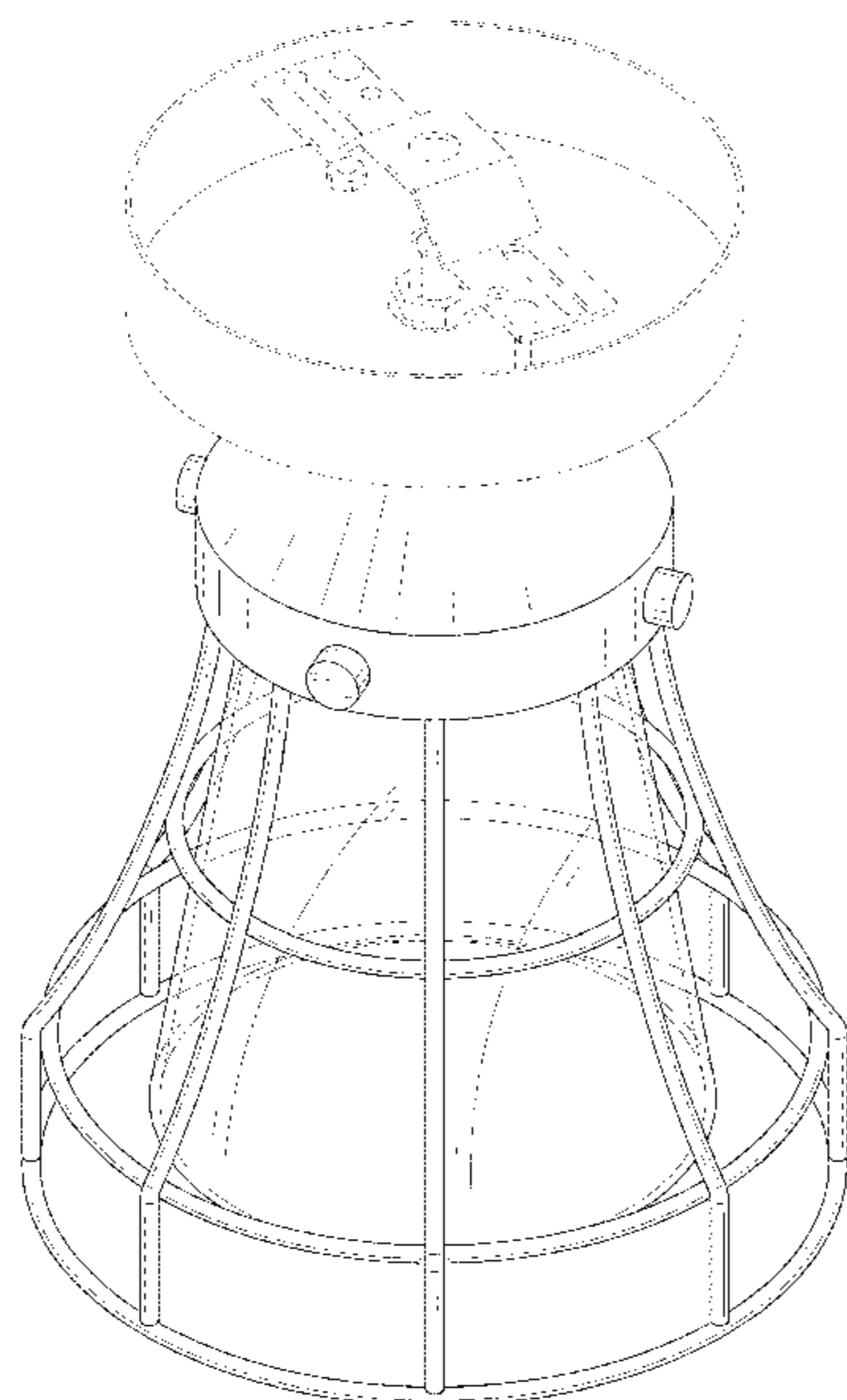
FIG. 6 is a right side elevational view thereof;

FIG. 7 is a top plan view thereof; and,

FIG. 8 is a bottom plan view thereof.

The broken lines in the figures illustrate portions of the article that form no part of the claimed design.

1 Claim, 8 Drawing Sheets



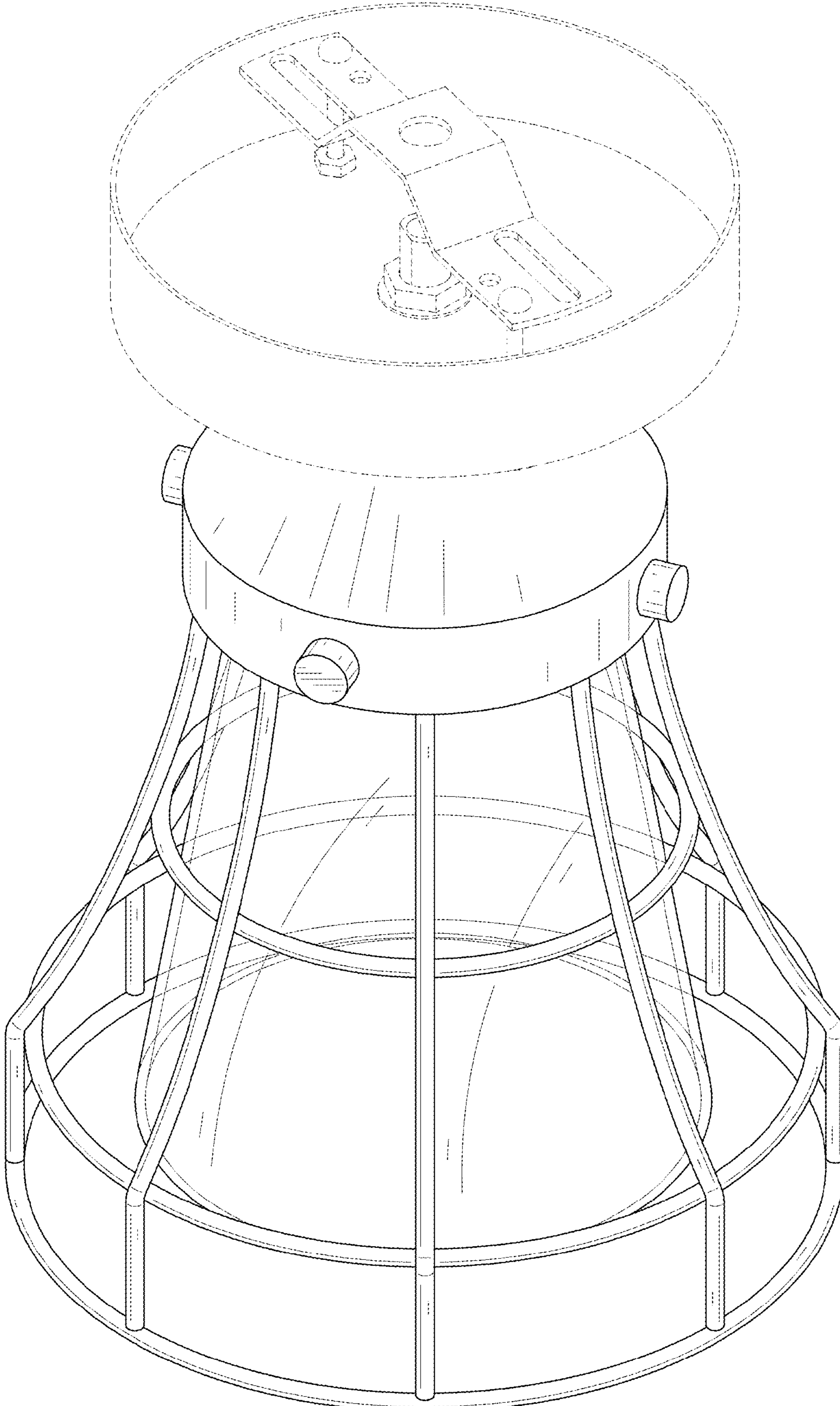


FIG. 1

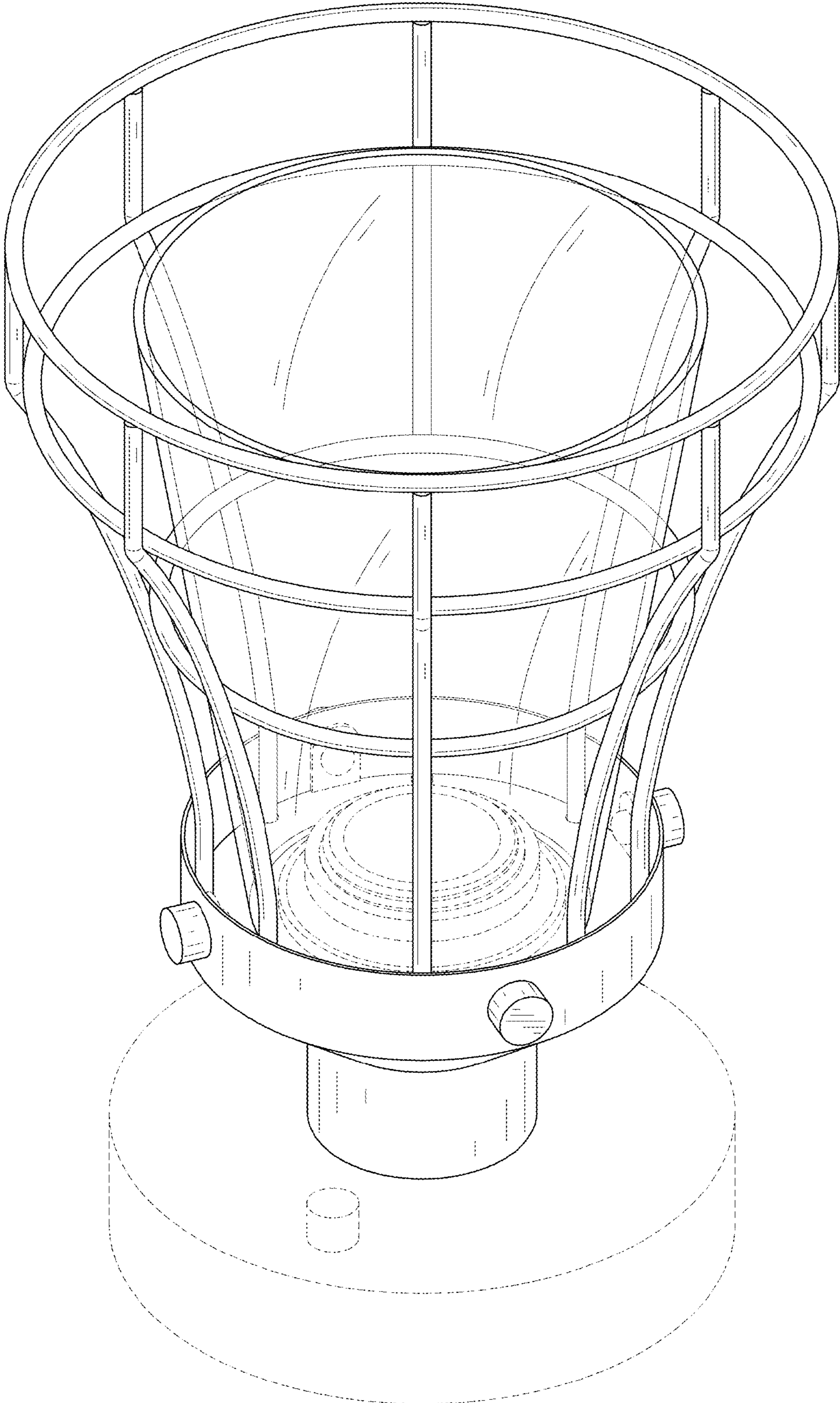


FIG. 2

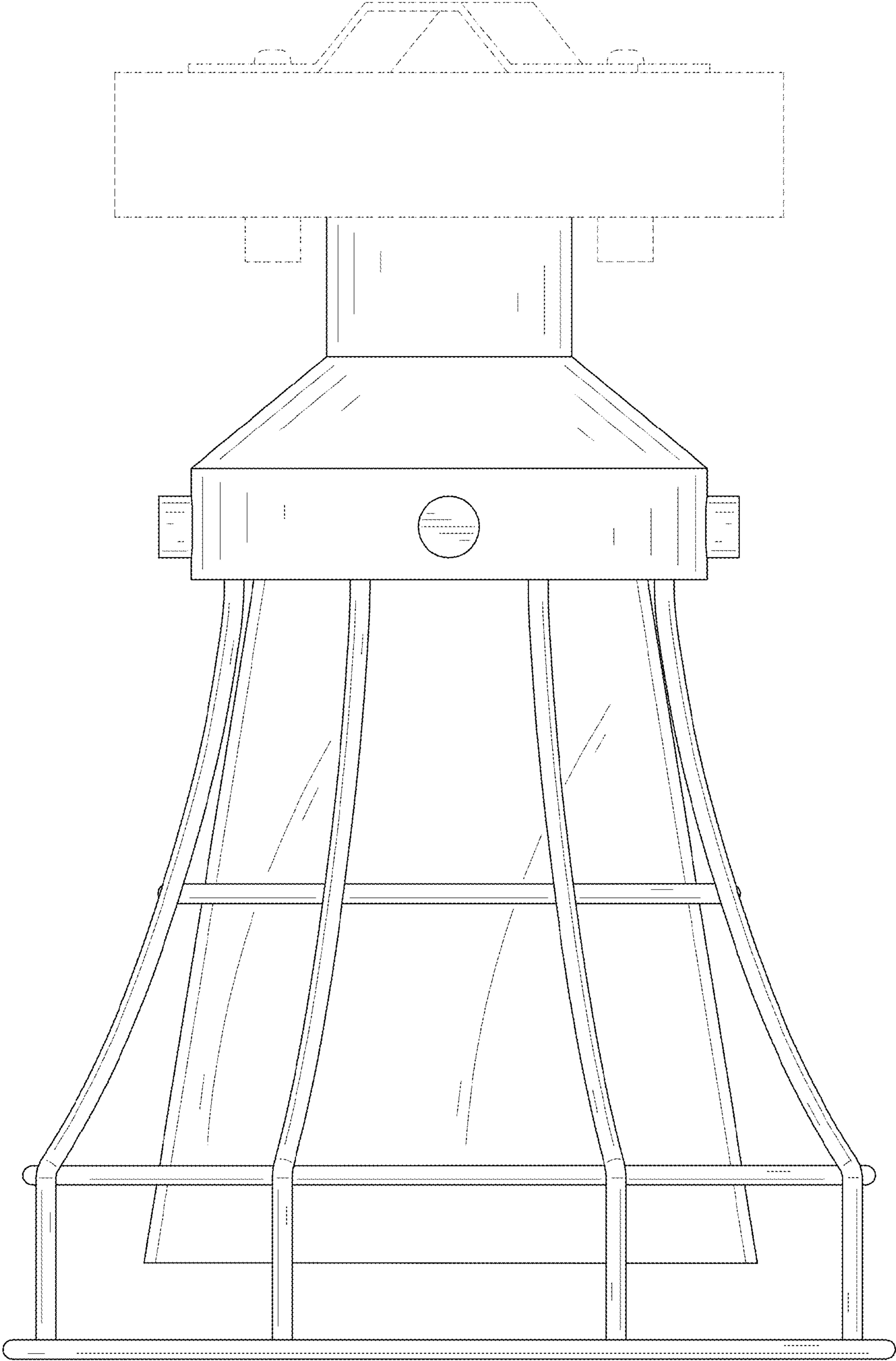


FIG. 3

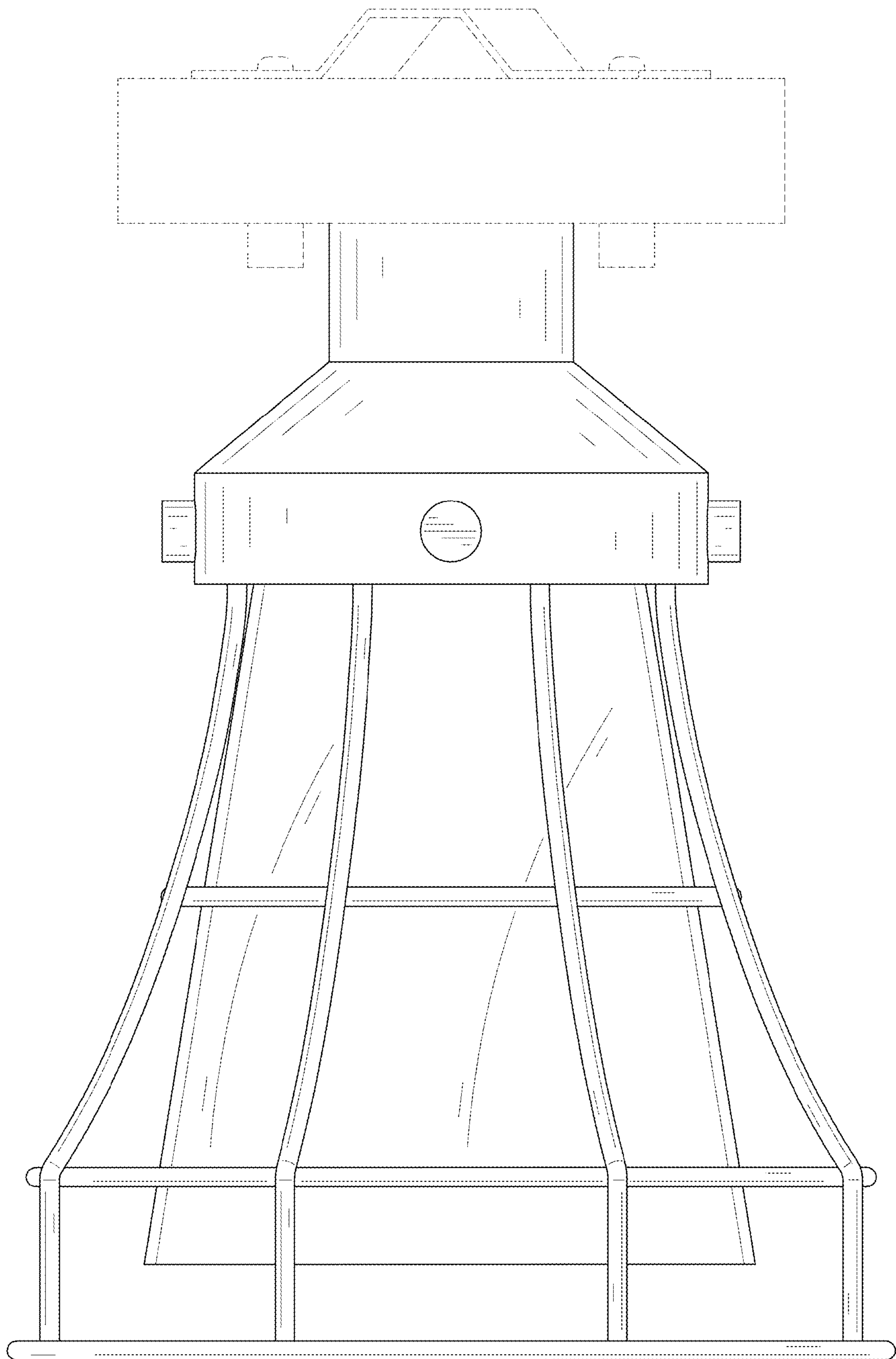


FIG. 4

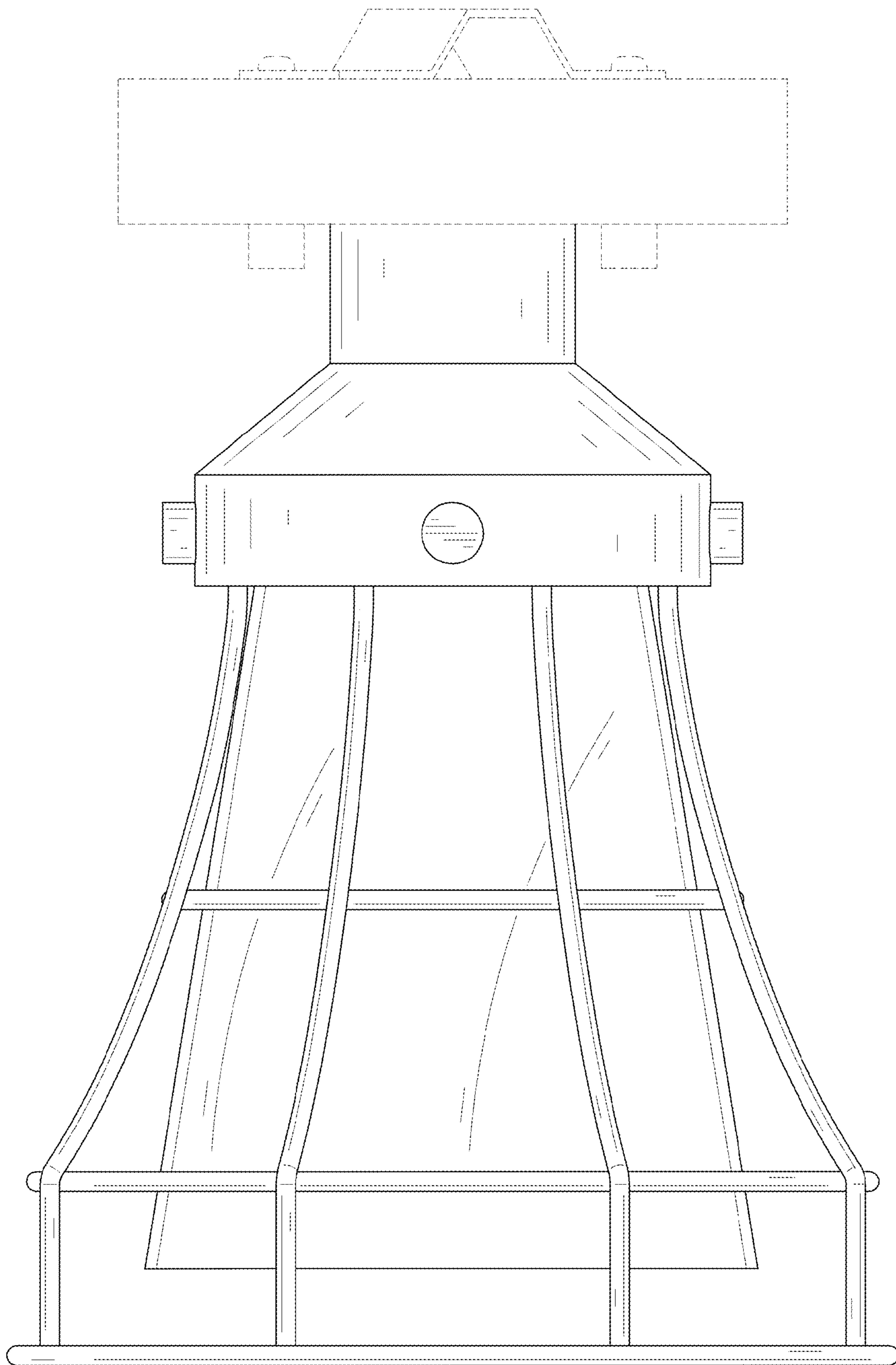


FIG. 5

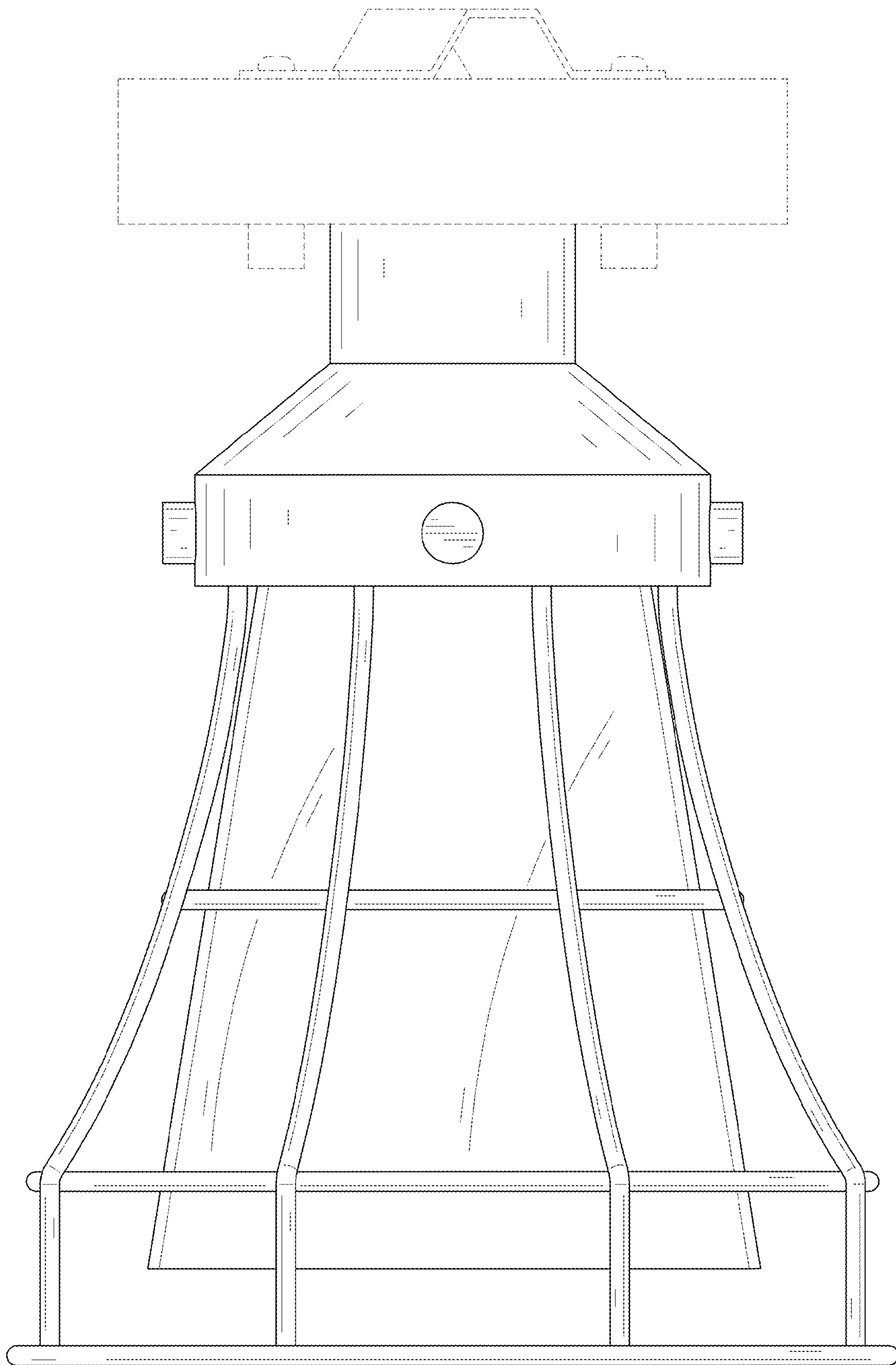


FIG. 6

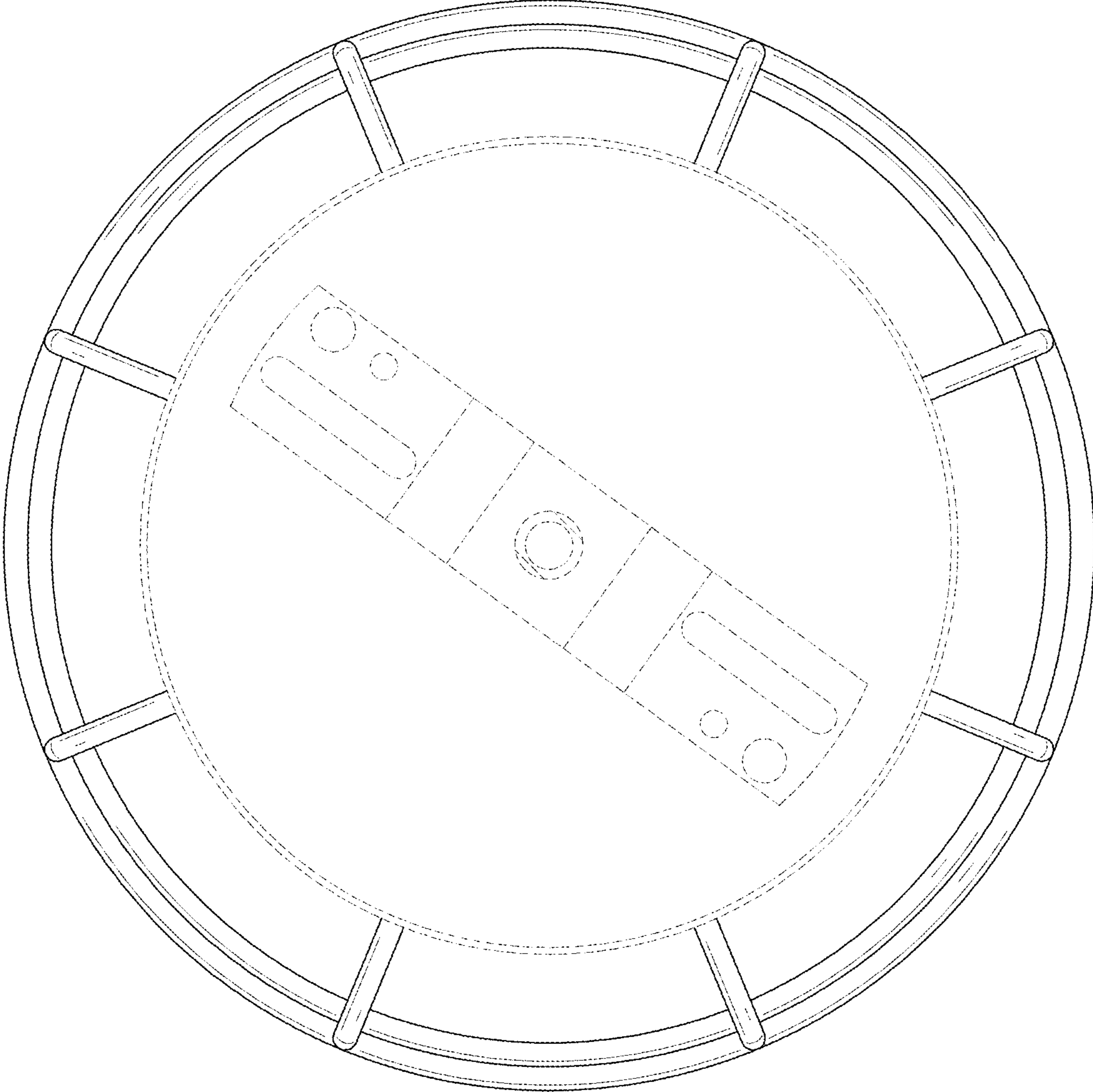


FIG. 7

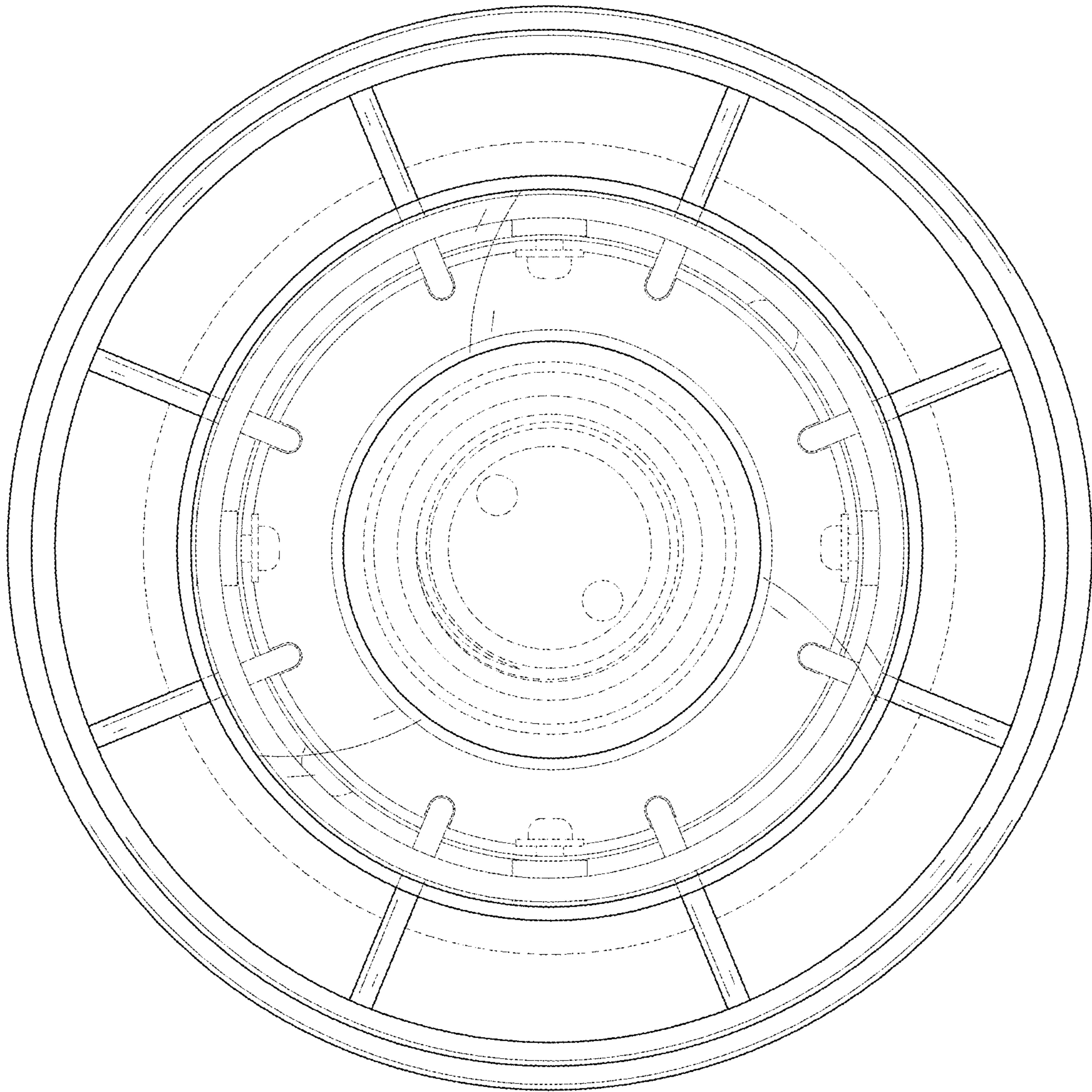


FIG. 8