



US00D942668S

(12) **United States Design Patent** (10) **Patent No.:** **US D942,668 S**  
**Ou Yang** (45) **Date of Patent:** **\*\* Feb. 1, 2022**

(54) **ULTRAVIOLET SANITIZING RECESSED DOWNLIGHT**

(56) **References Cited**

U.S. PATENT DOCUMENTS

(71) Applicant: **SHENZHEN UVLED OPTICAL TECHNOLOGY CO., LTD.**, Shenzhen (CN)

D488,583 S *	4/2004	Benghozi	.....	D26/118
D509,016 S *	8/2005	Benghozi	.....	D26/74
D509,617 S *	9/2005	Benghozi	.....	D26/74
D624,691 S *	9/2010	Zhang	.....	D26/138
D663,888 S *	7/2012	Davis	.....	D26/138
D824,074 S *	7/2018	Vidal	.....	D26/74
D827,902 S *	9/2018	McGrayne	.....	D26/74
D877,927 S *	3/2020	Nathan	.....	D24/217
D877,928 S *	3/2020	Nathan	.....	D24/217
D879,995 S *	3/2020	Ou Yang	.....	D24/217
D880,720 S *	4/2020	Ou Yang	.....	D24/217
D892,374 S *	8/2020	Hsu	.....	D26/51
D907,273 S *	1/2021	Wang	.....	D26/74

(72) Inventor: **Chen Yi Ou Yang**, Hunan Province (CN)

(73) Assignee: **SHENZHEN UVLED OPTICAL TECHNOLOGY CO., LTD.**, Shenzhen (CN)

(\*\*) Term: **15 Years**

\* cited by examiner

(21) Appl. No.: **29/758,581**

*Primary Examiner* — Angela J Lee

(22) Filed: **Nov. 17, 2020**

(74) *Attorney, Agent, or Firm* — Li & Cai Intellectual Property (USA) Office

(30) **Foreign Application Priority Data**

(57) **CLAIM**

Sep. 30, 2020 (CN) ..... 202030594826.1

The ornamental design for an ultraviolet sanitizing recessed downlight, as shown and described.

(51) **LOC (13) Cl.** ..... **26-05**

**DESCRIPTION**

(52) **U.S. Cl.**  
USPC ..... **D26/74; D24/210**

FIG. 1 is a front, right side and top perspective view of an ultraviolet sanitizing recessed downlight showing the claimed design;

(58) **Field of Classification Search**  
USPC ..... D26/74, 72, 75, 76, 77, 78, 85, 88, 89, D26/118, 138, 141; 362/364, 365, 373, 362/145, 146, 147, 148, 150, 153, 153.1, 362/294, 296.01, 296.07, 296.08; D24/210, 217

FIG. 2 is a front elevational view thereof;

FIG. 3 is a rear elevational view thereof;

FIG. 4 is a left side elevational view thereof;

FIG. 5 is a right side elevational view thereof;

FIG. 6 is a top plan view thereof;

FIG. 7 is a bottom plan view thereof; and,

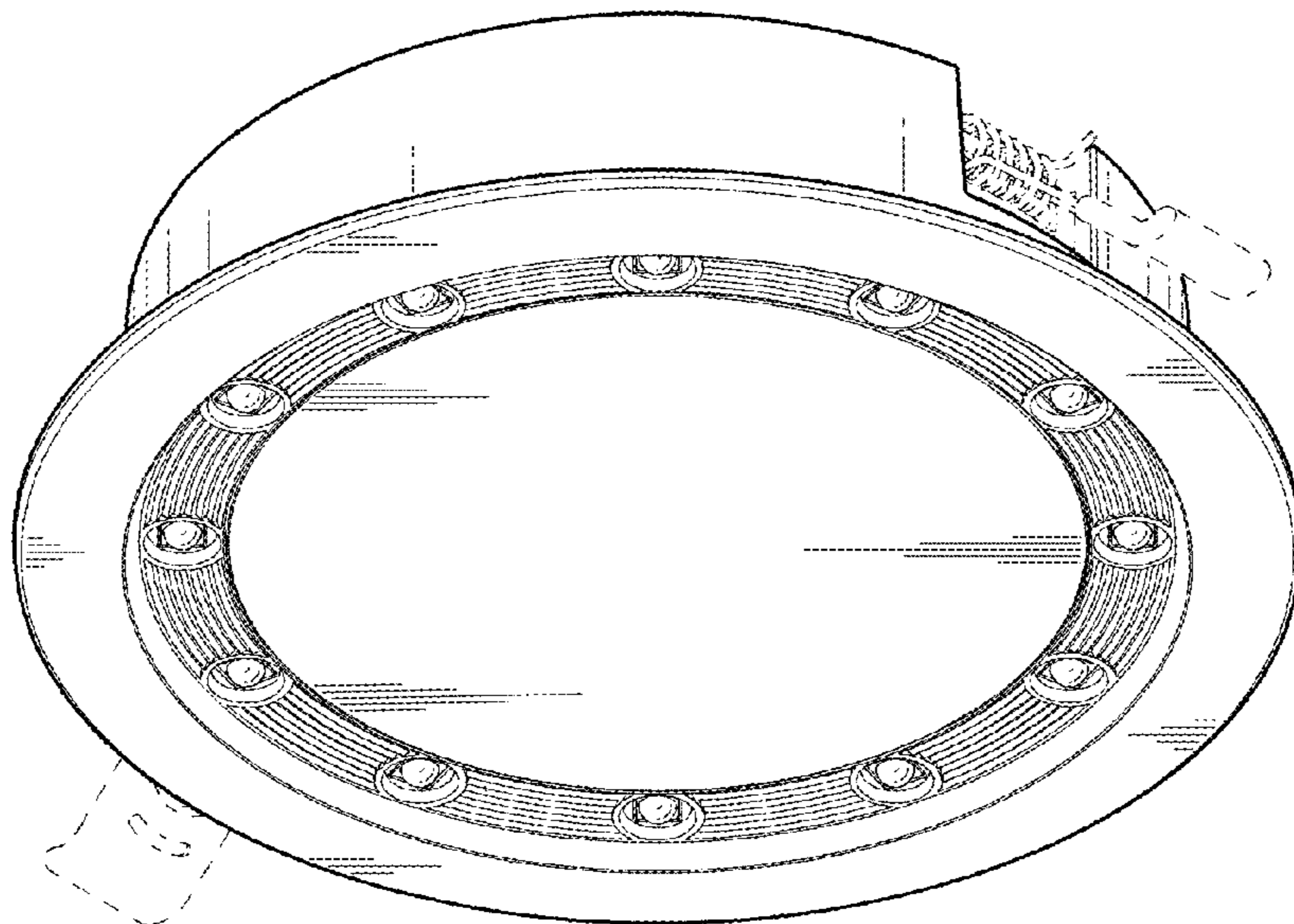
FIG. 8 is a rear, left side and bottom perspective view thereof.

The broken lines in the drawing depict portions of the ultraviolet sanitizing recessed downlight that form no part of the claimed design.

CPC ..... F21V 29/2262; F21V 7/06; F21V 21/044; F21V 21/047; F21V 29/2212; F21V 29/2225; F21V 29/2256; F21V 29/225; F21V 29/2268; F21Y 2111/002; F21S 8/02; F21S 8/026; A61L 2/10; A61L 2202/11

See application file for complete search history.

**1 Claim, 7 Drawing Sheets**



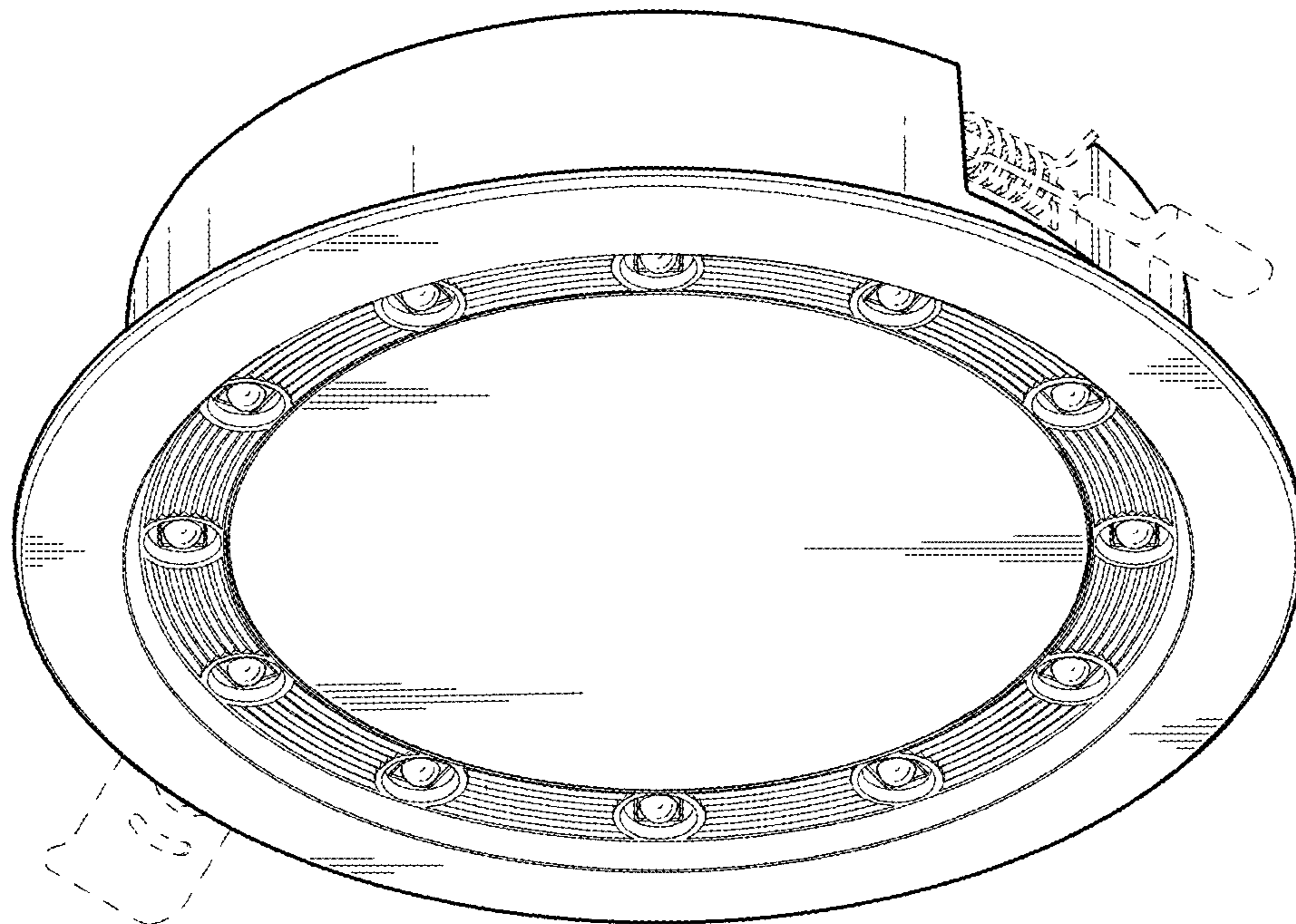


FIG. 1

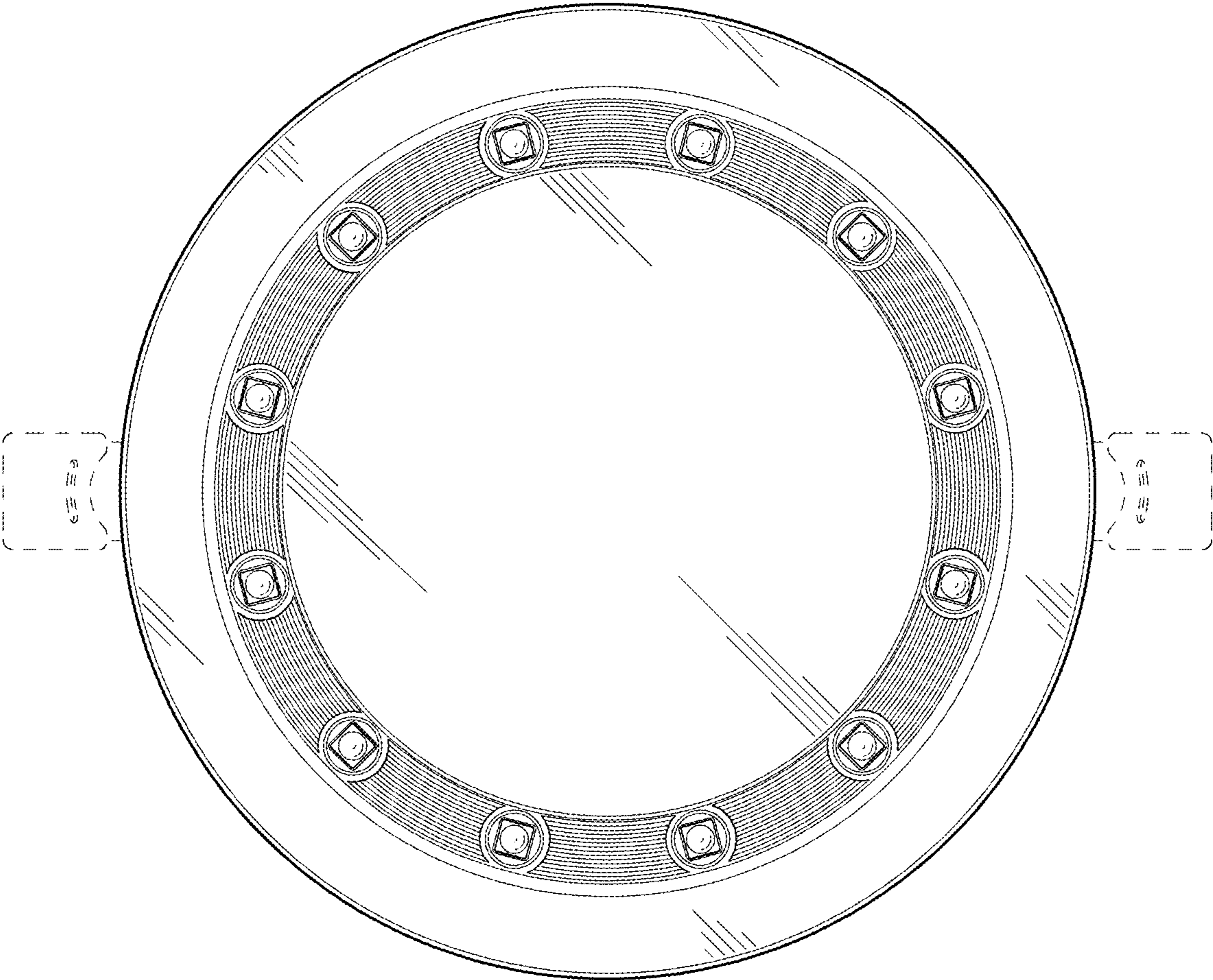


FIG. 2

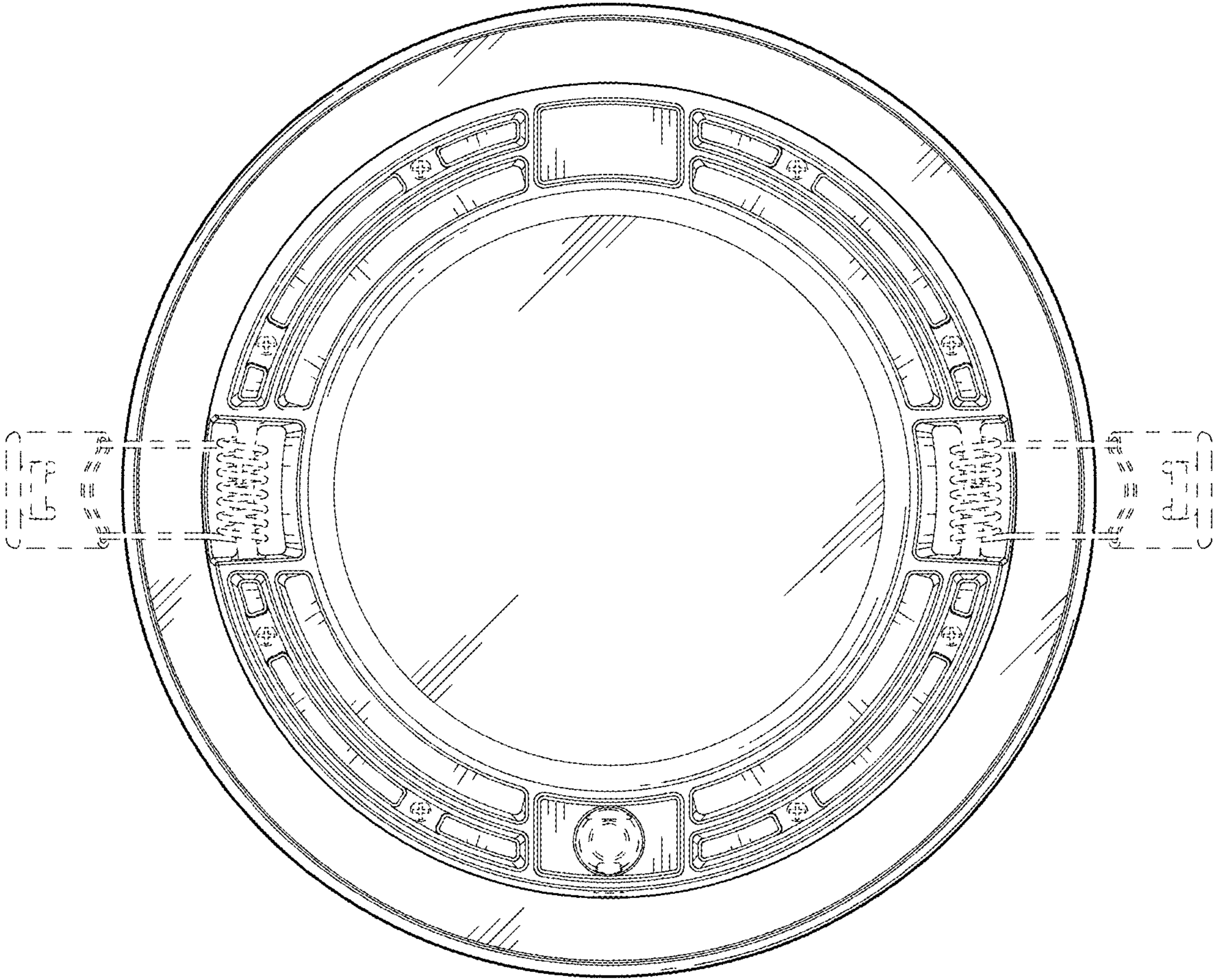


FIG. 3

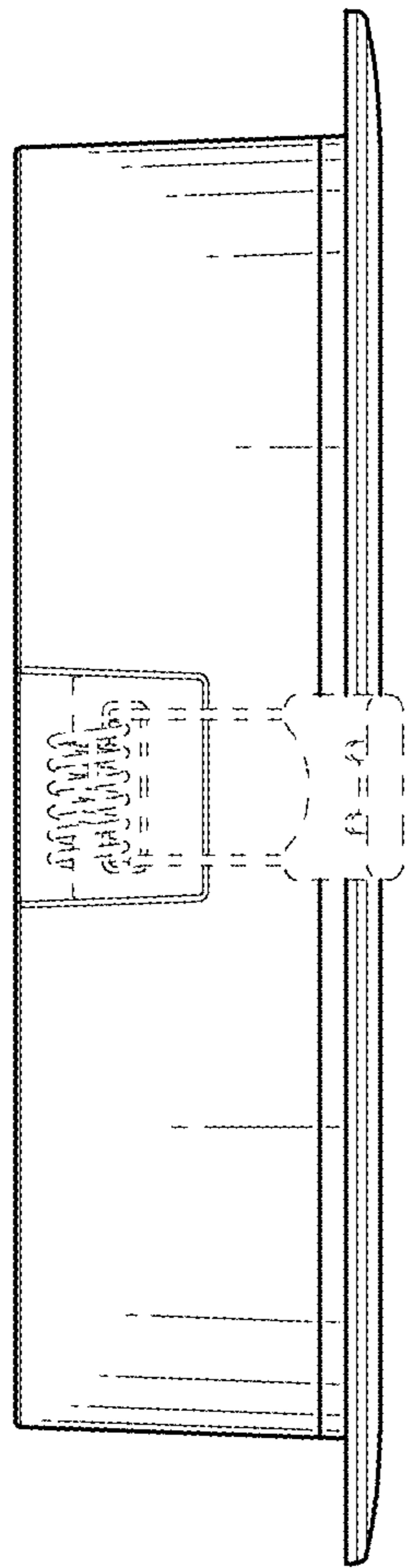


FIG. 4

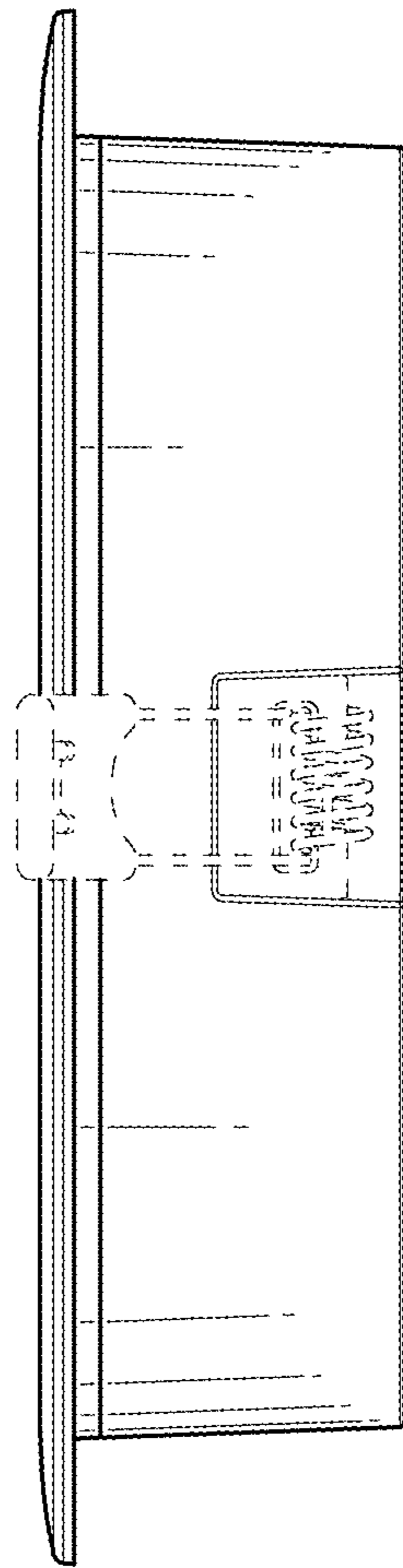


FIG. 5

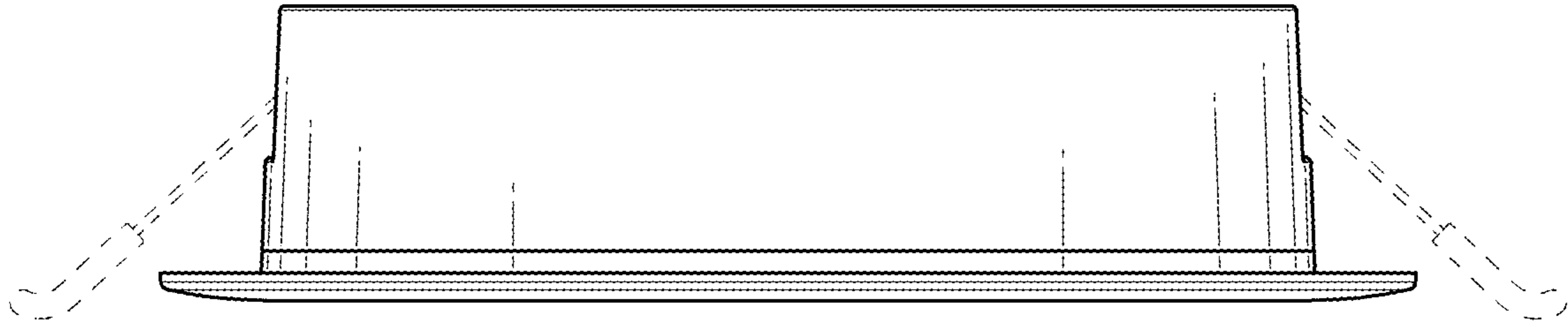


FIG. 6

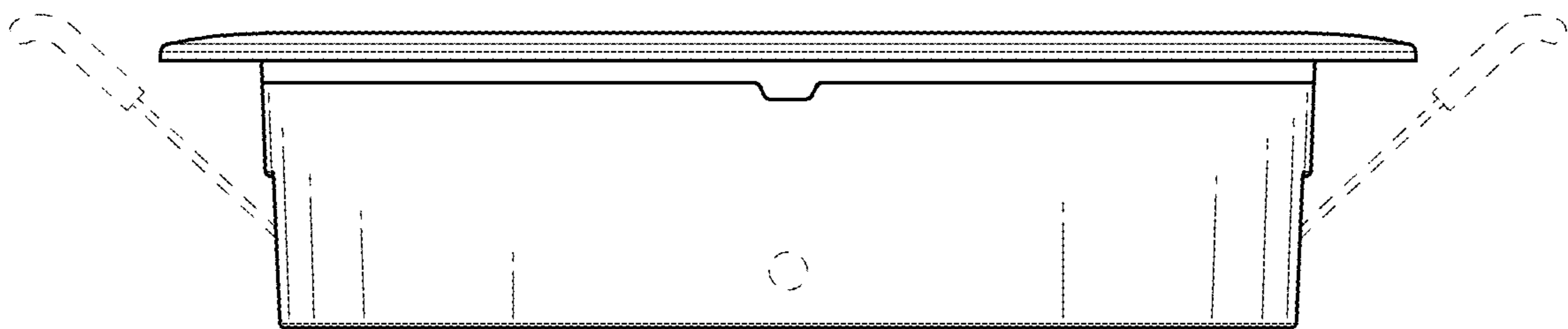


FIG. 7

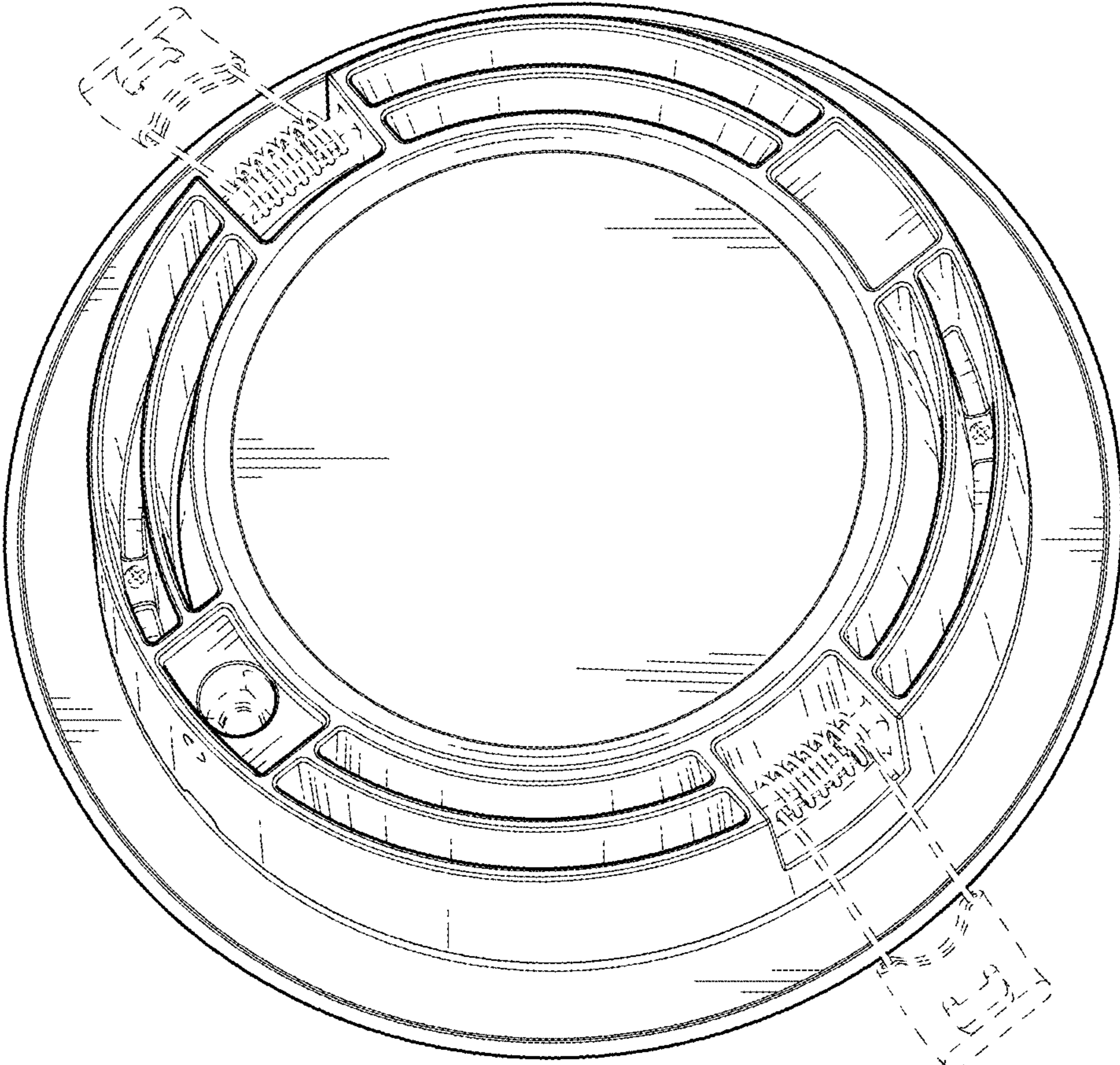


FIG. 8