

US00D942667S

(12) **United States Design Patent** (10) **Patent No.:** **US D942,667 S**
Ou Yang (45) **Date of Patent:** **** Feb. 1, 2022**

(54) **ULTRAVIOLET SANITIZING RECESSED DOWNLIGHT**

(56) **References Cited**

(71) Applicant: **SHENZHEN UVLED OPTICAL TECHNOLOGY CO., LTD.**, Shenzhen (CN)

(72) Inventor: **Chen Yi Ou Yang**, Ningyuan County (CN)

(73) Assignee: **SHENZHEN UVLED OPTICAL TECHNOLOGY CO., LTD.**, Shenzhen (CN)

(**) Term: **15 Years**

(21) Appl. No.: **29/758,578**

(22) Filed: **Nov. 17, 2020**

(30) **Foreign Application Priority Data**

Sep. 30, 2020 (CN) 202030593375.X

(51) **LOC (13) Cl.** **26-05**

(52) **U.S. Cl.**
USPC **D26/74; D24/210**

(58) **Field of Classification Search**
USPC D26/74, 72, 75, 76, 77, 78, 85, 88, 89, D26/118, 138, 141; 362/364, 365, 373, 362/145, 146, 147, 148, 150, 153, 153.1, 362/294, 296.01, 296.07, 296.08; D24/210, 217
CPC F21V 29/2262; F21V 7/06; F21V 21/044; F21V 21/047; F21V 29/2212; F21V 29/2225; F21V 29/2256; F21V 29/225; F21V 29/2268; F21Y 2111/002; F21S 8/02; F21S 8/026; A61L 2/10; A61L 2202/11

See application file for complete search history.

U.S. PATENT DOCUMENTS

D511,020 S *	10/2005	Egawa	D26/74
D532,142 S *	11/2006	Matsui	D26/80
D726,950 S *	4/2015	Serwacki	D26/74
D767,809 S *	9/2016	Gotz-Schafer	D26/74
D816,256 S *	4/2018	Benghozi	D26/74
D845,532 S *	4/2019	Zhu	D26/72
D848,048 S *	5/2019	Baumeister	D26/74
D877,927 S *	3/2020	Nathan	D24/217
D877,928 S *	3/2020	Nathan	D24/217
D879,995 S *	3/2020	Ou Yang	D24/217
D880,720 S *	4/2020	Ou Yang	D24/217
D901,407 S *	11/2020	Kouzuma	D13/184
2019/0234569 A1 *	8/2019	Zhan	F21S 8/026

* cited by examiner

Primary Examiner — Angela J Lee

(74) *Attorney, Agent, or Firm* — Li & Cai Intellectual Property (USA) Office

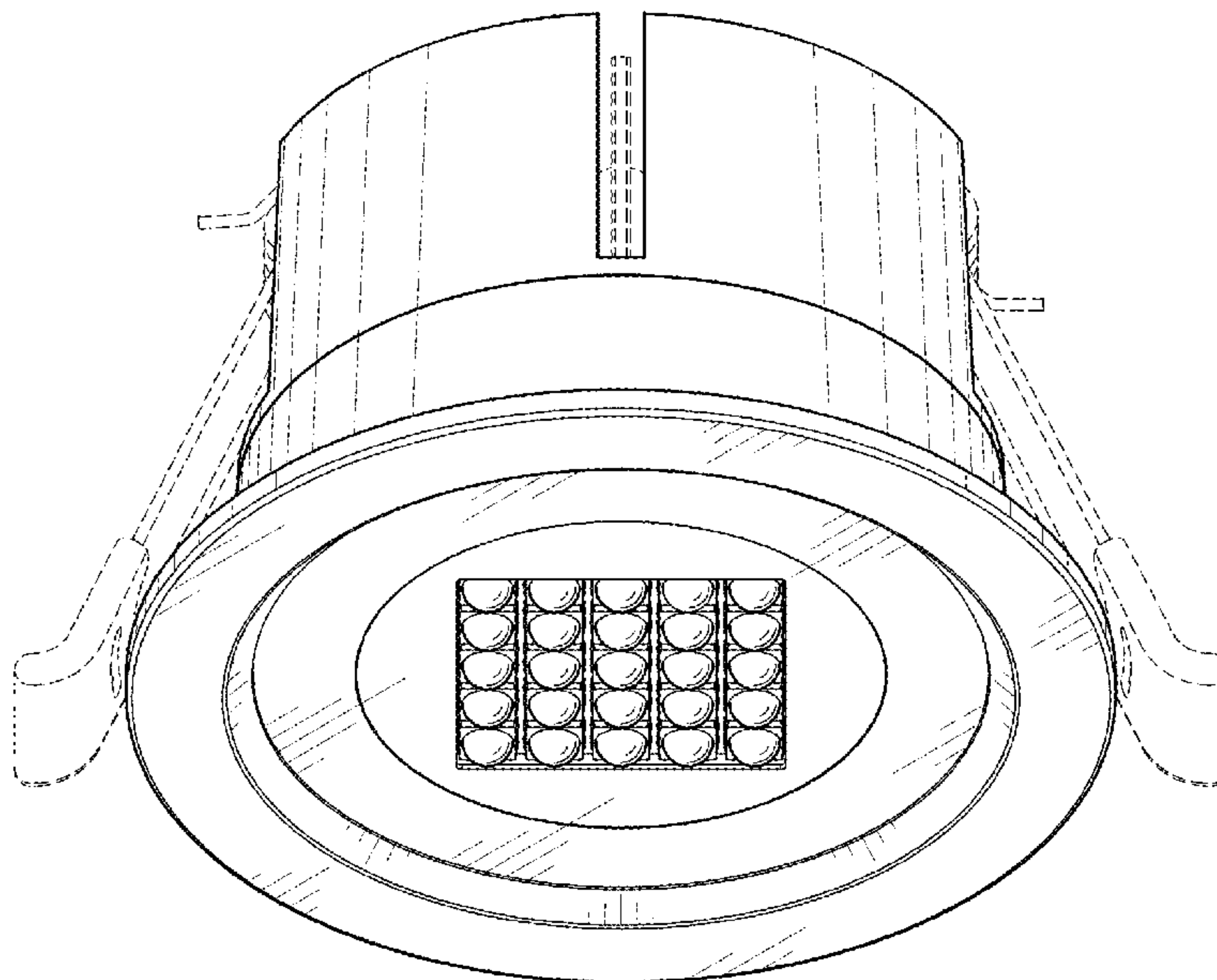
(57) **CLAIM**

The ornamental design for an ultraviolet sanitizing recessed downlight, as shown and described.

DESCRIPTION

FIG. 1 is a front and top perspective view of an ultraviolet sanitizing recessed downlight showing the claimed design; FIG. 2 is a front elevational view thereof; FIG. 3 is a rear elevational view thereof; FIG. 4 is a left side elevational view thereof; FIG. 5 is a right side elevational view thereof; FIG. 6 is a top plan view thereof; FIG. 7 is a bottom plan view thereof; and, FIG. 8 is a rear and bottom perspective view thereof. The broken lines in the drawing depict portions of the ultraviolet sanitizing recessed downlight that form no part of the claimed design.

1 Claim, 8 Drawing Sheets



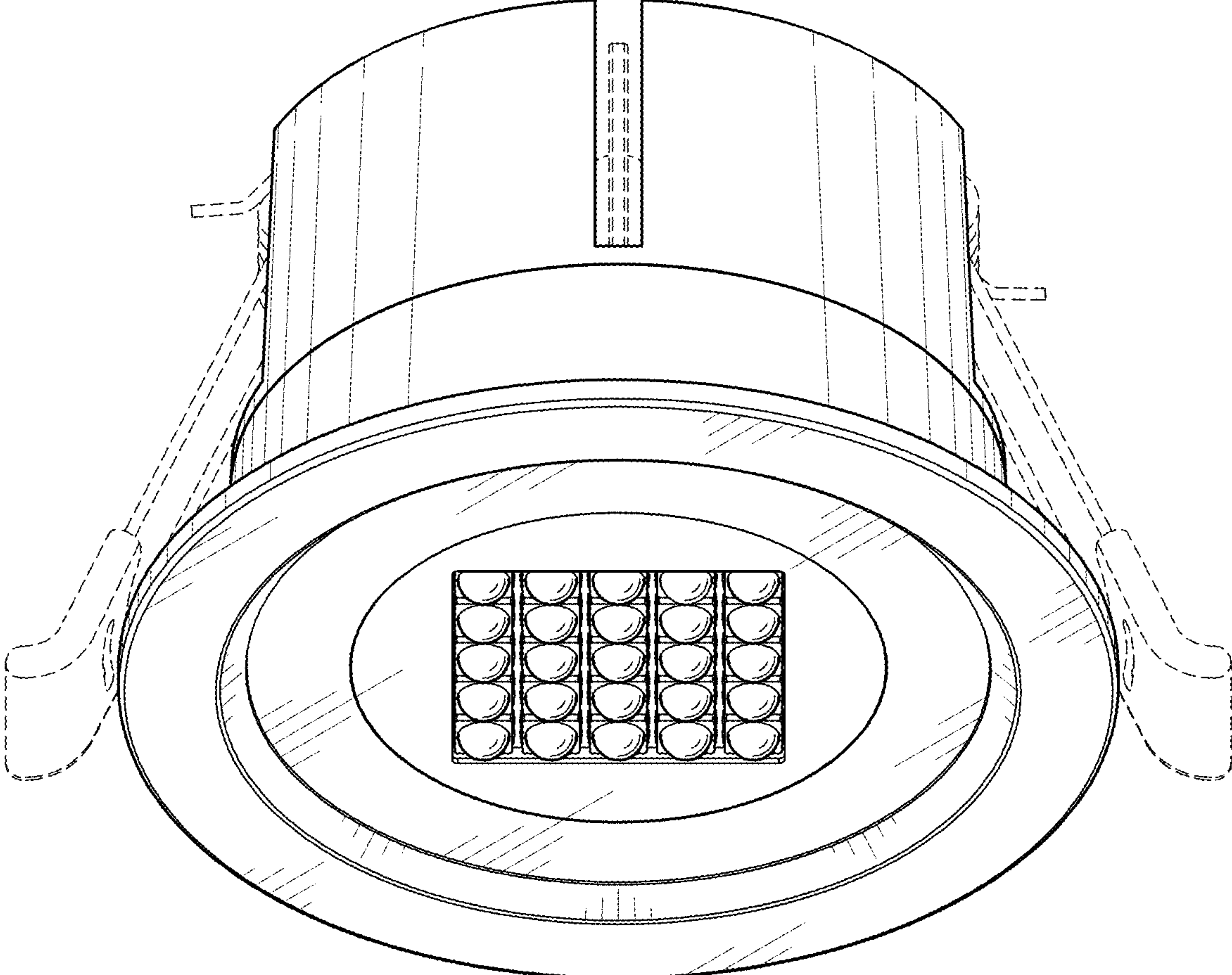


FIG. 1

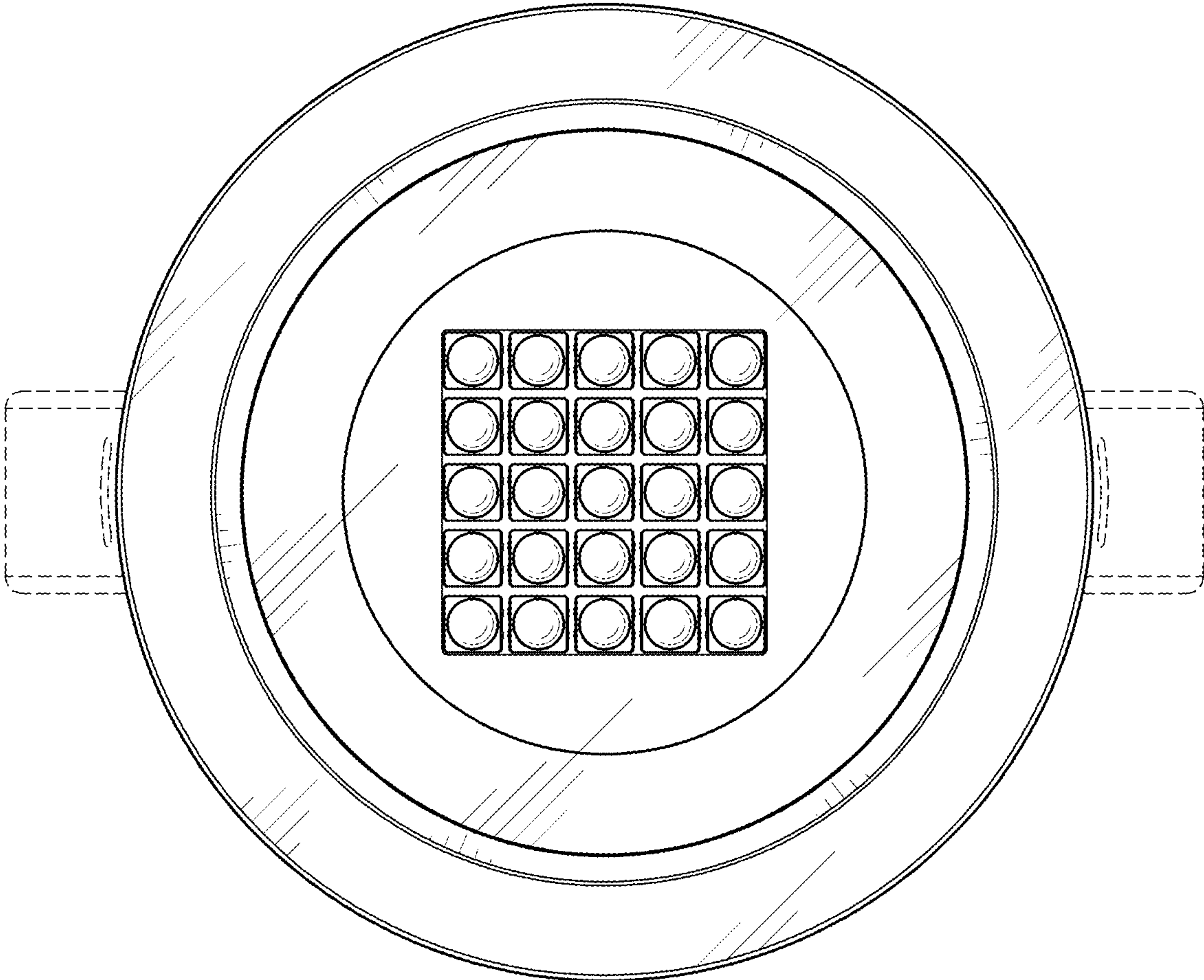


FIG. 2

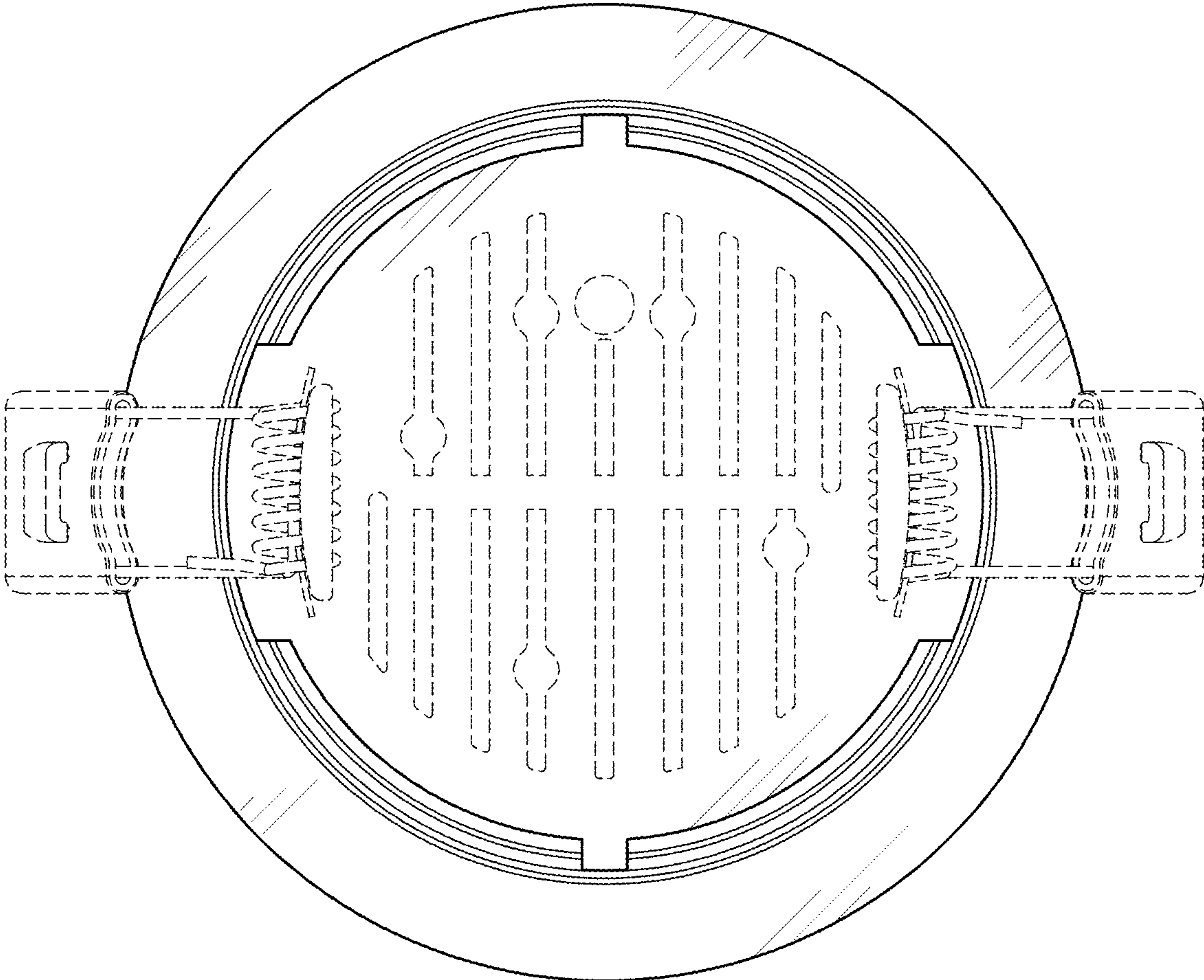


FIG. 3

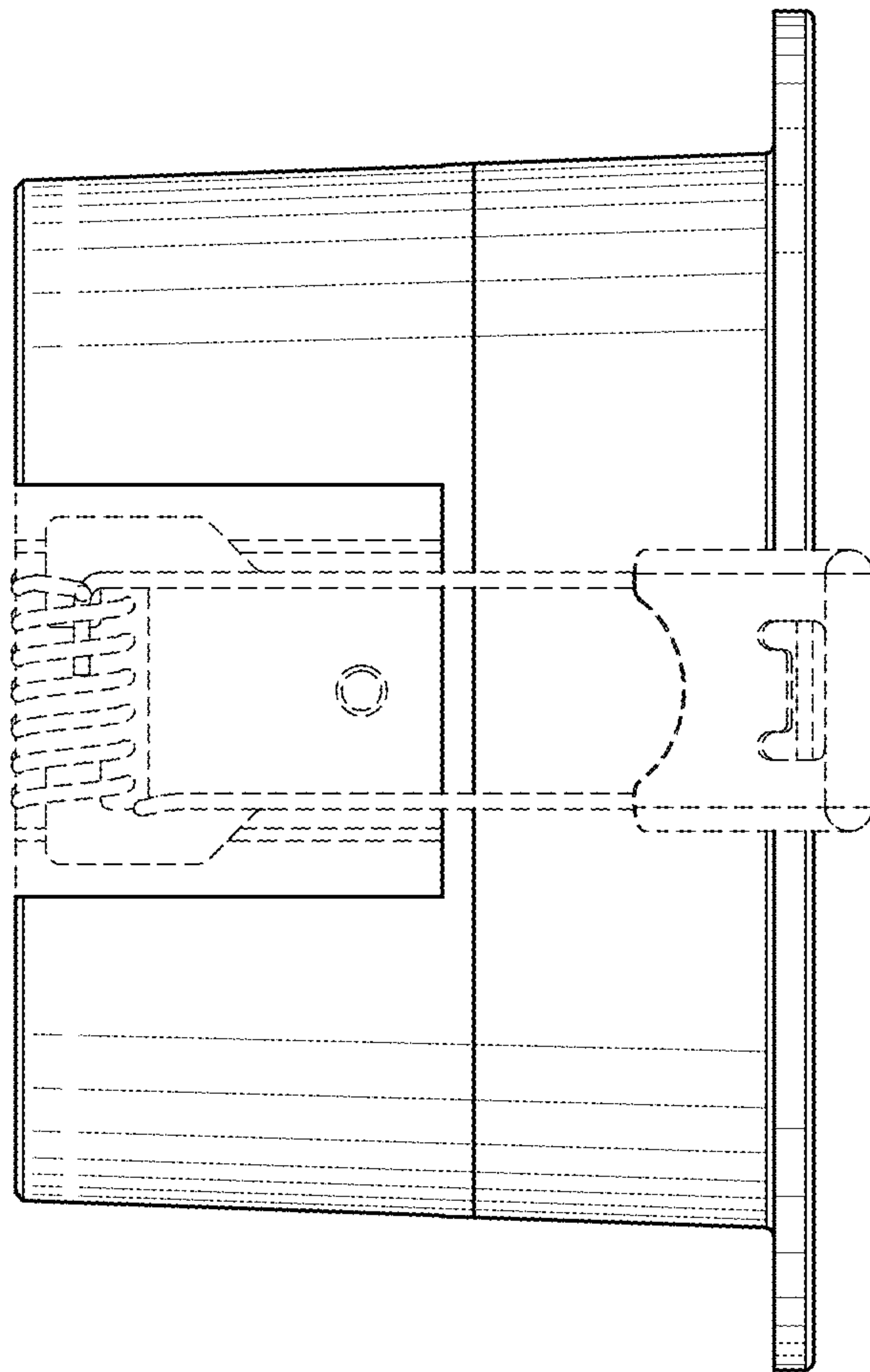


FIG. 4

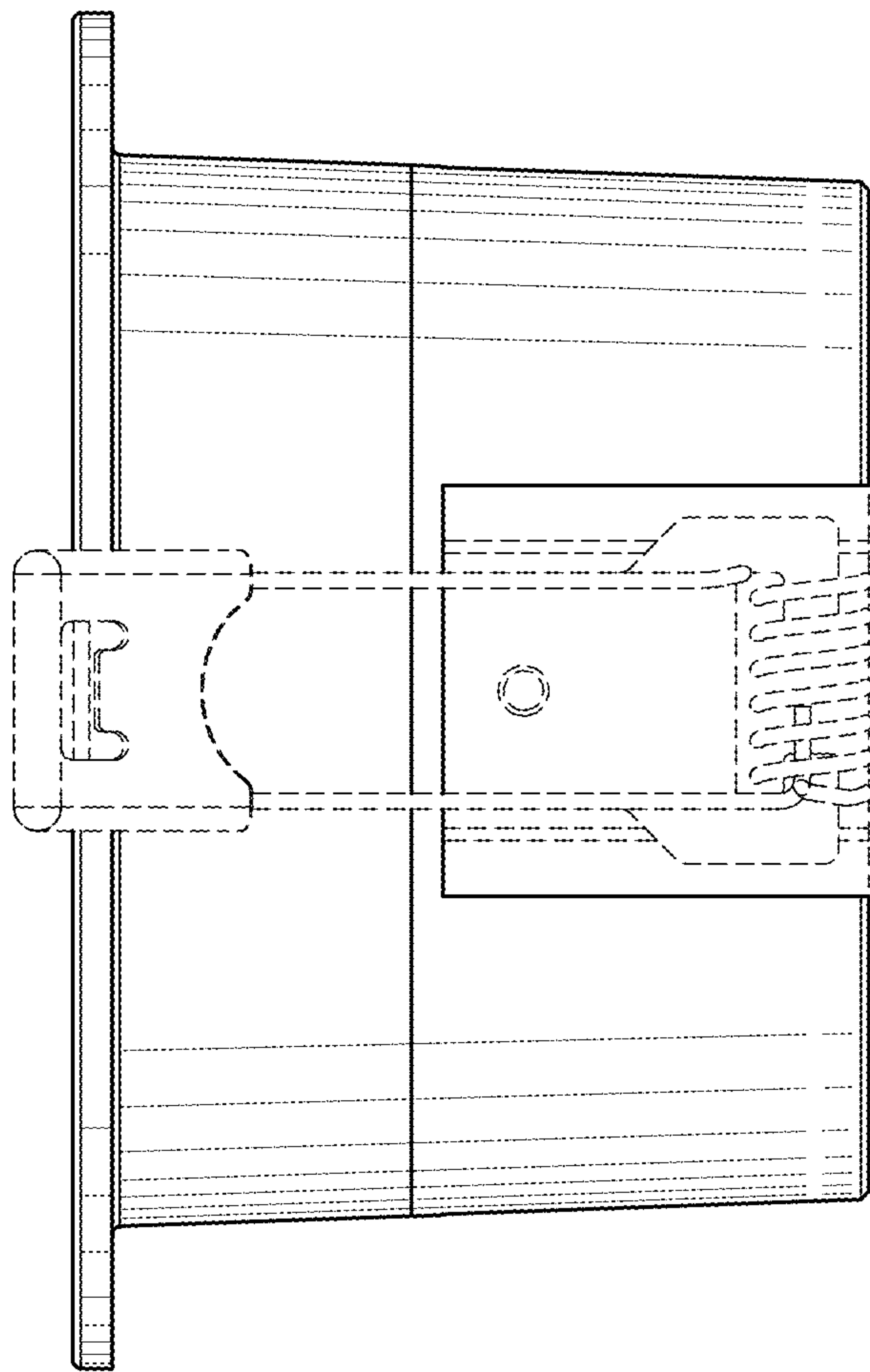


FIG. 5

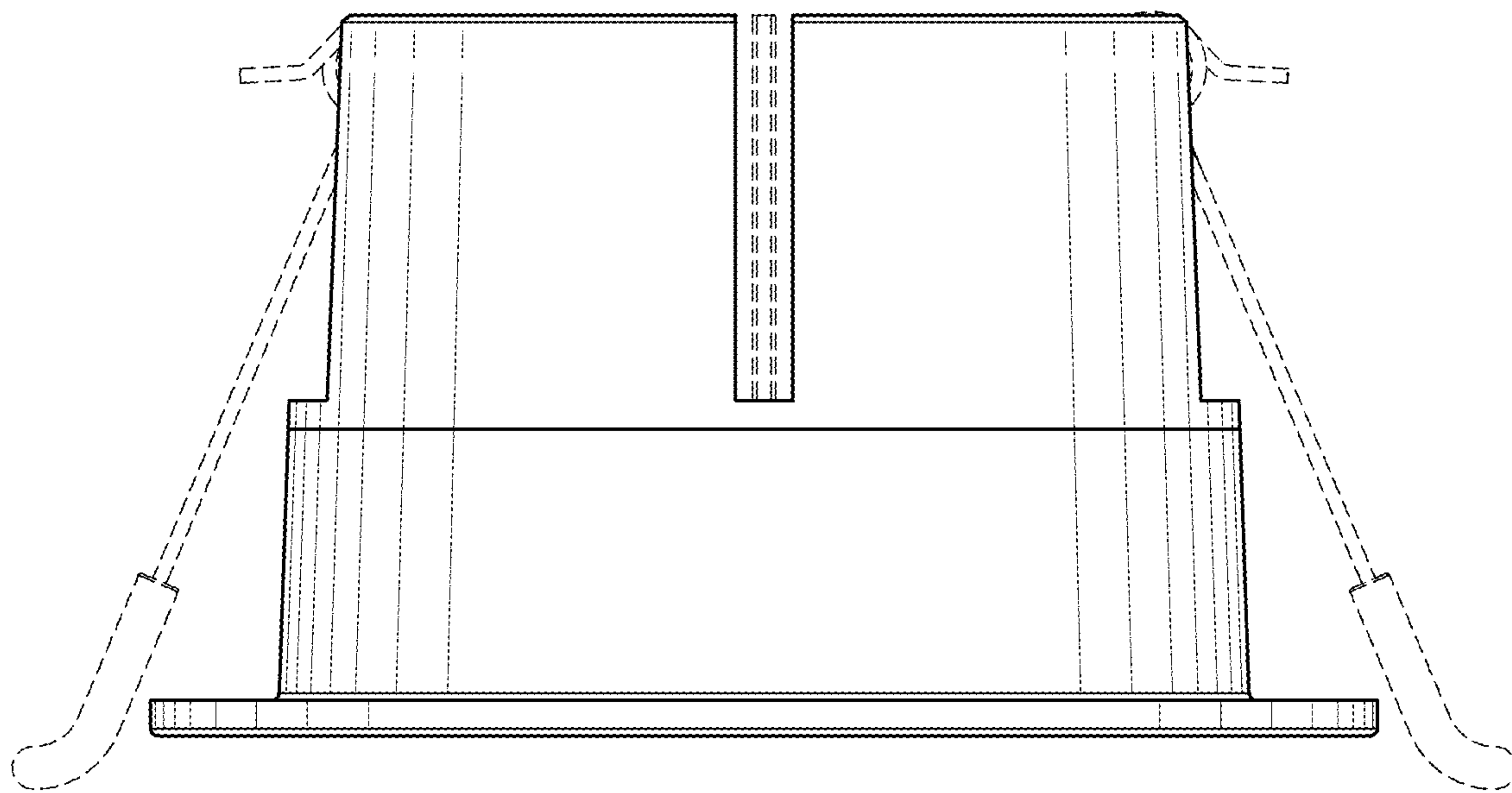


FIG. 6

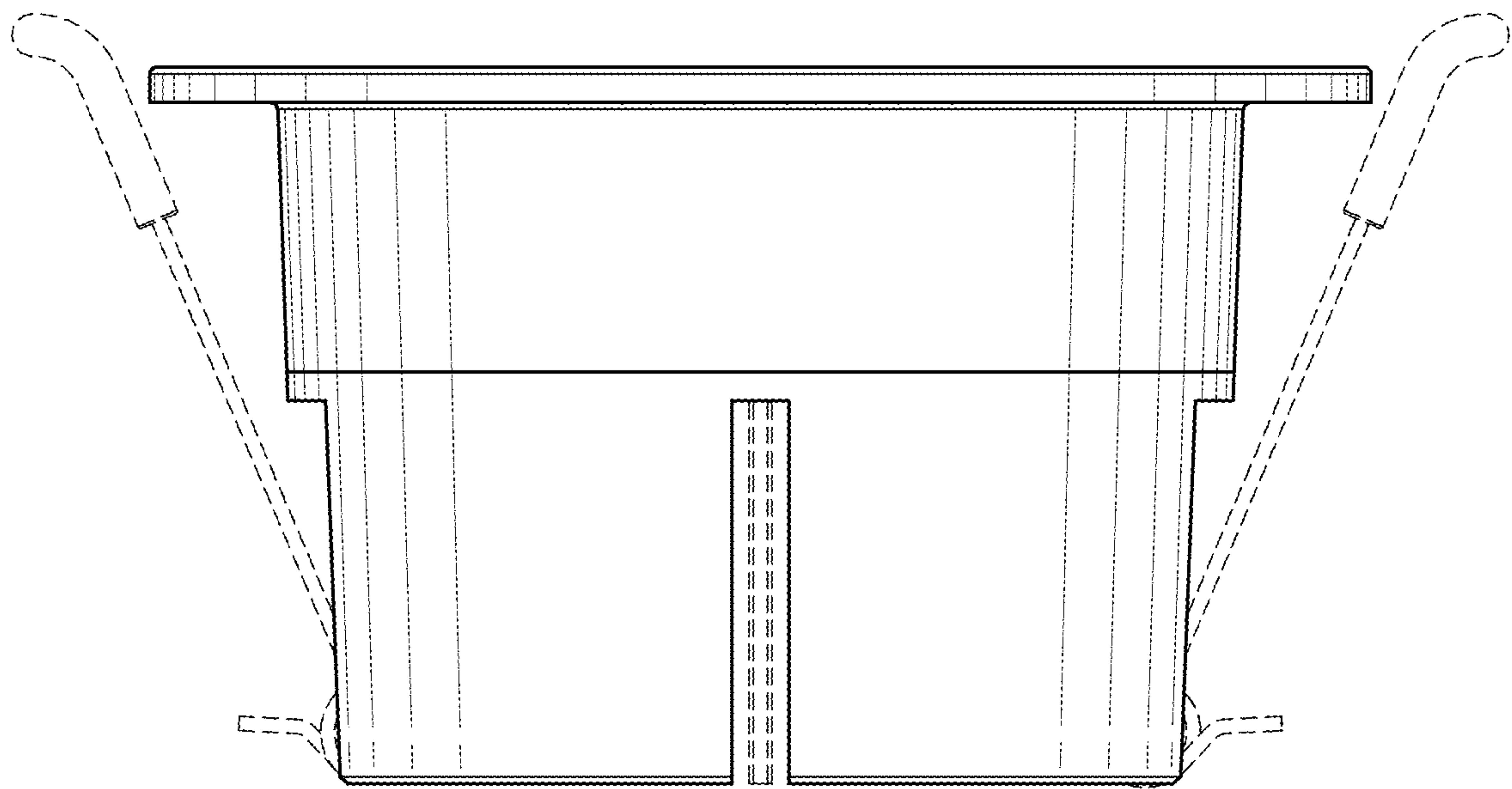


FIG. 7

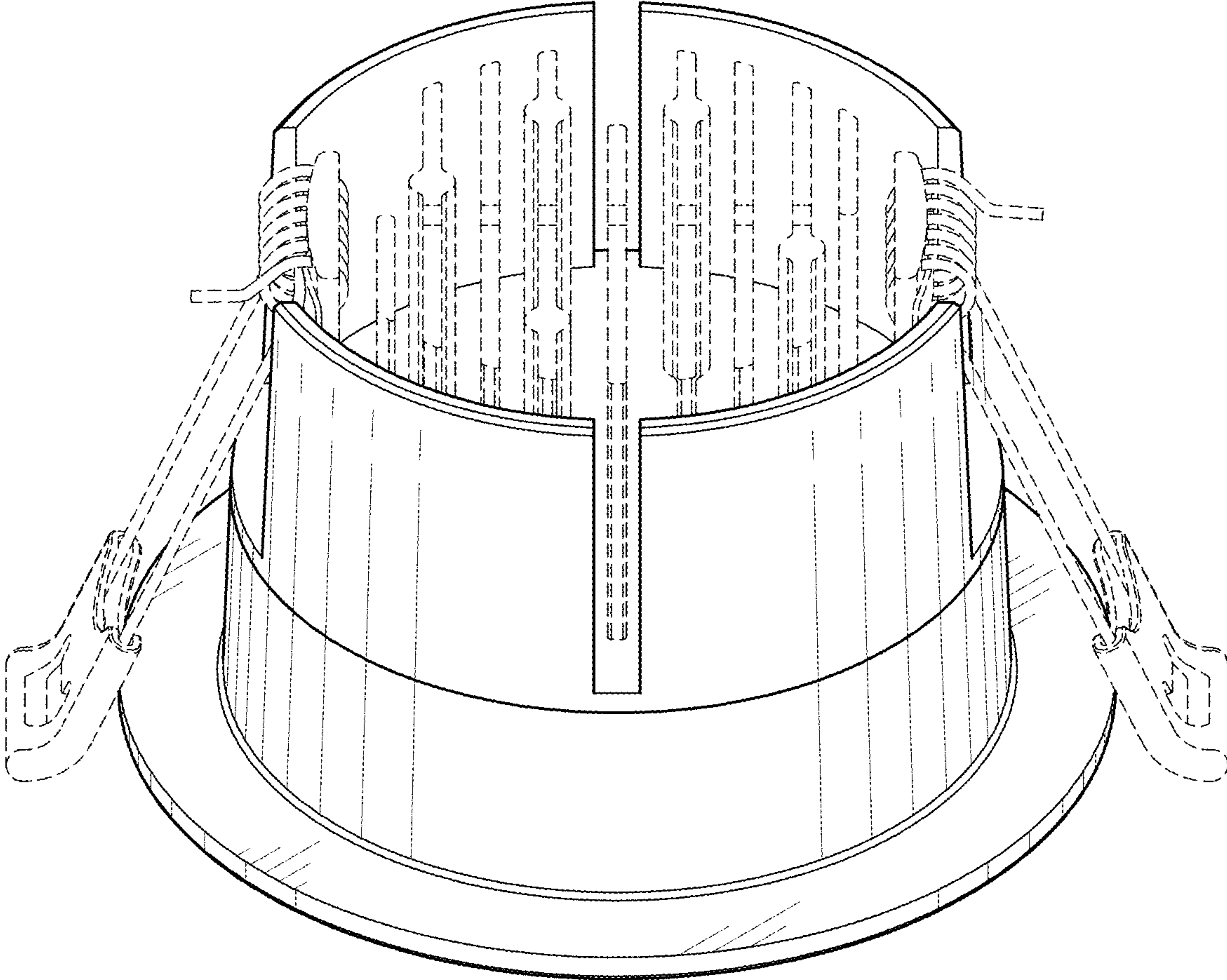


FIG. 8