



US00D942666S

(12) **United States Design Patent** (10) **Patent No.:** **US D942,666 S**
Ou Yang (45) **Date of Patent:** **** Feb. 1, 2022**

(54) **ULTRAVIOLET SANITIZING RECESSED DOWNLIGHT**
(71) Applicant: **SHENZHEN UVLED OPTICAL TECHNOLOGY CO., LTD.**, Shenzhen (CN)
(72) Inventor: **Chen Yi Ou Yang**, Hunan Province (CN)
(73) Assignee: **SHENZHEN UVLED OPTICAL TECHNOLOGY CO., LTD.**, Shenzhen (CN)

D509,617 S * 9/2005 Benghozi D26/74
D624,691 S * 9/2010 Zhang D26/138
D663,888 S * 7/2012 Davis D26/138
D824,074 S * 7/2018 Vidal D26/74
D827,902 S * 9/2018 McGrayne D26/74
D877,927 S * 3/2020 Nathan D24/217
D877,928 S * 3/2020 Nathan D24/217
D879,995 S * 3/2020 Ou Yang D24/217
D880,720 S * 4/2020 Ou Yang D24/217
D892,374 S * 8/2020 Hsu D26/51
D907,273 S * 1/2021 Wang D26/74

* cited by examiner

Primary Examiner — Angela J Lee
(74) *Attorney, Agent, or Firm* — Li & Cai Intellectual Property (USA) Office

(**) Term: **15 Years**

(21) Appl. No.: **29/758,422**

(22) Filed: **Nov. 16, 2020**

(51) **LOC (13) Cl.** **26-05**

(52) **U.S. Cl.**
USPC **D26/74; D24/210**

(58) **Field of Classification Search**
USPC D26/74, 72, 75, 76, 77, 78, 85, 88, 89, D26/118, 138, 141; 362/364, 365, 373, 362/145, 146, 147, 148, 150, 153, 153.1, 362/294, 296.01, 296.07, 296.08; D24/210, 217
CPC F21V 29/2262; F21V 7/06; F21V 21/044; F21V 21/047; F21V 29/2212; F21V 29/2225; F21V 29/2256; F21V 29/225; F21V 29/2268; F21Y 2111/002; F21S 8/02; F21S 8/026; A61L 2/10; A61L 2202/11

See application file for complete search history.

(56) **References Cited**

U.S. PATENT DOCUMENTS

D488,583 S * 4/2004 Benghozi D26/118
D509,016 S * 8/2005 Benghozi D26/74

(57) **CLAIM**

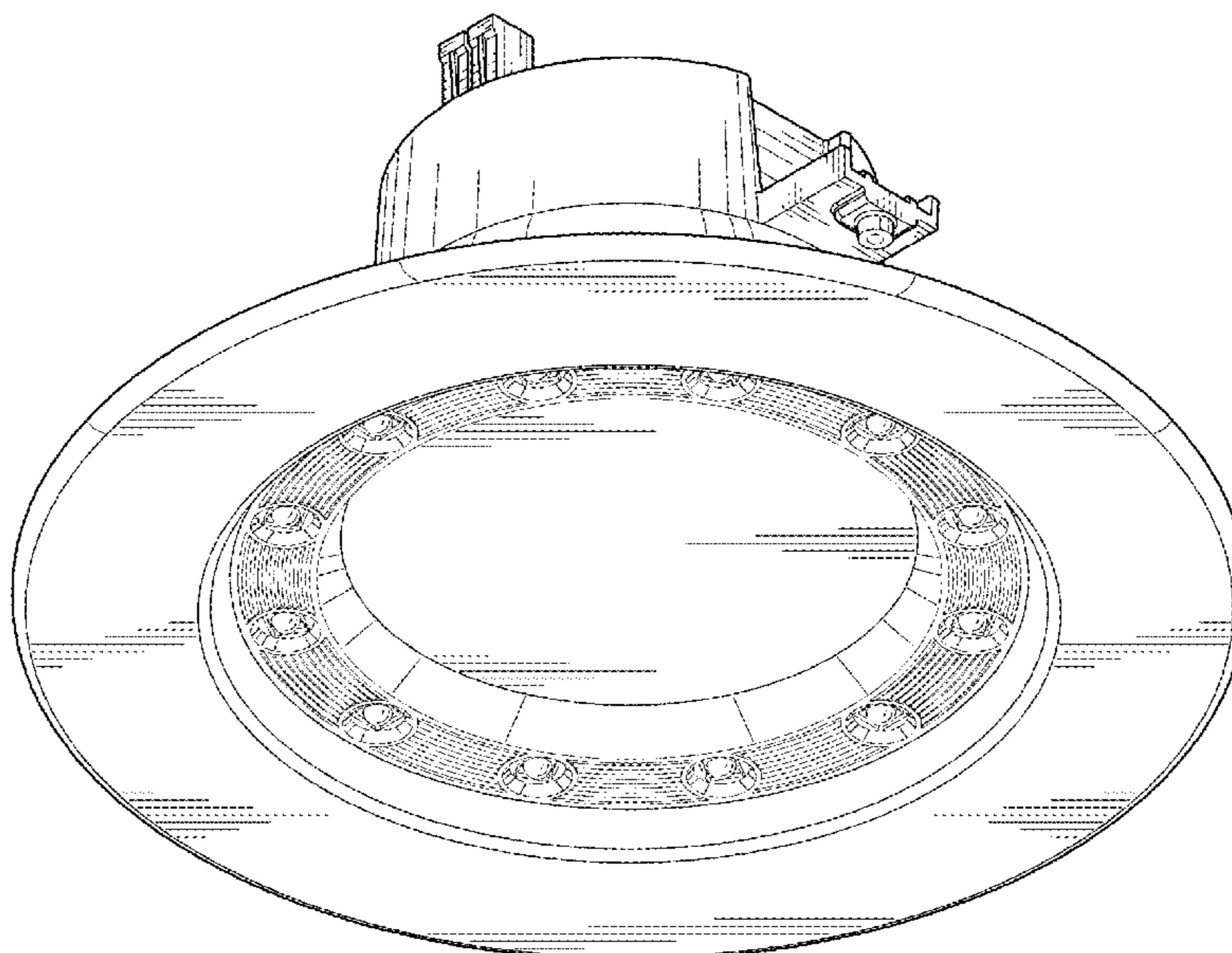
The ornamental design for an ultraviolet sanitizing recessed downlight, as shown and described.

DESCRIPTION

FIG. 1 is a front, right side and top perspective view of an ultraviolet sanitizing recessed downlight showing the claimed design;
FIG. 2 is a front elevational view thereof;
FIG. 3 is a rear elevational view thereof;
FIG. 4 is a left side elevational view thereof;
FIG. 5 is a right side elevational view thereof;
FIG. 6 is a top plan view thereof;
FIG. 7 is a bottom plan view thereof; and,
FIG. 8 is a rear, left side and bottom perspective view thereof.

The broken lines in the drawing depict portions of the ultraviolet sanitizing recessed downlight that form no part of the claimed design.

1 Claim, 8 Drawing Sheets



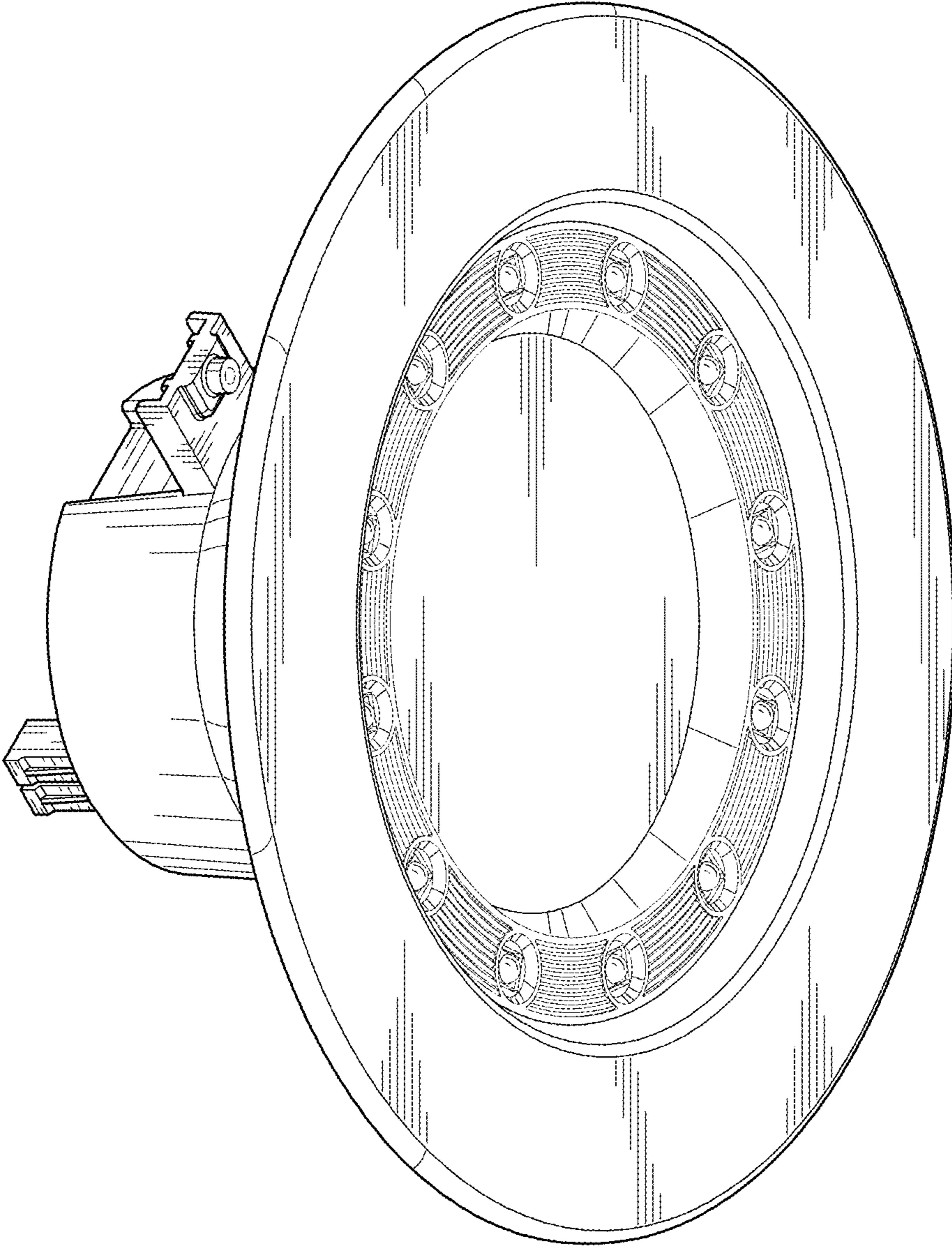


FIG. 1

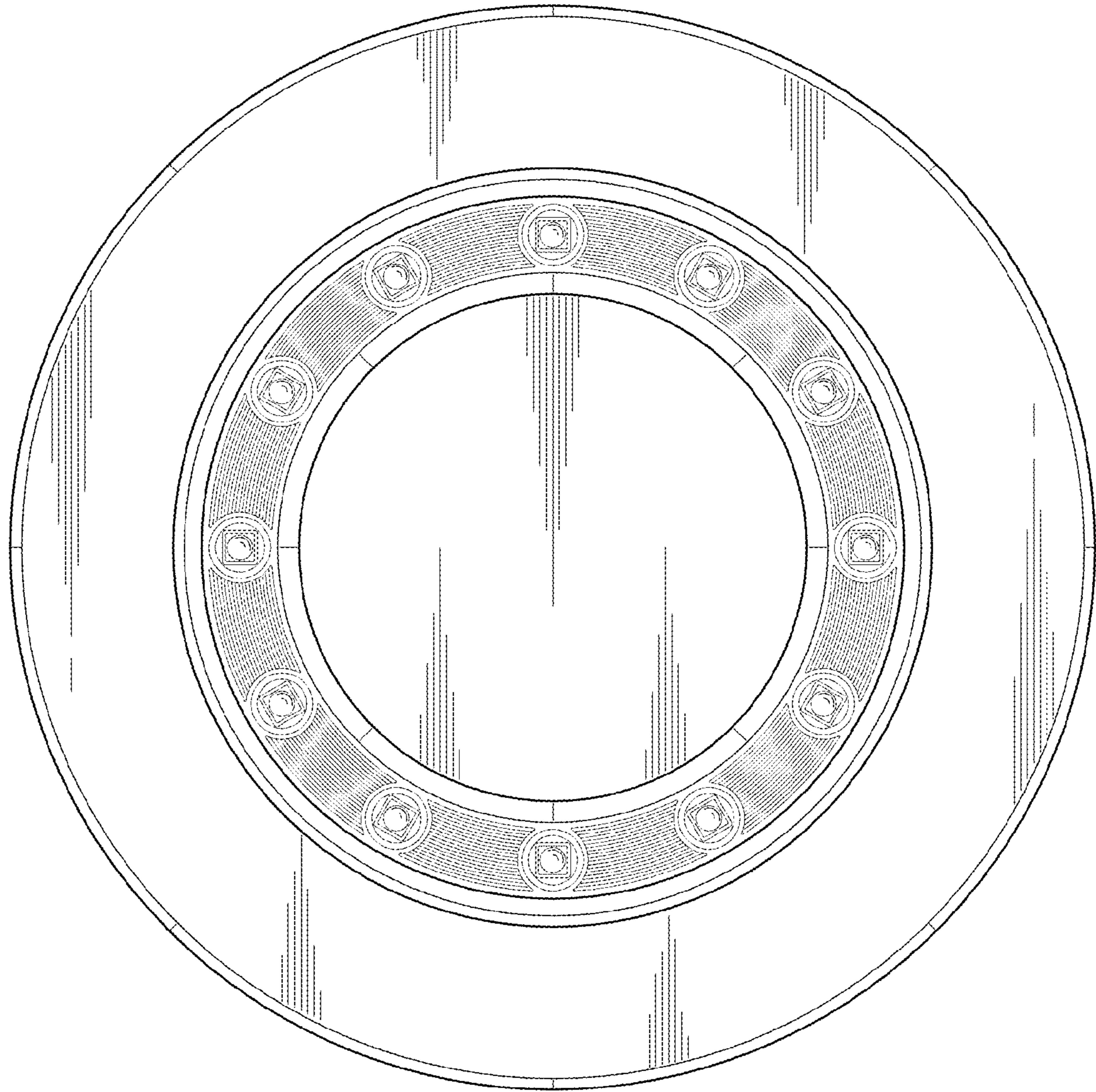


FIG. 2

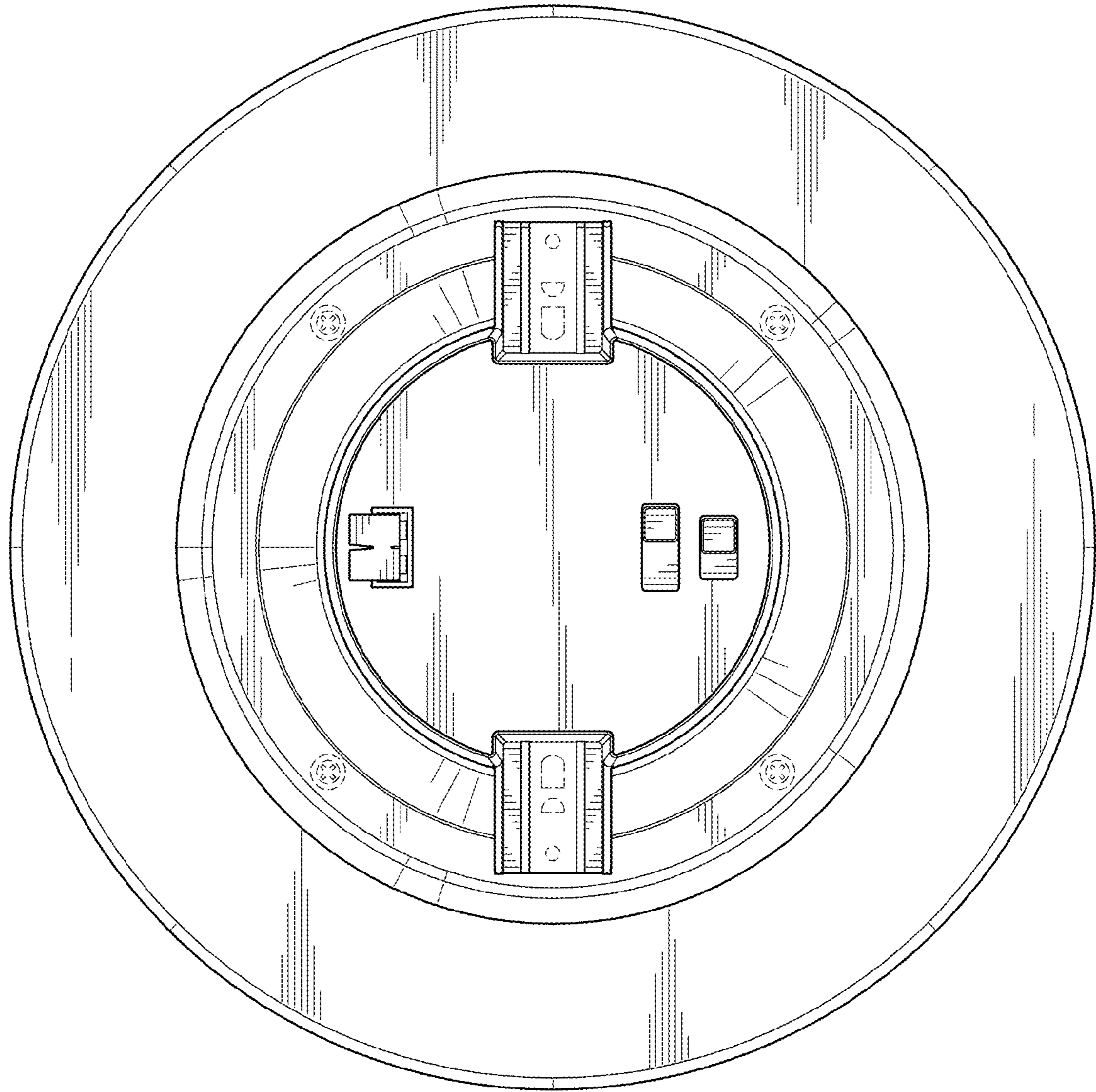


FIG. 3

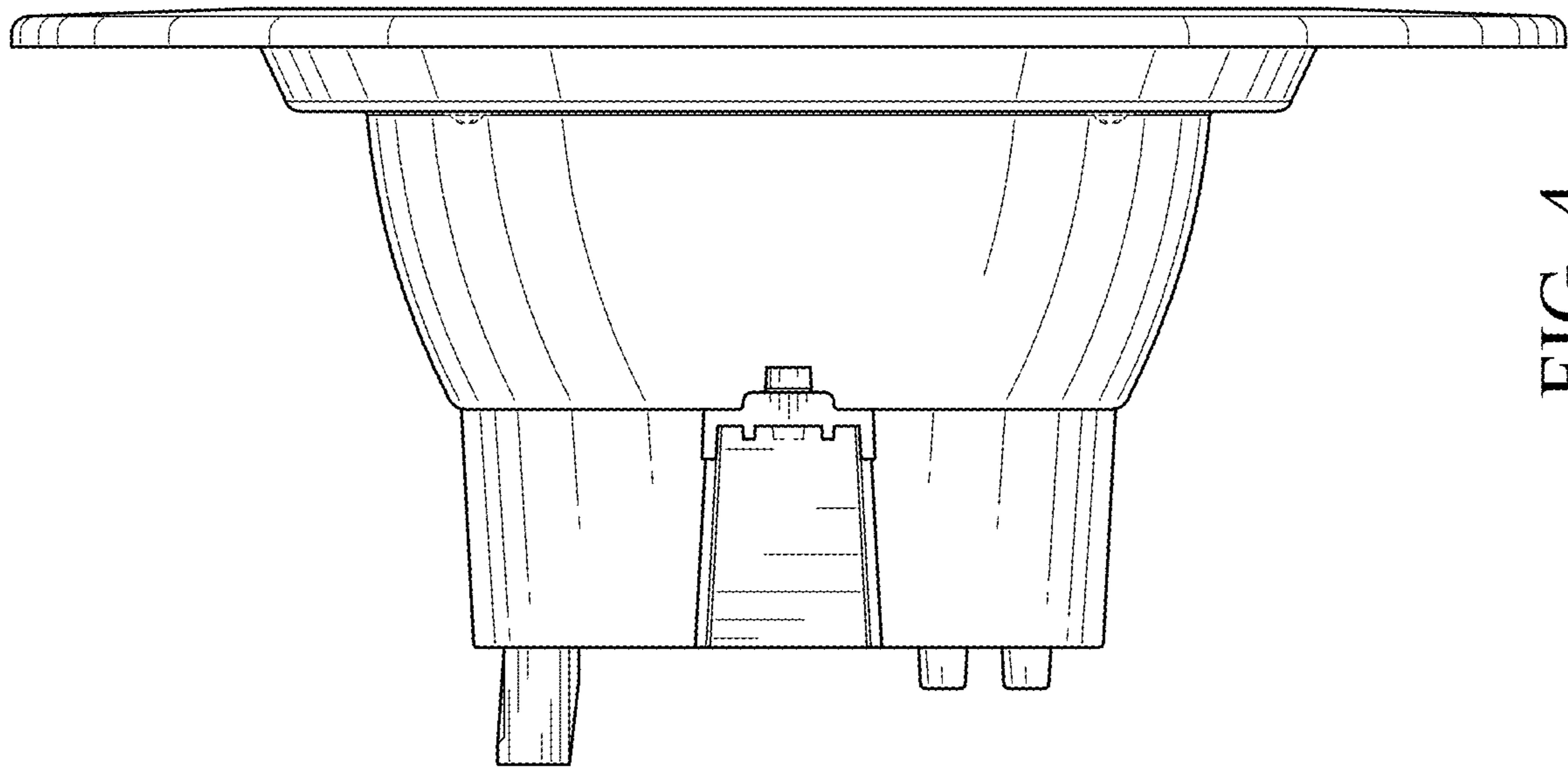


FIG. 4

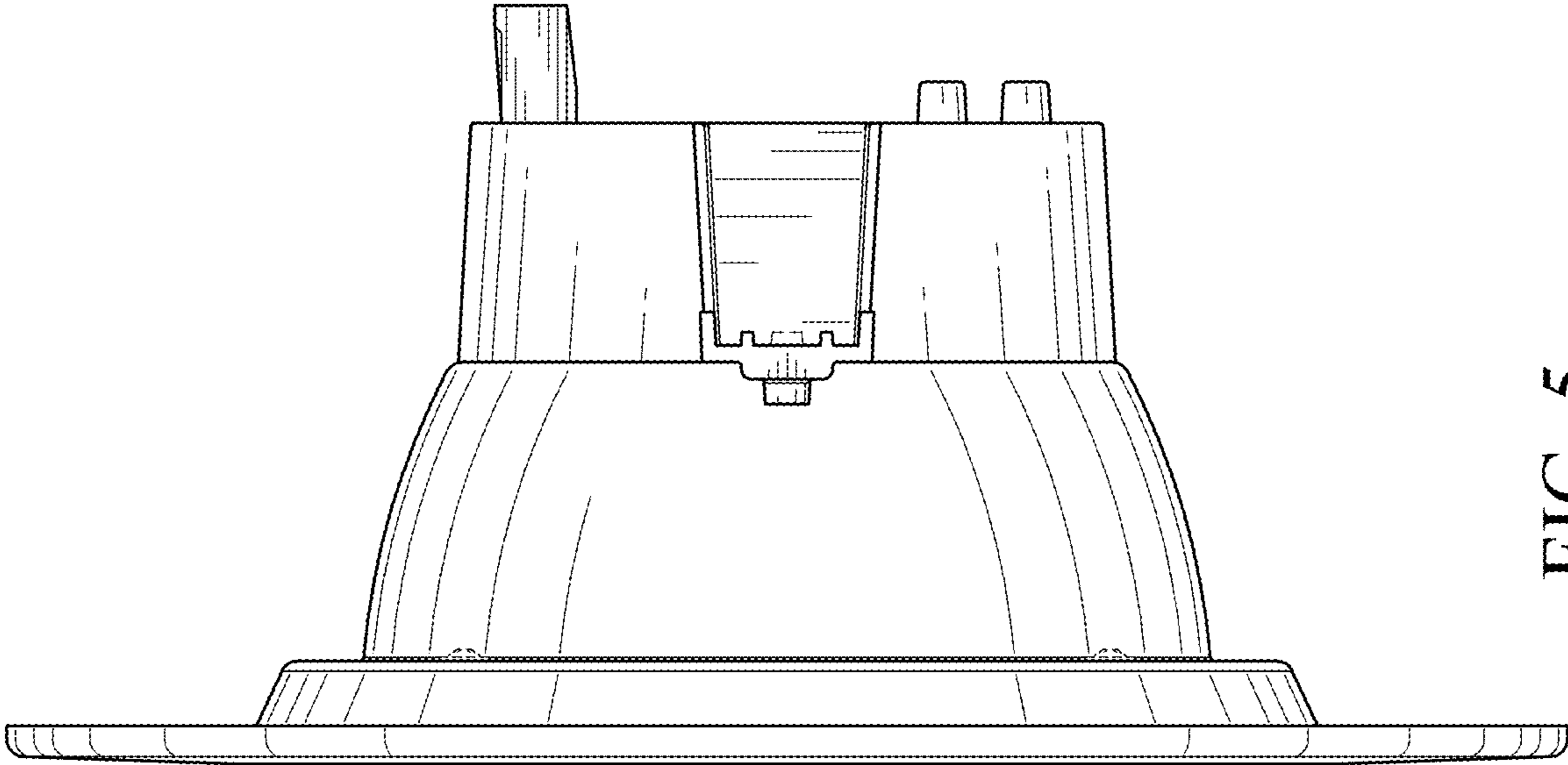


FIG. 5

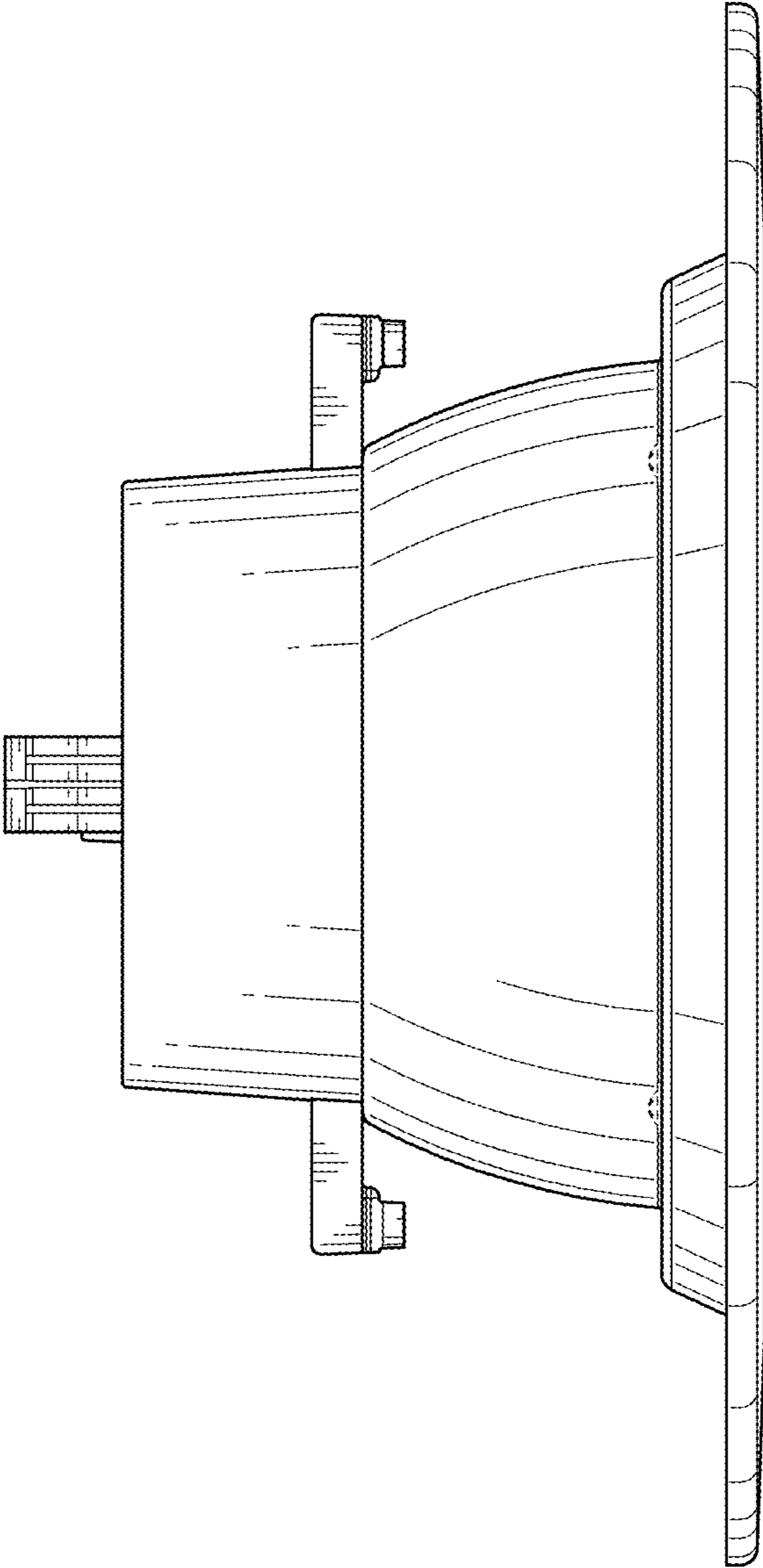


FIG. 6

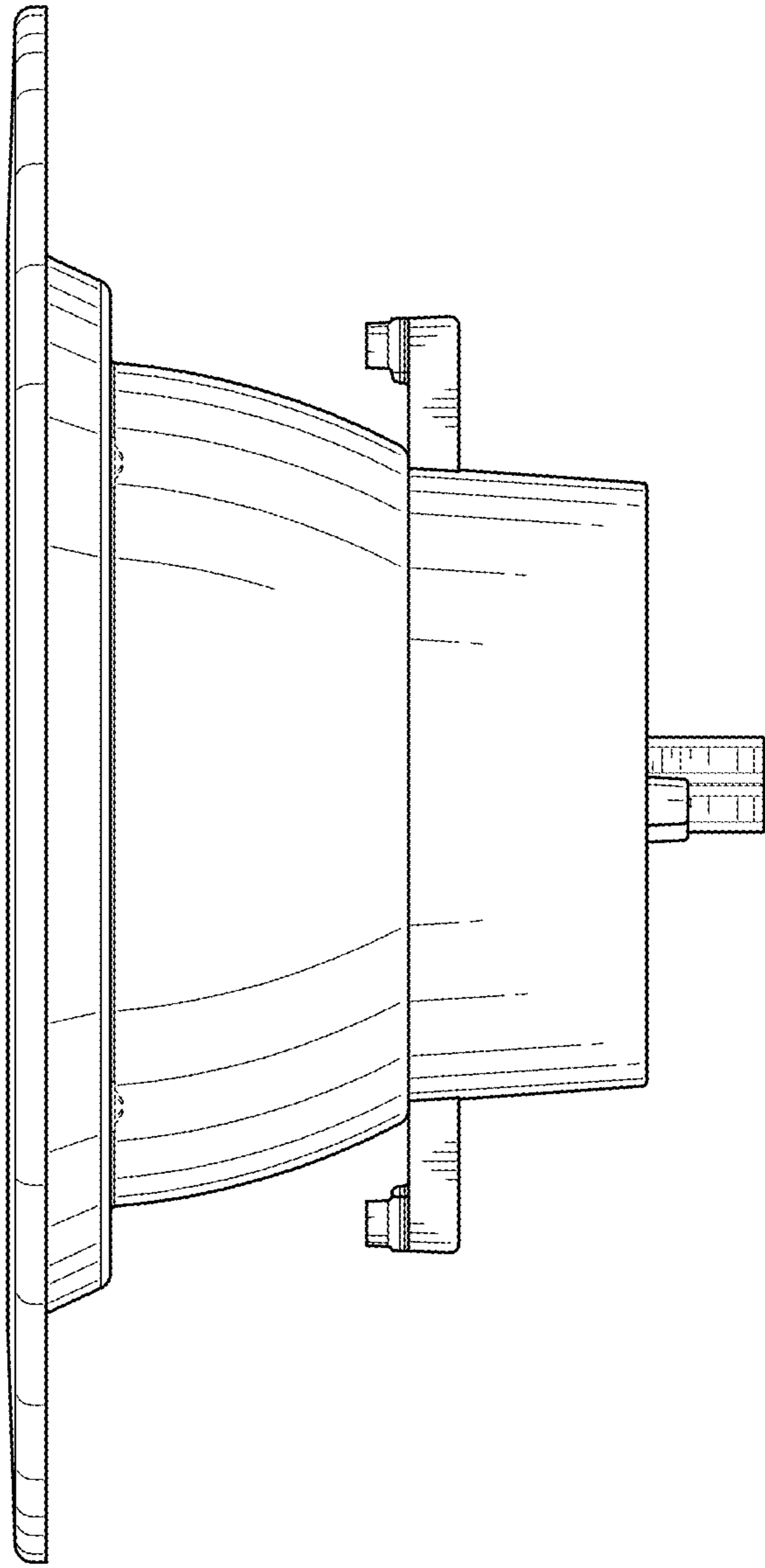


FIG. 7

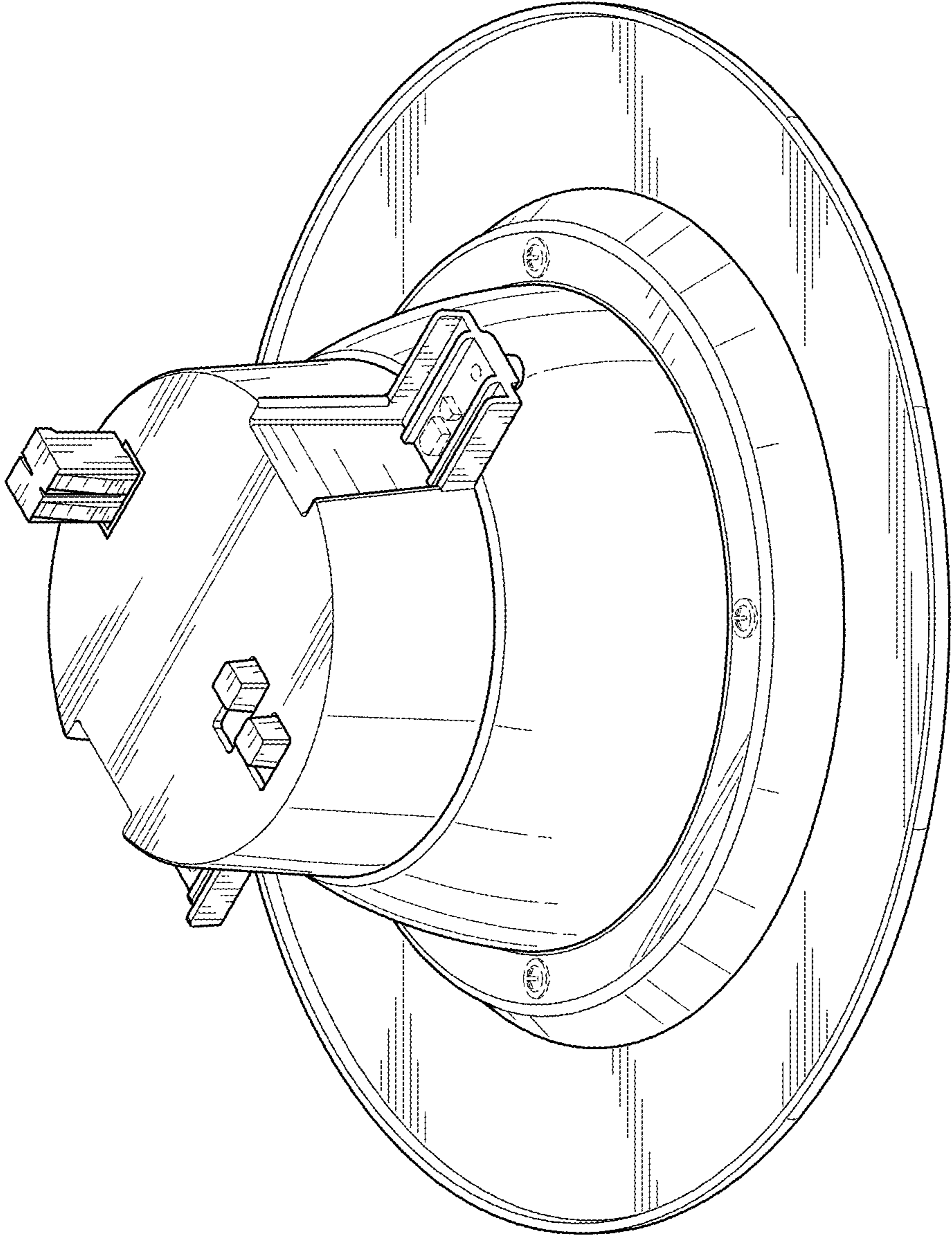


FIG. 8