



US00D942665S

(12) **United States Design Patent** (10) **Patent No.:** **US D942,665 S**
Hsu (45) **Date of Patent:** **** Feb. 1, 2022**

(54) **LAMP**

(56) **References Cited**

(71) Applicant: **Dong Guan Jia Sheng Lighting Technology Co., Ltd. China,**
Dong-Guna (CN)

(72) Inventor: **Kevin Hsu,** Taichung (TW)

(73) Assignee: **Dong Guan Jia Sheng Lighting Technology Co., Ltd. China,**
Guang-Dong (CN)

(**) Term: **15 Years**

(21) Appl. No.: **29/723,642**

(22) Filed: **Feb. 10, 2020**

(51) **LOC (13) Cl.** **26-05**

(52) **U.S. Cl.**
USPC **D26/74**

(58) **Field of Classification Search**
USPC D26/74, 72, 75, 76, 77, 78, 85, 88, 89,
D26/118, 138, 141; 362/364, 365, 373,
362/145, 146, 147, 148, 150, 153, 153.1,
362/294, 296.01, 296.07, 296.08
CPC F21V 29/2262; F21V 7/06; F21V 21/044;
F21V 21/047; F21V 29/2212; F21V
29/2225; F21V 29/2256; F21V 29/225;
F21V 29/2268; F21Y 2111/002; F21S
8/02; F21S 8/026

See application file for complete search history.

U.S. PATENT DOCUMENTS

D509,617 S *	9/2005	Benghozi	D26/74
D622,434 S *	8/2010	Ward	F21V 21/02
			D26/74
D773,097 S *	11/2016	Zhao	D26/74
D855,861 S *	8/2019	Perrone	D26/74
D884,249 S *	5/2020	Mei	D26/74
D888,313 S *	6/2020	Xie	D26/74
D901,745 S *	11/2020	Yang	D26/74
D919,871 S *	5/2021	Ghasabi	D26/74
D920,563 S *	5/2021	Xie	D26/89

* cited by examiner

Primary Examiner — Angela J Lee

(74) *Attorney, Agent, or Firm* — Karin L. Williams; Alan D. Kamrath; Mayer & Williams PC

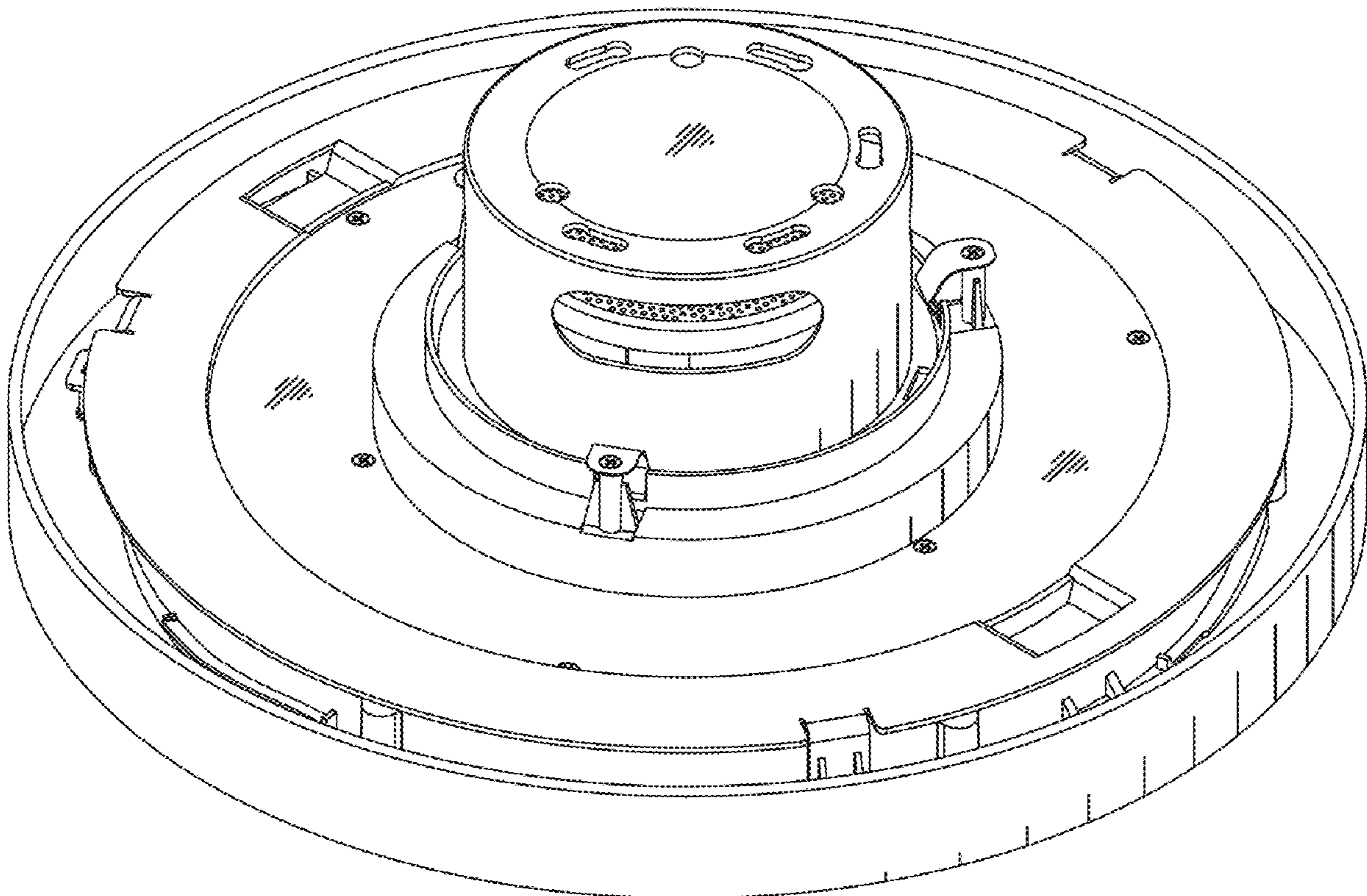
(57) **CLAIM**

The ornamental design for a lamp, as shown and described.

DESCRIPTION

FIG. 1 is a perspective view of a lamp showing my design.
FIG. 2 is a front elevational view thereof.
FIG. 3 is a rear elevational view thereof.
FIG. 4 is a left side elevational view thereof.
FIG. 5 is a right side elevational view thereof.
FIG. 6 is a top plan view thereof; and,
FIG. 7 is a bottom plan view thereof.

1 Claim, 5 Drawing Sheets



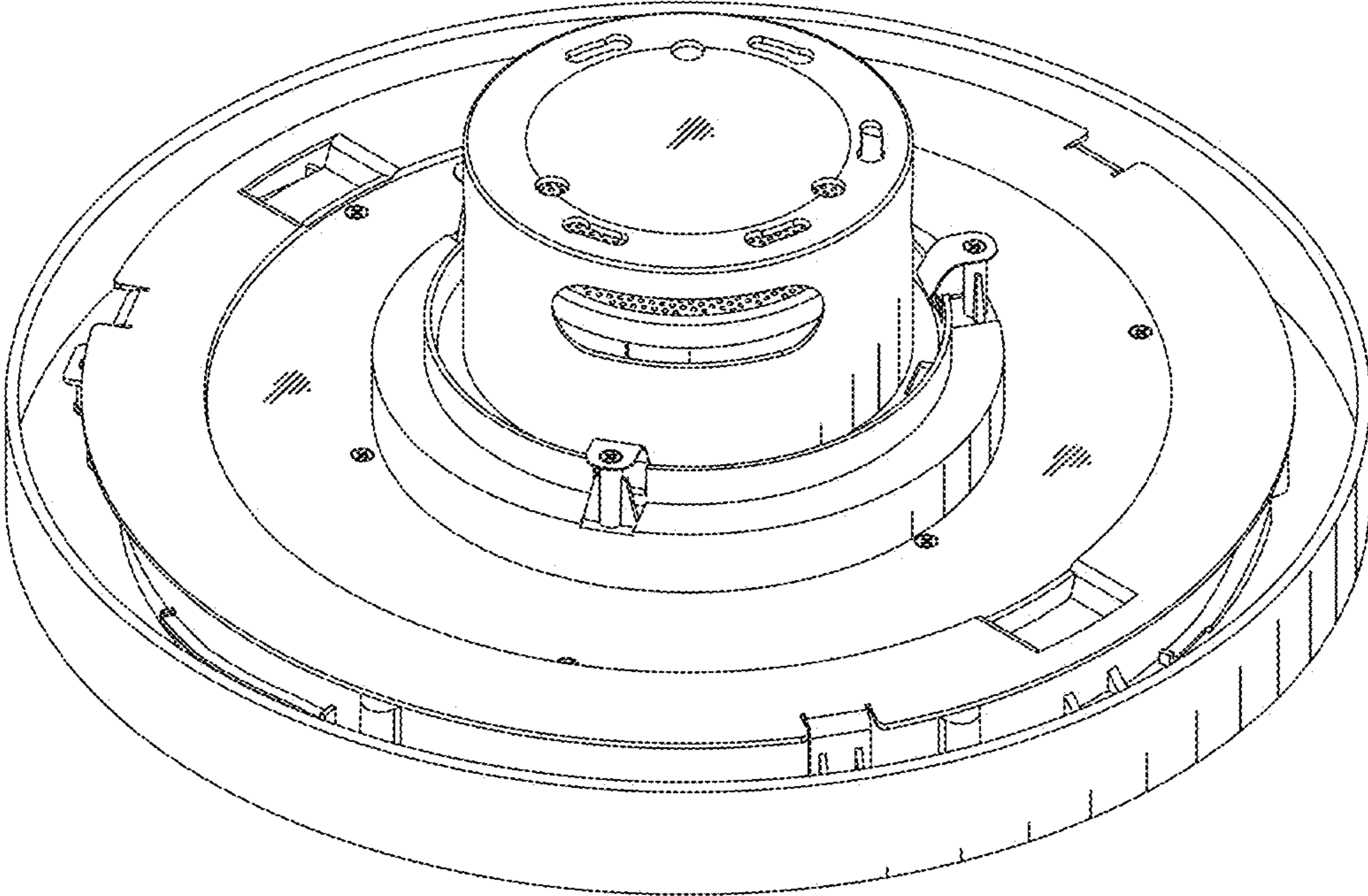


FIG.1

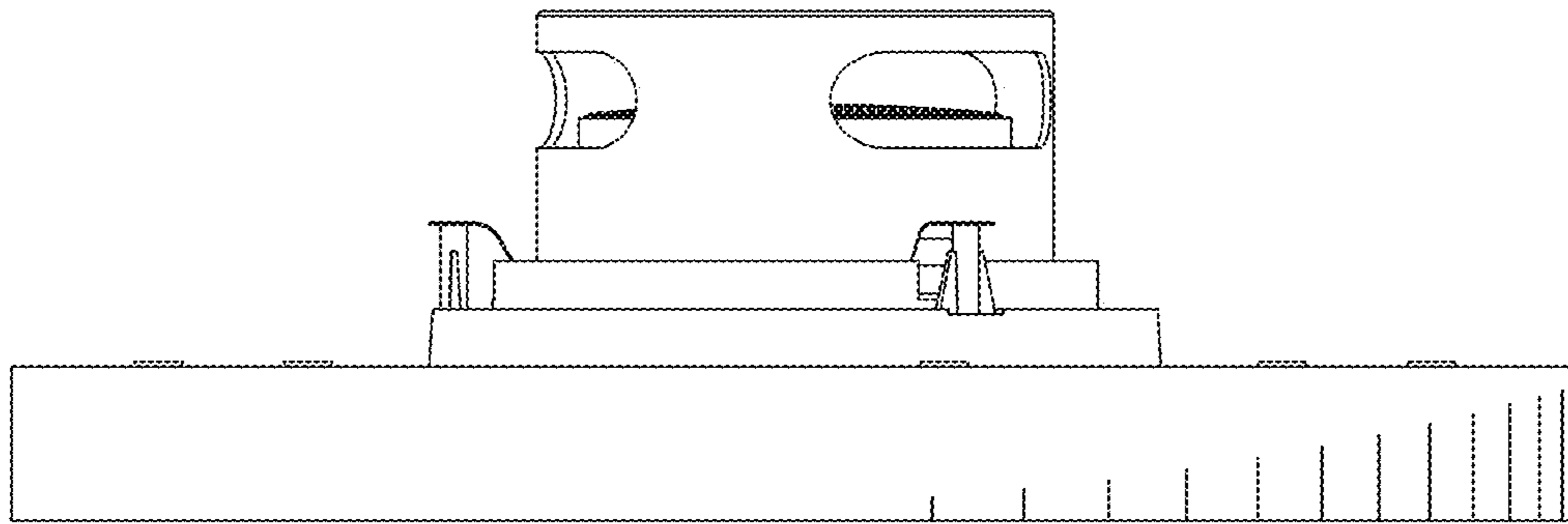


FIG. 2

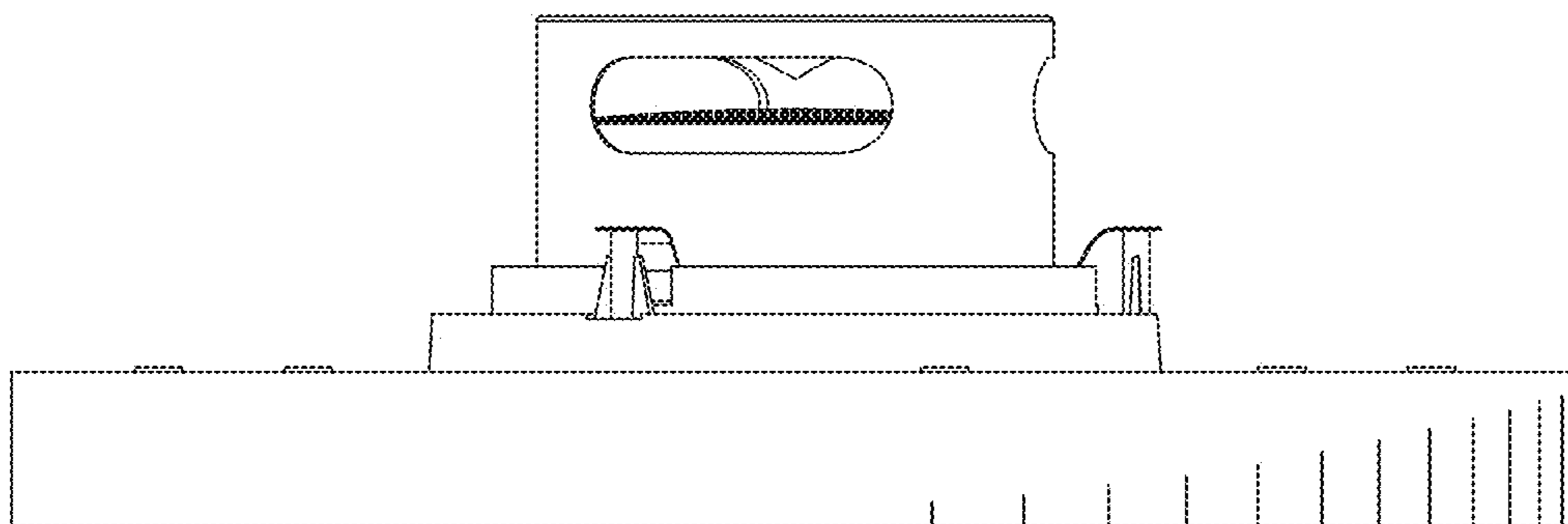


FIG. 3

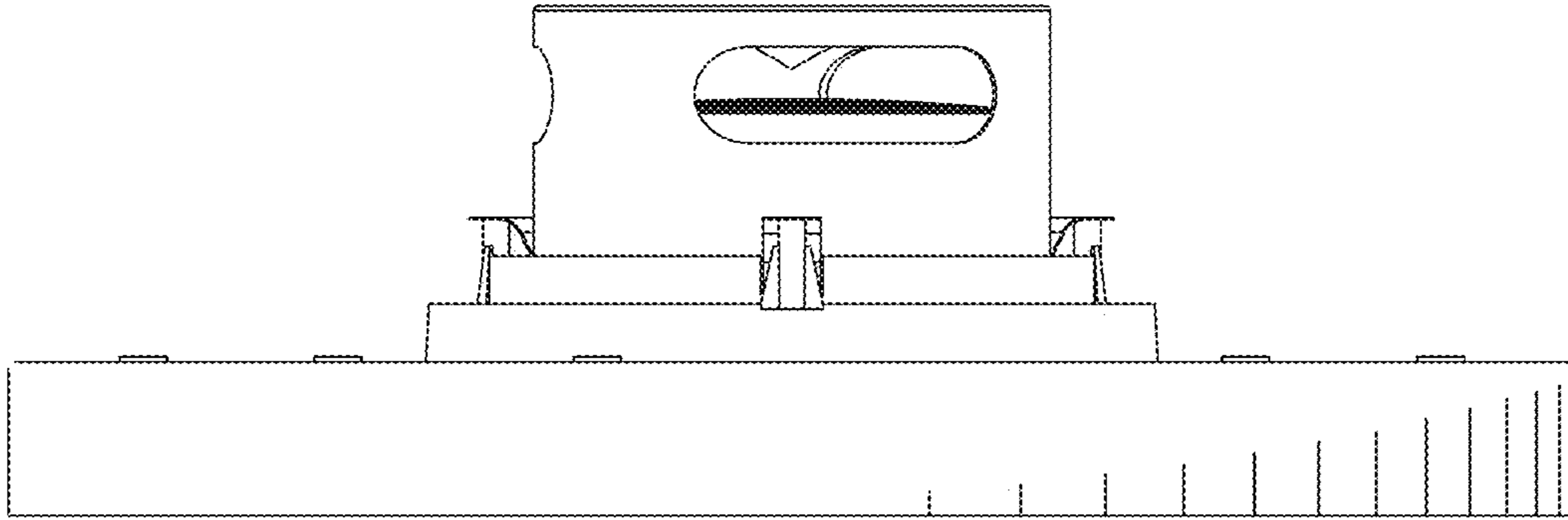


FIG. 4

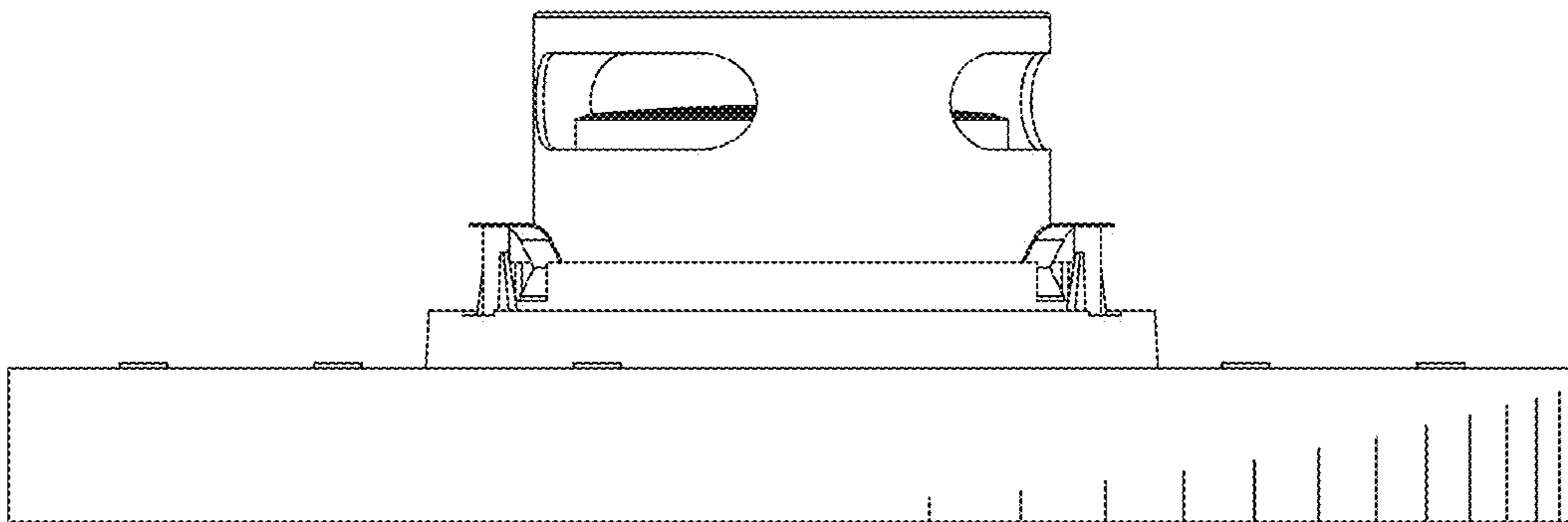


FIG. 5

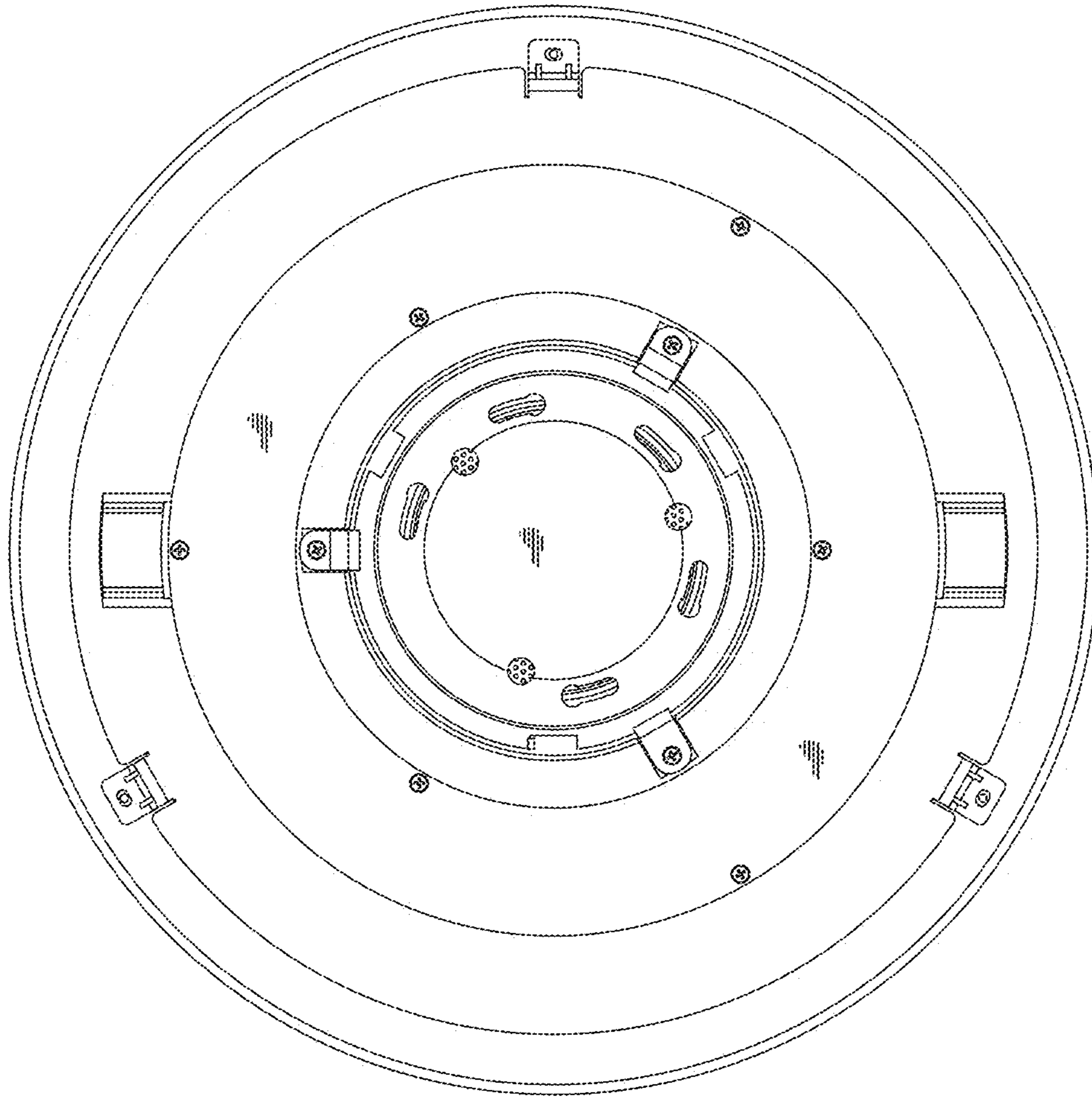


FIG.6

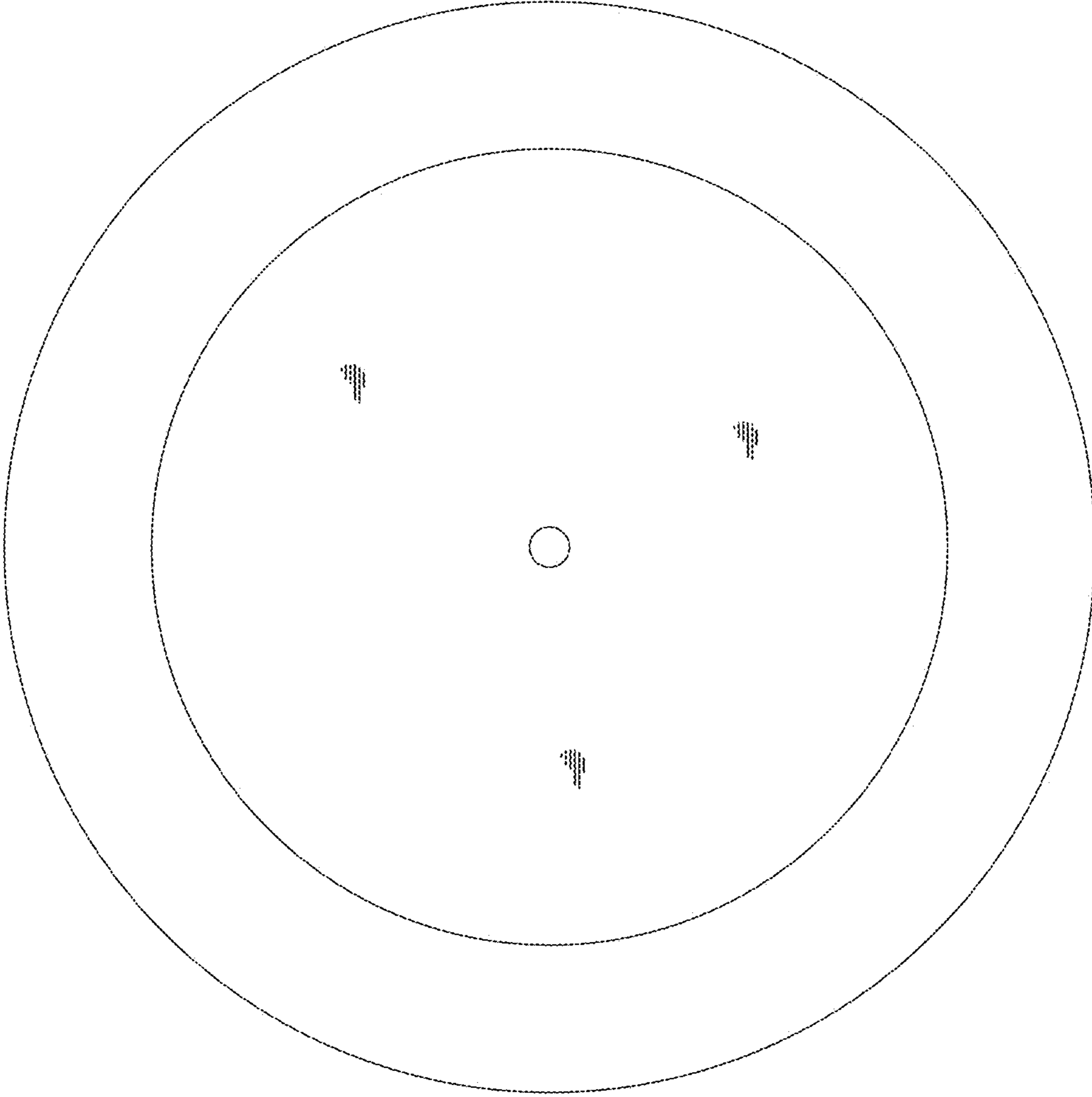


FIG.7