



US00D942663S

(12) **United States Design Patent**
Liao

(10) **Patent No.:** **US D942,663 S**

(45) **Date of Patent:** **** Feb. 1, 2022**

(54) **SOLAR HANGING LIGHT**

(71) Applicant: **Jia Liao**, Zhuhai (CN)

(72) Inventor: **Jia Liao**, Zhuhai (CN)

(**) Term: **15 Years**

(21) Appl. No.: **29/795,186**

(22) Filed: **Jun. 17, 2021**

(51) **LOC (13) Cl.** **26-05**

(52) **U.S. Cl.**
USPC **D26/67**

(58) **Field of Classification Search**
USPC D26/40, 41, 67-70, 72, 85
CPC F21S 8/03; F21S 8/033; F21S 8/036; F21S
8/081; F21S 9/037; F21W 2111/02;
F21W 2111/023; F21W 2131/109
See application file for complete search history.

(56) **References Cited**

U.S. PATENT DOCUMENTS

D44,598 S *	8/1913	Thamm	D26/41
D466,243 S *	11/2002	Chen	D26/67
D511,018 S	10/2005	Sooferian		
D625,874 S *	10/2010	Sanoner	D26/67
D672,488 S *	12/2012	Chen	D26/67
D862,768 S	10/2019	Richardson		
D862,769 S	10/2019	Richardson		
D862,773 S	10/2019	Richardson		
D881,434 S	4/2020	He		
D886,344 S *	6/2020	Ho	D26/41
D887,061 S	6/2020	Li		
D888,306 S *	6/2020	Ho	D26/41
D898,972 S	10/2020	Pei		
D899,658 S	10/2020	Wang		
D903,173 S *	11/2020	Zhu	D26/41
D908,943 S	1/2021	Huang		
D912,293 S	3/2021	Mai		
D921,249 S *	6/2021	Peng	D26/41
D923,229 S *	6/2021	Liao	D26/67

D931,511 S *	9/2021	Yan	F21L 4/00 D26/40
2012/0069581 A1*	3/2012	Chen	F21V 21/0824 362/311.14
2019/0049096 A1*	2/2019	Harper	F21V 21/108

OTHER PUBLICATIONS

EXCMARK Hanging Solar Lantern ASIN: B08GZJ4HT3 available from amazon.com as early as Mar. 25, 2021. (Year: 2021).*
MAGGIFT 2 Pack Solar Hanging Lights ASIN: B09531KJ32 available from amazon.com May 17, 2021. (Year: 2021).*
Twinkya 2 Pack Hanging Solar Lights ASIN: B08Y7Z1HQN available from amazon.com Mar. 7, 2021. (Year: 2021).*
OxyLED Solar Lanterns ASIN: B08979PLDR available from amazon.com May 27, 2020. (Year: 2020).*

* cited by examiner

Primary Examiner — Clare E Heflin

(74) *Attorney, Agent, or Firm* — Runit Ranjt Kanakia

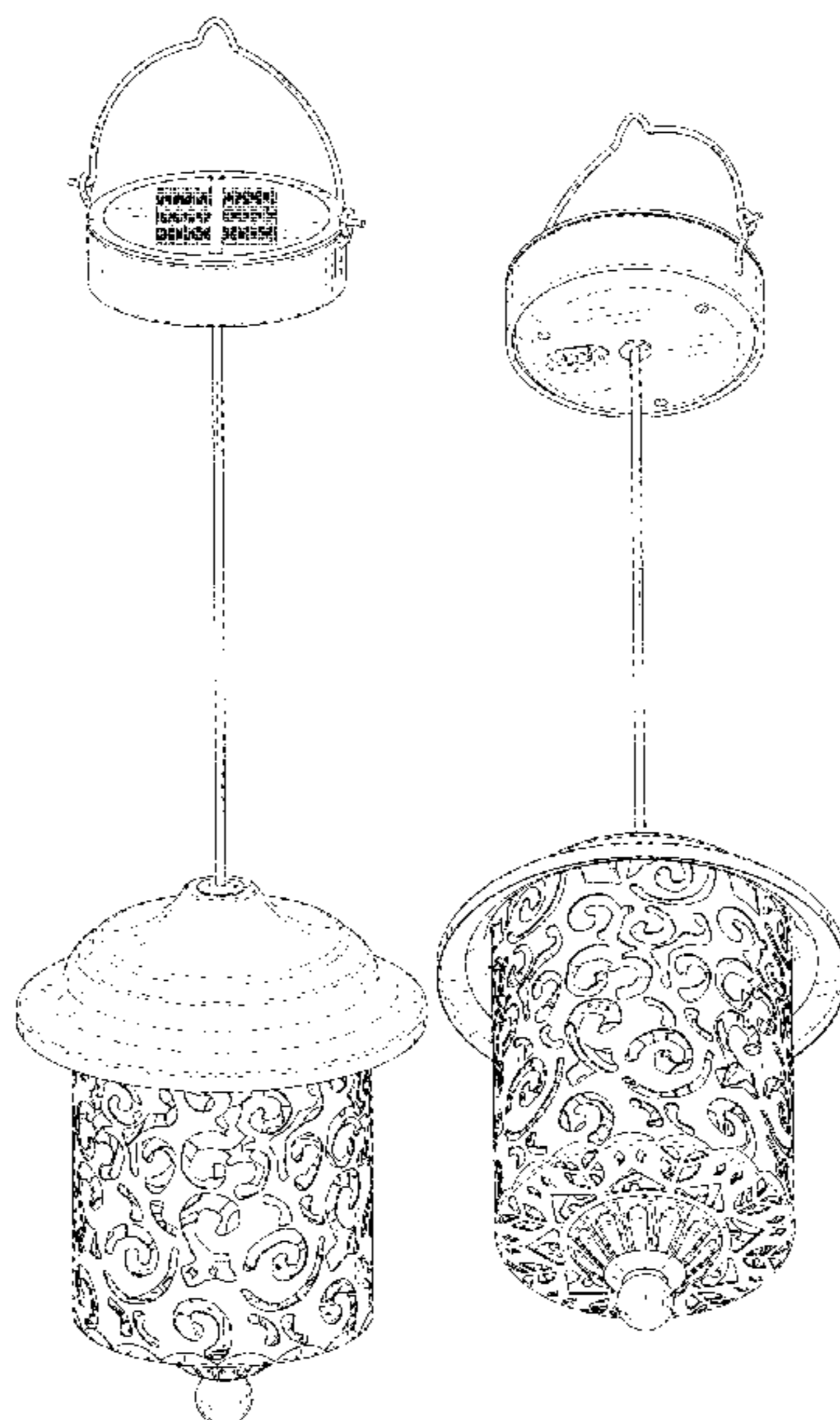
(57) **CLAIM**

The ornamental design for a solar hanging light, as shown and described.

DESCRIPTION

FIG. 1 is a front elevational view of a solar hanging light showing my new design;
FIG. 2 is a rear elevational view thereof; and
FIG. 3 is a left side elevational view thereof;
FIG. 4 is a right side elevational view thereof;
FIG. 5 is a top plan view thereof;
FIG. 6 is a bottom plan view thereof;
FIG. 7 is a perspective view of a solar hanging light showing my new design; and,
FIG. 8 is another perspective view thereof.
The broken lines in the figures are for the purposes of illustrating portions of the solar hanging light, which form no part of the claimed design.

1 Claim, 8 Drawing Sheets



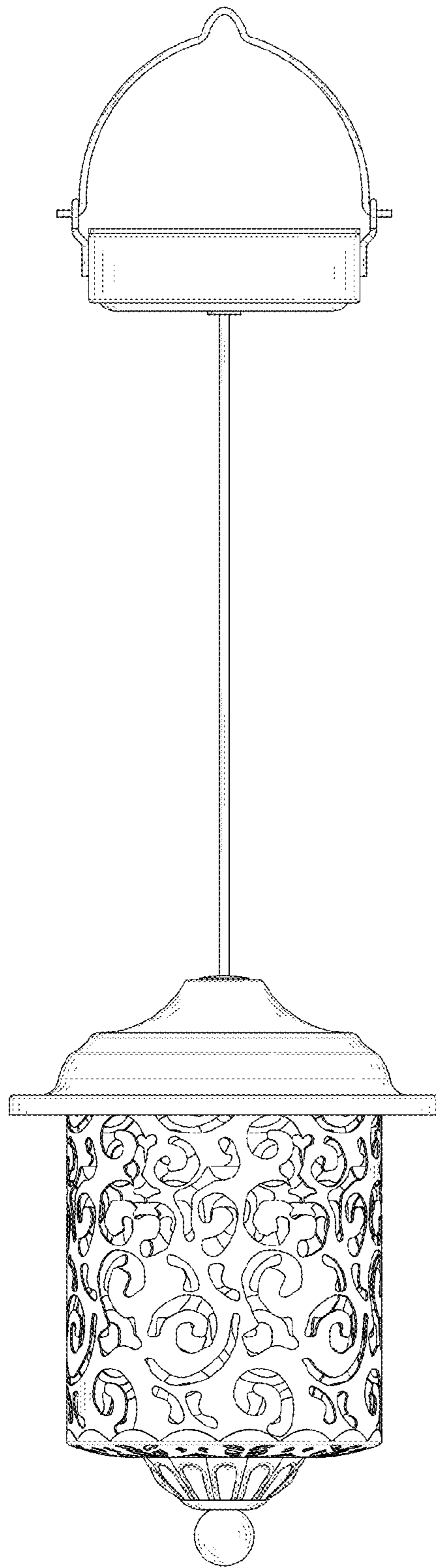


FIG. 1

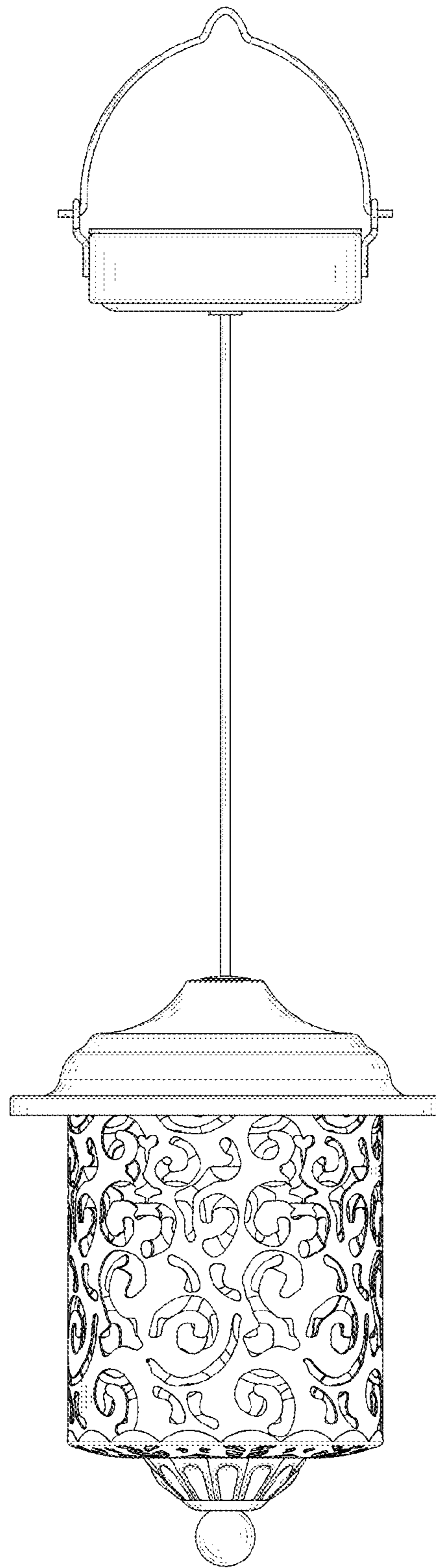


FIG. 2

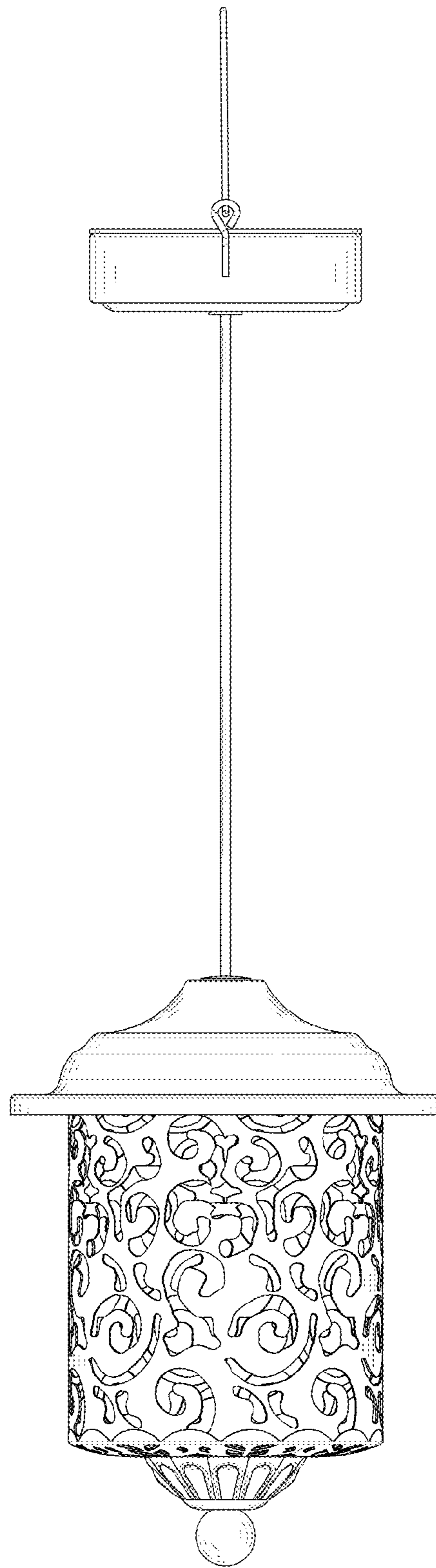


FIG. 3

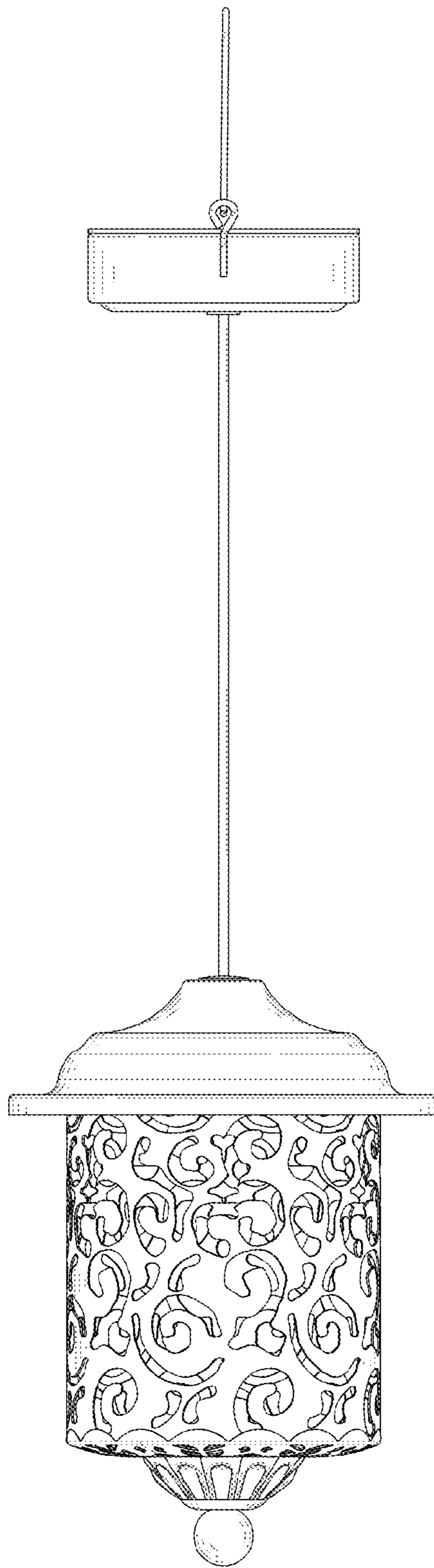


FIG. 4

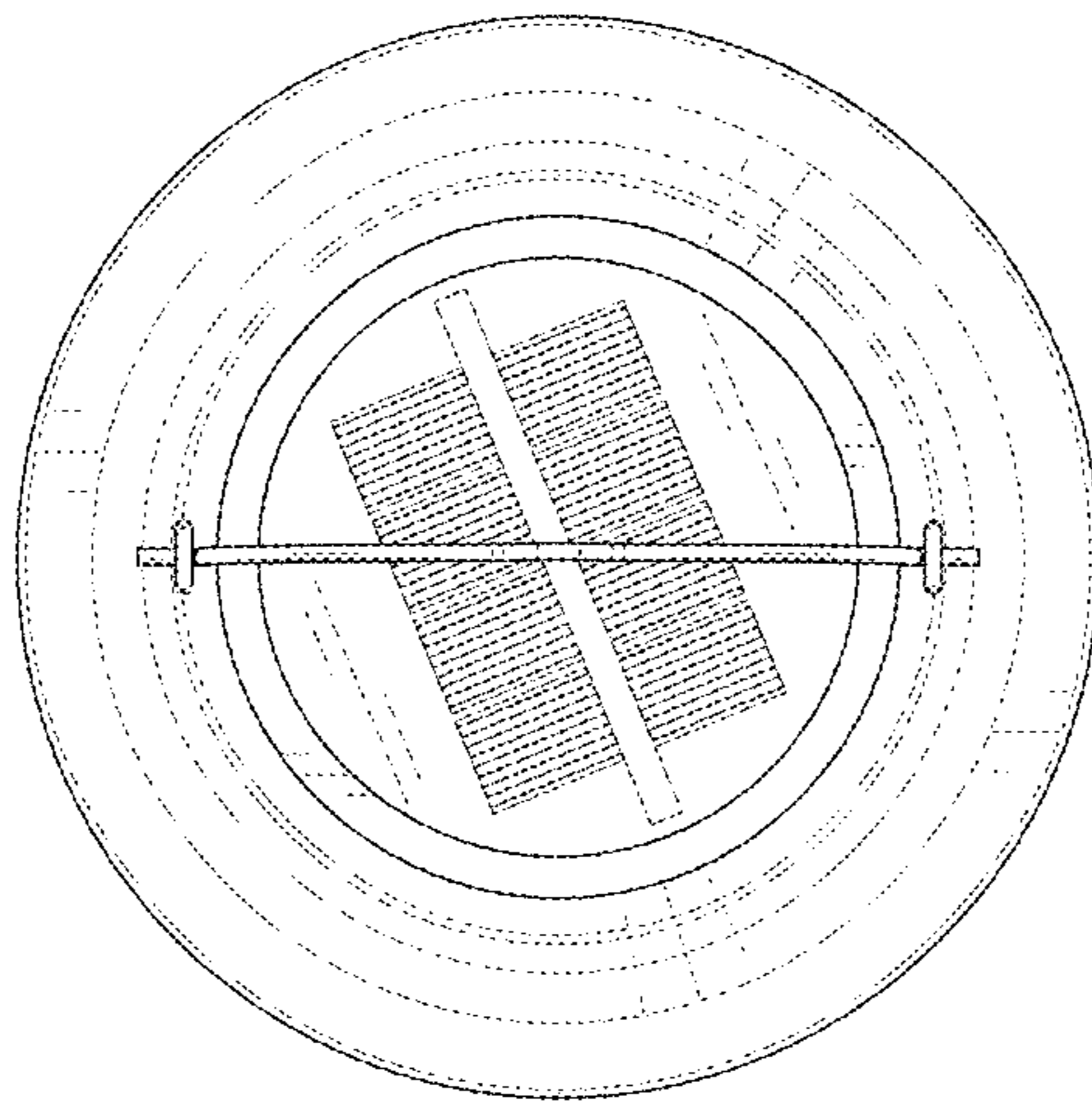


FIG. 5

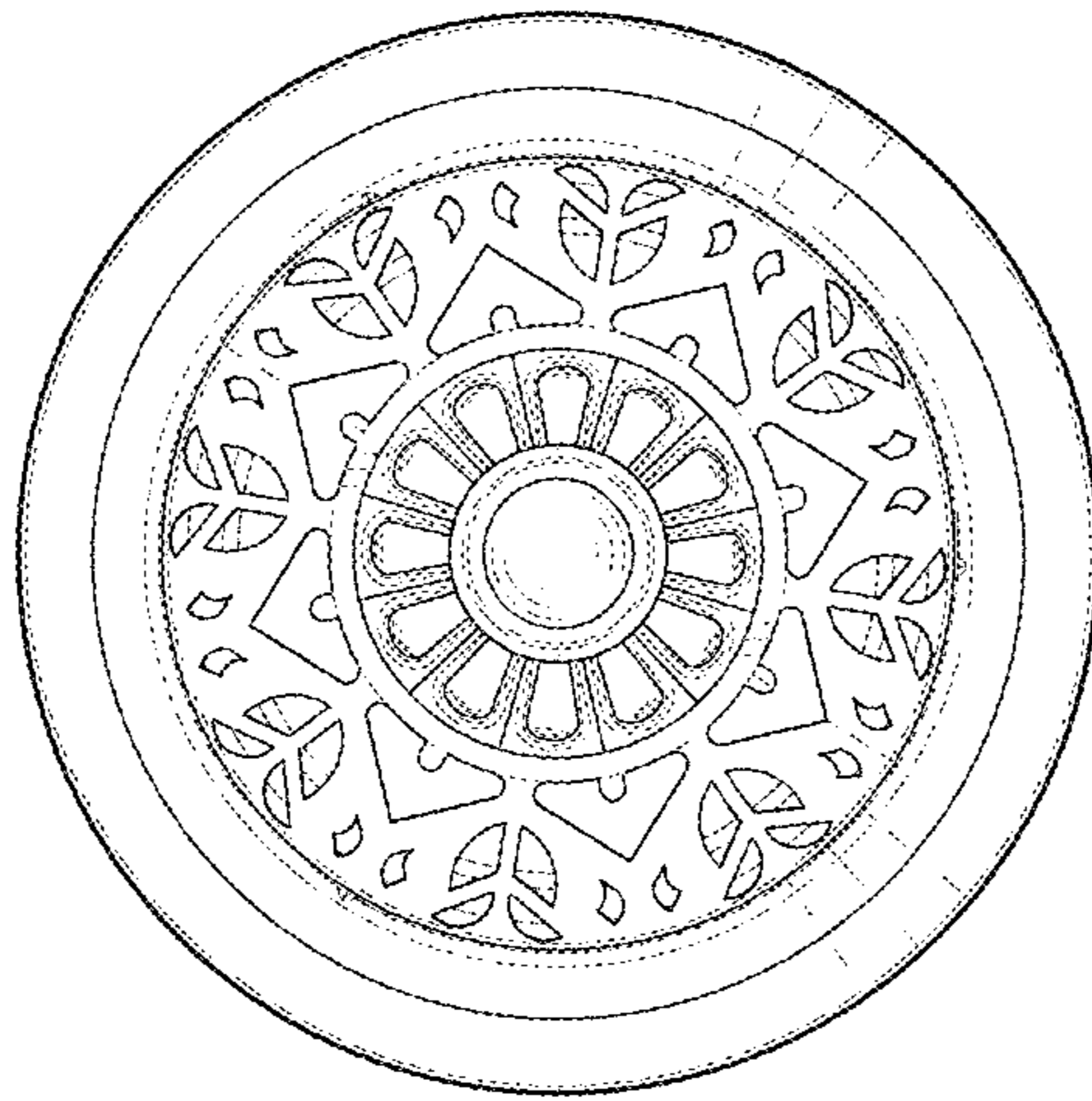


FIG. 6

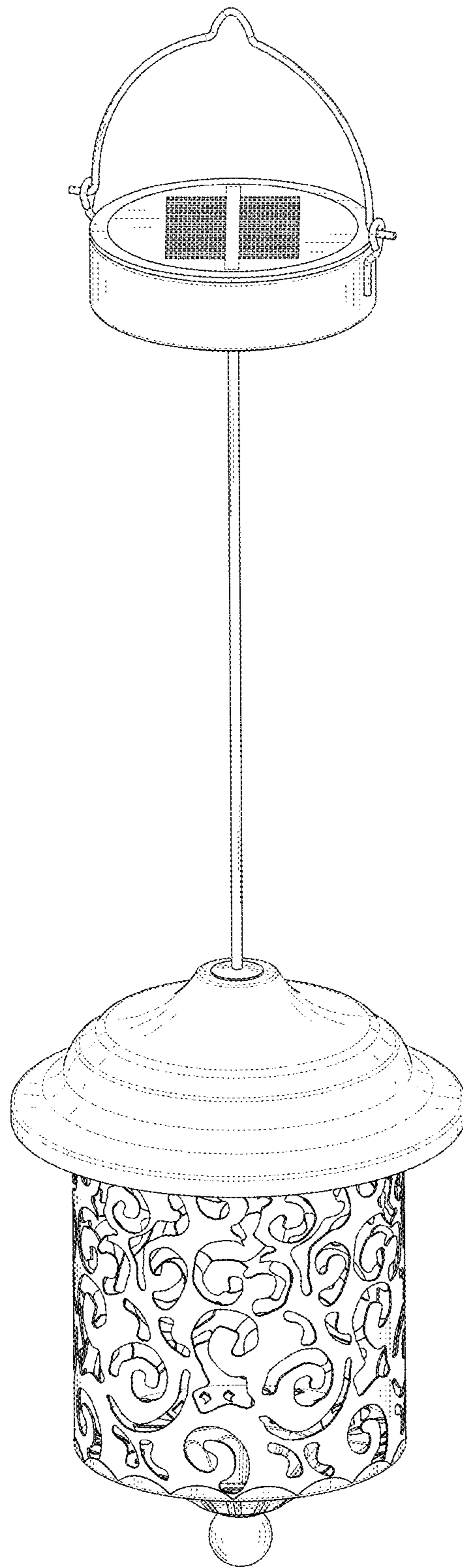


FIG. 7

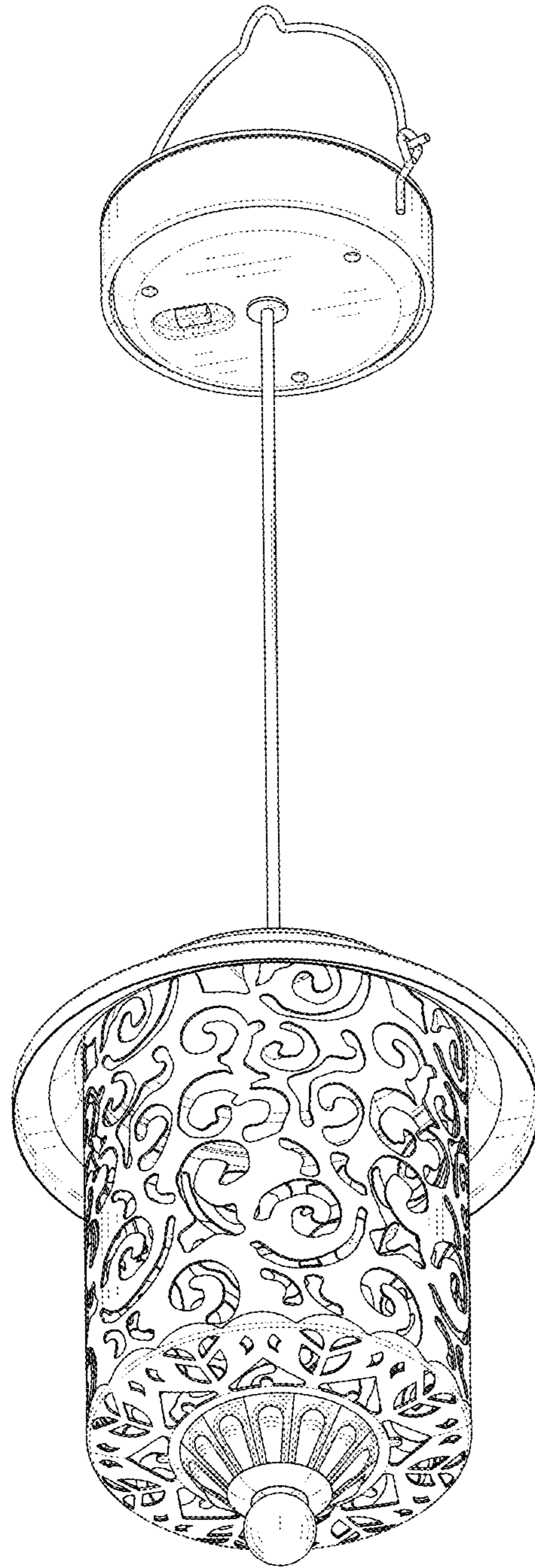


FIG. 8