



US00D942662S

(12) **United States Design Patent** (10) **Patent No.:** **US D942,662 S**  
**Wang** (45) **Date of Patent:** **\*\* Feb. 1, 2022**

(54) **OUTDOOR GROUND LIGHT**  
(71) Applicant: **SHENZHEN HUA EN XING TECHNOLOGY CO., LTD.**, Shenzhen (CN)

(72) Inventor: **Kai Wang**, Shenzhen (CN)

(73) Assignee: **SHENZHEN HUA EN XING TECHNOLOGY CO., LTD.**, Shenzhen (CN)

(\*\*) Term: **15 Years**

(21) Appl. No.: **29/763,229**

(22) Filed: **Dec. 22, 2020**

(30) **Foreign Application Priority Data**

Oct. 15, 2020 (CN) ..... 202030613774.8

(51) **LOC (13) Cl.** ..... **26-05**

(52) **U.S. Cl.**  
USPC ..... **D26/67; D10/113.1**

(58) **Field of Classification Search**  
USPC ..... D26/67-70, 73, 85; D10/113.1  
CPC .. F21S 8/022; F21S 8/032; F21S 8/036; F21S 8/081; F21S 8/083; F21S 8/088; F21S 9/037; F21S 10/046; F21V 21/0824; F21W 2111/02; F21W 2111/023  
See application file for complete search history.

(56) **References Cited**

**U.S. PATENT DOCUMENTS**

D318,135 S *	7/1991	Hall	.....	D26/67
D565,447 S *	4/2008	Horng	.....	D10/113.1
D569,755 S *	5/2008	Humble	.....	D10/113.1
D705,972 S *	5/2014	Oostdyk	.....	D26/67
D841,857 S *	2/2019	Hollinger	.....	D26/67
D905,887 S *	12/2020	Li	.....	D26/67
D923,230 S *	6/2021	Liu	.....	D26/67
D925,091 S *	7/2021	Zhong	.....	D26/67

2006/0176683 A1 8/2006 Chien  
2007/0092334 A1\* 4/2007 Forrer ..... E01F 9/553  
404/16  
2018/0058021 A1\* 3/2018 Lee ..... F21S 8/032

**OTHER PUBLICATIONS**

Kichler Mini All-Purpose Steel 4-Way Recessed Landscape Accessory Style No. 76E79 available at lampsplus.com as early as Mar. 14, 2021. (Year: 2021).\*  
Happybuy Solar Driveway Lights, ASIN: B075YSP3CH, available at amazon.com Oct. 23, 2018. (Year: 2018).\*  
Yoelvn Solar Driveway Markers, ASIN: B094BGBY3H, available at amazon.com May 7, 2021. (Year: 2021).\*  
Volisun Solar Driveway Lights, ASIN: B08ZCCSBGR, available at amazon.com Mar. 18, 2021. (Year: 2021).\*

\* cited by examiner

*Primary Examiner* — Clare E Heflin

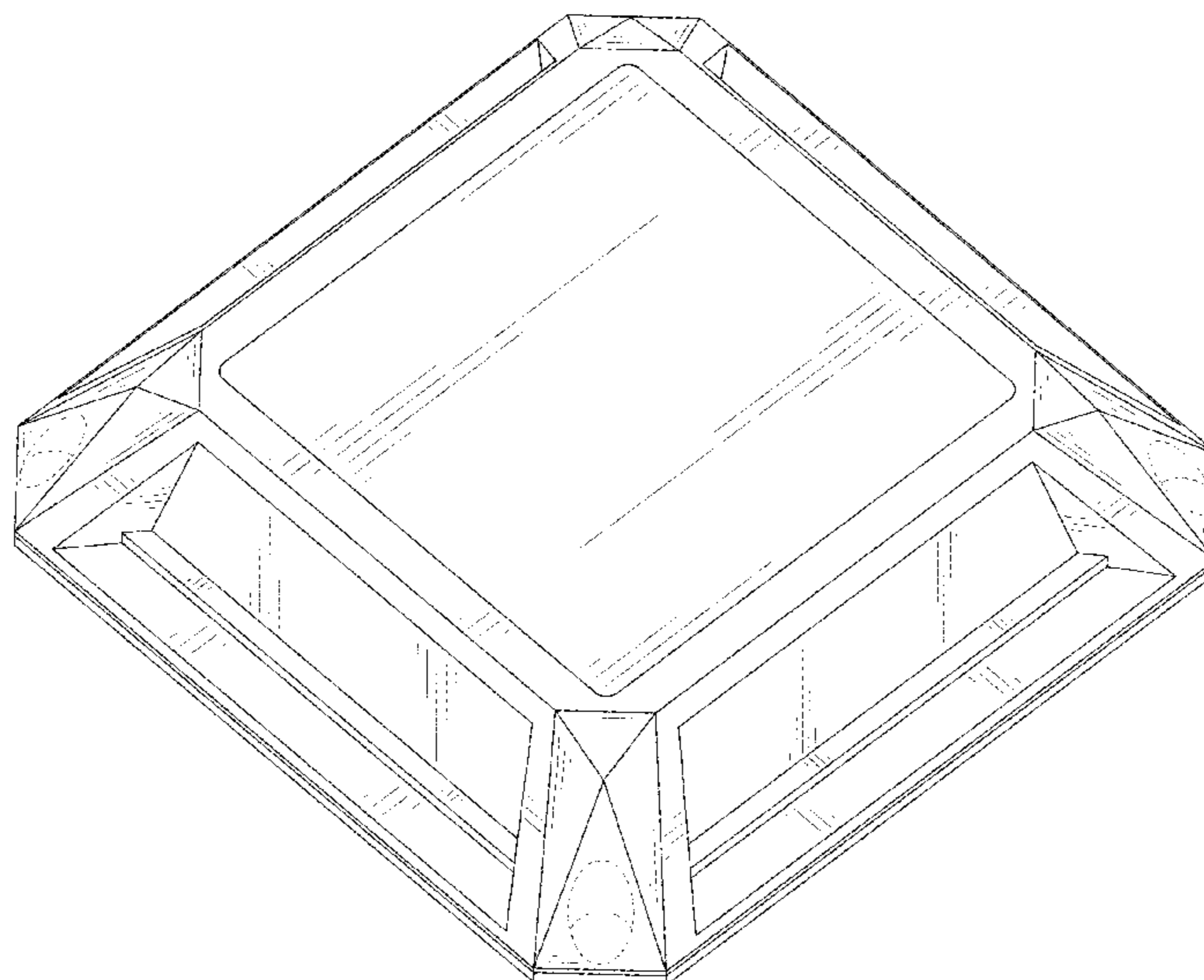
(57) **CLAIM**

The ornamental design for an outdoor ground light, as shown and described.

**DESCRIPTION**

FIG. 1 is a bottom perspective view of the outdoor ground light showing my new design;  
FIG. 2 is a top perspective view thereof;  
FIG. 3 is a bottom plan view thereof;  
FIG. 4 is a top plan view thereof;  
FIG. 5 is a left side elevation view thereof;  
FIG. 6 is a right side elevation view thereof;  
FIG. 7 is a front elevation view thereof; and,  
FIG. 8 is a rear elevation view thereof.  
The broken lines in the drawings depict portions of the outdoor ground light that form no part of the claimed design.

**1 Claim, 8 Drawing Sheets**



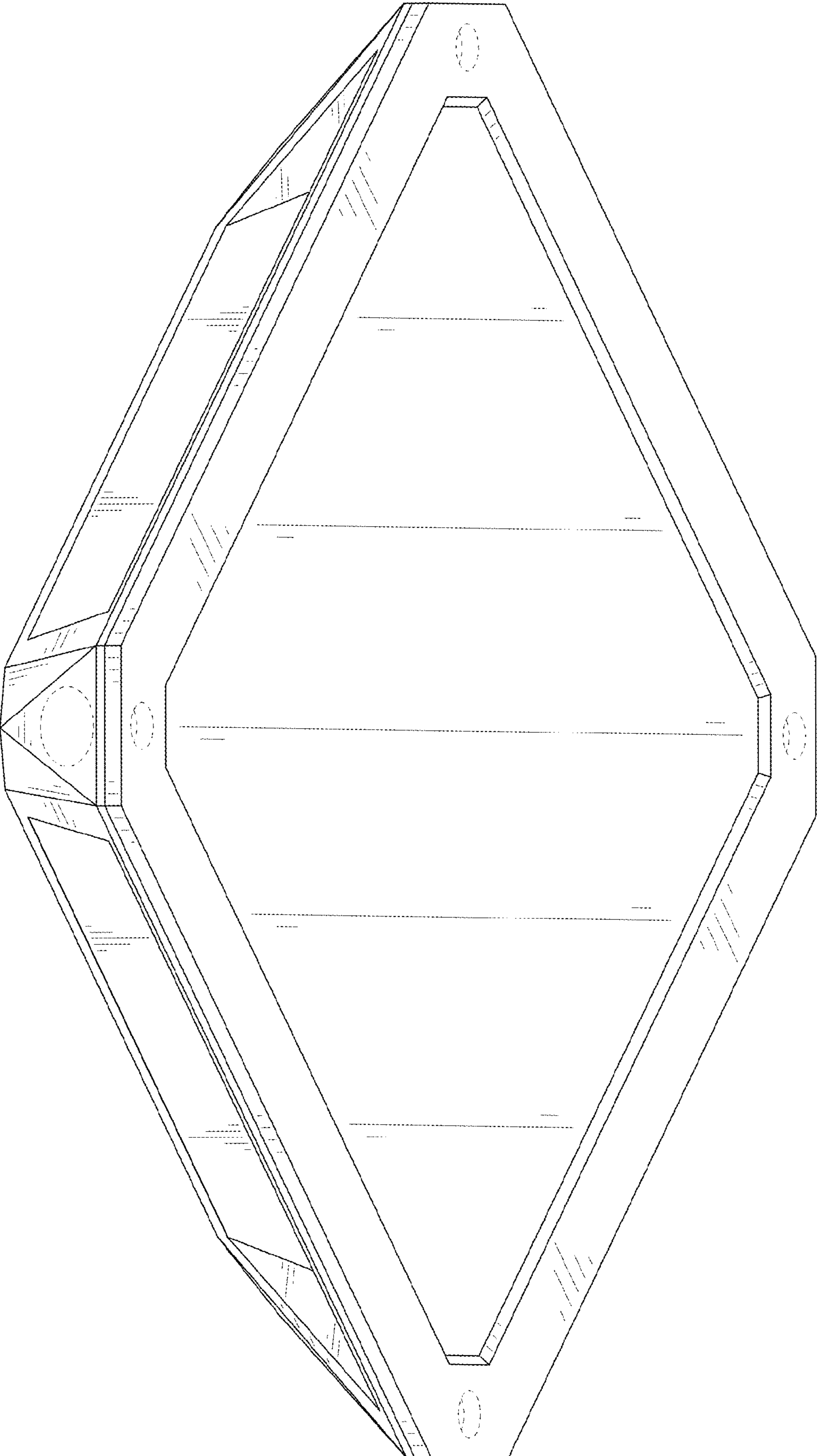


FIG. 1

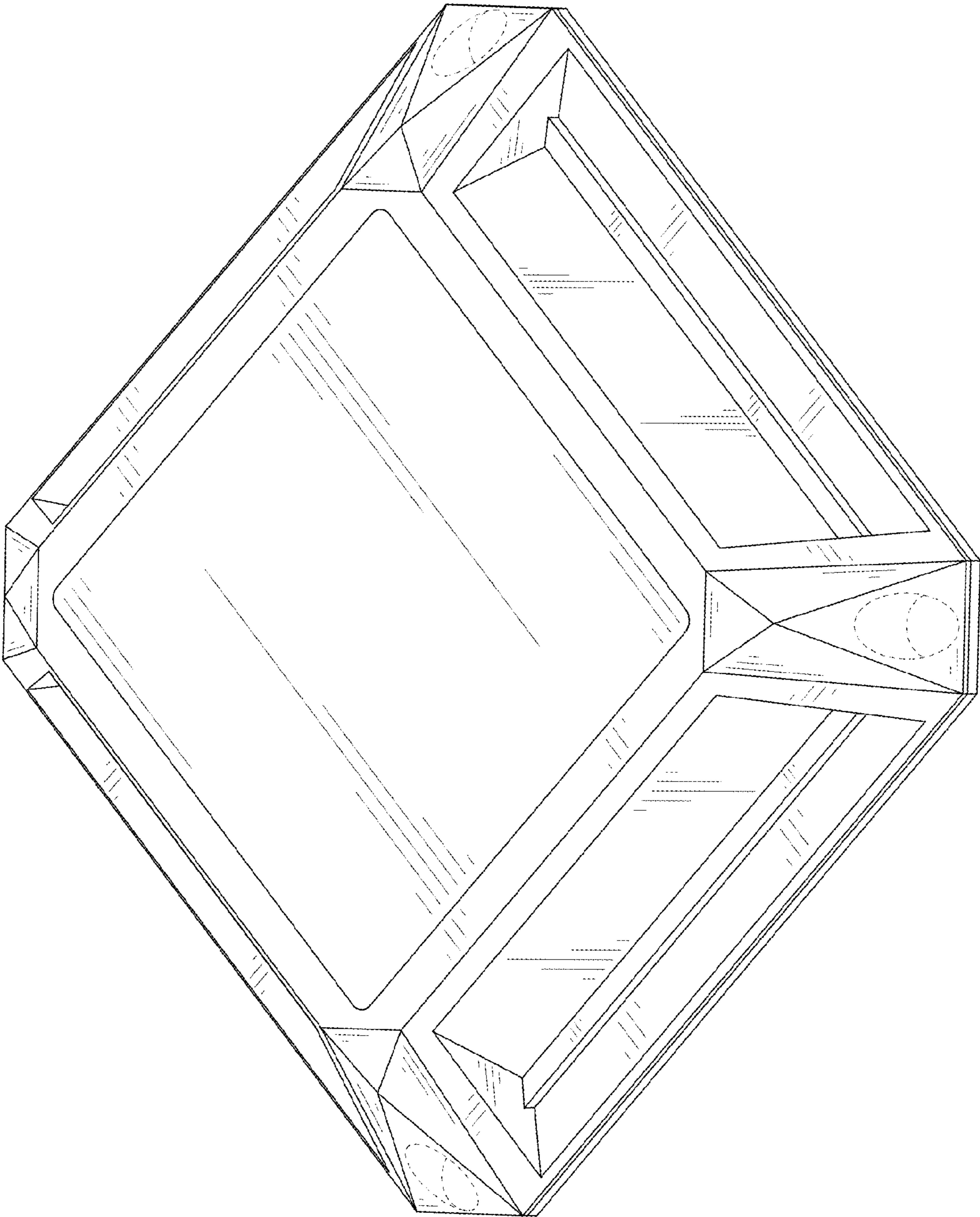


FIG. 2



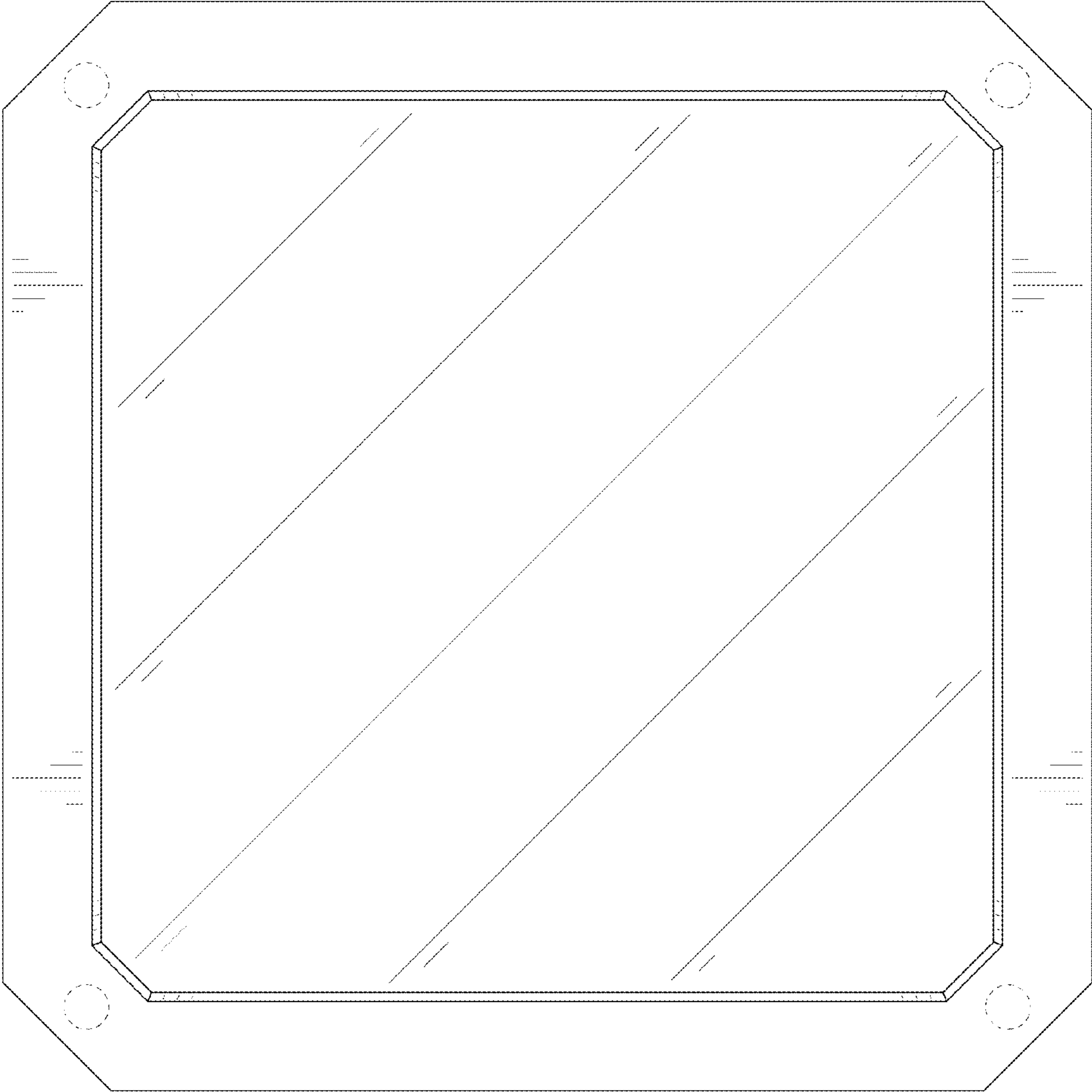


FIG. 3

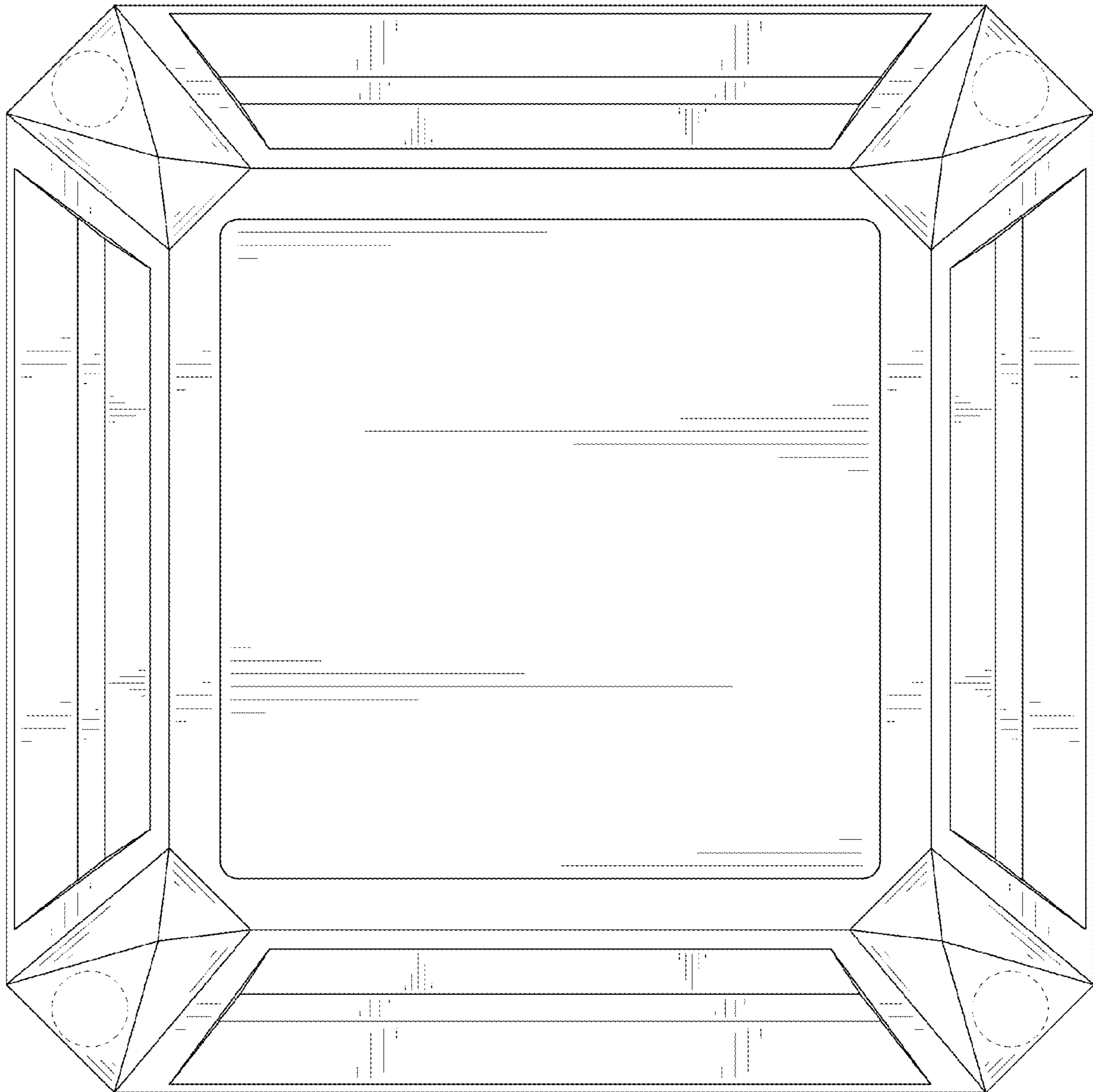


FIG. 4

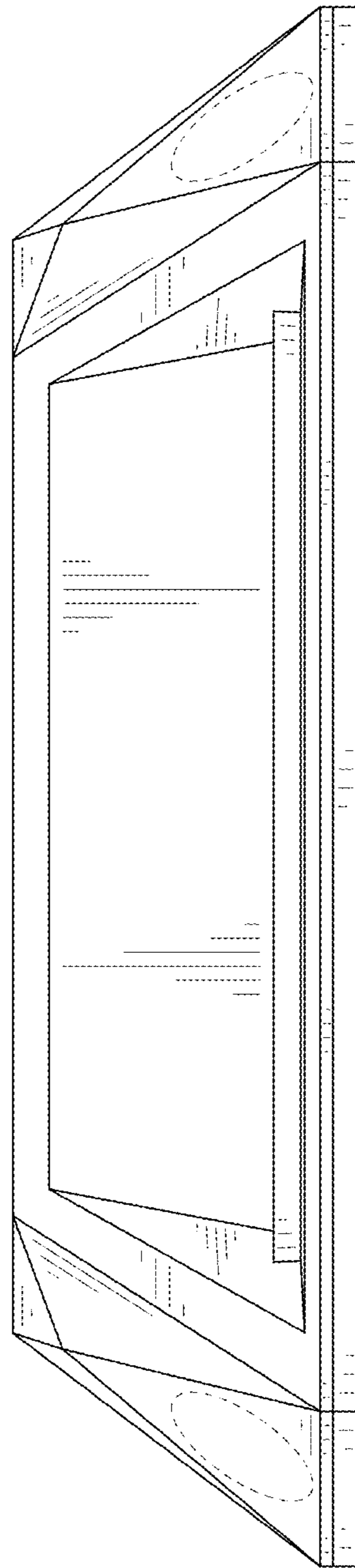


FIG. 5

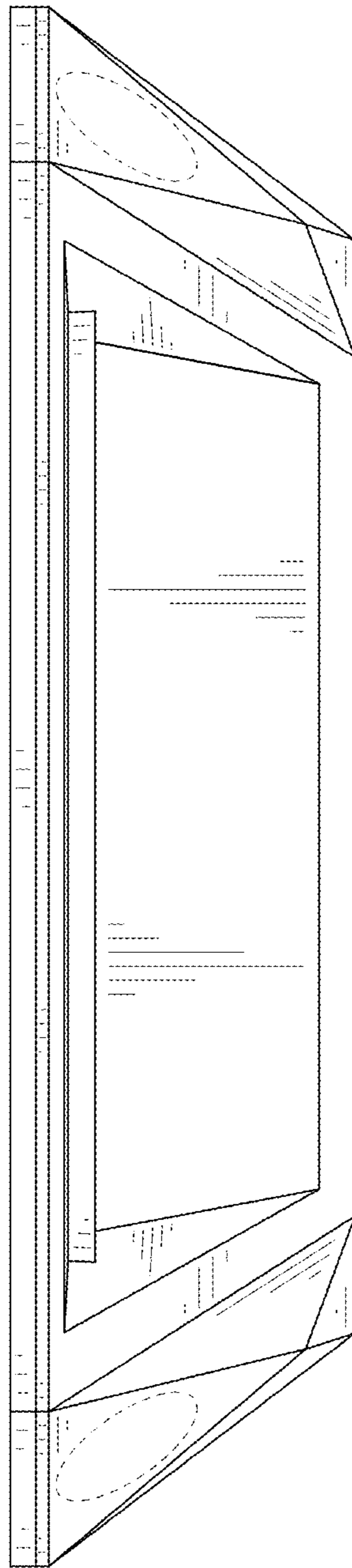


FIG. 6

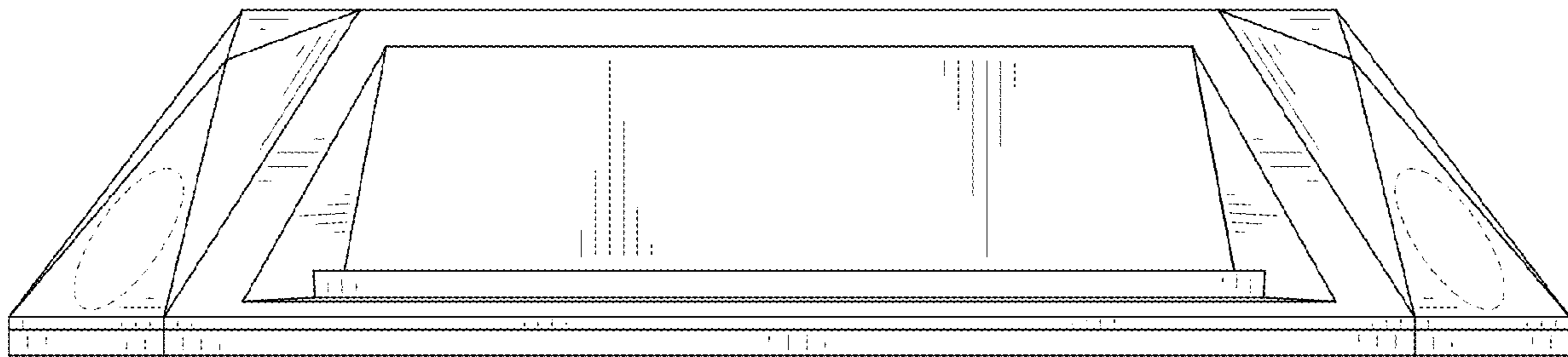


FIG. 7



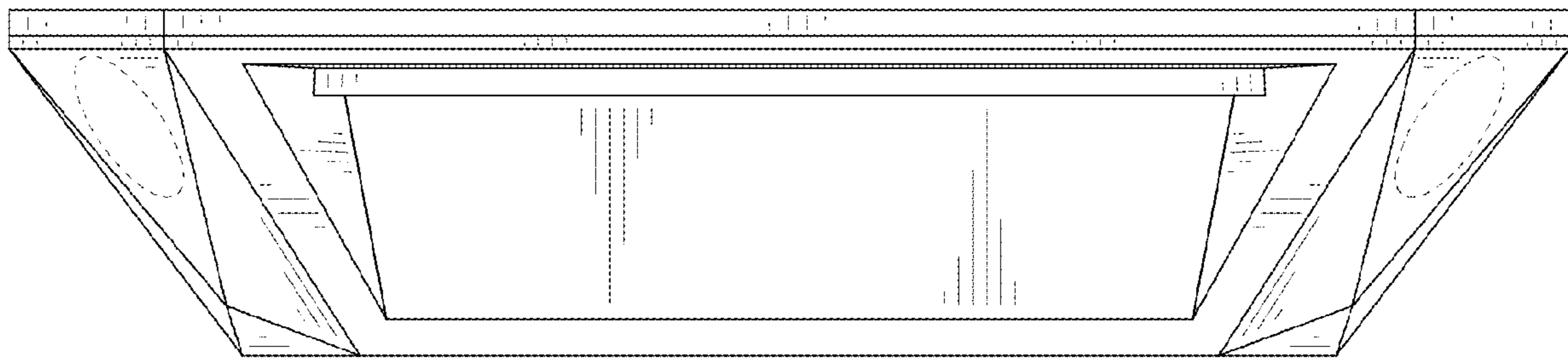


FIG. 8