



US00D942661S

(12) **United States Design Patent** (10) **Patent No.:** **US D942,661 S**
Li (45) **Date of Patent:** **** Feb. 1, 2022**

(54) **LAMP ASSEMBLY FOR HAT**
(71) Applicant: **SHENZHEN TWO THOUSAND AND SIXTEEN TECHNOLOGY CO., LTD.**, Shenzhen (CN)
(72) Inventor: **Ling Li**, Shenzhen (CN)
(**) Term: **15 Years**
(21) Appl. No.: **29/756,346**
(22) Filed: **Oct. 27, 2020**
(51) **LOC (13) Cl.** **26-05**
(52) **U.S. Cl.**
USPC **D26/51; D2/891**
(58) **Field of Classification Search**
USPC D26/1, 225, 94, 51, 68, 93, 60, 37, 113, D26/26, 25; D2/865-895
CPC F21S 6/00; F21S 6/002; F21S 6/004; F21S 4/00; F21S 4/15; F21S 2/00; F21S 8/033; F21S 8/036; F21S 8/085; F21S 8/081; F21S 8/083; F21S 8/088; F21L 2003/00; F21L 4/00; F21L 4/005; F21L 4/02; F21L 4/025; F21V 21/08; F21V 33/00; F21V 14/02; F21V 14/025; A42B 1/04; A42B 1/046
See application file for complete search history.

D750,823 S * 3/2016 Sharrah D26/39
D760,481 S 7/2016 Waters
9,404,641 B2 * 8/2016 Belliveau F21S 10/026
D770,143 S 11/2016 Waters
D830,601 S * 10/2018 Petzl D26/39
D861,211 S * 9/2019 Windom D26/39
D887,602 S * 6/2020 Kunzendorf D26/39
D901,736 S * 11/2020 Kunzendorf D26/39
10,995,940 B2 * 5/2021 Kaye F21V 14/04
2005/0174753 A1 * 8/2005 Cao F21V 29/74
362/106
2009/0193566 A1 * 8/2009 Waters A42B 1/244
2/209.13

* cited by examiner

Primary Examiner — Mark A Goodwin
Assistant Examiner — Benjamin M Weeks

(57) **CLAIM**

The ornamental design for a lamp assembly for hat, as shown and described.

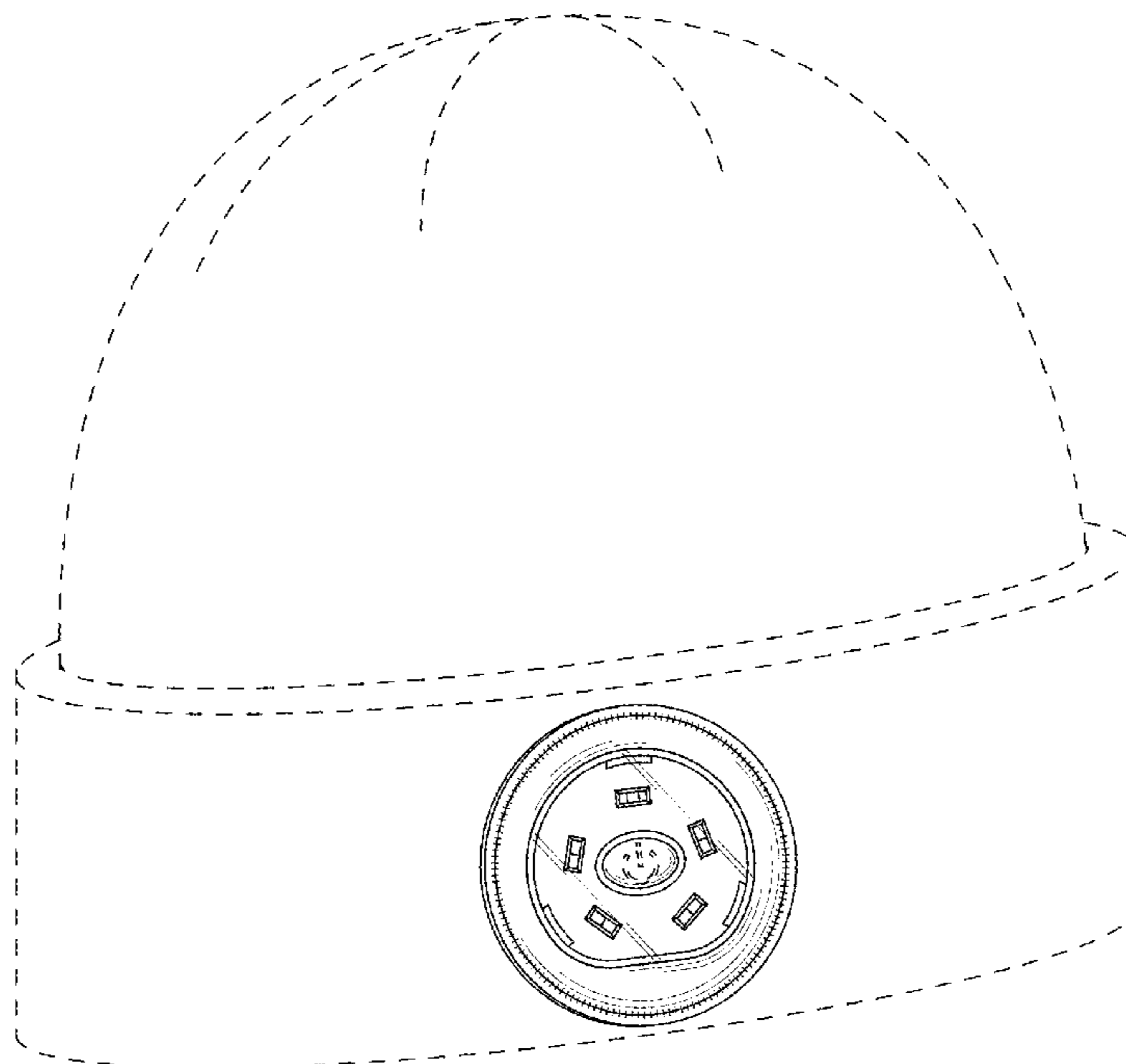
DESCRIPTION

FIG. 1 is a perspective view of a lamp assembly for hat showing my new design;
FIG. 2 is a front view thereof;
FIG. 3 is a rear view thereof;
FIG. 4 is a left side view thereof;
FIG. 5 is a right side view thereof;
FIG. 6 is a top plan view thereof;
FIG. 7 is a bottom plan view thereof; and,
FIG. 8 is a front view of the lamp assembly for hat shown in a disassembled position.

The broken lines showing the lamp assembly for hat are for the purposes of illustrating environment and forms no part of the claimed design.

1 Claim, 6 Drawing Sheets

(56) **References Cited**
U.S. PATENT DOCUMENTS
D575,888 S * 8/2008 Shiu D26/39
7,618,150 B2 * 11/2009 Chien F21V 21/08
362/35
7,891,841 B2 * 2/2011 Levine F21S 9/03
362/249.07
D692,605 S * 10/2013 Madonia D26/51



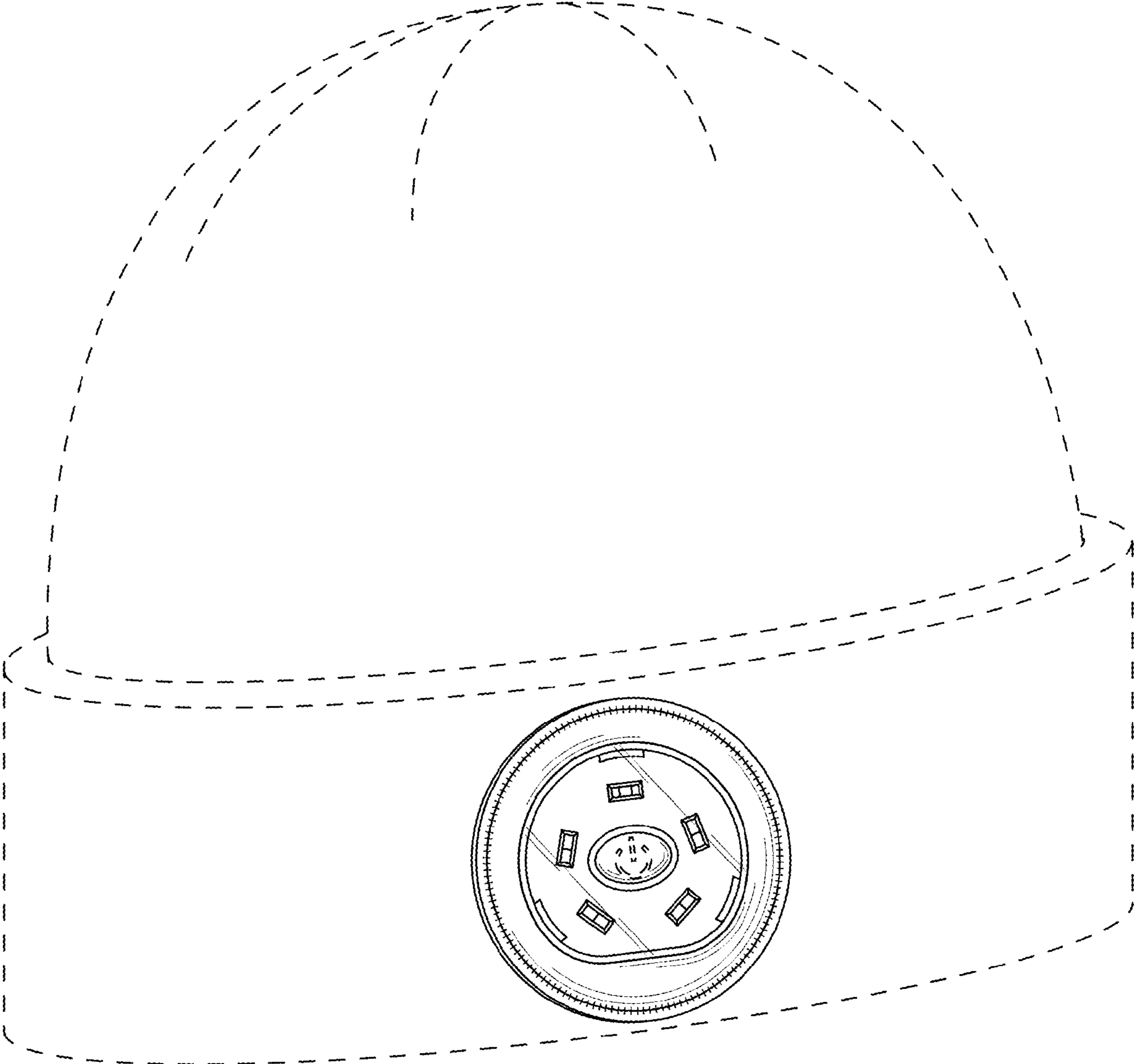


FIG. 1

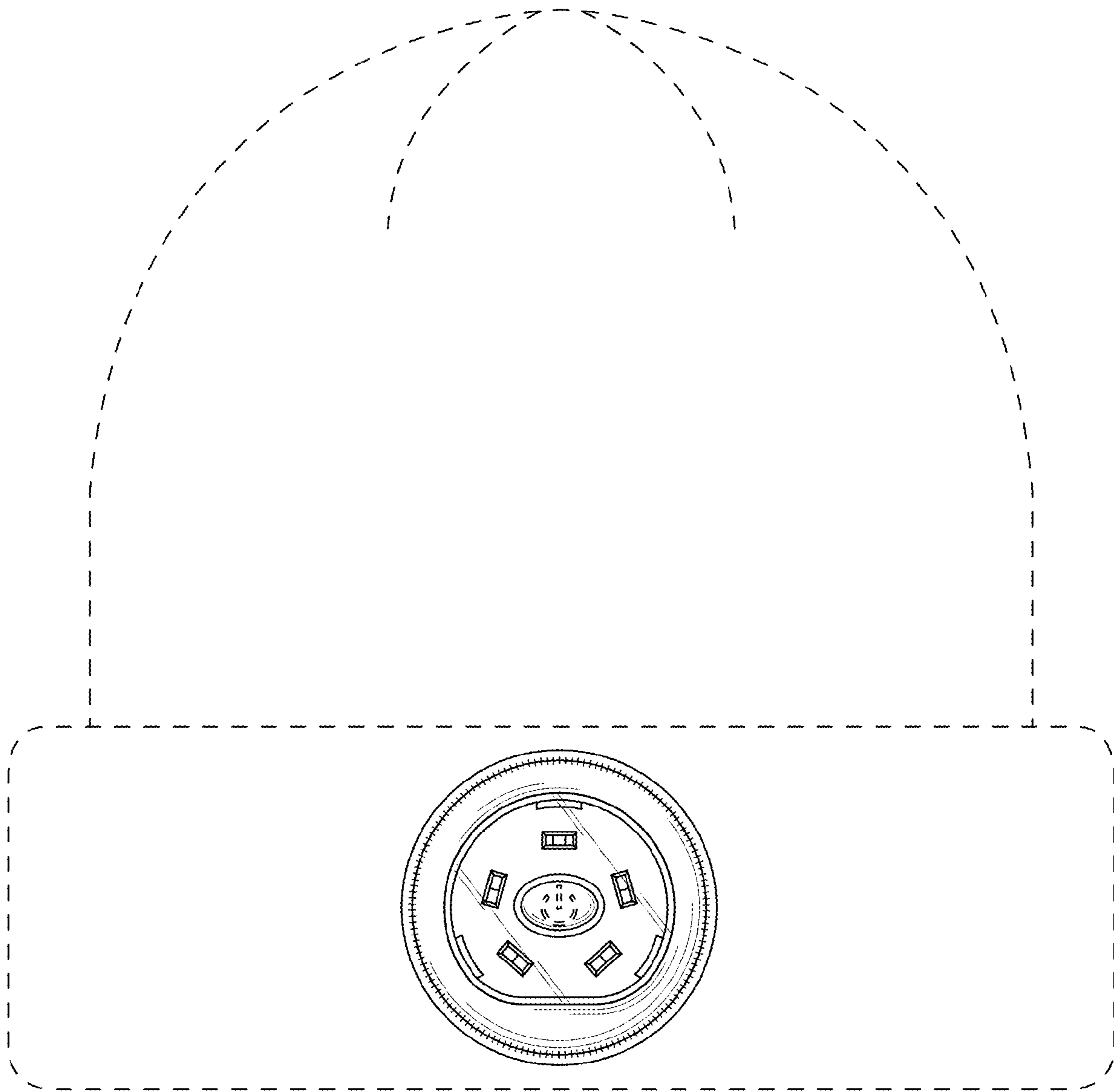


FIG. 2

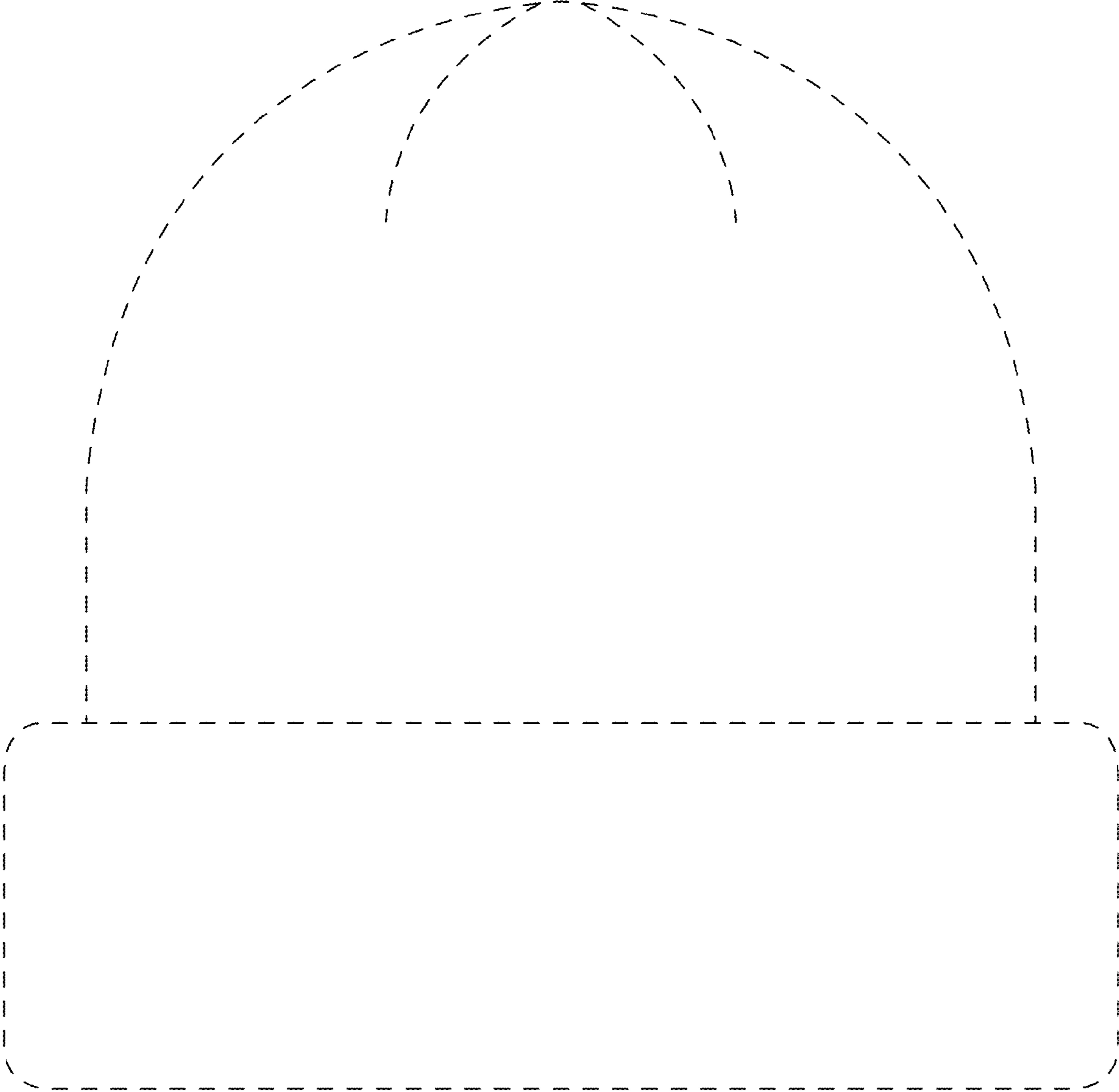


FIG. 3

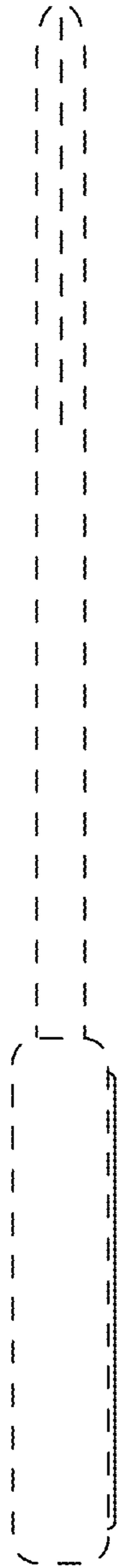


FIG. 4



FIG. 5

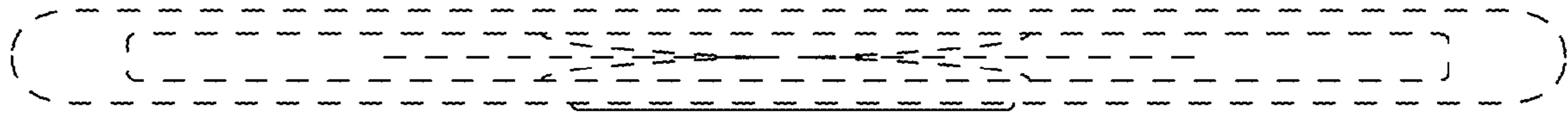


FIG. 6

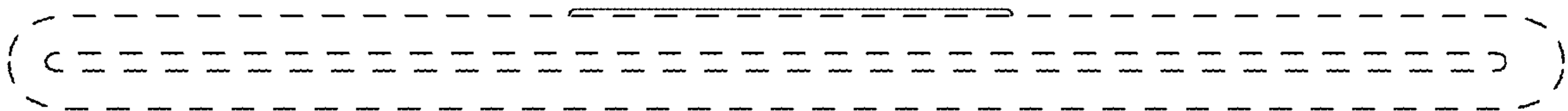


FIG. 7

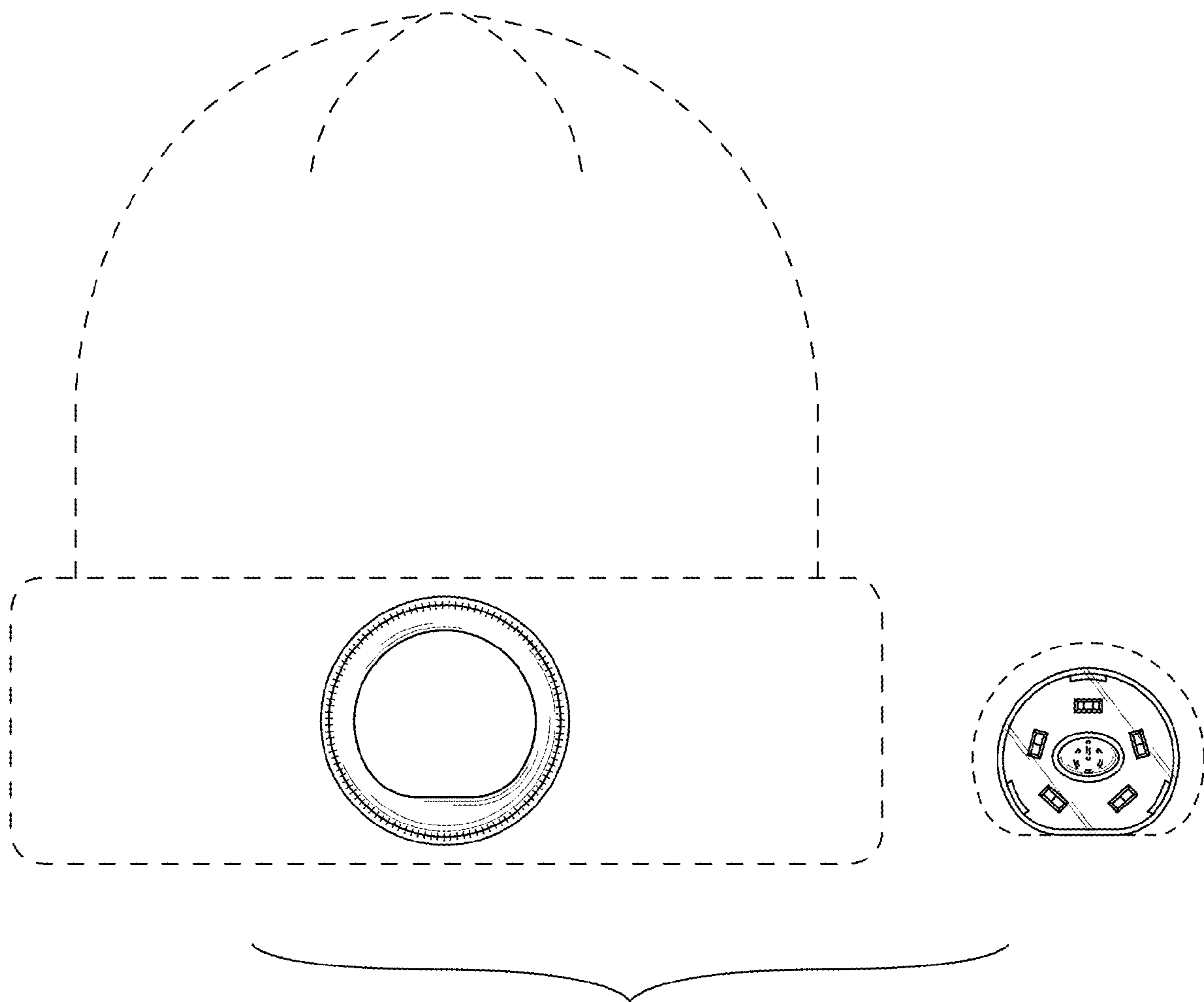


FIG. 8