



US00D942659S

(12) **United States Design Patent** (10) **Patent No.:** **US D942,659 S**  
**Sun** (45) **Date of Patent:** **\*\* Feb. 1, 2022**

(54) **WORKING LIGHT**

FOREIGN PATENT DOCUMENTS

(71) Applicant: **Luhui Sun**, Zhejiang (CN)

CN 304048255 \* 2/2017  
CN 304764167 \* 8/2018  
GB 4031380 \* 9/2013

(72) Inventor: **Luhui Sun**, Zhejiang (CN)

(\*\*) Term: **15 Years**

OTHER PUBLICATIONS

(21) Appl. No.: **29/698,257**

“Melissa & Doug Sunny Patch Giddy Buggy Flashlight,” Feb. 28, 2017, amazon.com, site visited Aug. 13, 2021, URL: [https://www.amazon.com/Melissa-Doug-Flashlight-Easy-Grip-Handle/dp/B01AD1TDNU/ref=sr\\_1\\_53?dchild=1&keywords=chunky+flashlight&qid=1628883390&sr=8-53](https://www.amazon.com/Melissa-Doug-Flashlight-Easy-Grip-Handle/dp/B01AD1TDNU/ref=sr_1_53?dchild=1&keywords=chunky+flashlight&qid=1628883390&sr=8-53) (Year: 2017).\*

(22) Filed: **Jul. 16, 2019**

(51) **LOC (13) Cl.** ..... **26-02**

(52) **U.S. Cl.**

USPC ..... **D26/37**; D26/44

(58) **Field of Classification Search**

USPC ..... D26/37-44, 46-52

CPC ..... F21L 2001/00; F21L 4/04; F21L 14/02;

F21L 14/23; F21V 21/06; F21V 21/32;

F21V 21/145; F21V 21/30; F21V 21/40

See application file for complete search history.

*Primary Examiner* — Eric L Goodman  
*Assistant Examiner* — Sarah L Smith

(57) **CLAIM**

The ornamental design for a working light, as shown and described.

**DESCRIPTION**

FIG. 1 is a front, left side and top perspective view of a working light showing my new design;

FIG. 2 is a rear, left side and top perspective view thereof;

FIG. 3 is a front elevation view thereof;

FIG. 4 is a rear elevation view thereof;

FIG. 5 is a left side elevation view thereof;

FIG. 6 is a right side elevation view thereof;

FIG. 7 is a top plan view thereof;

FIG. 8 is a bottom plan view thereof;

FIG. 9 is another perspective view thereof, showing a open state; and,

FIG. 10 is an enlarged view of the working light taken from the circled portion in FIG. 1.

The broken lines showing of the enlargement indicia in FIGS. 1 and 10 is shown for the purpose of illustrating the bounds of the enlargement and forms no part of the claimed design.

The broken lines shown illustrate portions of the working light in FIGS. 3, 4, and 6 that form no part of the claimed design.

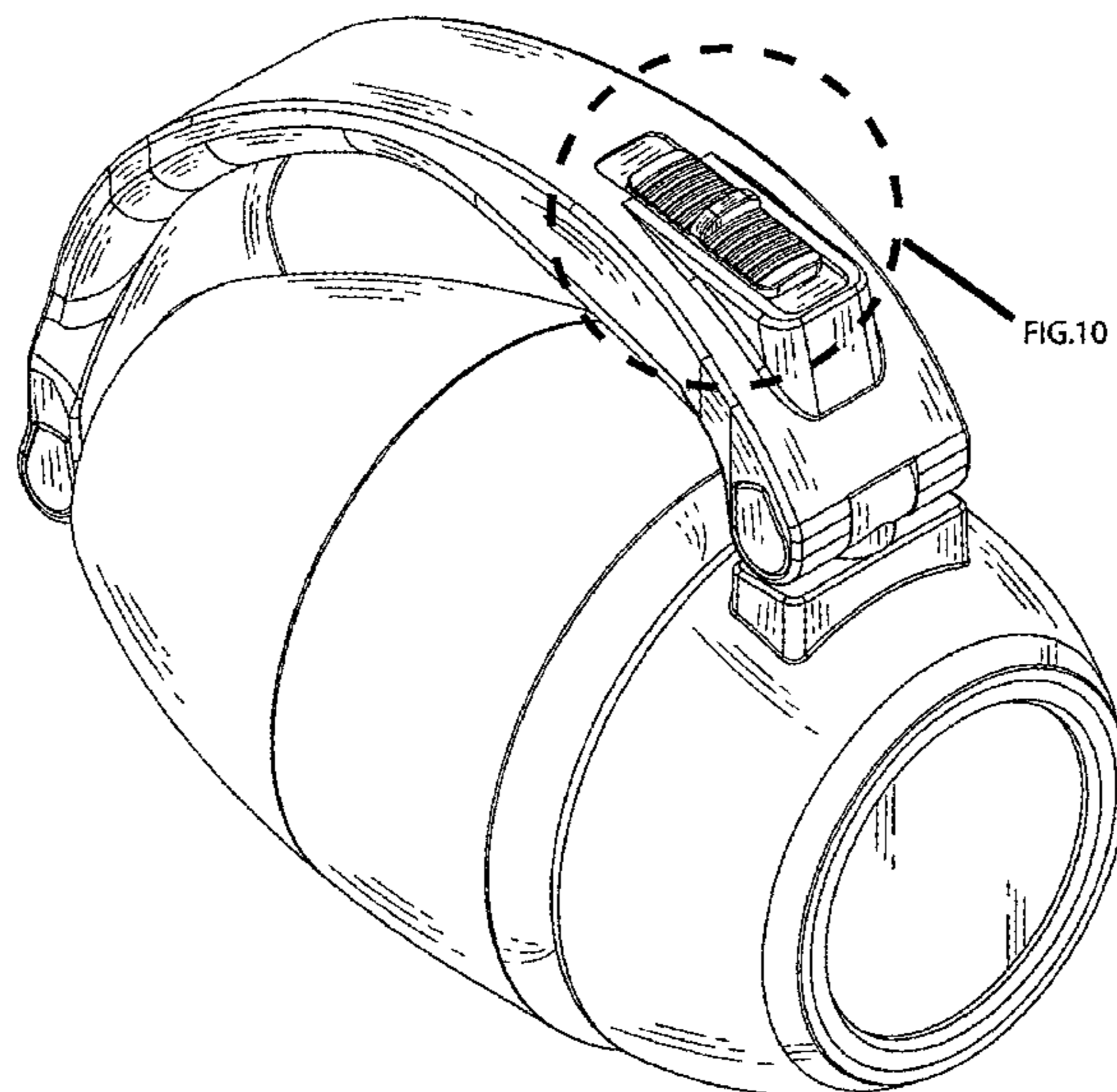
(56) **References Cited**

U.S. PATENT DOCUMENTS

D268,175 S *	3/1983	Kong	.....	D10/109.2
D337,644 S *	7/1993	Stearns	.....	D26/48
D368,783 S *	4/1996	Peersmann	.....	D14/168
D387,349 S *	12/1997	Yuen	.....	D14/168
D394,123 S *	5/1998	Yuen	.....	D26/44
D398,065 S *	9/1998	Otto	.....	D26/28
D436,197 S *	1/2001	Hutchinson	.....	D26/37
6,364,504 B1 *	4/2002	Hon	.....	F21L 4/00
				362/208
D462,472 S *	9/2002	Parker	.....	D26/45
D462,473 S *	9/2002	Wright	.....	D26/49
D464,454 S *	10/2002	Suzuki	.....	D26/40
D479,620 S *	9/2003	Leung	.....	D26/37
D504,411 S *	4/2005	Lam	.....	D14/168
D508,749 S *	8/2005	Osiecki	.....	D26/46
D510,402 S *	10/2005	Owens	.....	D22/108
D518,209 S *	3/2006	Nagano	.....	D26/39

(Continued)

**1 Claim, 10 Drawing Sheets**



(56)

**References Cited**

U.S. PATENT DOCUMENTS

D518,210	S *	3/2006	Nagano .....	D26/39
D523,162	S *	6/2006	Parker .....	D26/45
D537,965	S *	3/2007	Lee .....	D26/37
D560,005	S *	1/2008	Matthew .....	D26/37
D588,733	S *	3/2009	O'Hern .....	D26/42
D608,921	S *	1/2010	DeBrunner .....	D26/41
D611,631	S *	3/2010	Hsu .....	D26/45
D634,462	S *	3/2011	Baker .....	D26/45
D639,474	S *	6/2011	Sun .....	D26/48
D652,162	S *	1/2012	Wu .....	D26/47
D763,831	S *	8/2016	Cherry, II .....	D14/221
D769,497	S *	10/2016	Kovacik .....	D26/50
D902,638	S *	11/2020	Chen .....	D7/354
D903,173	S *	11/2020	Zhu .....	D26/41
2006/0187658	A1 *	8/2006	Evans .....	F21L 4/04
				362/234
2012/0026725	A1 *	2/2012	Johnson .....	F21L 4/00
				362/154
2016/0223145	A1 *	8/2016	Dai .....	F21L 4/08

\* cited by examiner

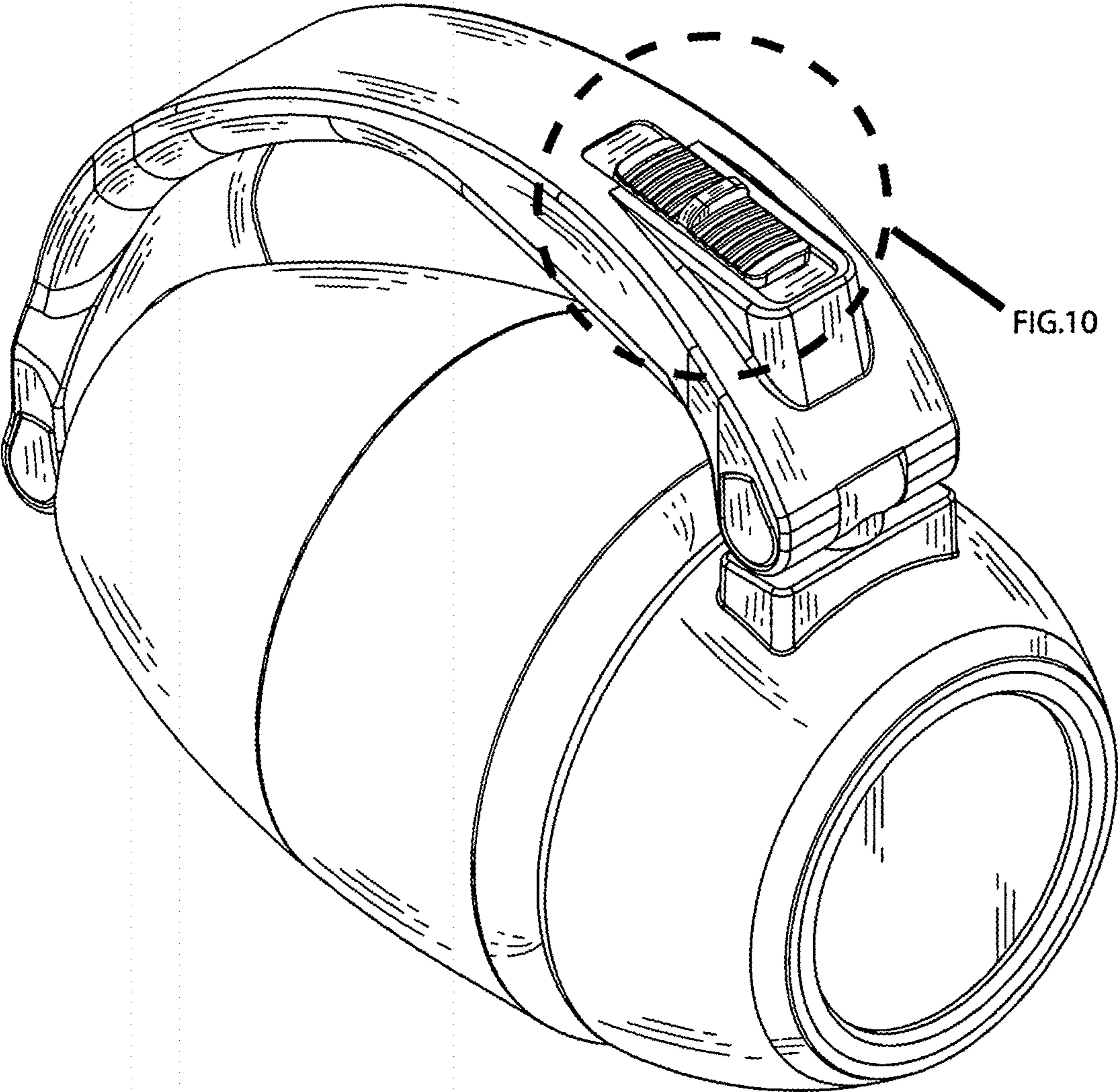


FIG. 1

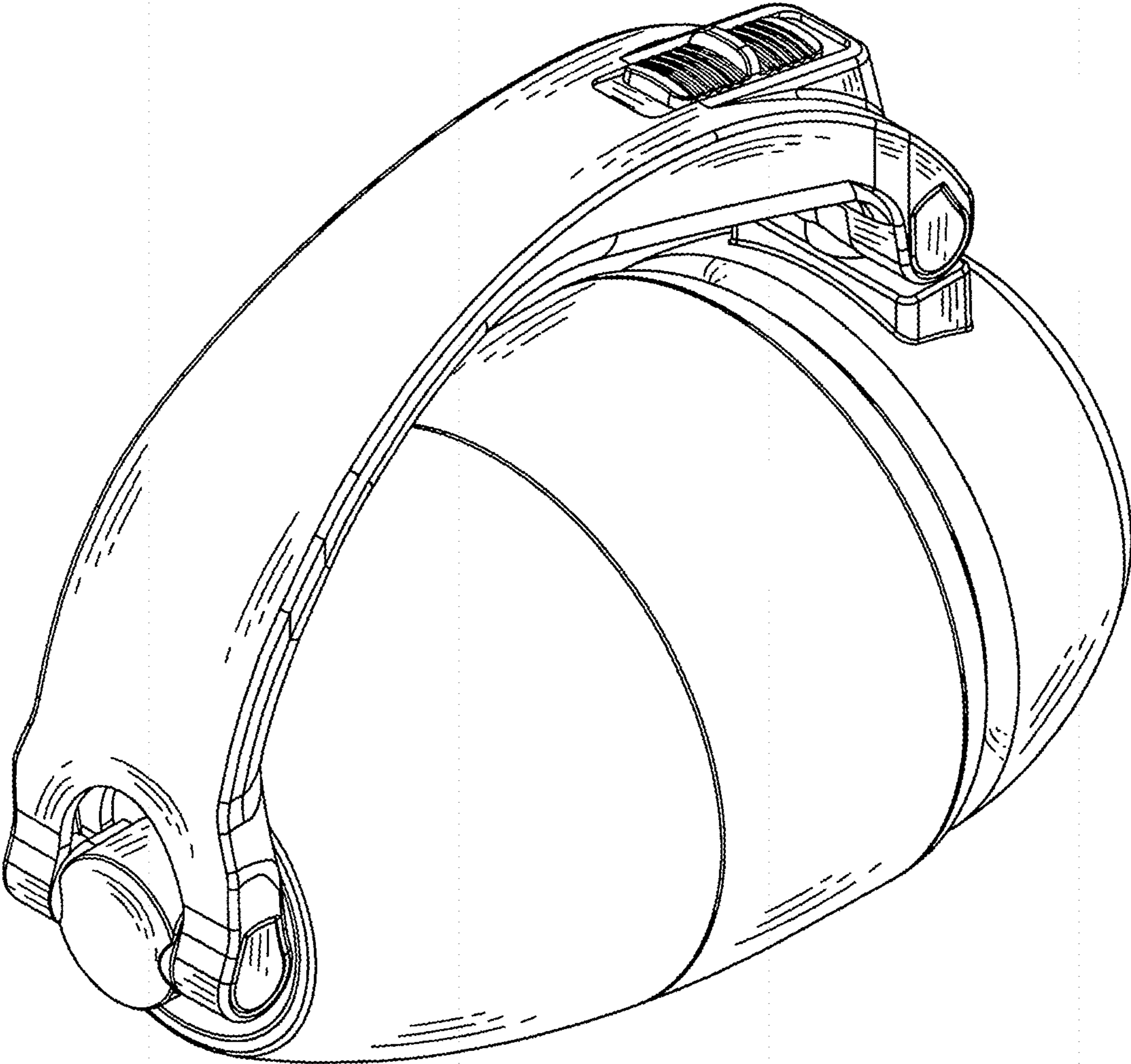


FIG. 2

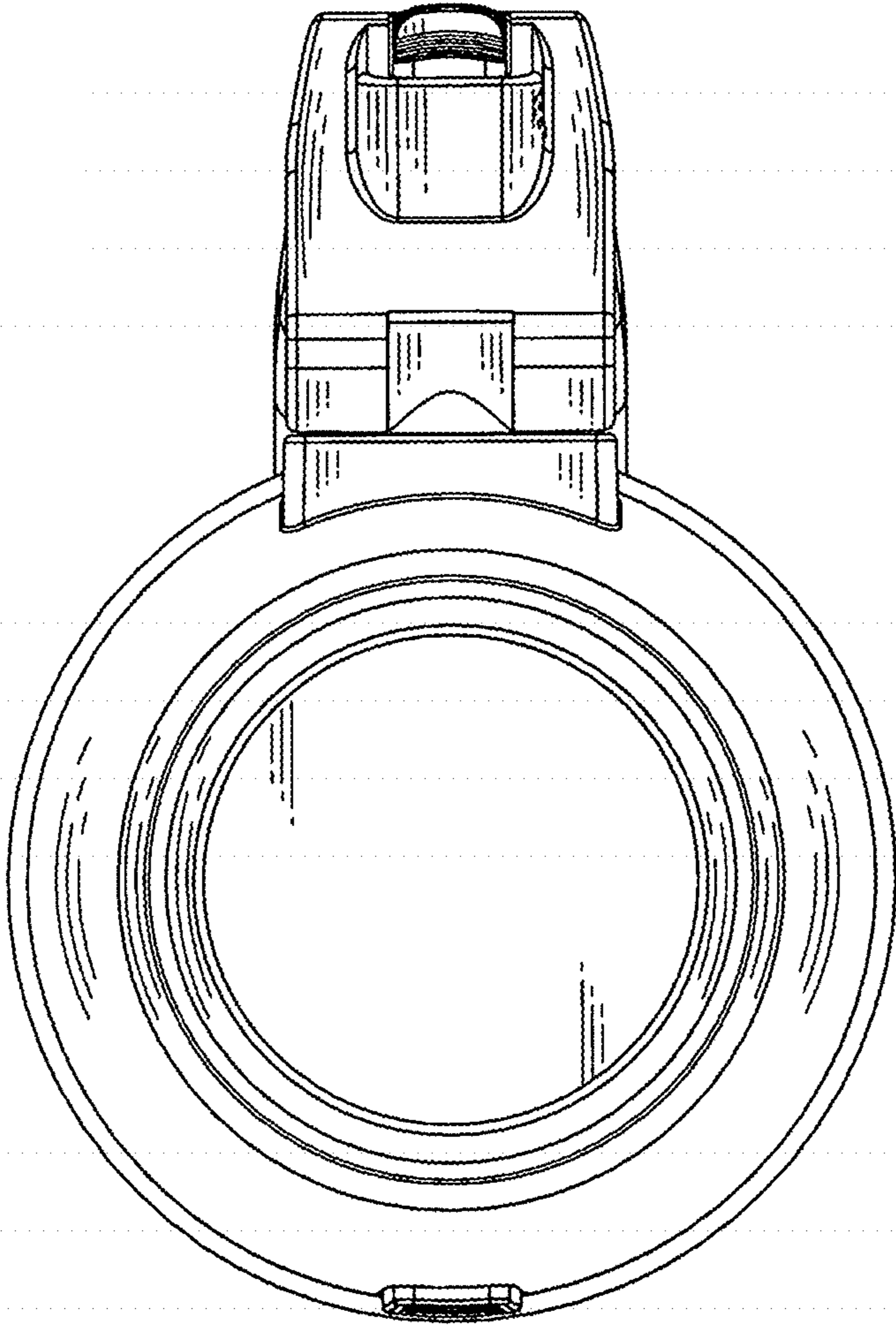


FIG. 3

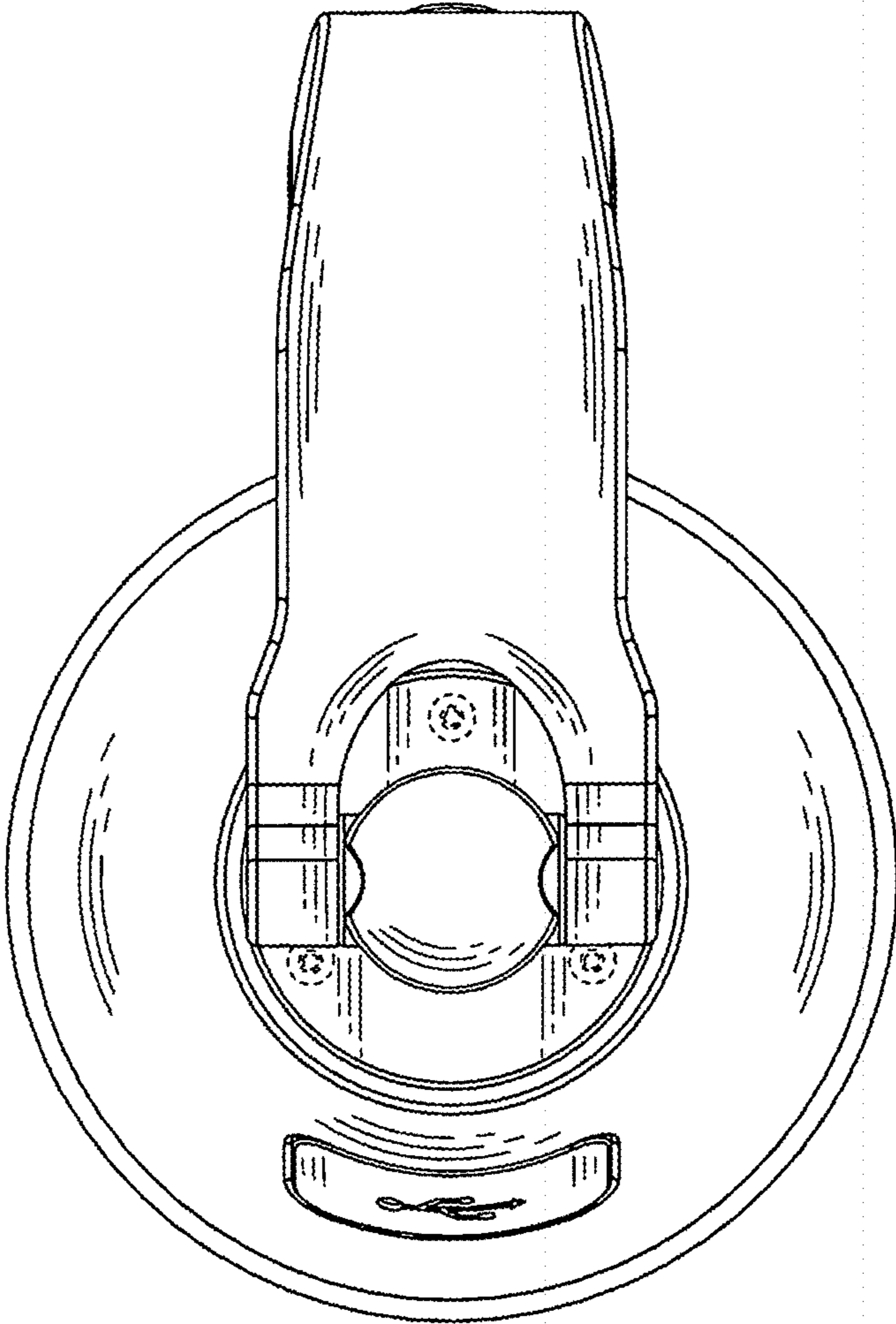


FIG. 4

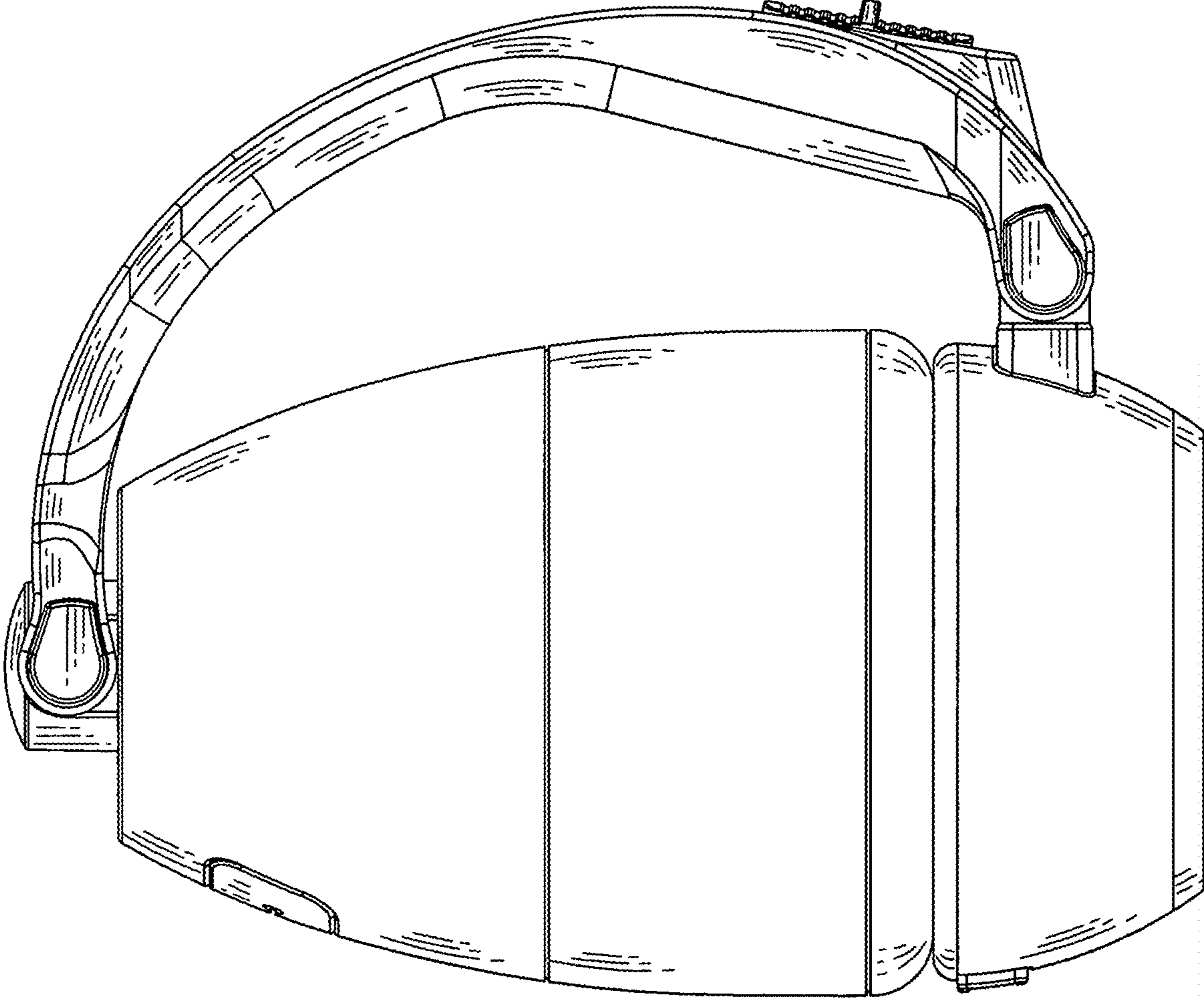


FIG. 5

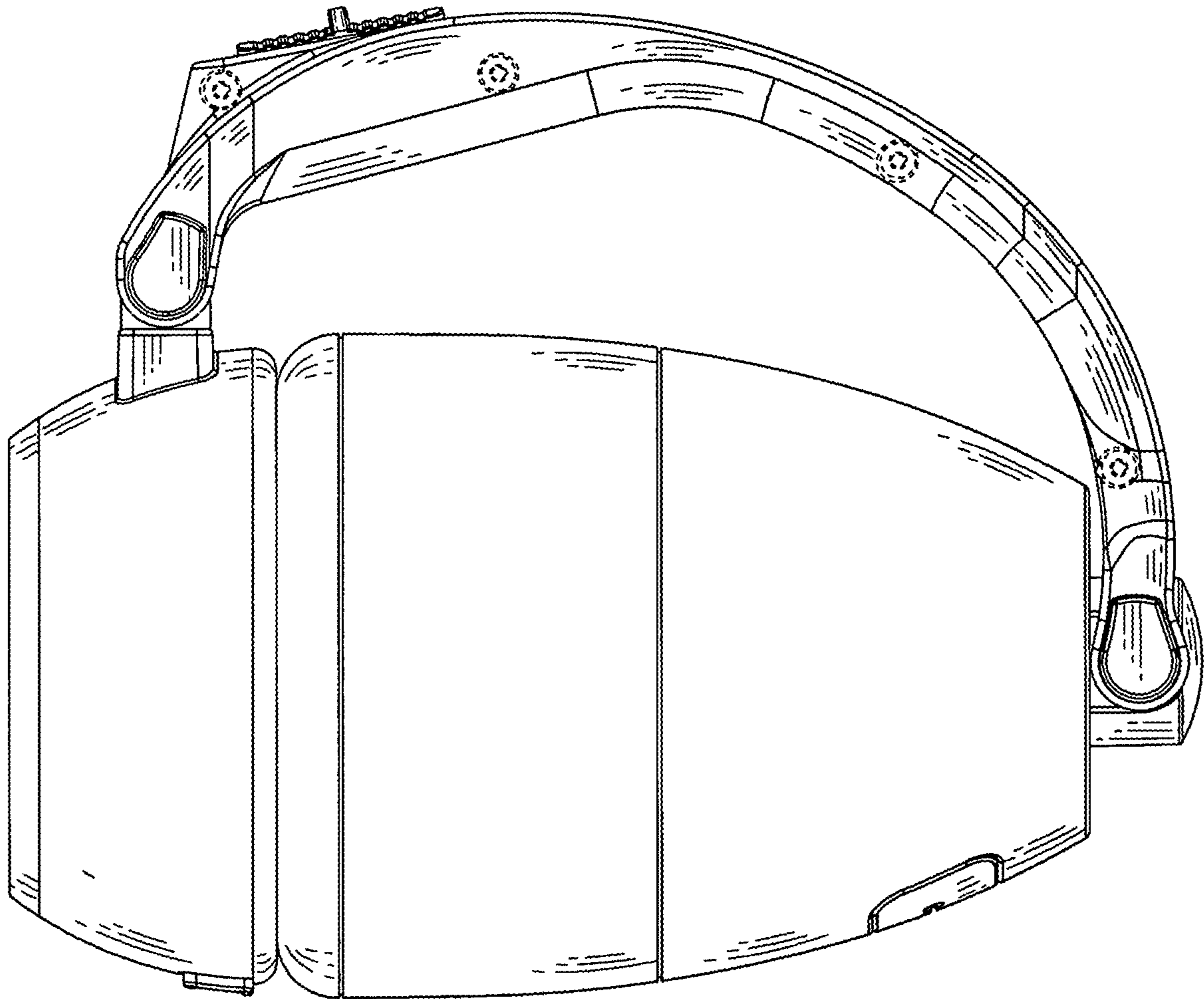


FIG. 6



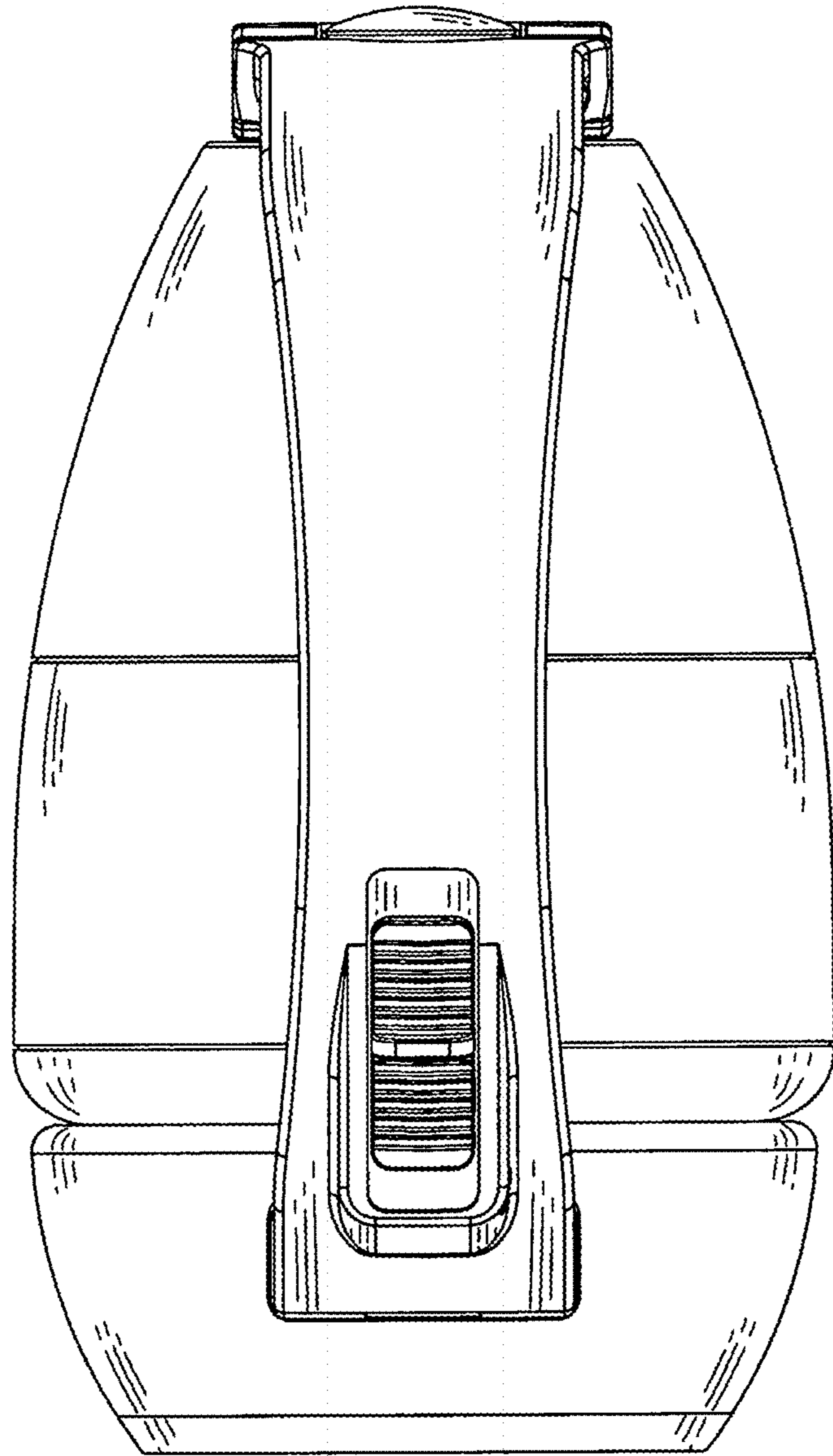


FIG. 7

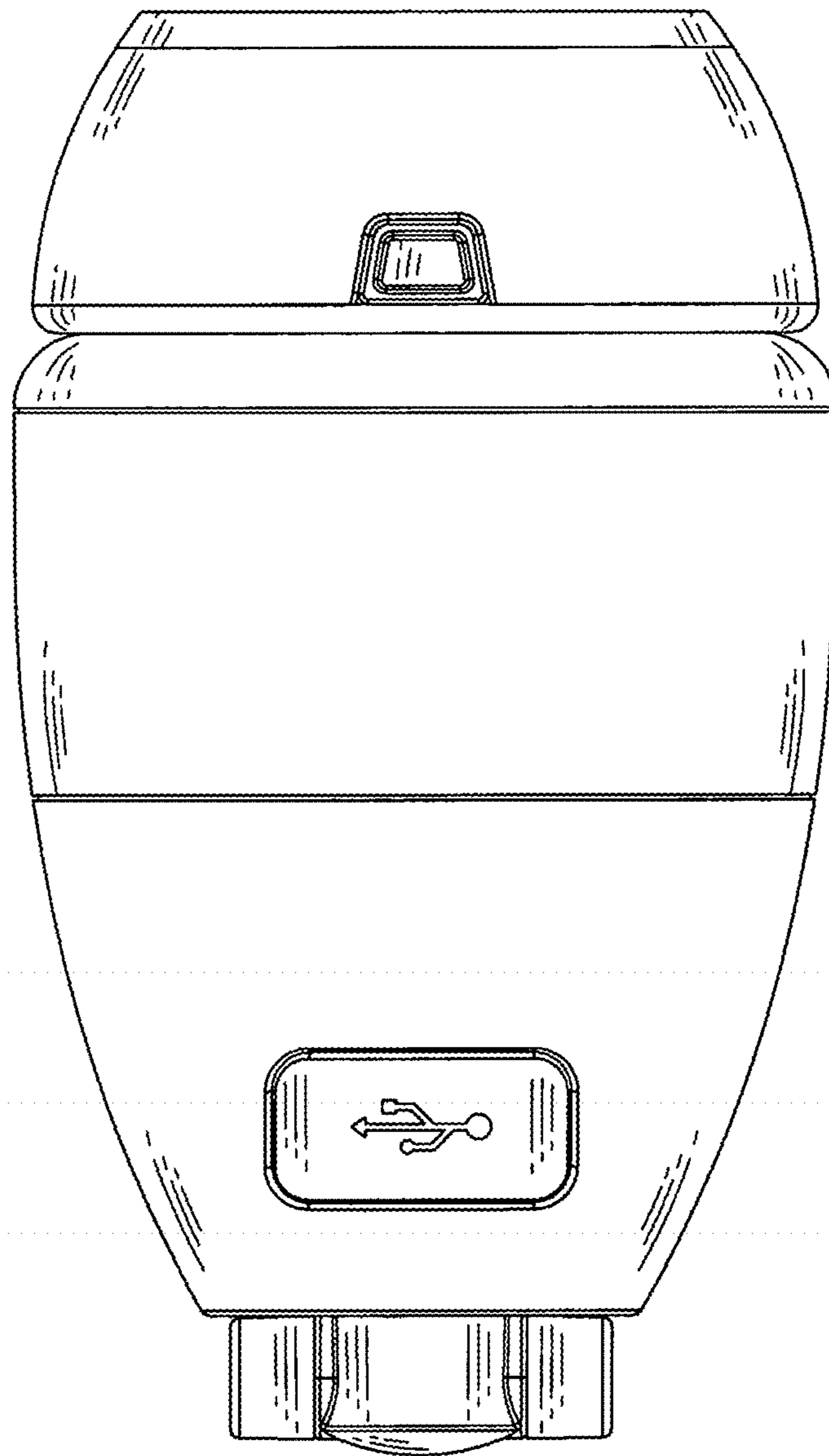


FIG. 8

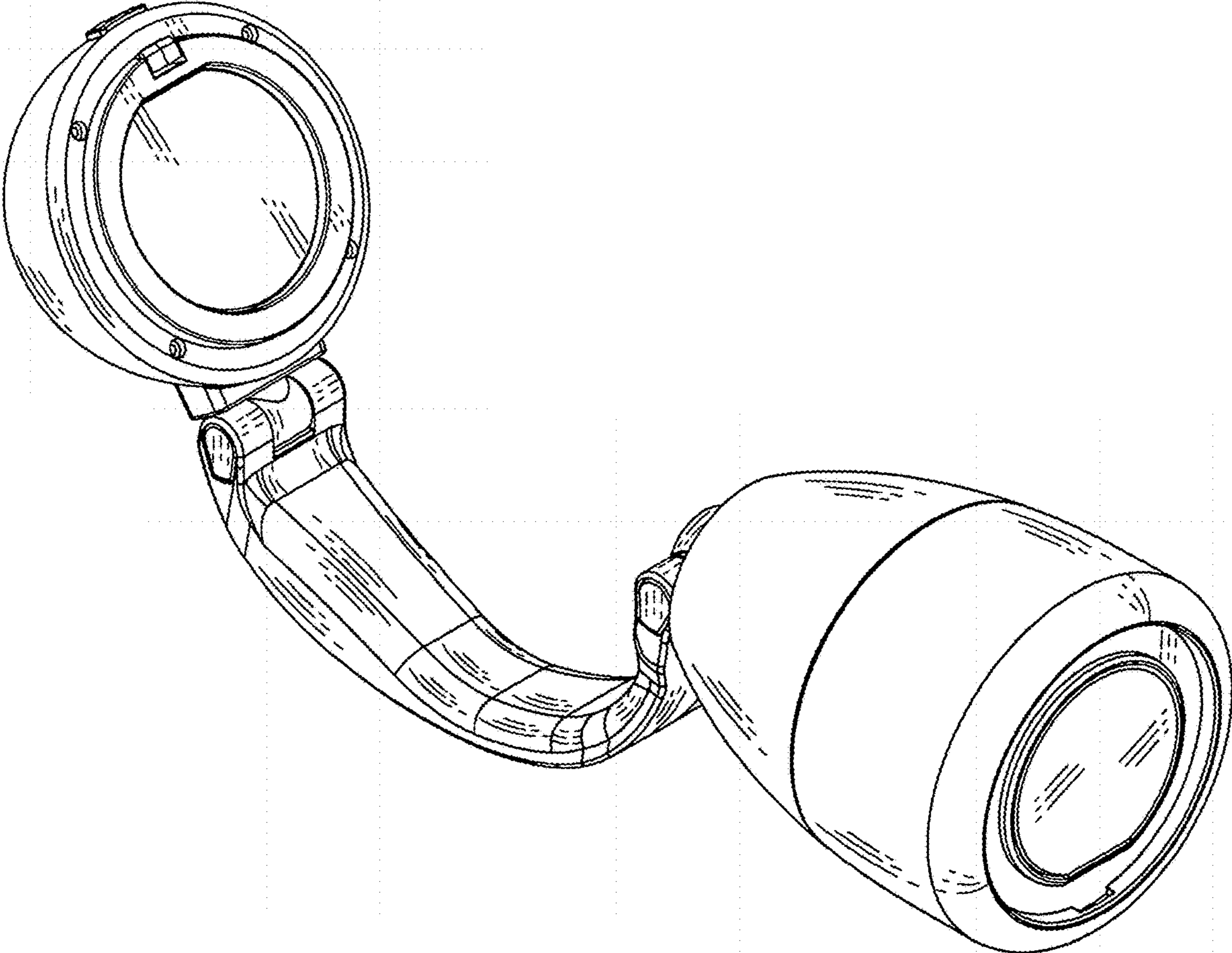


FIG. 9

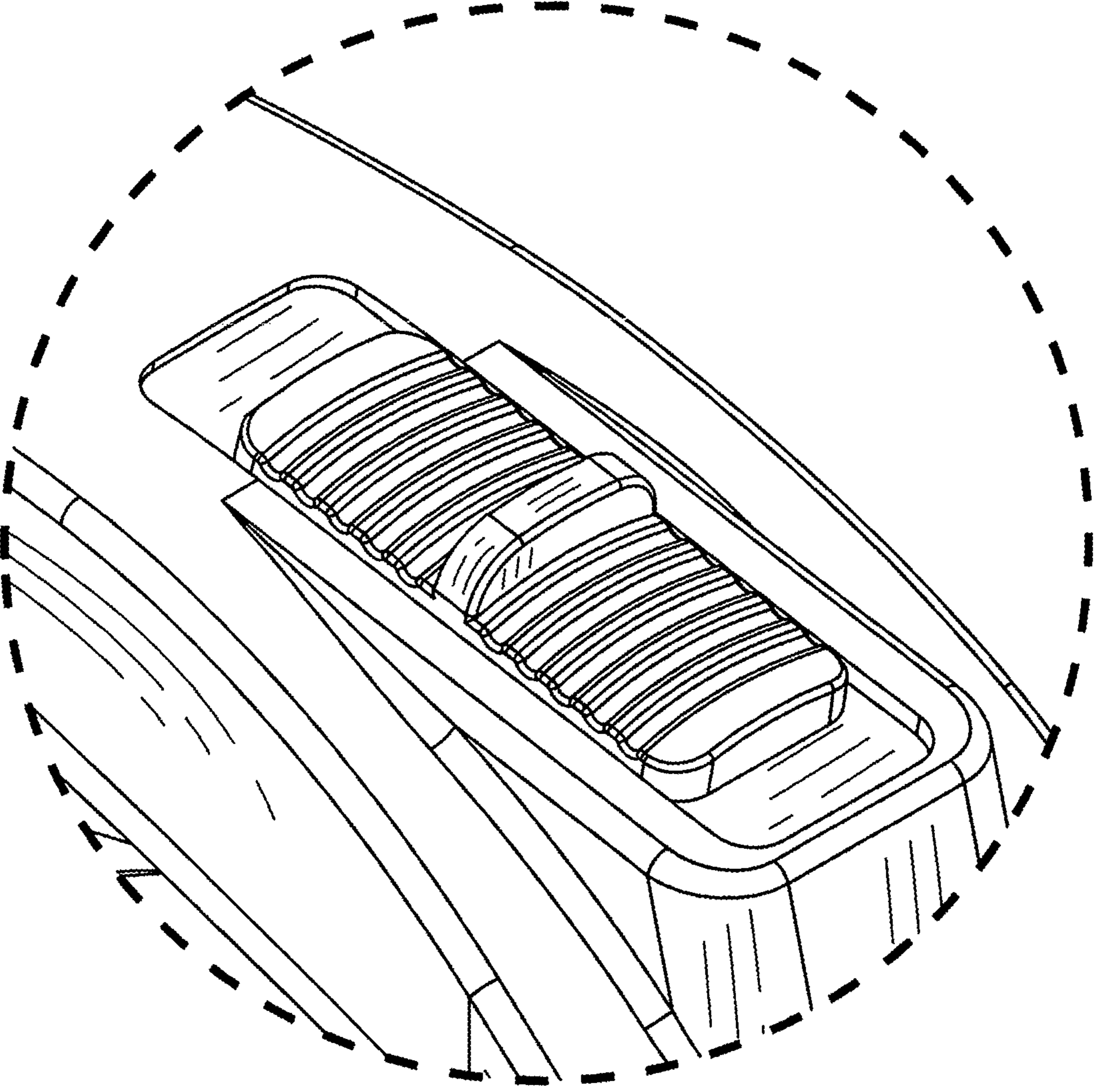


FIG. 10