



US00D942656S

(12) **United States Design Patent** (10) **Patent No.:** **US D942,656 S**  
**Park et al.** (45) **Date of Patent:** **\*\* Feb. 1, 2022**

(54) **VEHICLE HEADLIGHT**

*Primary Examiner* — Cary M Robinson

(71) Applicant: **Ford Global Technologies, LLC,**  
Dearborn, MI (US)

(72) Inventors: **Dong Park,** Canton, MI (US); **Bruce Williams,** Grosse Pointe Park, MI (US); **Damon G. Depeyster,** Northville, MI (US); **Gordon M. Platto,** Troy, MI (US)

(73) Assignee: **Ford Global Technologies, LLC,**  
Dearborn, MI (US)

(\*\*) Term: **15 Years**

(21) Appl. No.: **29/786,617**

(22) Filed: **Jun. 1, 2021**

**Related U.S. Application Data**

(62) Division of application No. 29/650,666, filed on Jun. 8, 2018, now Pat. No. Des. 921,239.

(51) **LOC (13) Cl.** ..... **26-06**

(52) **U.S. Cl.**  
USPC ..... **D26/28**

(58) **Field of Classification Search**  
USPC ..... D12/86, 90–92, 114, 163, 169, 171–173,  
D12/181, 190, 196, 197, 199, 400;  
D26/28–36  
CPC ... B62J 6/02; B62J 6/00; B60Q 3/0279; F21S  
48/00; F21S 48/10; F21S 48/115; F21S  
48/225; F21S 48/1233; F21S 48/1266;  
F21S 48/1388; F21S 48/2268; F21V  
21/04

See application file for complete search history.

(56) **References Cited**

**U.S. PATENT DOCUMENTS**

D476,756 S \* 7/2003 Weber ..... D26/28  
D490,170 S \* 5/2004 Metros ..... D26/28  
D491,298 S \* 6/2004 Hall ..... D26/28

(Continued)

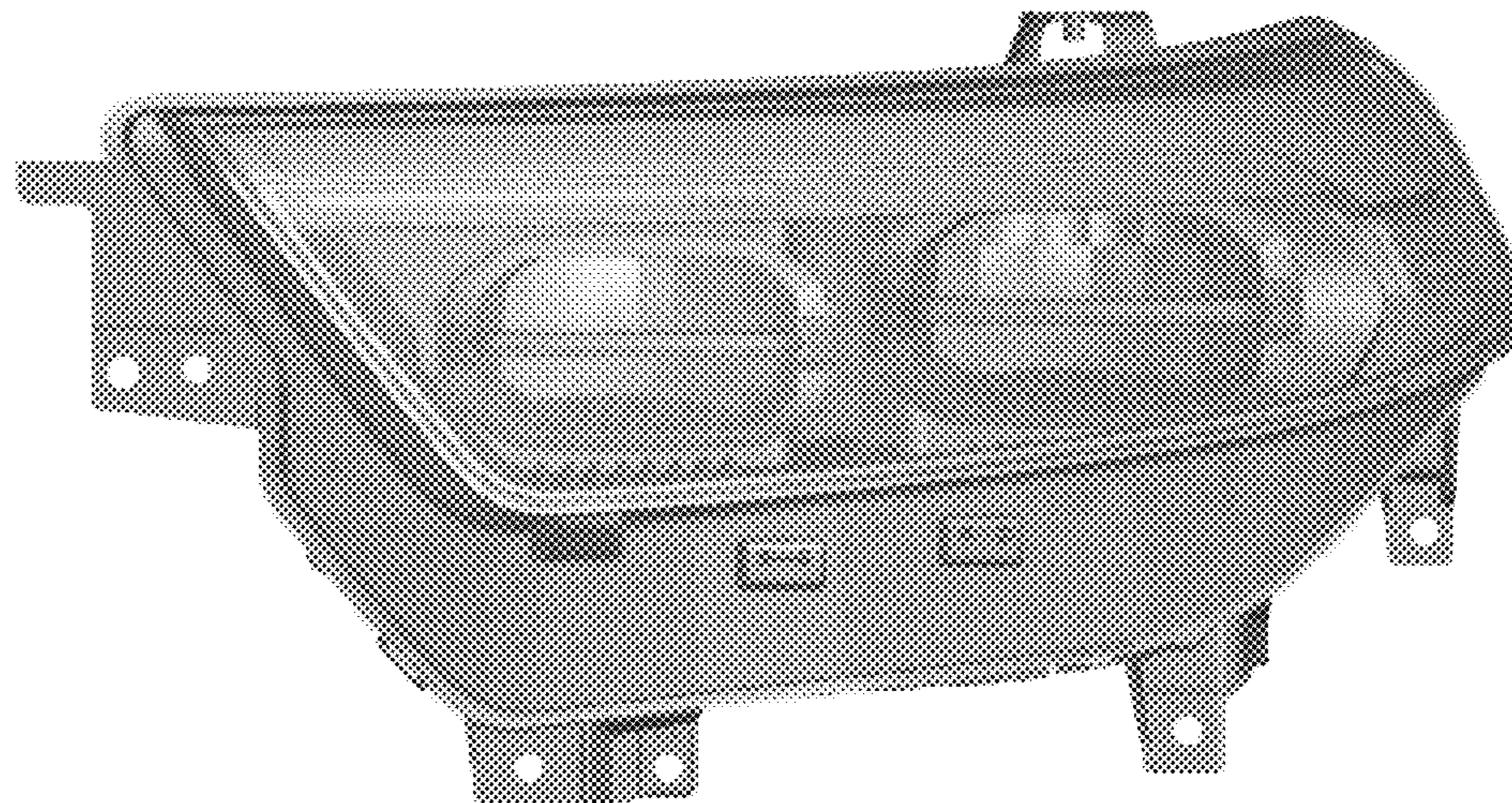
(57) **CLAIM**

The ornamental design for vehicle headlight, as shown and described.

**DESCRIPTION**

FIG. 1 is a front elevational view of a first embodiment of a vehicle headlight, showing our new design; FIG. 2 is a left side elevational view thereof; FIG. 3 is a right side elevational view thereof; FIG. 4 is a top plan view thereof; FIG. 5 is a bottom plan view thereof; FIG. 6 is a top, front and left side perspective view thereof; FIG. 7 is a bottom, front and left side perspective view thereof; FIG. 8 is a front elevational view of a second embodiment of a vehicle headlight, showing our new design; FIG. 9 is a left side elevational view thereof; FIG. 10 is a right side elevational view thereof; FIG. 11 is a top plan view thereof; FIG. 12 is a bottom plan view thereof; FIG. 13 is a top, front and left side perspective view thereof; FIG. 14 is a bottom, front and left side perspective view thereof; FIG. 15 is a front elevational view of a third embodiment of a vehicle headlight, showing our new design; FIG. 16 is a left side elevational view thereof; FIG. 17 is a right side elevational view thereof; FIG. 18 is a top plan view thereof; FIG. 19 is a bottom plan view thereof; FIG. 20 is a top, front and left side perspective view thereof; and, FIG. 21 is a bottom, front and left side perspective view thereof.

**1 Claim, 21 Drawing Sheets**



(56)

## References Cited

## U.S. PATENT DOCUMENTS

D501,570	S	*	2/2005	Tandrup	.....	D26/28
D507,361	S	*	7/2005	Wood	.....	D26/28
D508,746	S	*	8/2005	Lai	.....	D26/28
D517,228	S	*	3/2006	Pfeiffer	.....	D26/28
D532,912	S	*	11/2006	Mahoney	.....	D26/28
D535,045	S	*	1/2007	Schiavone	.....	D26/28
D545,462	S	*	6/2007	Kaoud	.....	D26/28
D546,483	S	*	7/2007	Bucher	.....	D26/28
D547,472	S	*	7/2007	Tant	.....	D26/28
D550,382	S	*	9/2007	Ellis	.....	D26/28
D556,349	S	*	11/2007	Golden	.....	D26/28
D561,918	S	*	2/2008	Aris	.....	D26/28
D563,575	S	*	3/2008	Gresens	.....	D26/28
D569,020	S	*	5/2008	Schiavone	.....	D26/28
D571,025	S	*	6/2008	Golden	.....	D26/28
D588,718	S	*	3/2009	Spearman-Oxx	.....	D26/28
D612,960	S	*	3/2010	Bucher	.....	D26/28
D665,110	S	*	8/2012	Svensson	.....	D26/28
D670,417	S	*	11/2012	Svensson	.....	D26/28
D746,497	S	*	12/2015	Behmer	.....	D26/28
D877,370	S	*	3/2020	Smock	.....	D26/28
D877,945	S	*	3/2020	Betancourt	.....	D26/28
D885,620	S	*	5/2020	Furuta	.....	D26/28
D887,038	S	*	6/2020	Razaghi	.....	D26/28
D907,816	S	*	1/2021	Tonello	.....	D26/28
D907,819	S	*	1/2021	Tonello	.....	D26/28
D916,336	S	*	4/2021	Wraith	.....	D26/28
D919,854	S	*	5/2021	Kaoud	.....	D26/28
D919,855	S	*	5/2021	Kaoud	.....	D26/28
D919,856	S	*	5/2021	Kaoud	.....	D26/28
D921,238	S	*	6/2021	Meyer	.....	D26/28
D921,239	S	*	6/2021	Park	.....	D26/28
D923,218	S	*	6/2021	Lee	.....	D26/28
D930,860	S	*	9/2021	Hartenstein	.....	D26/28

\* cited by examiner

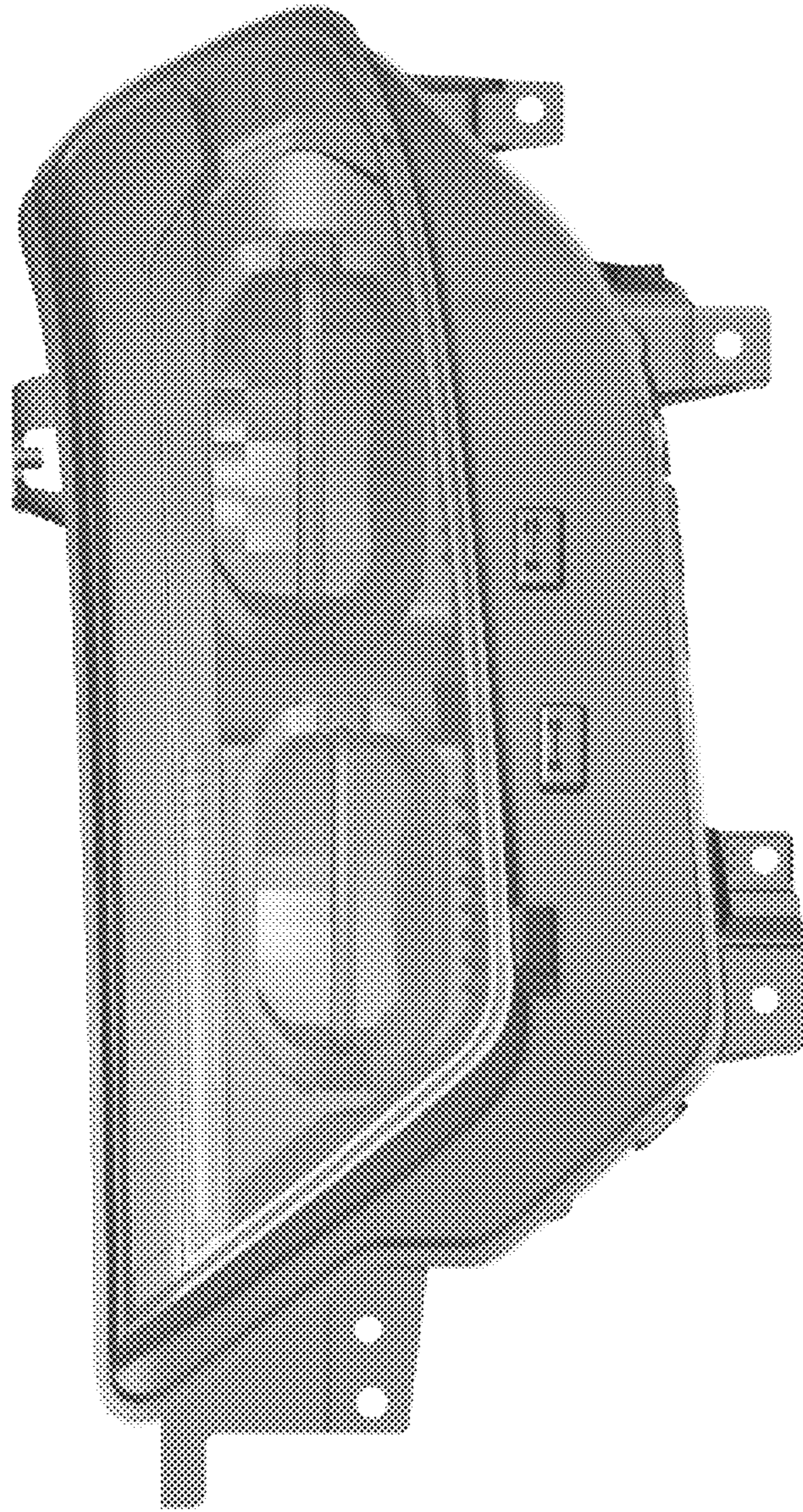


Fig. 1

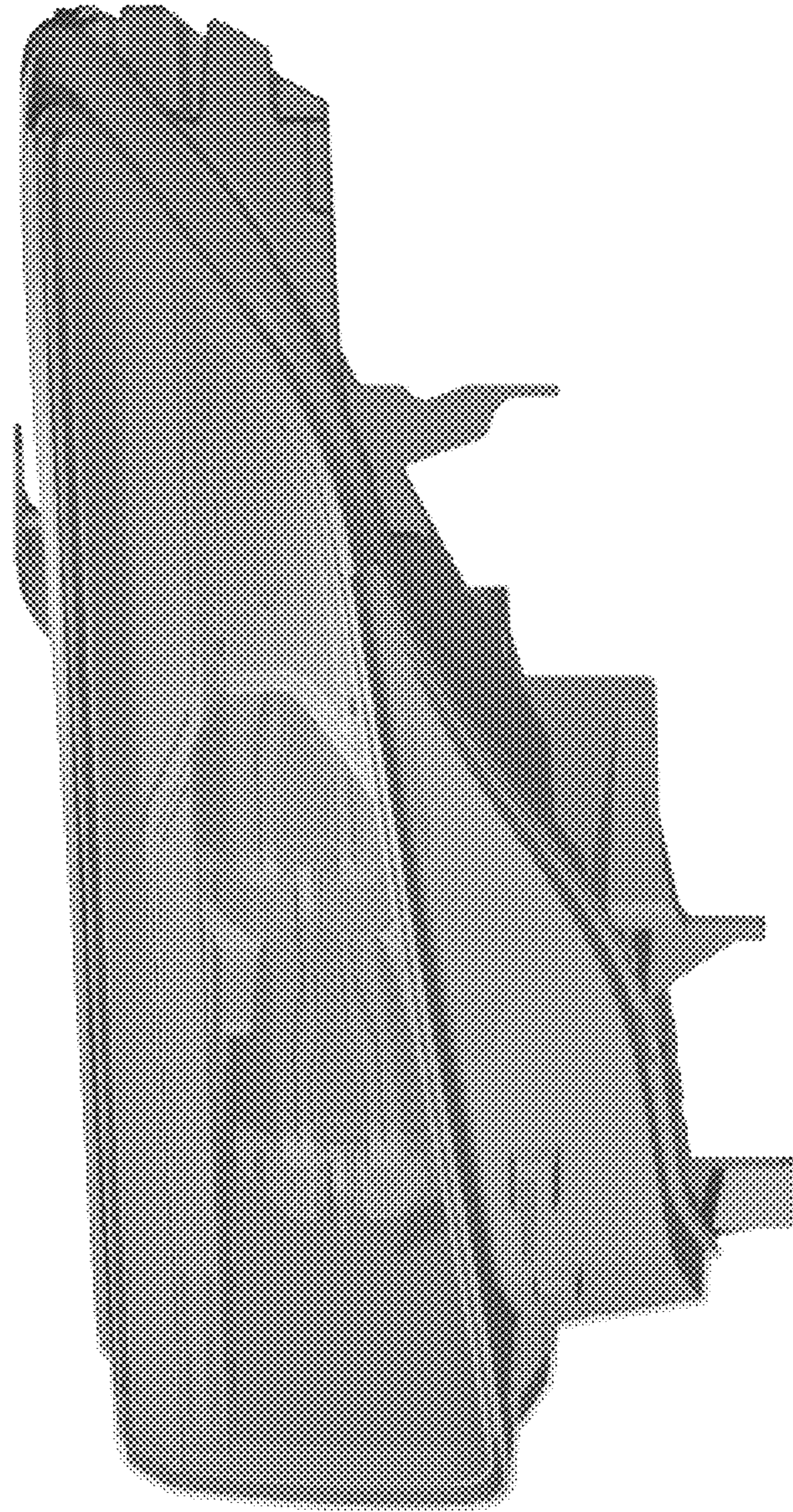


Fig. 2

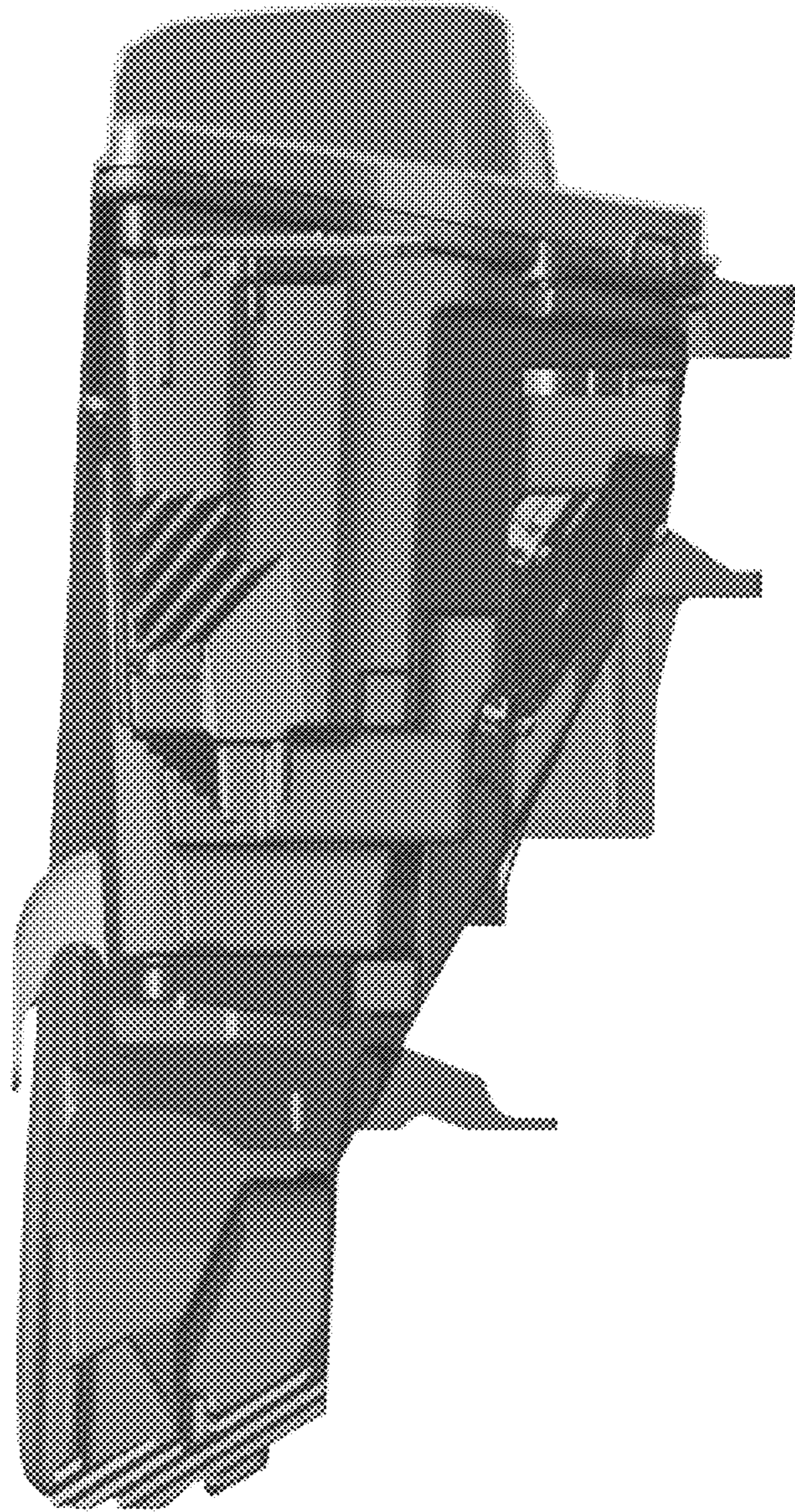
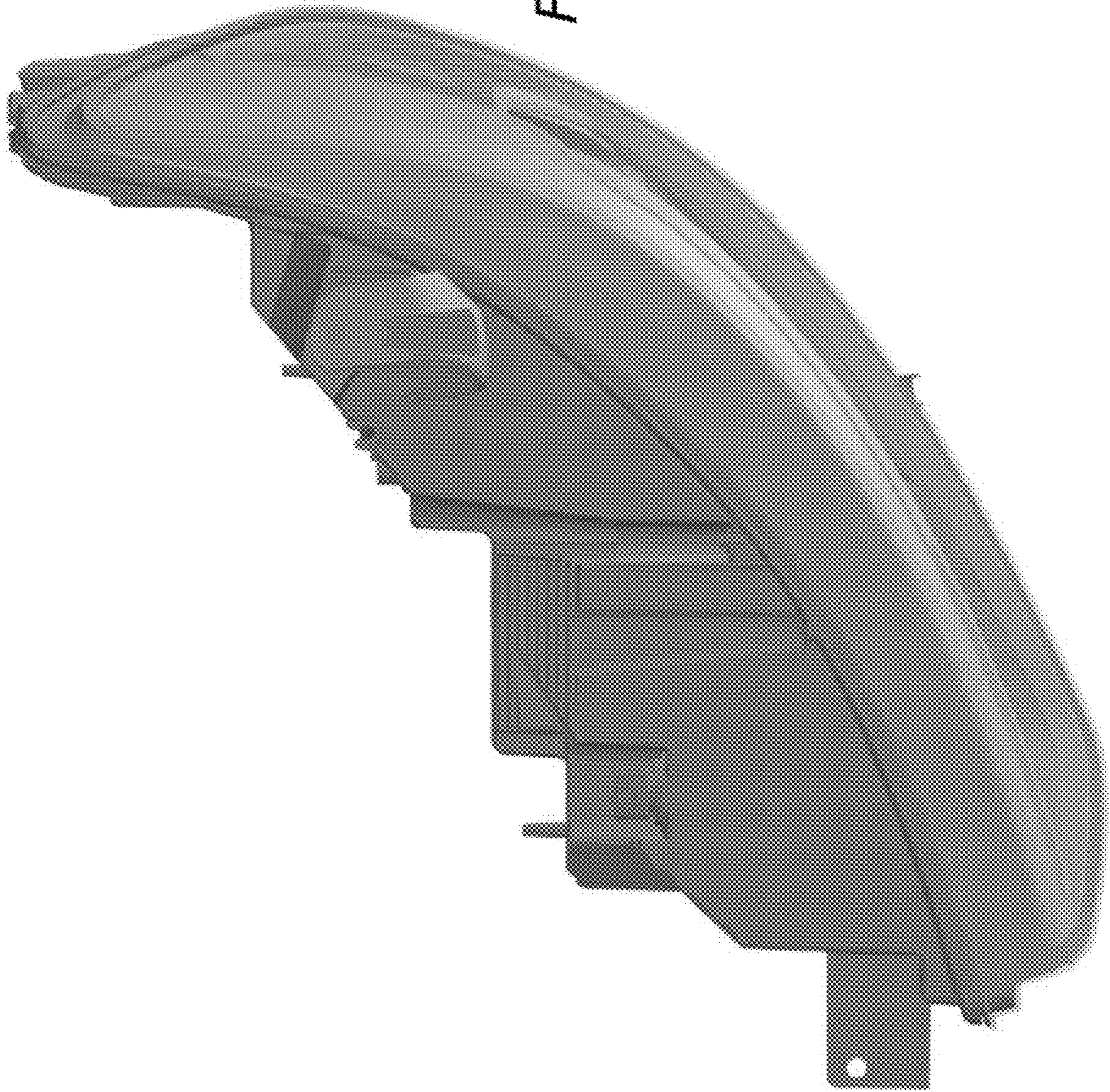


Fig. 3

Fig. 4



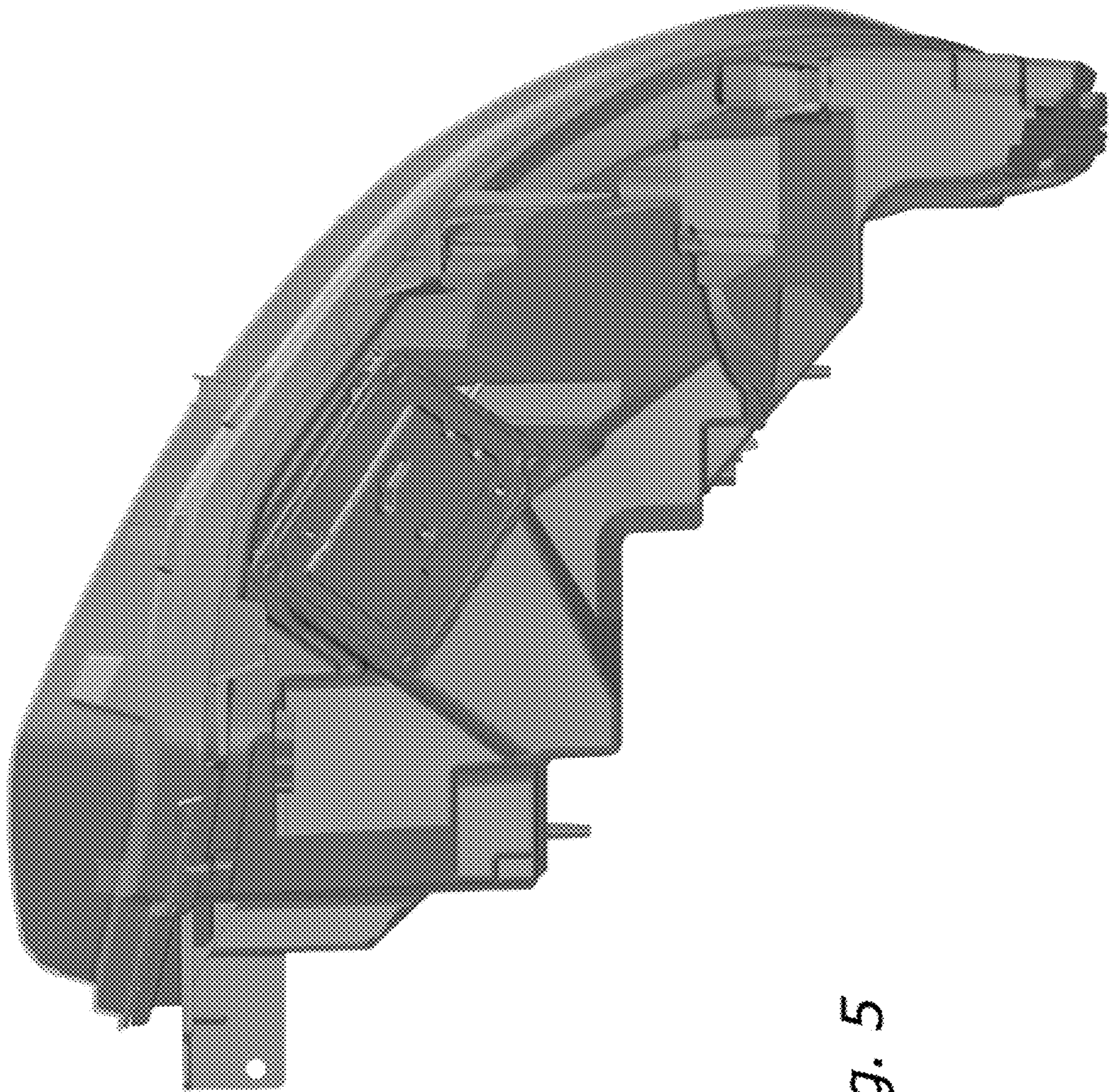


Fig. 5

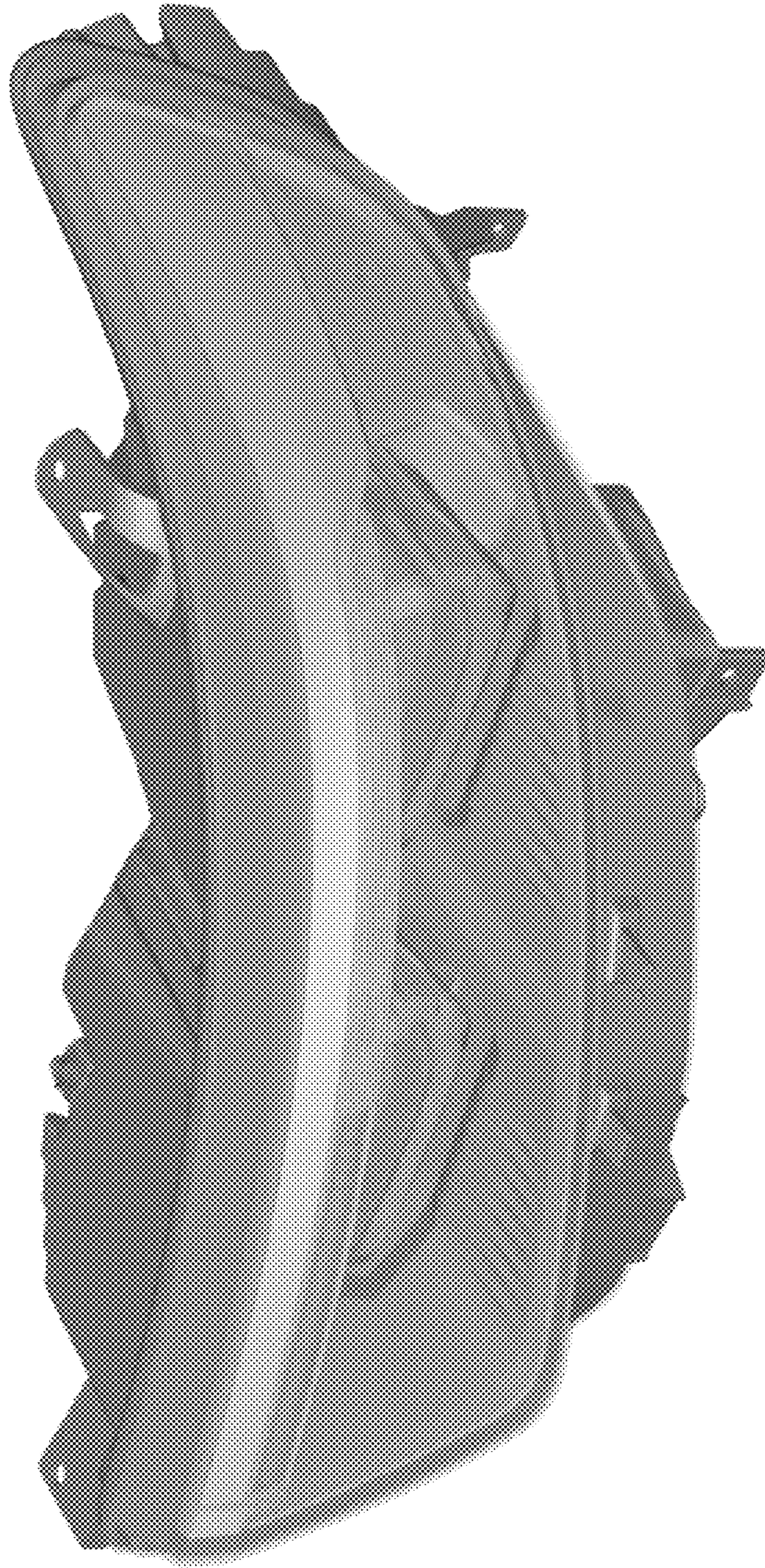


Fig. 6



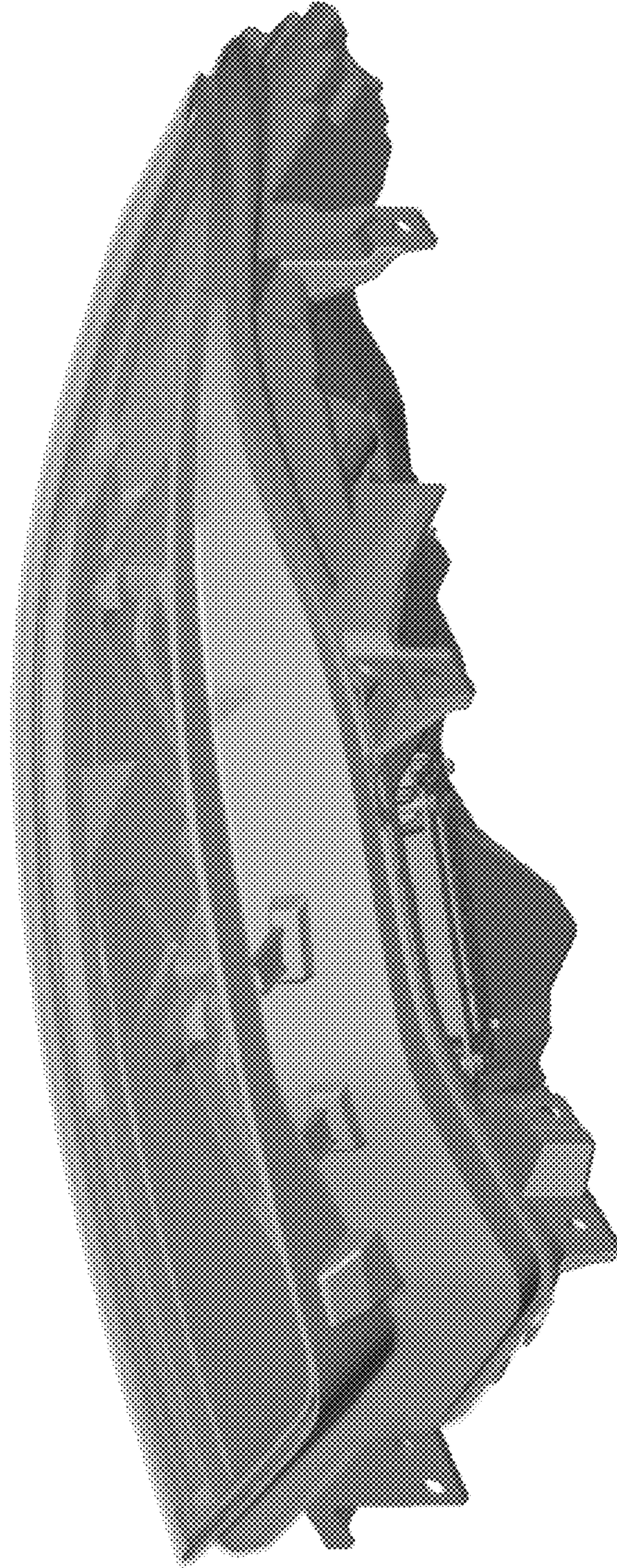


FIG. 7

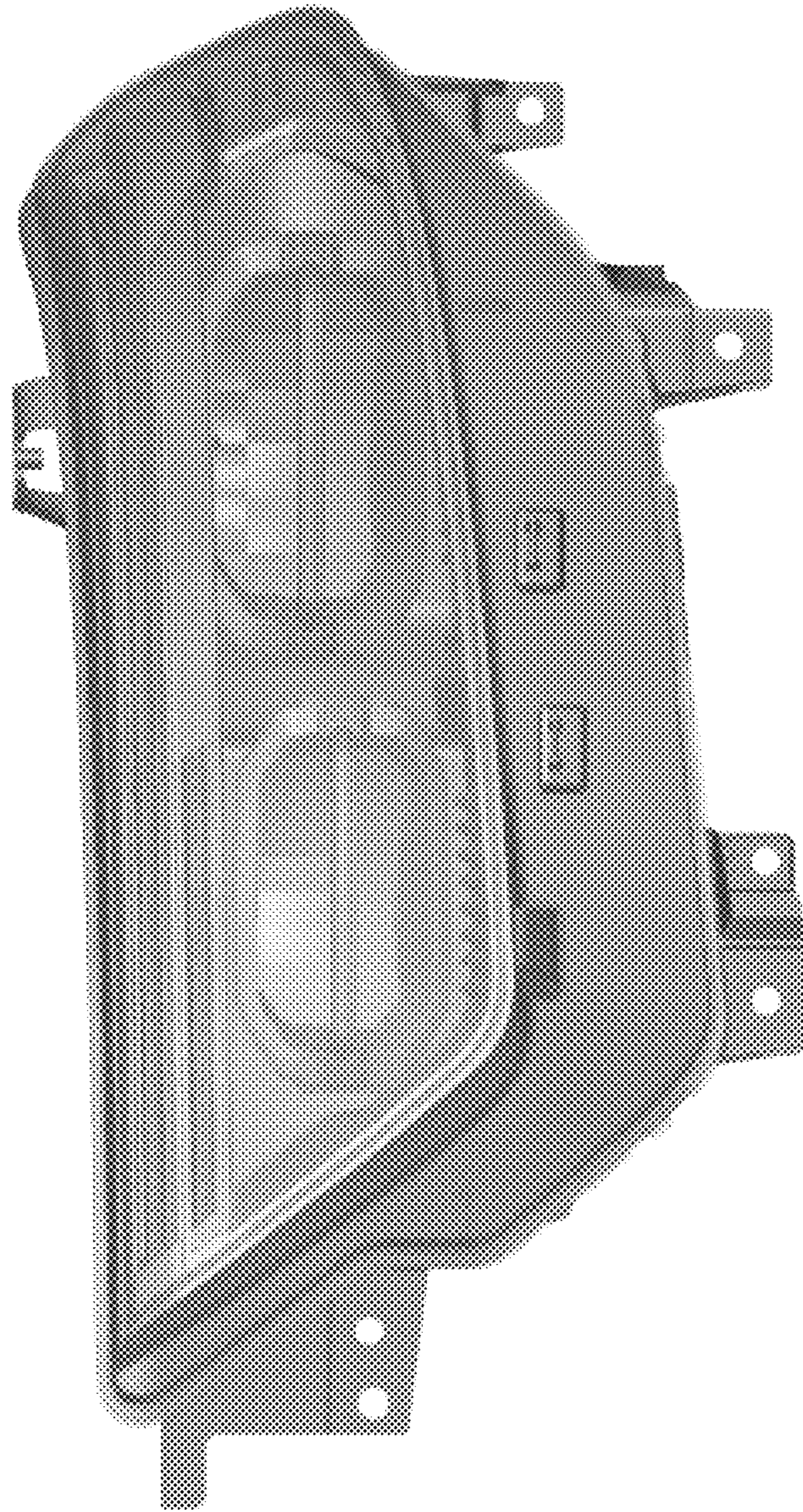


Fig. 8

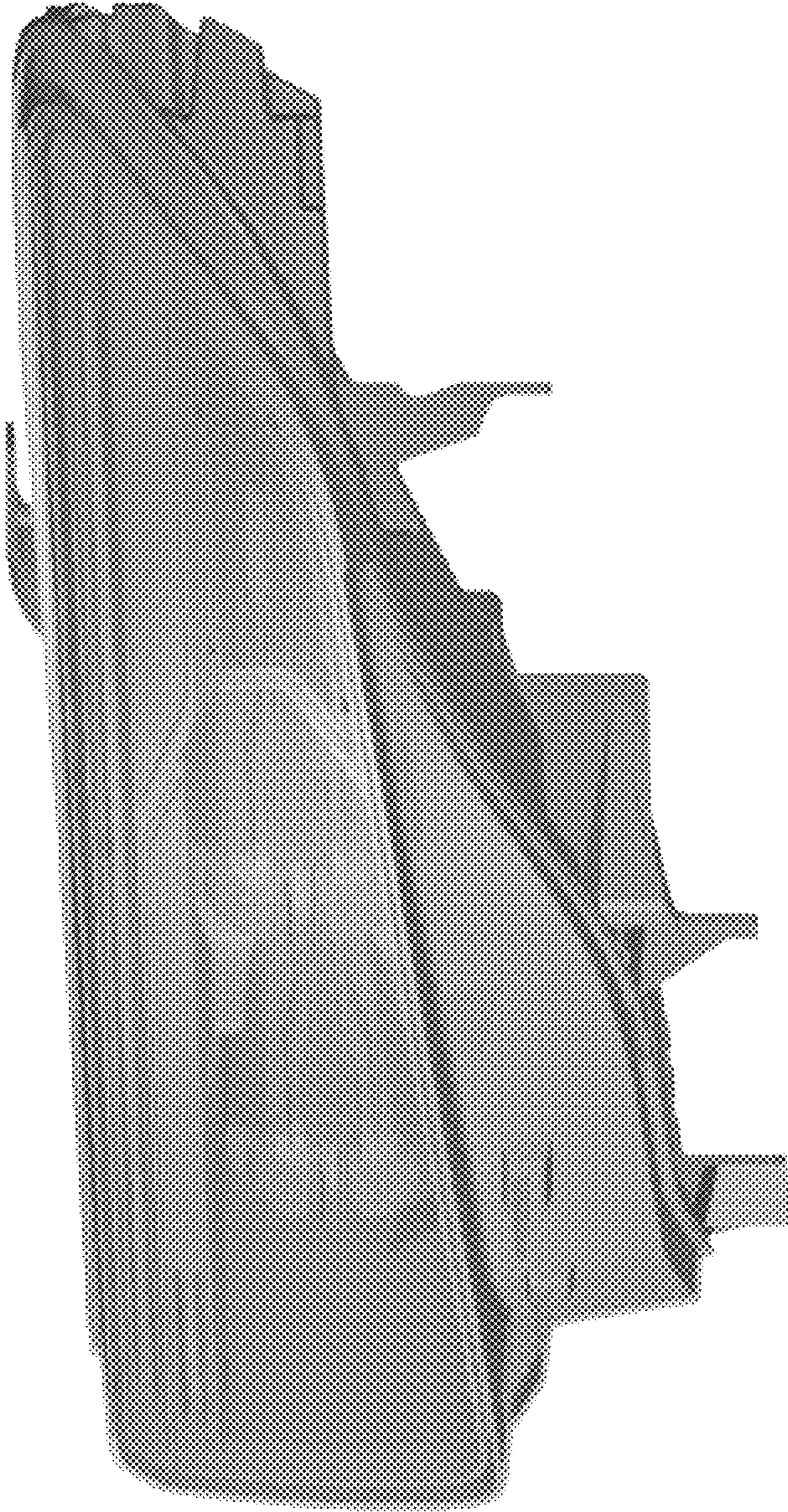


Fig. 9

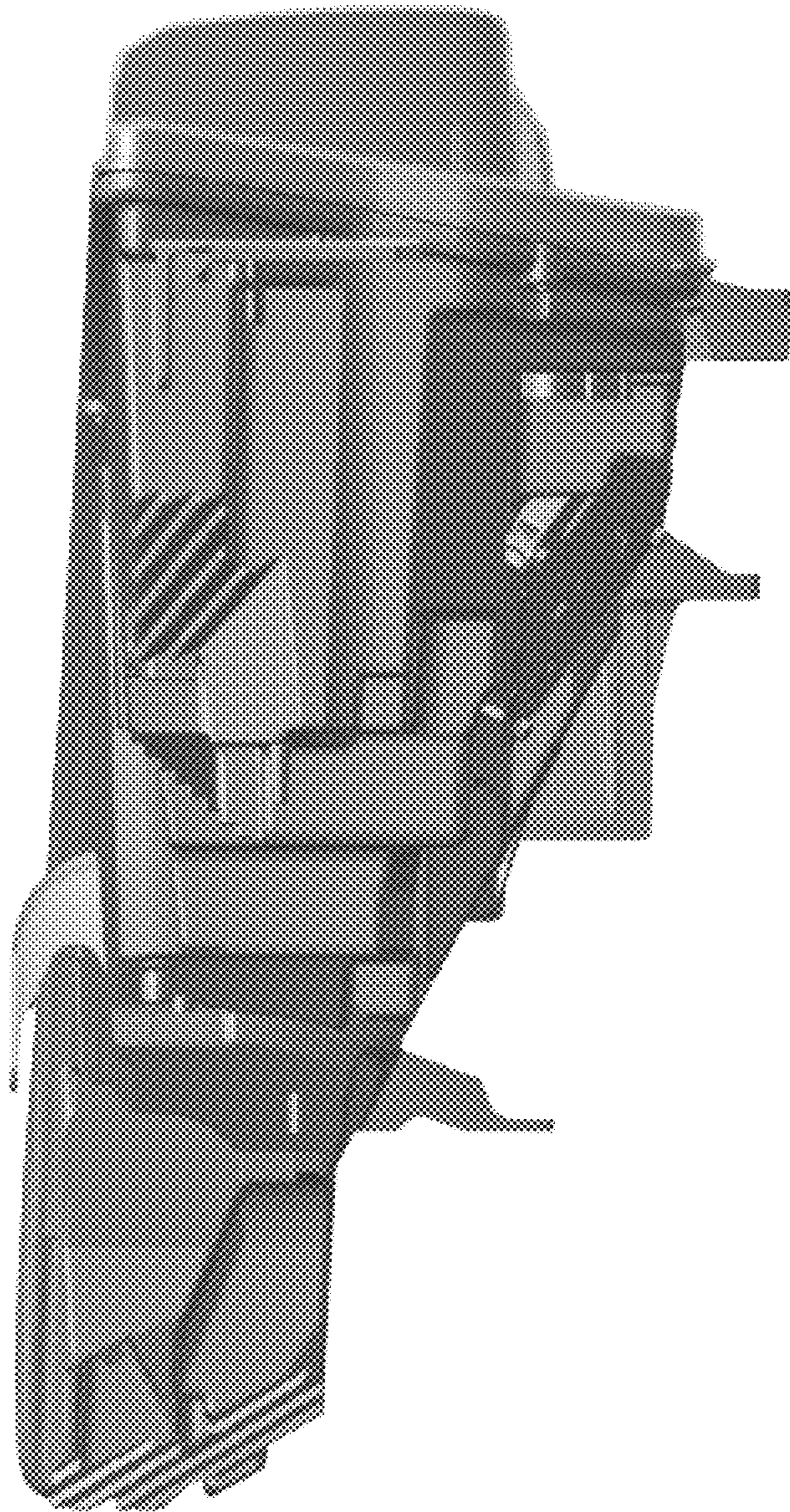
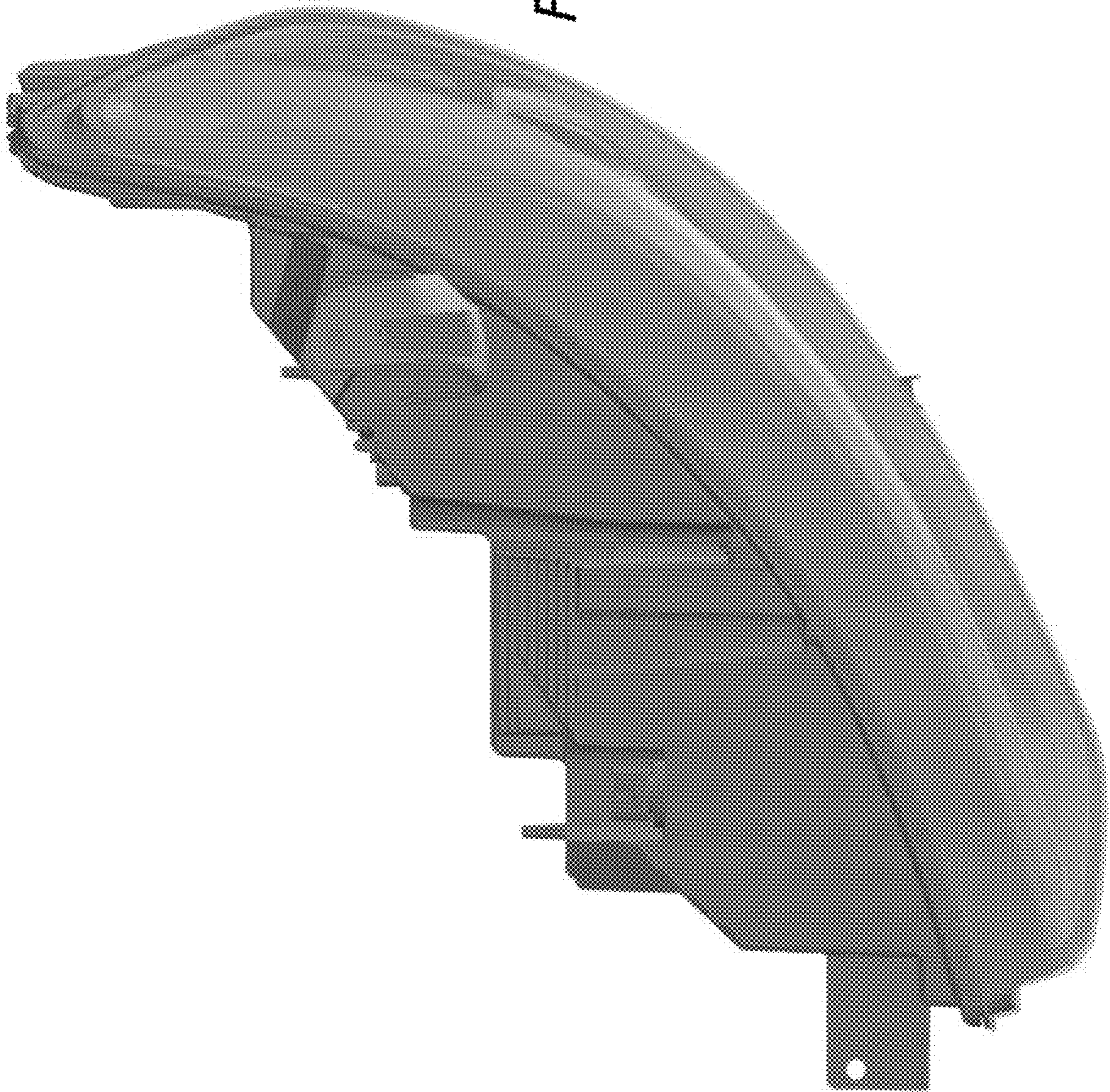


Fig. 10

Fig. 11



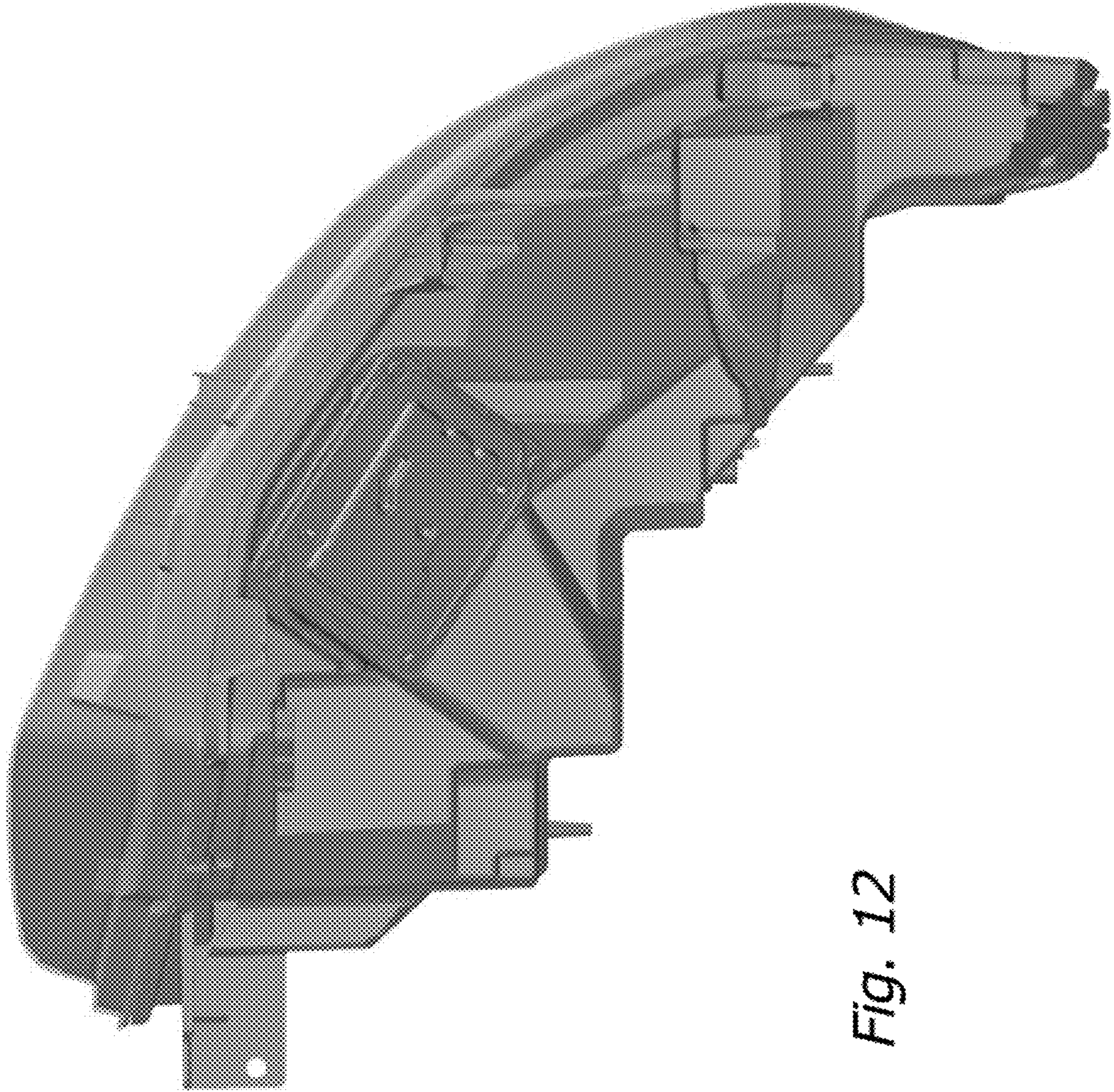


Fig. 12

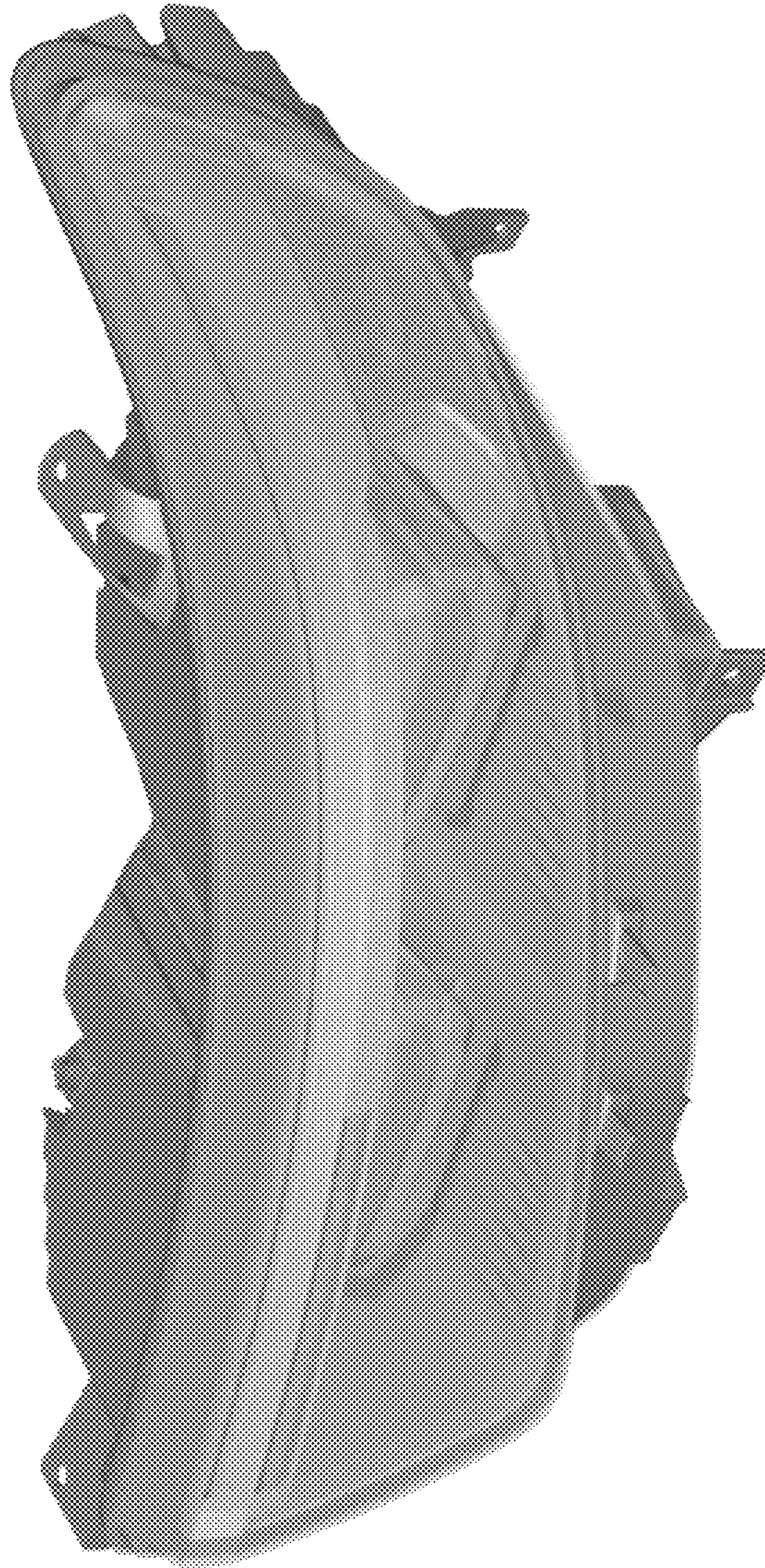


FIG. 13

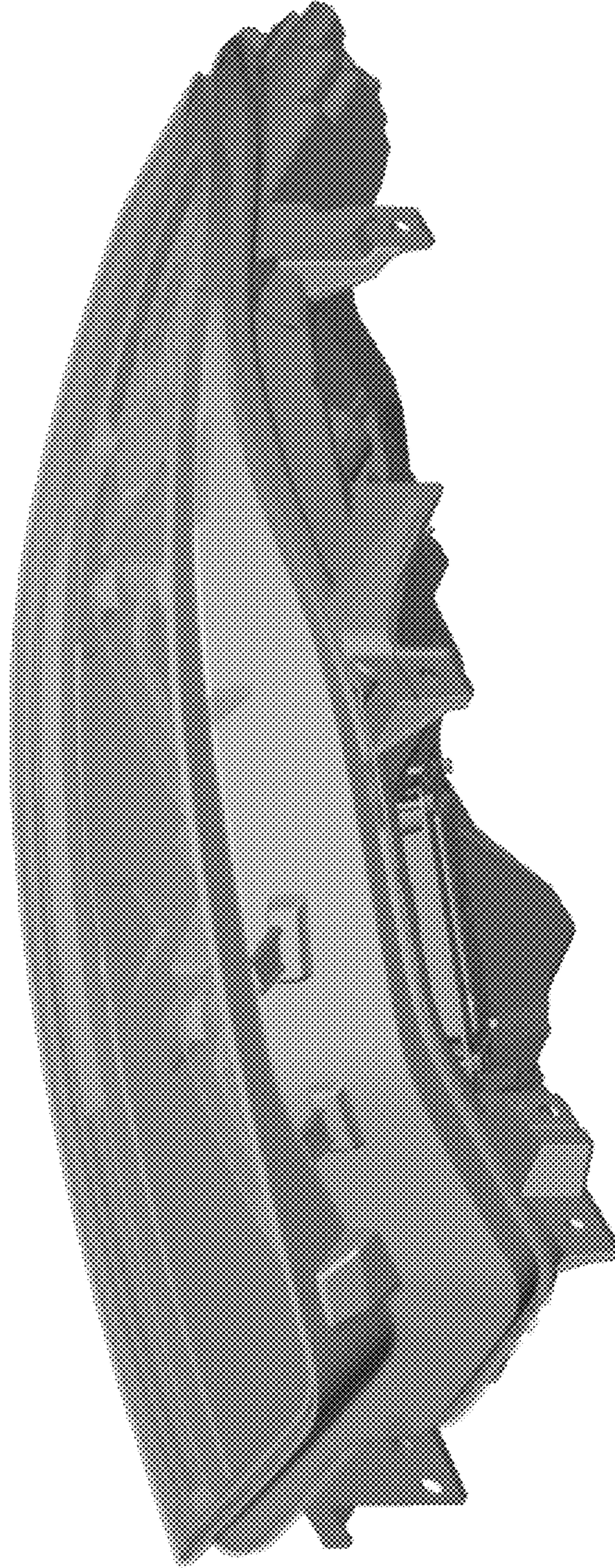


Fig. 14



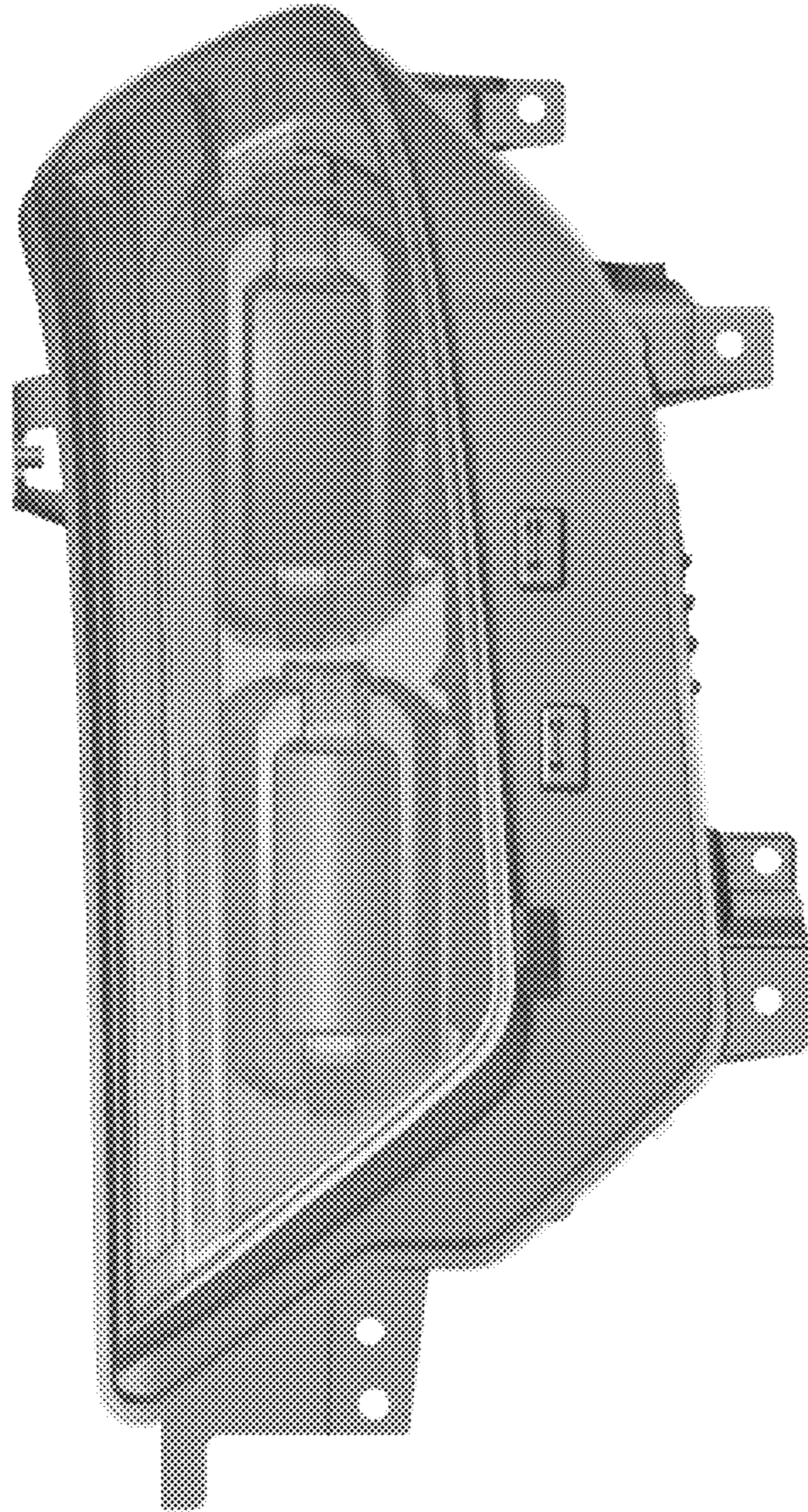


Fig. 15

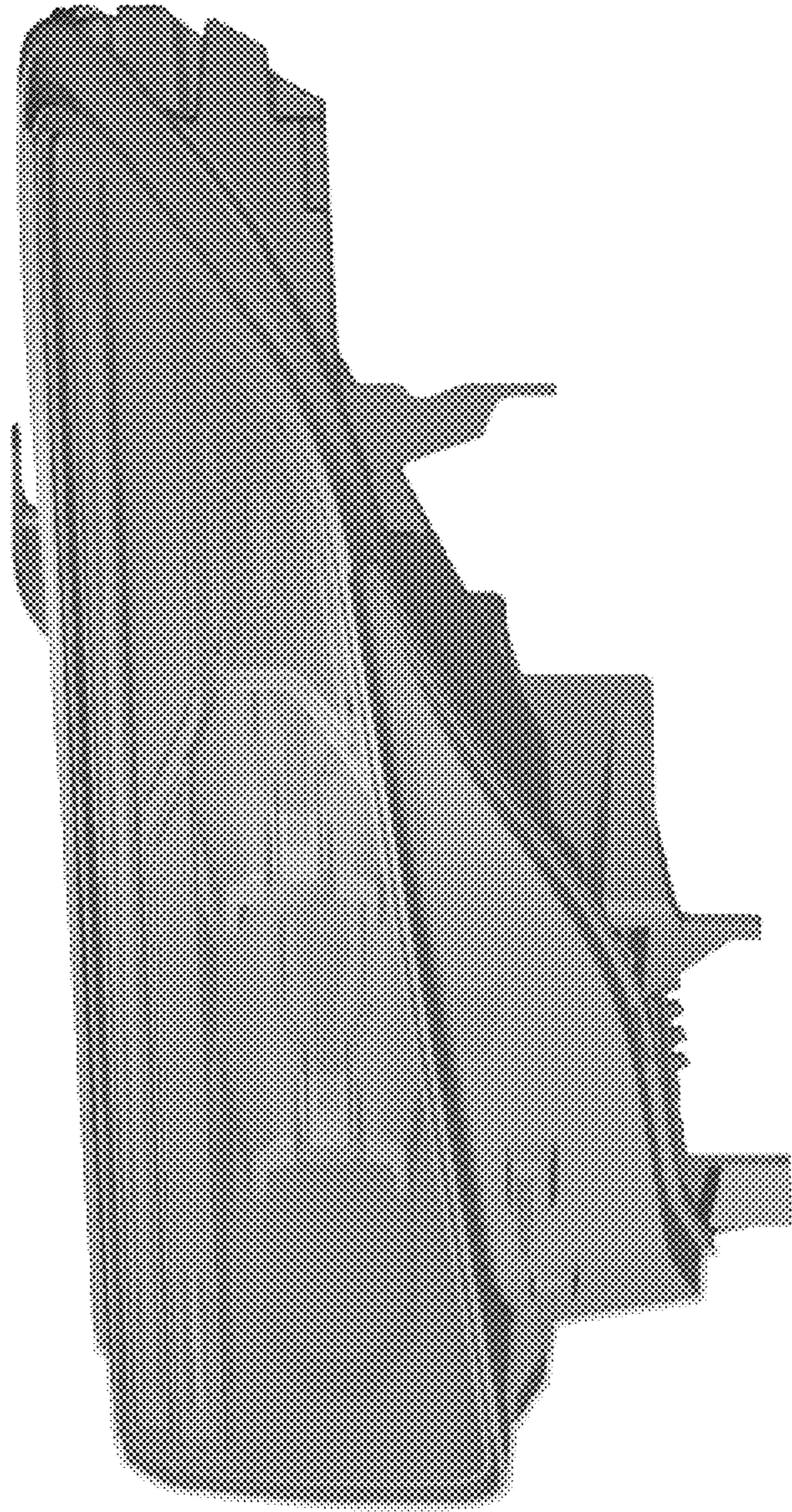


Fig. 16

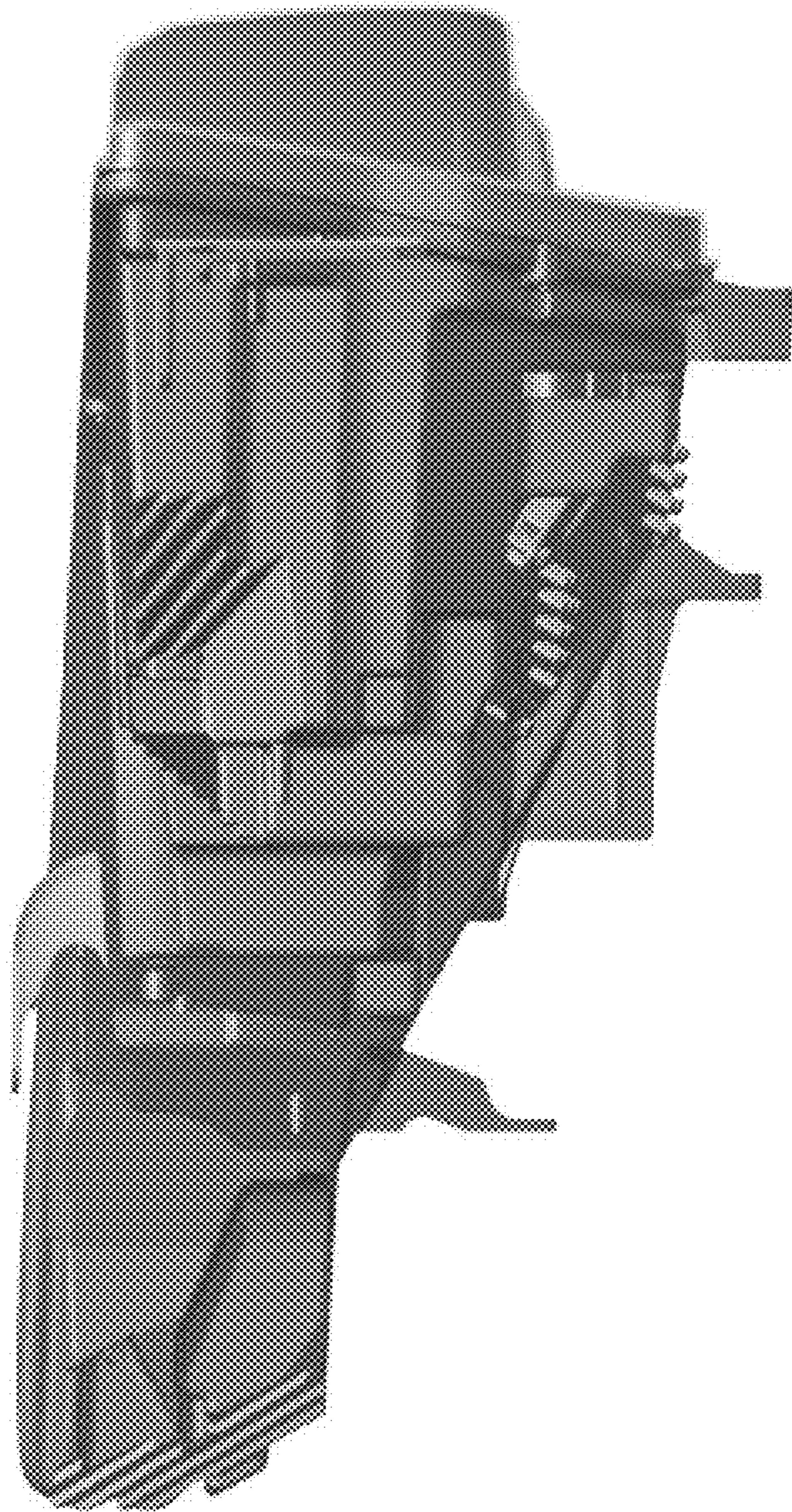


Fig. 17

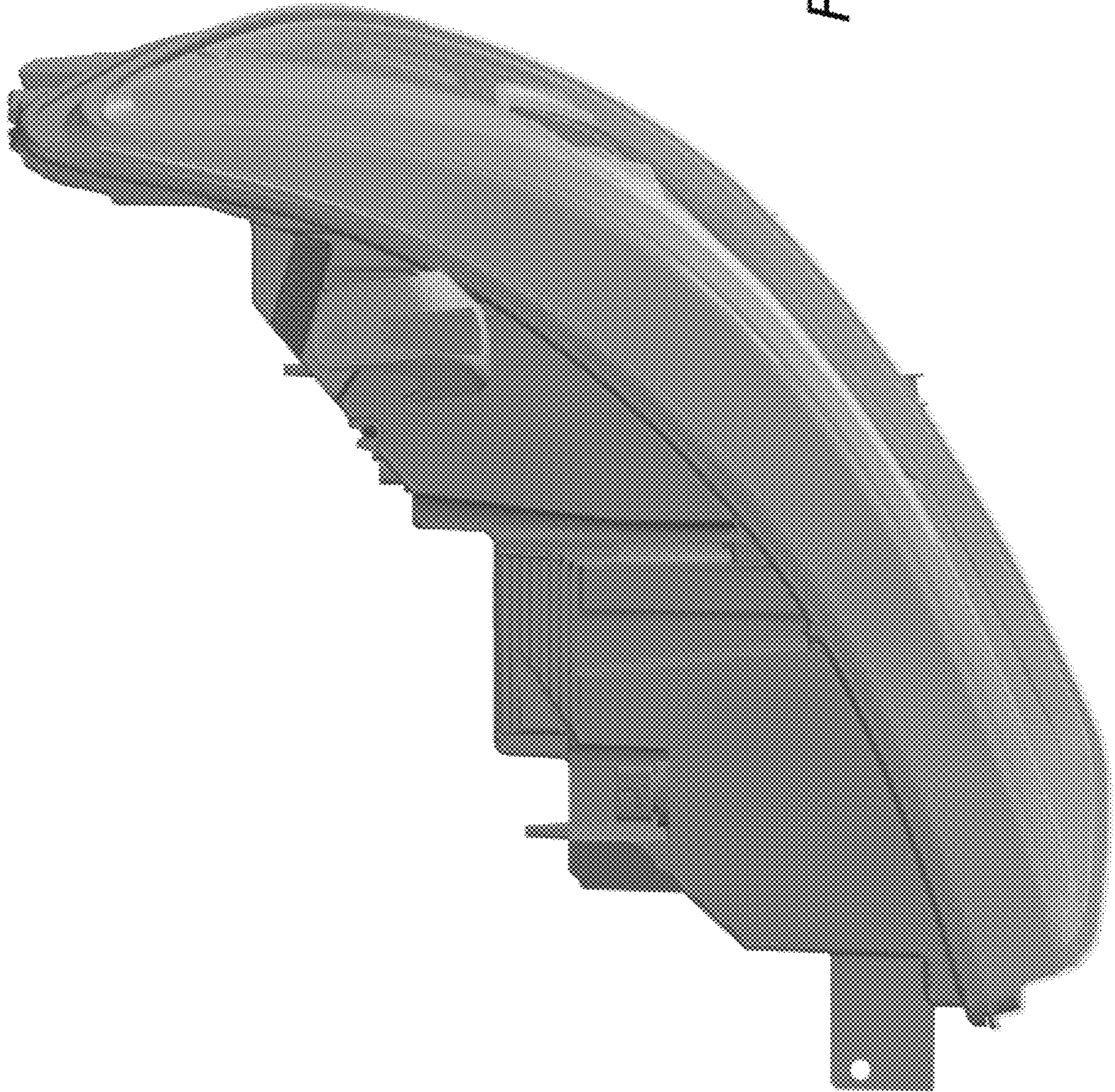


Fig. 18

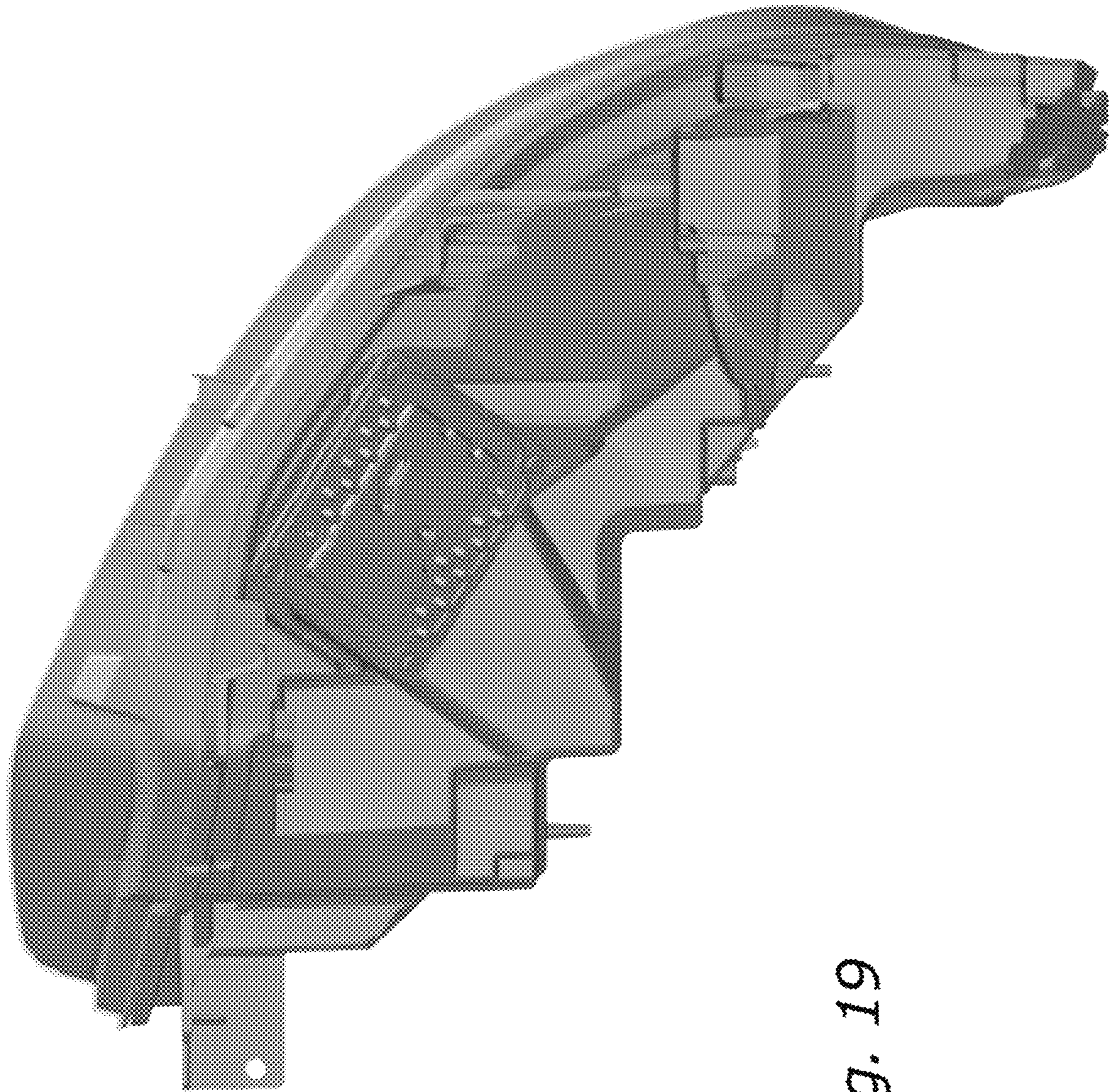


Fig. 19

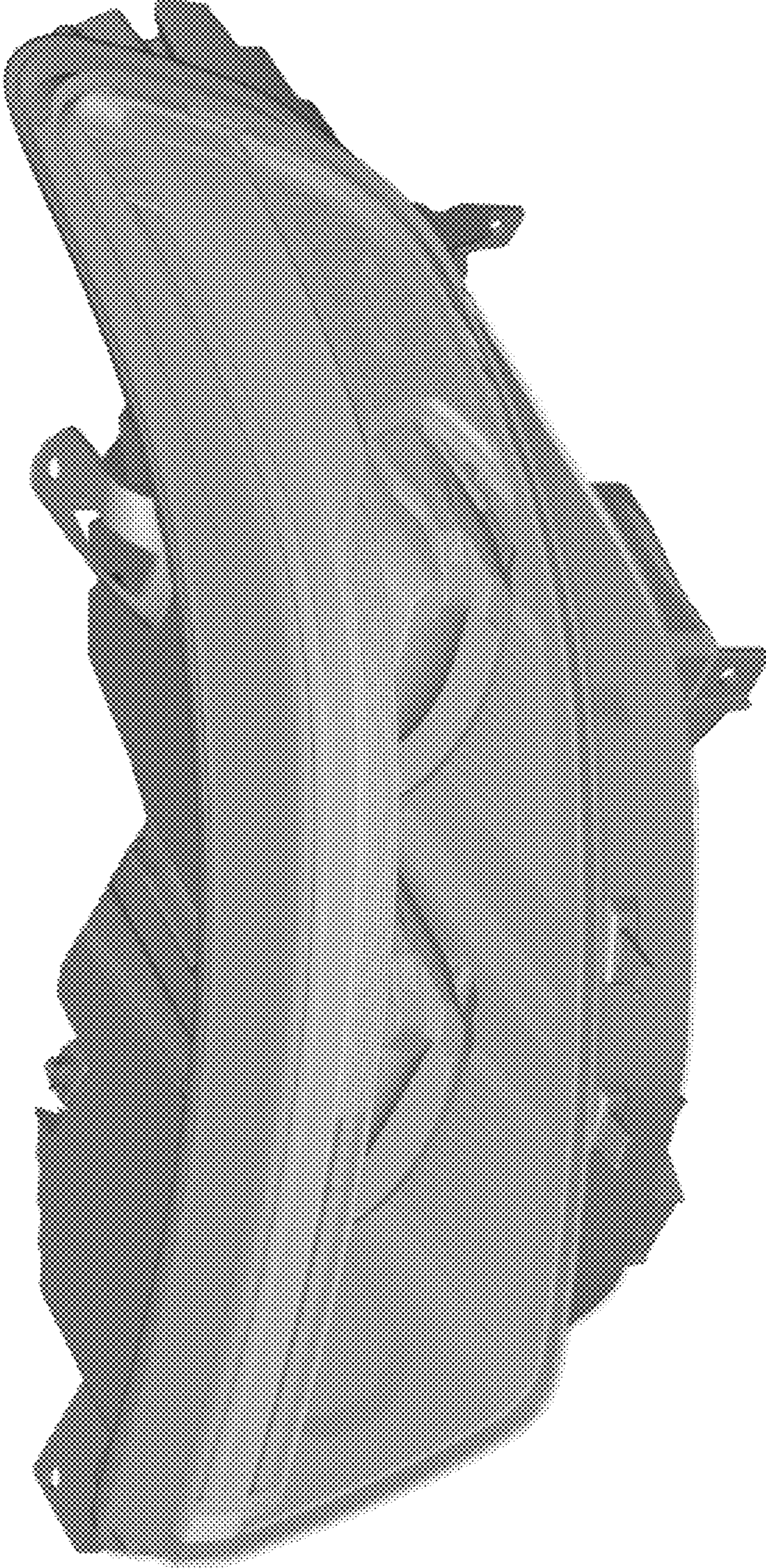
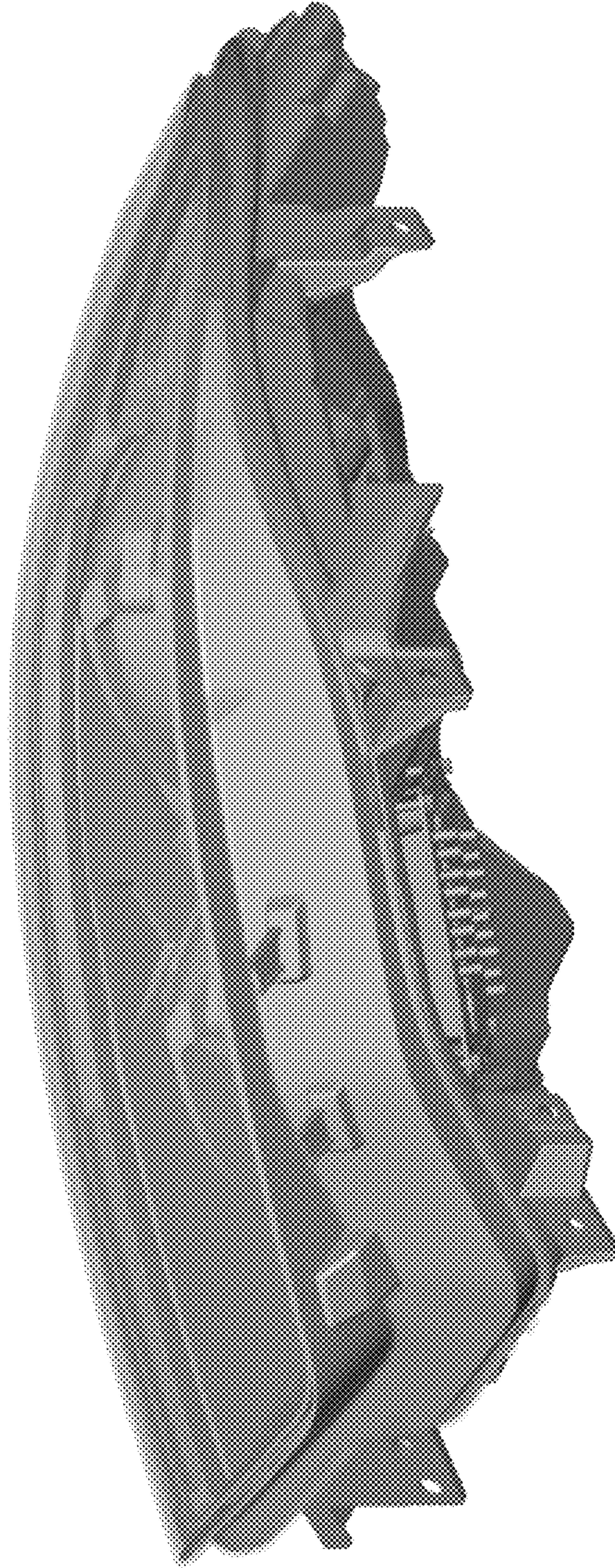


Fig. 20



*Fig. 21*