



US00D942654S

(12) **United States Design Patent**
Hu

(10) **Patent No.:** **US D942,654 S**

(45) **Date of Patent:** **** Feb. 1, 2022**

(54) **LED FRONT SIDE LIGHT WITH DAYTIME
RUNNING LIGHTS**

D535,409 S * 1/2007 Yamaguchi D26/28
D675,352 S * 1/2013 Akojima D26/28
D677,813 S * 3/2013 Hanaoka D26/28

(71) Applicant: **Chun Hu**, Guangzhou (CN)

* cited by examiner

(72) Inventor: **Chun Hu**, Guangzhou (CN)

Primary Examiner — Marcus A Jackson

(**) Term: **15 Years**

(57) **CLAIM**

The ornamental design for LED front side light with daytime running lights, as shown and described.

(21) Appl. No.: **29/715,912**

DESCRIPTION

(22) Filed: **Dec. 5, 2019**

(51) **LOC (13) Cl.** **26-06**

(52) **U.S. Cl.**
USPC **D26/28**

(58) **Field of Classification Search**
USPC D26/28-36, 139
CPC F21S 48/00; F21S 48/10; F21S 48/115;
F21S 48/225; F21S 48/1233; F21S
48/1266; F21S 48/1388; F21S 48/2268;
F21V 21/04; F21V 29/004; B60Q 9/13;
B60Q 9/135; B60Q 9/1375

FIG. 1 is a front isometric view of the LED front side light with daytime running lights design;
FIG. 2 is a back isometric view thereof;
FIG. 3 is a front view thereof;
FIG. 4 is a back view thereof;
FIG. 5 is a left view thereof;
FIG. 6 is a right view thereof;
FIG. 7 is a top view thereof; and,
FIG. 8 is a bottom view thereof.

A pair of this LED front side light with daytime running lights design forms a bilateral symmetry structure. Each LED front side light with daytime running lights design has three units, including day time running light, parking lamp and turn signal light. The grille part of the design includes day time running light and turn signal light. The side part is parking lamp. The design is a full LED light source design, energy saving, beautiful and reliable, making driving safer.

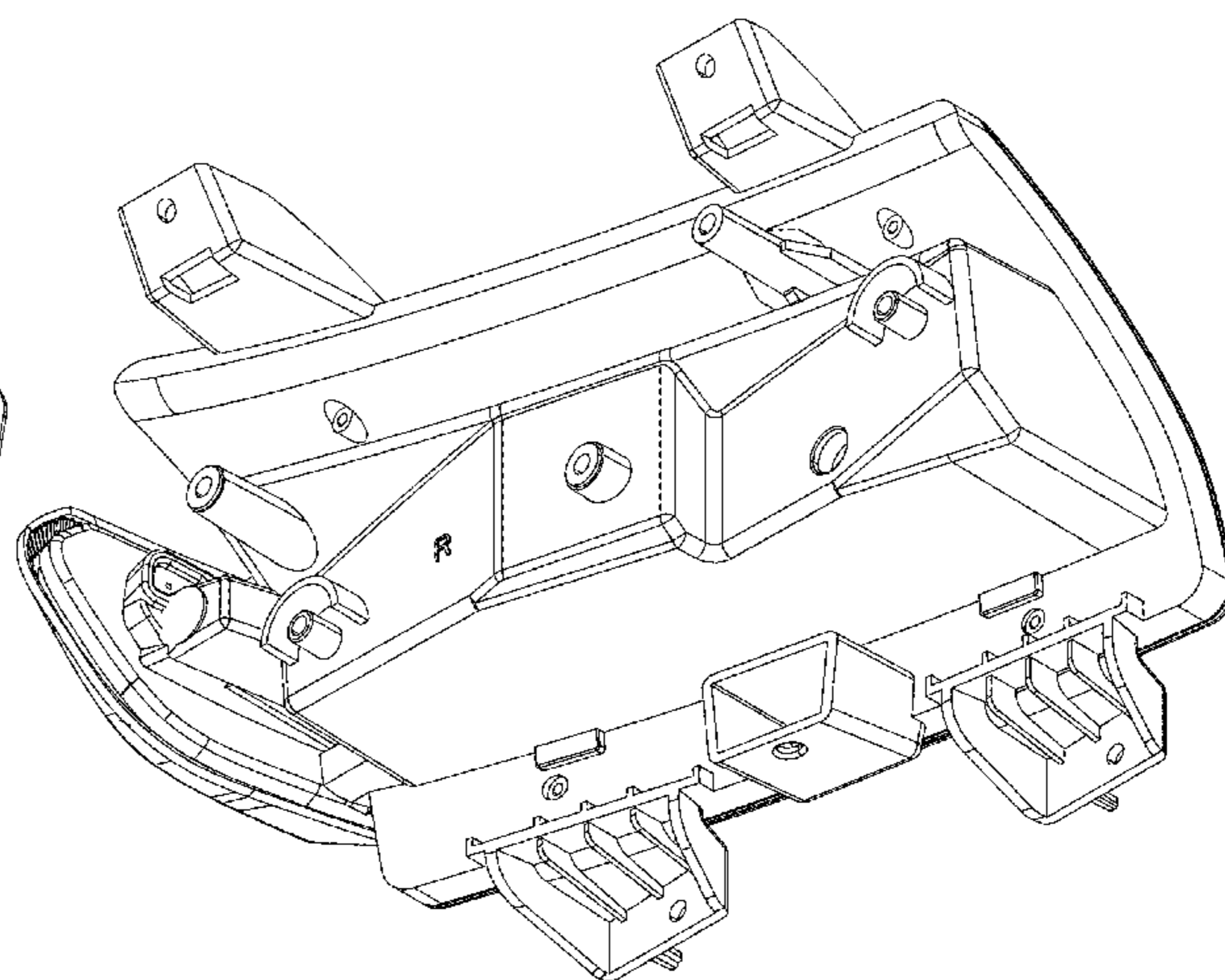
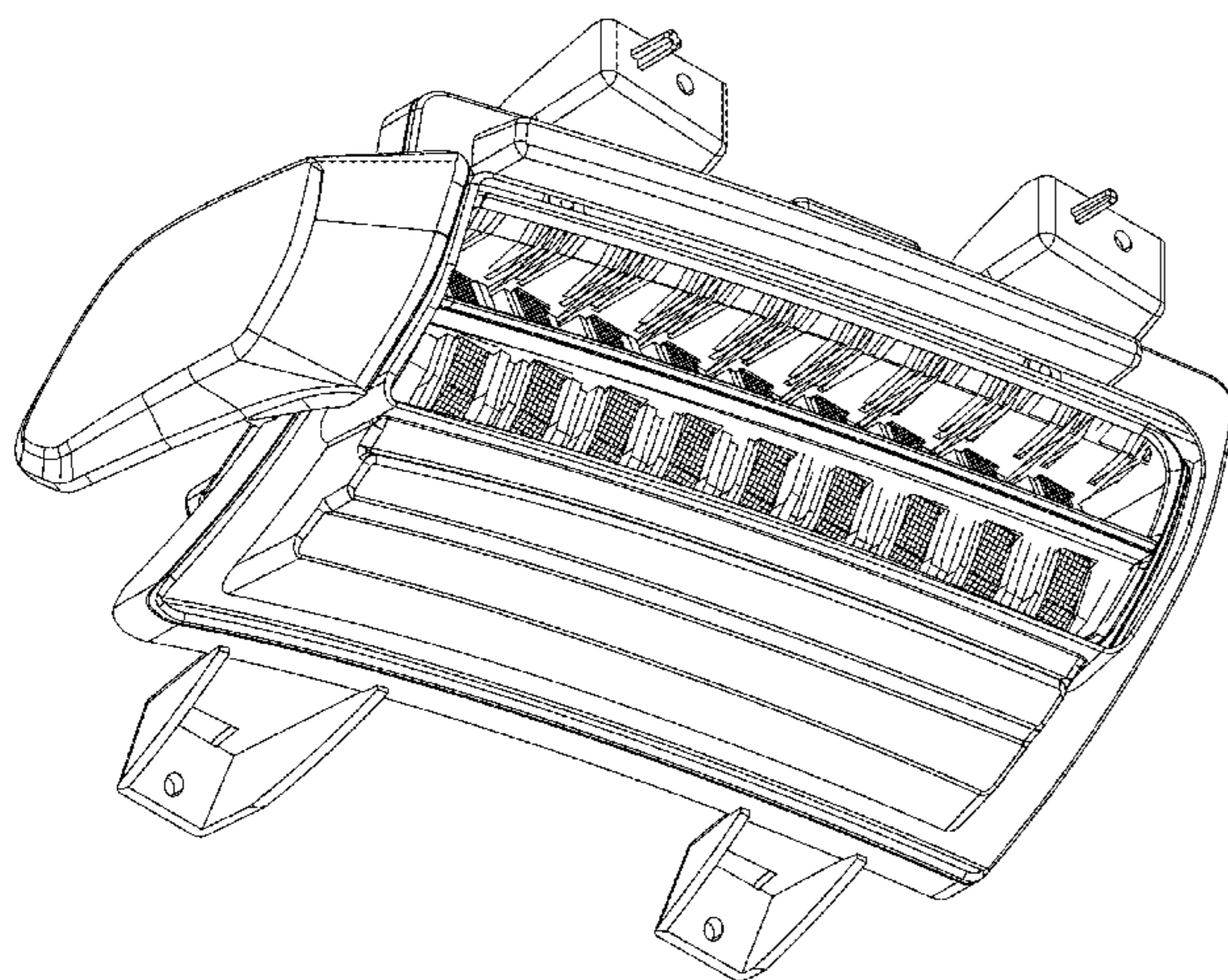
See application file for complete search history.

(56) **References Cited**

U.S. PATENT DOCUMENTS

D528,231 S * 9/2006 Ikeda D26/28
D528,686 S * 9/2006 Kato D26/28
D529,208 S * 9/2006 Ikeda D26/28

1 Claim, 8 Drawing Sheets



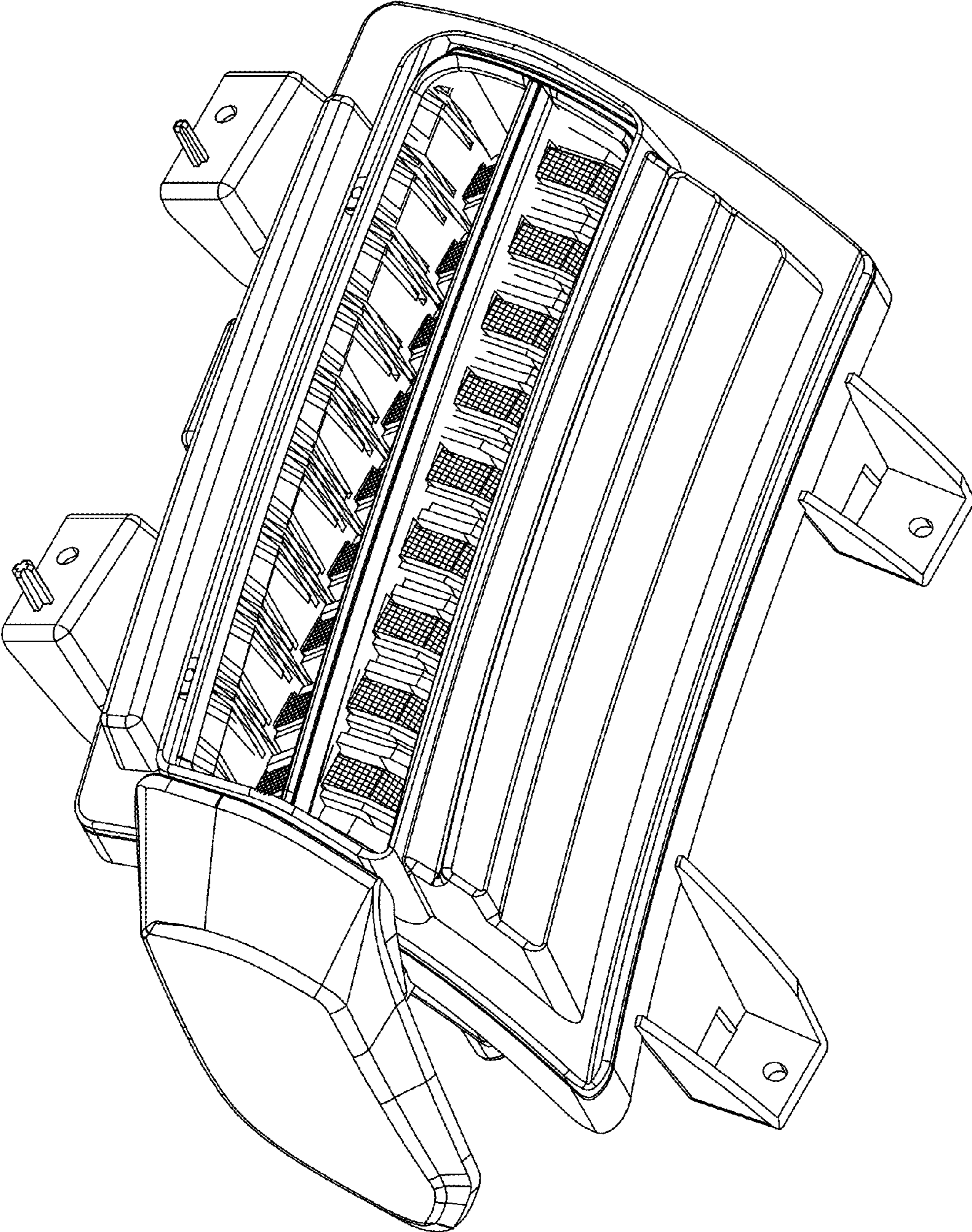


FIG. 1

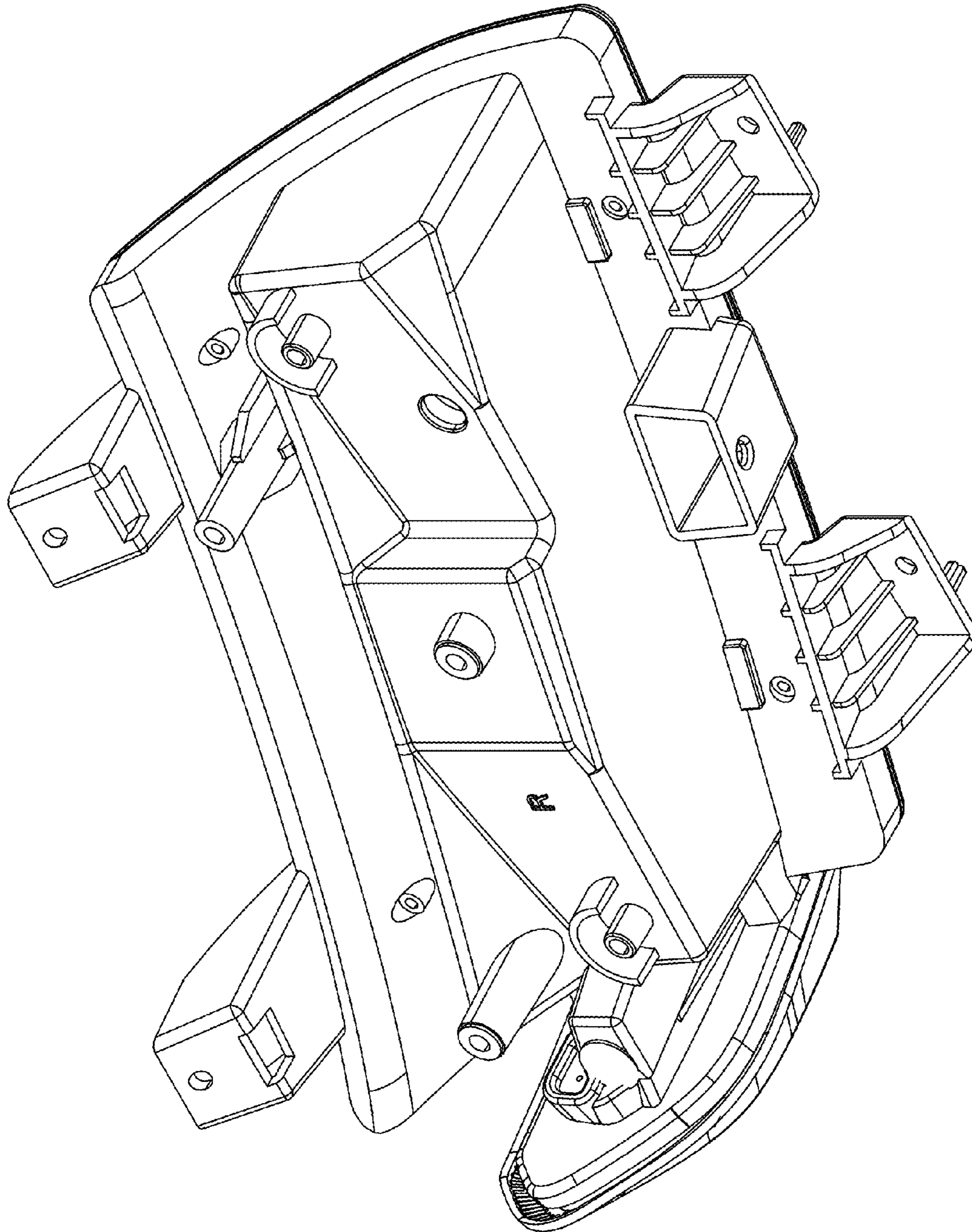


FIG. 2

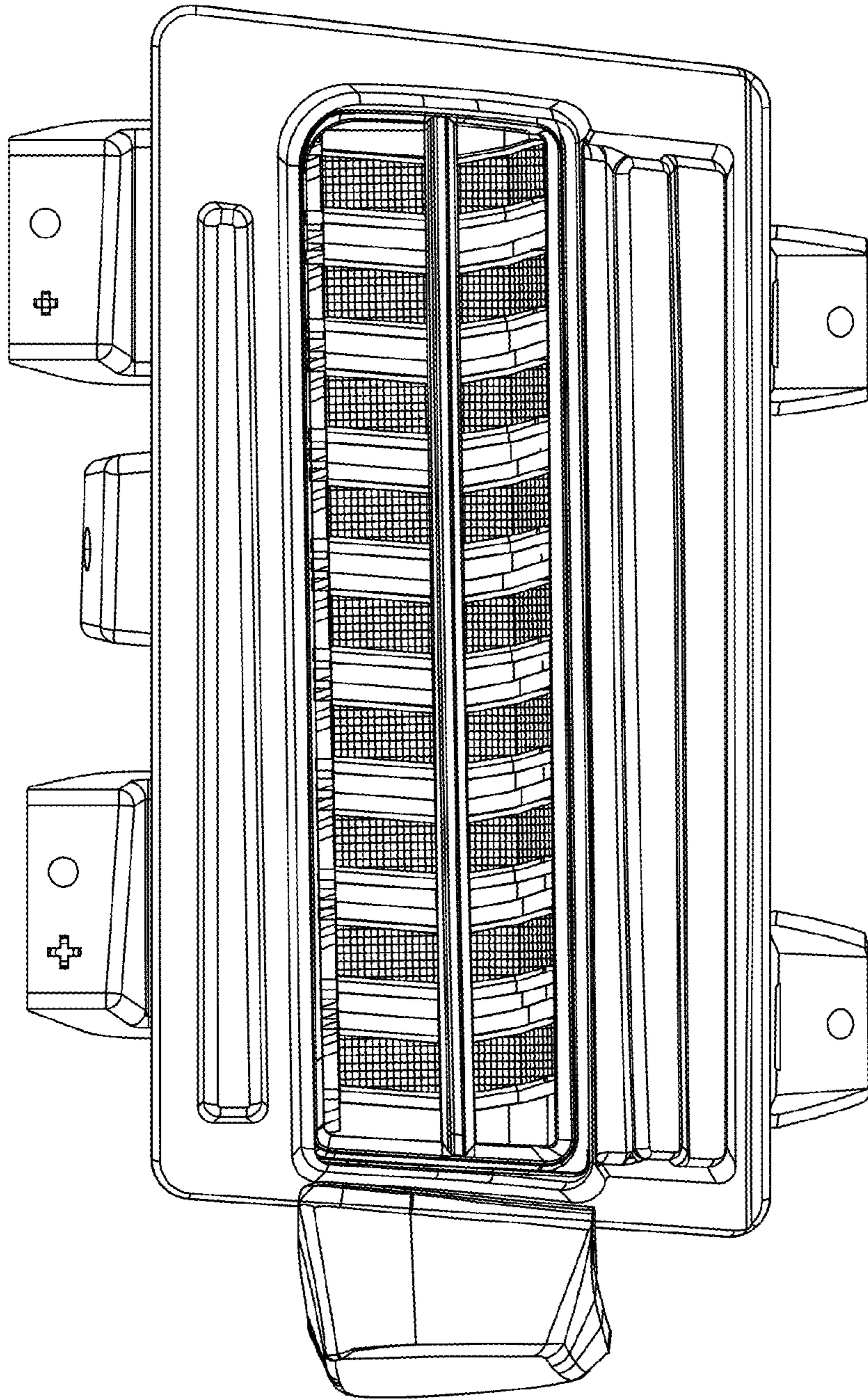


FIG. 3

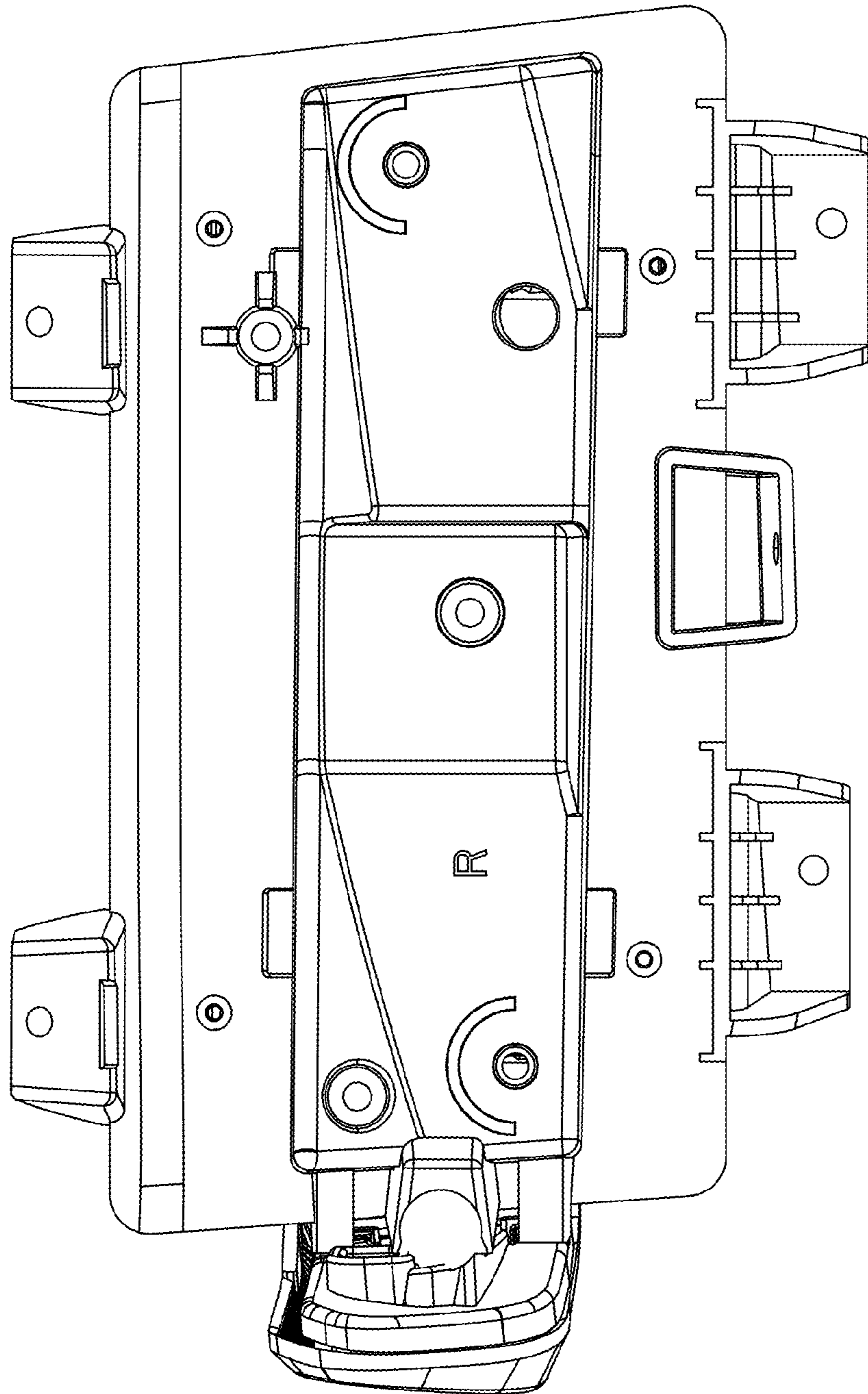


FIG. 4

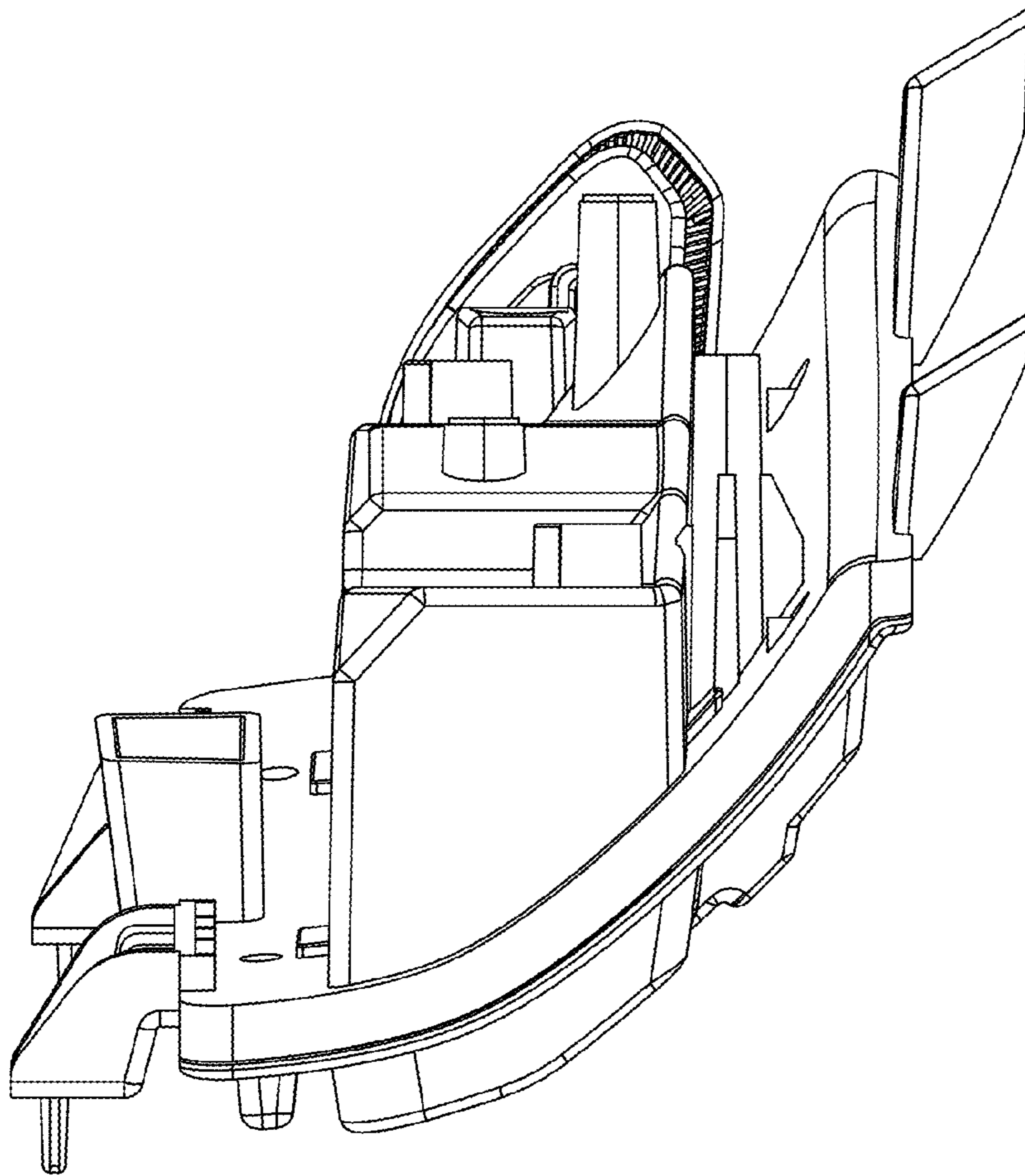


FIG. 5

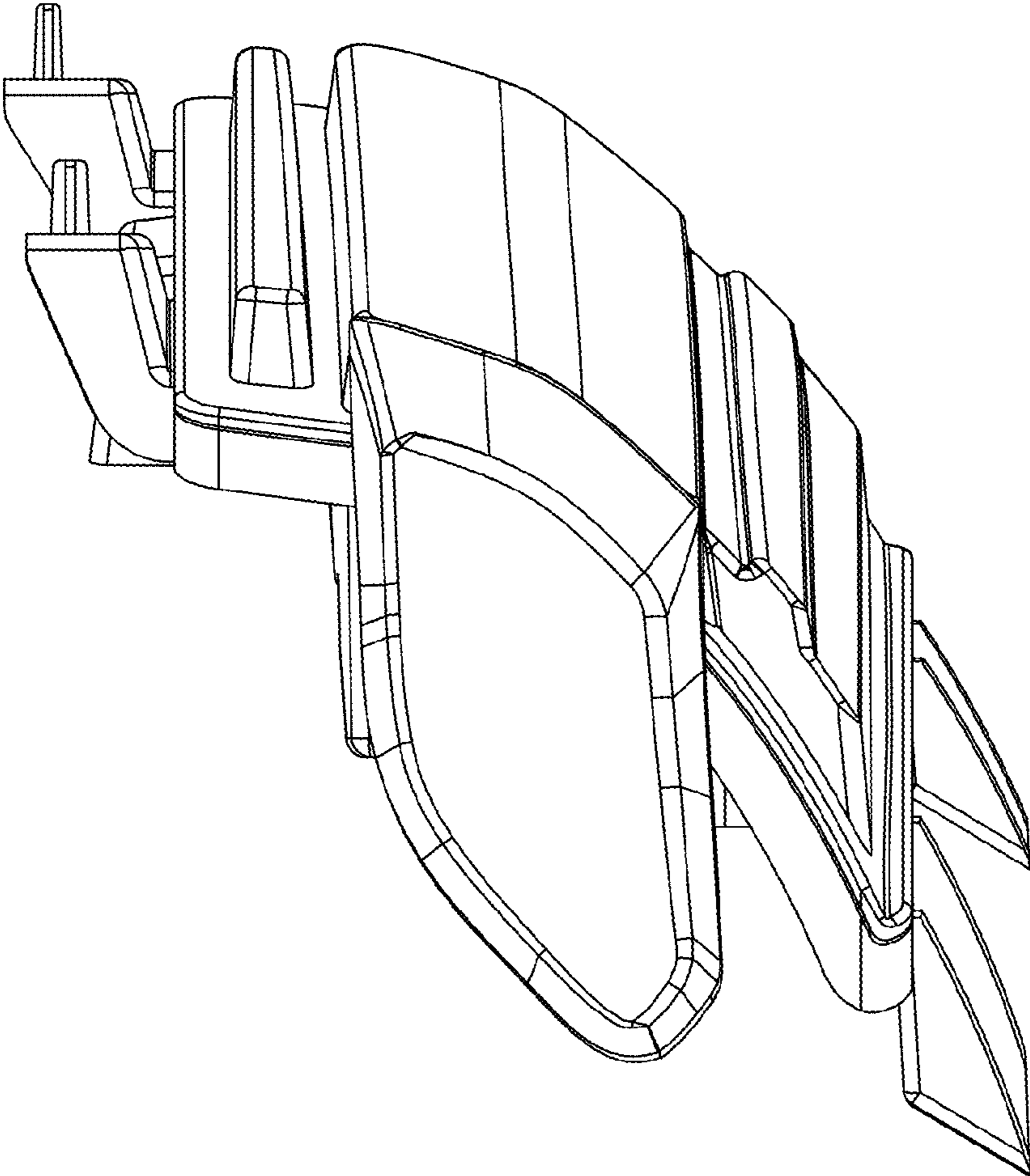


FIG. 6

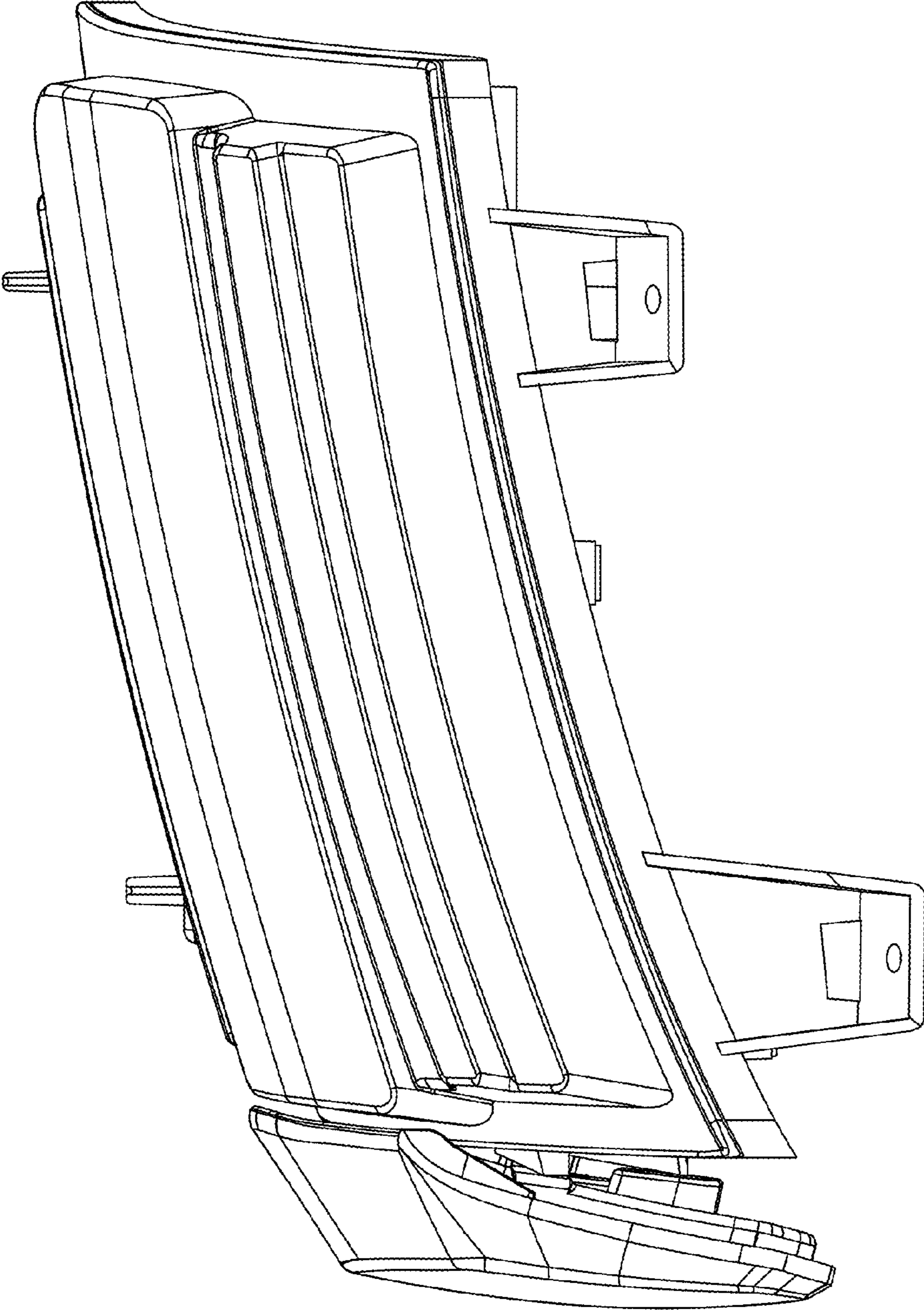


FIG. 7

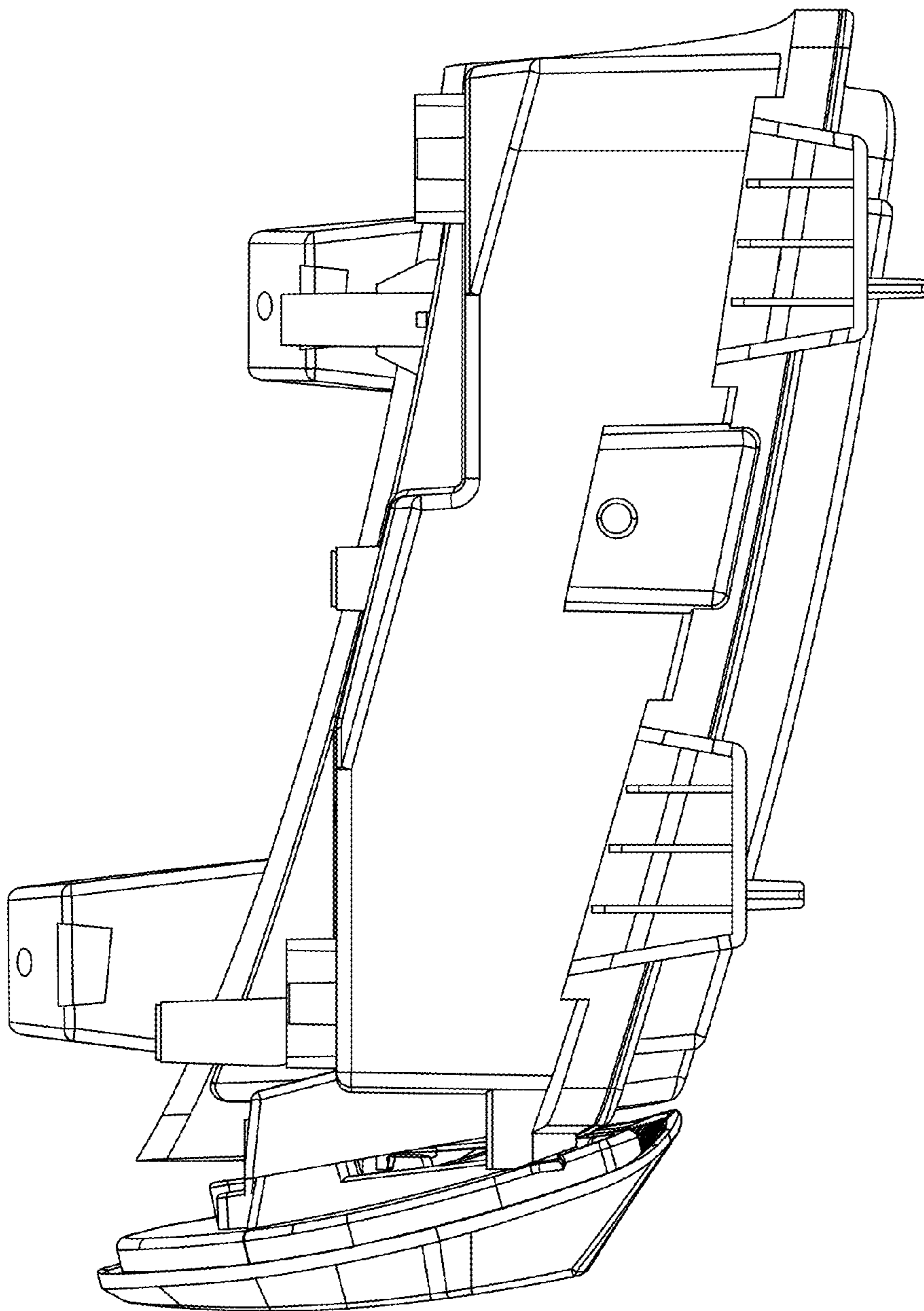


FIG. 8