

US00D942647S

(12) **United States Design Patent** (10) **Patent No.:** **US D942,647 S**  
**Ferris** (45) **Date of Patent:** **\*\* Feb. 1, 2022**

(54) **RAILING FOR A PATIO DECK**  
(71) Applicant: **Deck Rail Solutions, LLC**, Blue Grass, IA (US)  
(72) Inventor: **Ken Ferris**, Blue Grass, IA (US)  
(\*\*) Term: **15 Years**  
(21) Appl. No.: **29/661,547**  
(22) Filed: **Aug. 28, 2018**  
(51) **LOC (13) Cl.** ..... **25-01**  
(52) **U.S. Cl.**  
USPC ..... **D25/124**  
(58) **Field of Classification Search**  
USPC ..... D25/35, 38.1, 41.1, 42, 43, 44, 119–124  
CPC ..... E04F 11/00; E04F 11/18; E04F 11/1802;  
E04F 11/181; E04F 11/1836; E04F  
11/1838; E04F 11/184; E04F 11/1842;  
E04F 11/1865; E04H 17/14; E04H  
17/1417; E04H 17/1421; E04H  
2017/1452  
See application file for complete search history.

(56) **References Cited**  
U.S. PATENT DOCUMENTS  
D293,718 S \* 1/1988 Poma ..... D25/122  
D412,142 S \* 7/1999 Dickie ..... D25/122  
D412,584 S \* 8/1999 Shira ..... D25/61  
D482,552 S \* 11/2003 Campbell ..... D25/121  
D509,906 S \* 9/2005 Enersen ..... D25/38.1  
D551,775 S \* 9/2007 McGinness ..... D25/38.1

D560,002 S \* 1/2008 Bergmann ..... D25/124  
D613,421 S \* 4/2010 Wang ..... D25/38.1  
D799,064 S \* 10/2017 Shearer ..... D25/119  
D852,380 S \* 6/2019 Springborn ..... D25/38.1  
D915,282 S \* 4/2021 Steininger ..... D25/124  
D915,283 S \* 4/2021 Steininger ..... D25/124  
D915,284 S \* 4/2021 Steininger ..... D25/124  
2010/0078614 A1 \* 4/2010 Graber ..... E04F 11/1836  
256/65.08  
2010/0237309 A1 \* 9/2010 Ferris ..... E04F 11/1842  
256/65.01  
2014/0332743 A1 \* 11/2014 Walker ..... E04F 11/1842  
256/64

\* cited by examiner

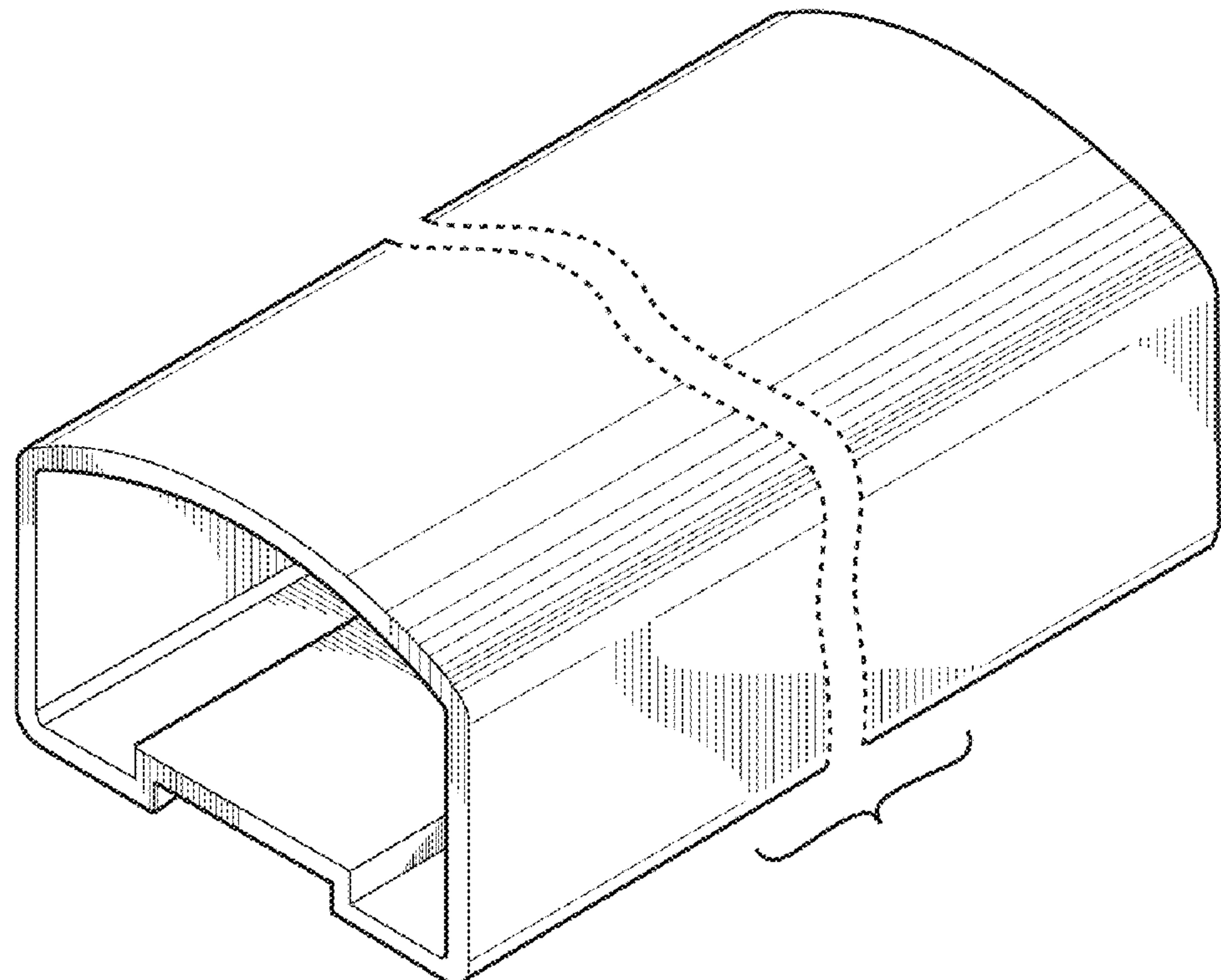
*Primary Examiner* — Llorelys Martinez

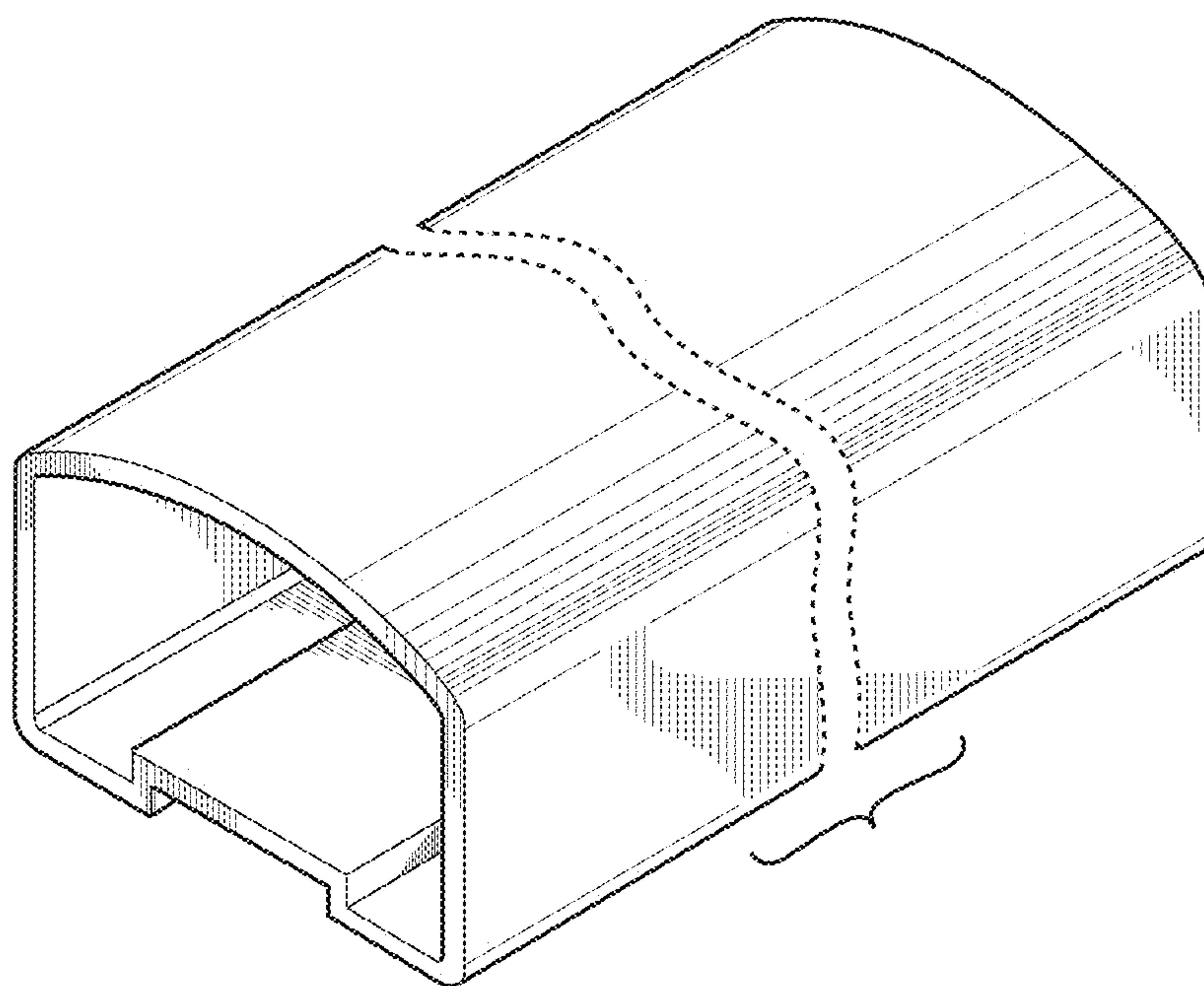
(57) **CLAIM**  
The ornamental design for a railing for a patio deck, as shown and described.

**DESCRIPTION**

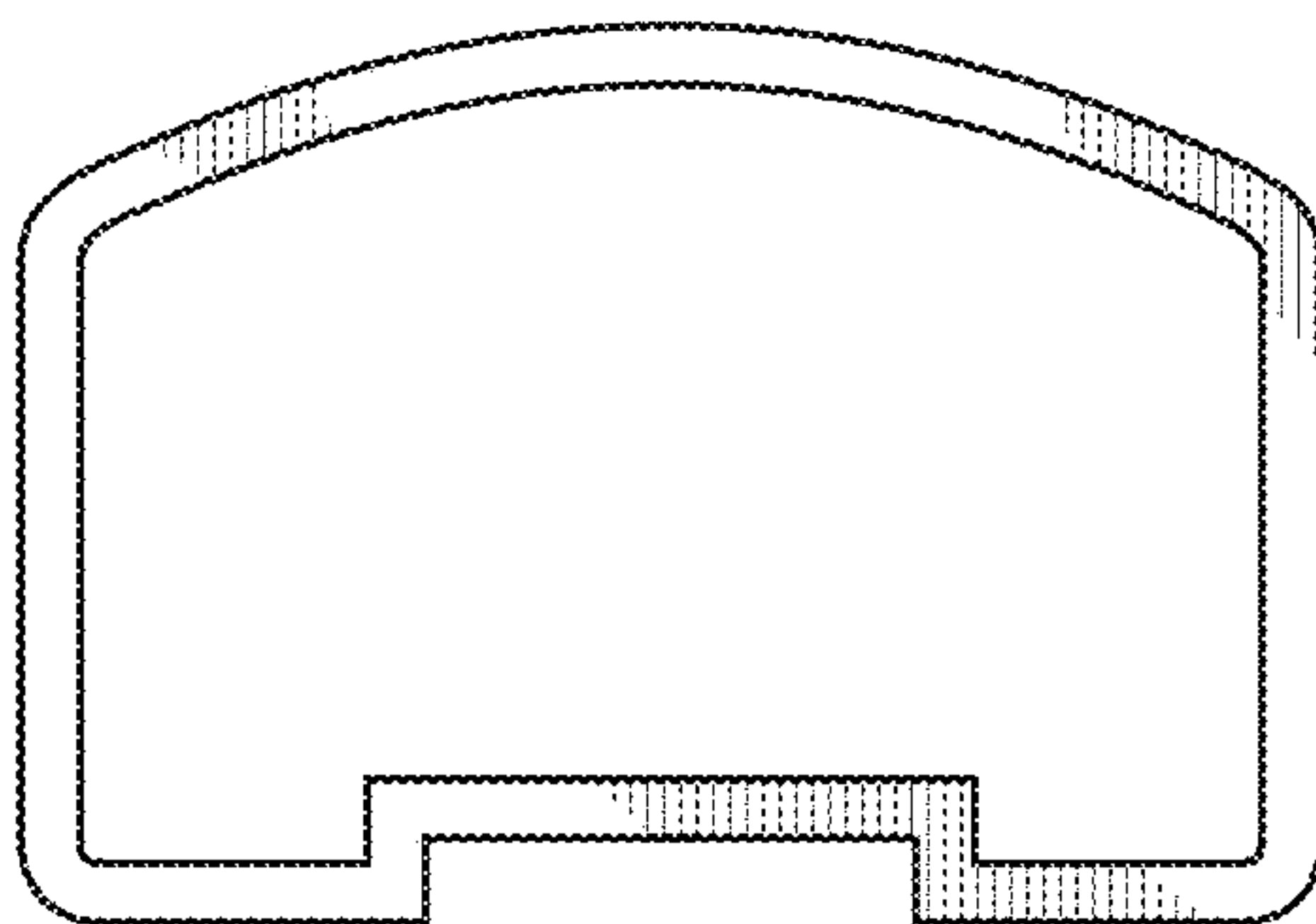
FIG. 1 is a top, front and side perspective view of a railing for a patio deck showing my new design.  
FIG. 2 is a front elevation view for the railing for a patio deck.  
FIG. 3 is a left side view of the railing for a patio deck.  
FIG. 4 is a top plan view of the railing for a patio deck; and, FIG. 5 is a bottom plan view of the railing for a patio deck. The railing for a patio deck is shown with a symbolic break in its length. The appearance of any portion of the railing for a patio deck between the break lines forms no part of the claimed design.

**1 Claim, 3 Drawing Sheets**

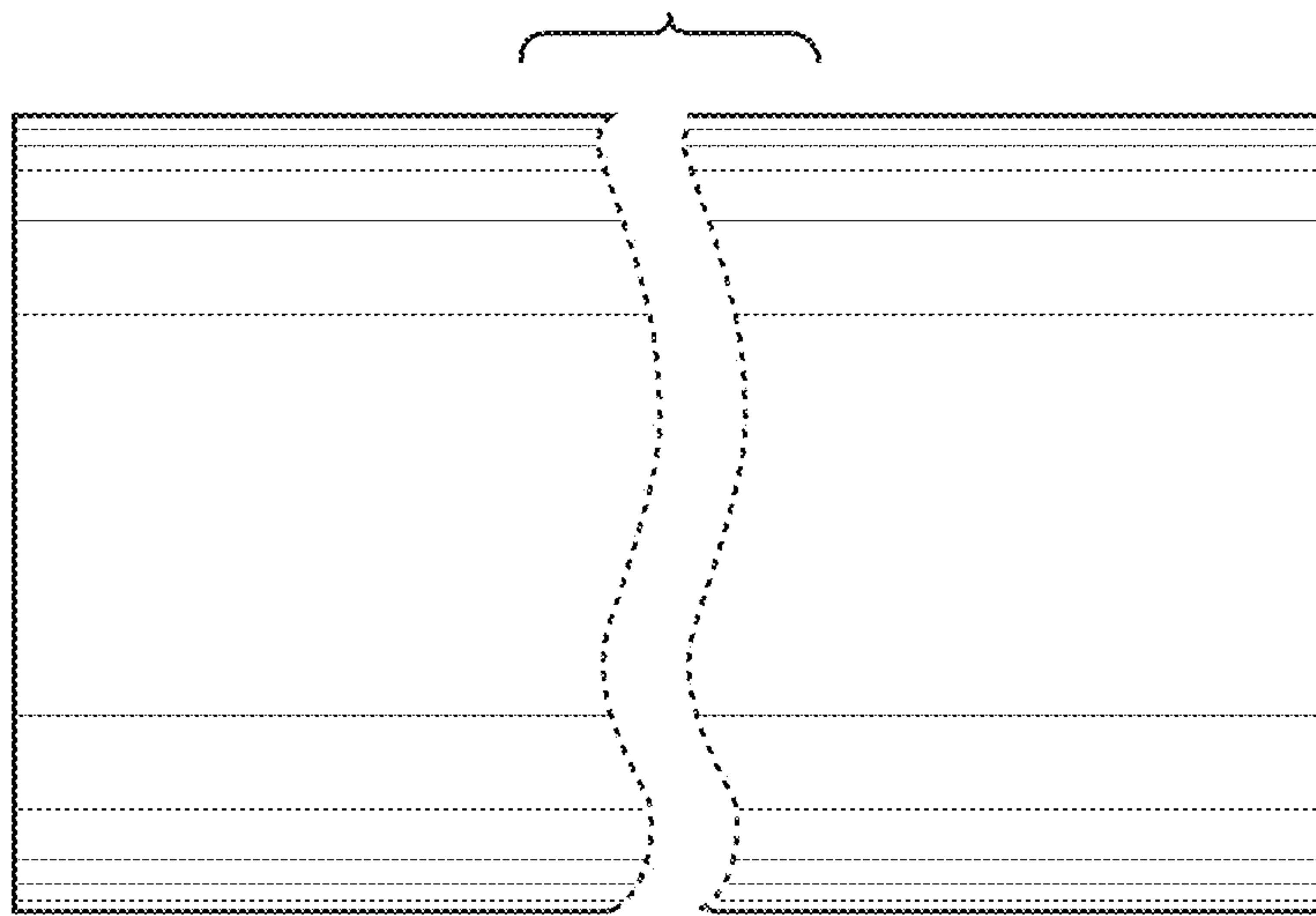




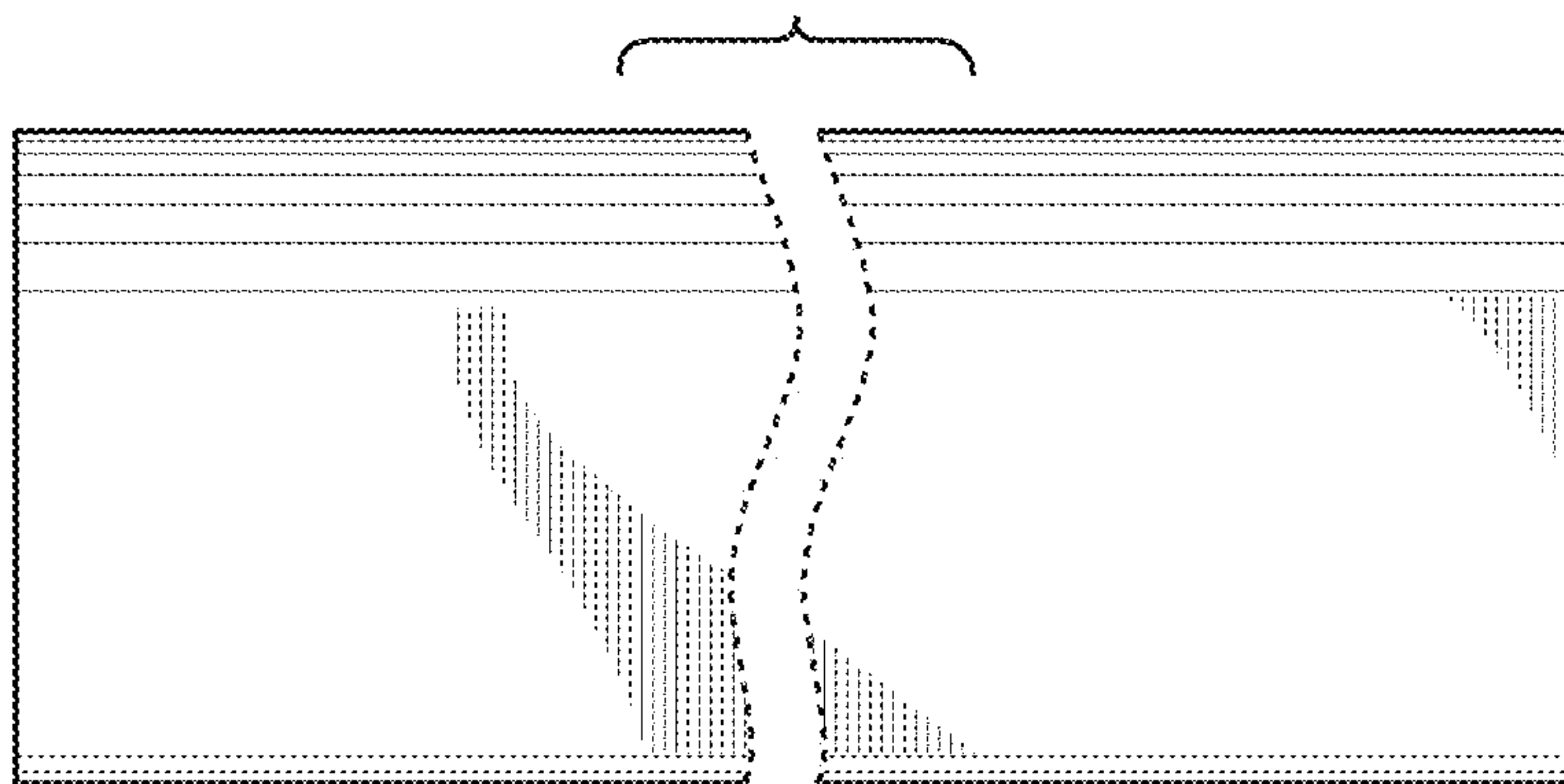
*Fig. 1*



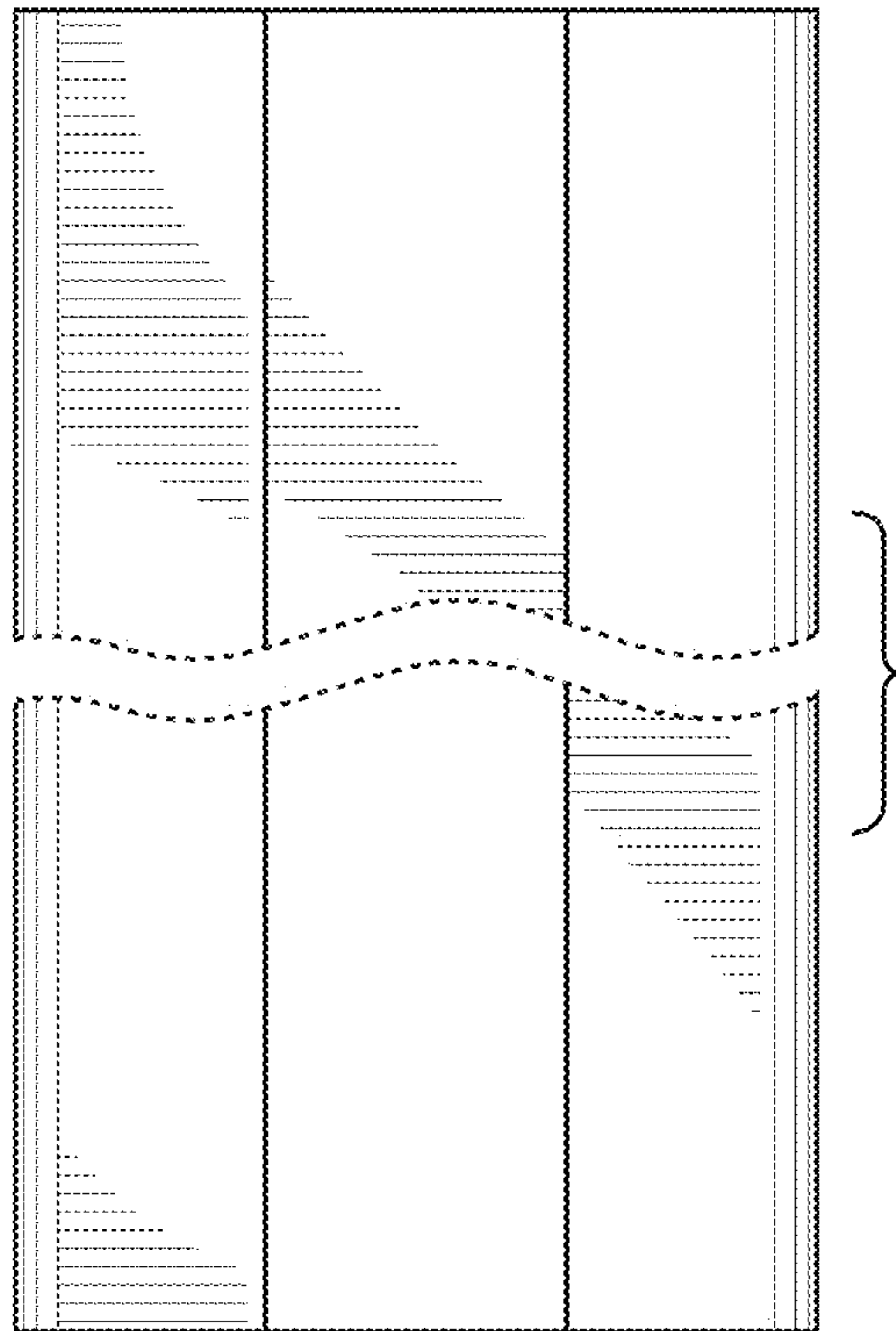
*Fig. 2*



**Fig. 3**



**Fig. 4**



***Fig. 5***