



US00D942645S

(12) **United States Design Patent** (10) **Patent No.:** **US D942,645 S**
Kang et al. (45) **Date of Patent:** **** Feb. 1, 2022**

(54) **MEDICAL DEVICE PACKAGE**

(71) Applicant: **Hollister Incorporated**, Libertyville, IL (US)

(72) Inventors: **Seoyun Kang**, Chicago, IL (US);
Ondrea Kassarian, Libertyville, IL (US); **Gregory J. Czaplewski**, Glendale Heights, IL (US)

(73) Assignee: **Hollister Incorporated**, Libertyville, IL (US)

(**) Term: **15 Years**

(21) Appl. No.: **29/674,513**

(22) Filed: **Dec. 21, 2018**

(51) **LOC (13) Cl.** **09-03**

(52) **U.S. Cl.**
USPC **D24/227**; D9/420; D9/424

(58) **Field of Classification Search**
USPC D24/131, 227; D9/415, 416, 417, 418,
D9/419, 414, 420, 424, 430, 431-433,
D9/457, 346, 732, 703

(Continued)

(56) **References Cited**

U.S. PATENT DOCUMENTS

D316,515 S 4/1991 Walsh et al.
5,220,999 A 6/1993 Goulette

(Continued)

FOREIGN PATENT DOCUMENTS

EM 000409552-0002 5/2006
EM 002491035-0002 5/2014

(Continued)

Primary Examiner — Nathan M Johnston

(74) *Attorney, Agent, or Firm* — Cook Alex Ltd.

(57) **CLAIM**

The ornamental design for a medical device package, as shown and described.

DESCRIPTION

FIG. 1 is a perspective view of a medical device package in an open configuration, showing the new design.

FIG. 2 is a front elevational view of the medical device package of FIG. 1.

FIG. 3 is a rear elevational view of the medical device package of FIG. 1.

FIG. 4 is a right side elevational view of the medical device package of FIG. 1.

FIG. 5 is a left side elevational view of the medical device package of FIG. 1.

FIG. 6 is a top plan view of the medical device package of FIG. 1.

FIG. 7 is a bottom plan view of the medical device package of FIG. 1.

FIG. 8 is a perspective view of the medical device package of FIG. 1 in a closed configuration.

FIG. 9 is a front elevational view of the medical device package of FIG. 1 in a closed configuration.

FIG. 10 is a rear elevational view of the medical device package of FIG. 1 in a closed configuration.

FIG. 11 is a right side elevational view of the medical device package of FIG. 1 in a closed configuration.

FIG. 12 is a left side elevational view of the medical device package of FIG. 1 in a closed configuration.

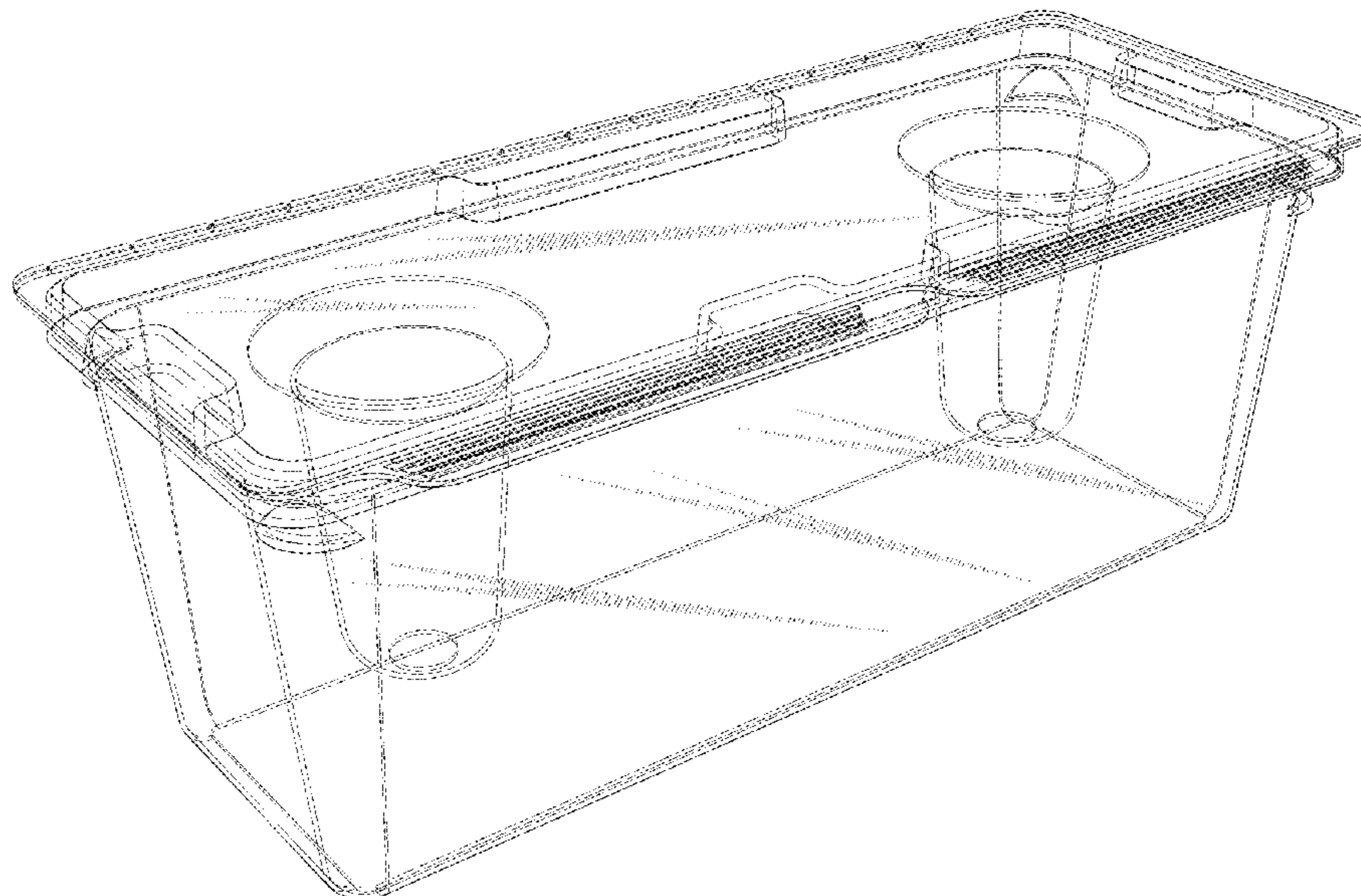
FIG. 13 is a top plan view of the medical device package of FIG. 1 in a closed configuration.

FIG. 14 is a bottom plan view of the medical device package of FIG. 1 in a closed configuration; and,

FIG. 15 is a front elevational view of two medical packages of FIG. 8 shown in a stacked configuration.

The broken lines showing parts of the drawings are included for the purpose of depicting use and environment and form no part of the claimed design.

1 Claim, 14 Drawing Sheets



(58) **Field of Classification Search**

CPC A61M 5/002; A61M 5/3202; A61M 5/001;
 A61M 5/00; A61M 5/32; B65D 43/0202;
 B65D 1/22; B65D 25/108; B65D
 77/2024; B65D 83/00; B65B 7/2878;
 B65B 55/10; B65B 55/18

See application file for complete search history.

(56) **References Cited**

U.S. PATENT DOCUMENTS

D411,448 S * 6/1999 Baker D9/415
 D452,628 S 1/2002 Stauffer
 D483,664 S * 12/2003 Cadiente D9/418
 D505,840 S * 6/2005 Schultz D7/629
 D521,812 S * 5/2006 Kim D7/629
 D546,632 S * 7/2007 Oberloier D7/629
 D548,537 S 8/2007 Liu
 D550,503 S 9/2007 Liu
 D587,993 S * 3/2009 Vovan D9/416
 D589,759 S * 4/2009 Ozery D7/629
 D592,049 S * 5/2009 Doliwa D7/629
 D592,076 S 5/2009 Sipe et al.
 D596,935 S 7/2009 Golota et al.
 D598,740 S * 8/2009 Auer D9/424
 D611,807 S * 3/2010 Miga, Jr. D9/424

D649,033 S * 11/2011 Epstein D9/425
 D654,787 S * 2/2012 Kissner D9/420
 D664,425 S * 7/2012 Krupa D9/420
 D666,879 S 9/2012 Everson
 D671,373 S * 11/2012 Kimmel D7/629
 D692,297 S * 10/2013 Wintolders D9/431
 D694,616 S * 12/2013 Prevost D9/420
 D696,110 S * 12/2013 Bergbohm D9/424
 D756,770 S * 5/2016 Snedden D9/425
 D758,992 S 6/2016 Garrett et al.
 D766,715 S * 9/2016 Buck D9/432
 D796,948 S * 9/2017 Lam D9/423
 D803,701 S 11/2017 Sellari et al.
 D806,574 S 1/2018 Ozenne
 D837,647 S * 1/2019 Tamshe D9/420
 D840,803 S * 2/2019 Poorman D9/431
 D840,841 S * 2/2019 Appendini D9/759
 D845,754 S * 4/2019 Snedden D9/420
 D896,070 S * 9/2020 Guill D9/424
 D918,414 S * 5/2021 Madigan D24/227
 2014/0163496 A1 6/2014 Grum-Schwensen et al.

FOREIGN PATENT DOCUMENTS

EM 002491035-0003 5/2014
 EM 002764654-0002 9/2015

* cited by examiner

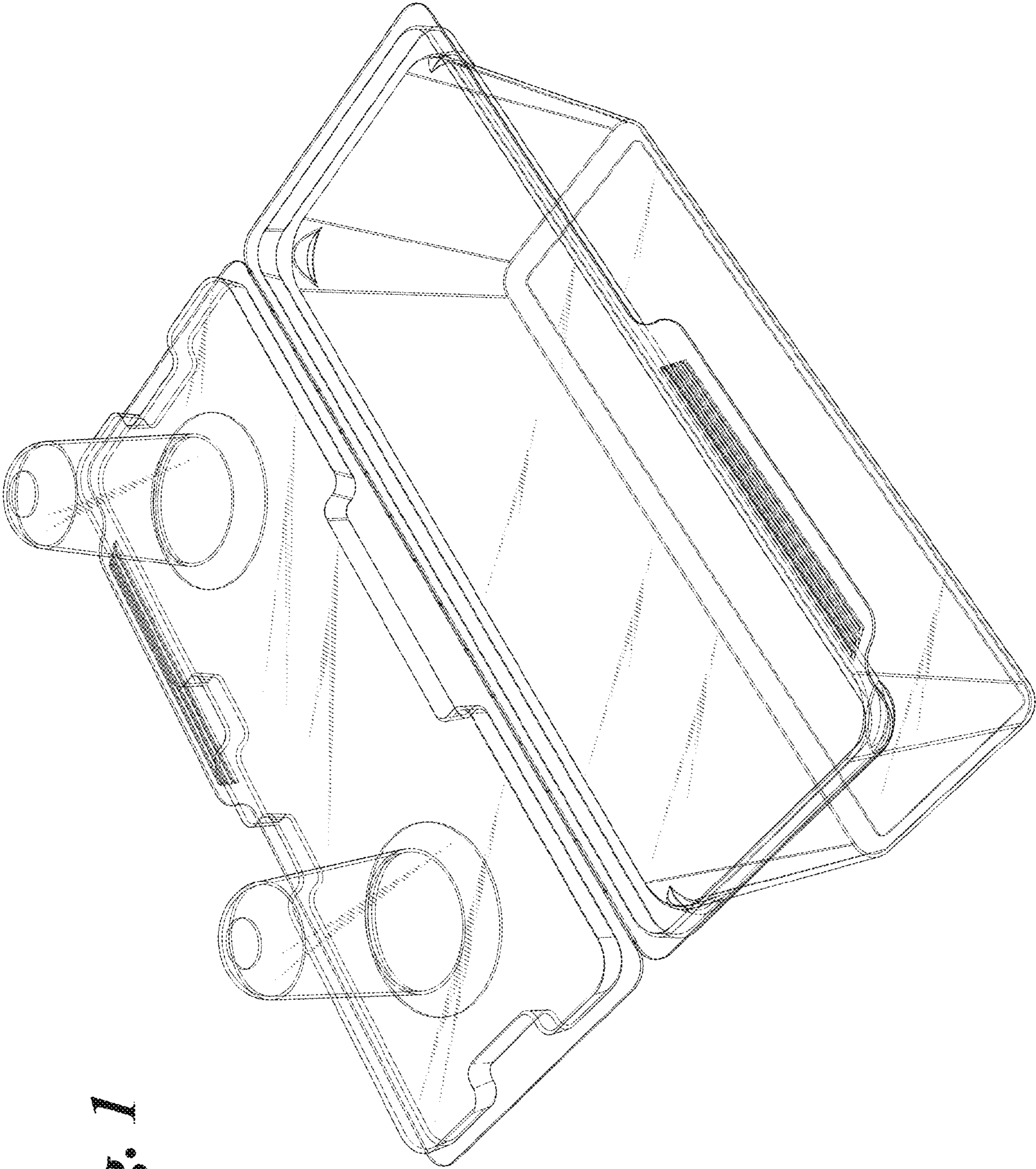


Fig. 1

Fig. 2

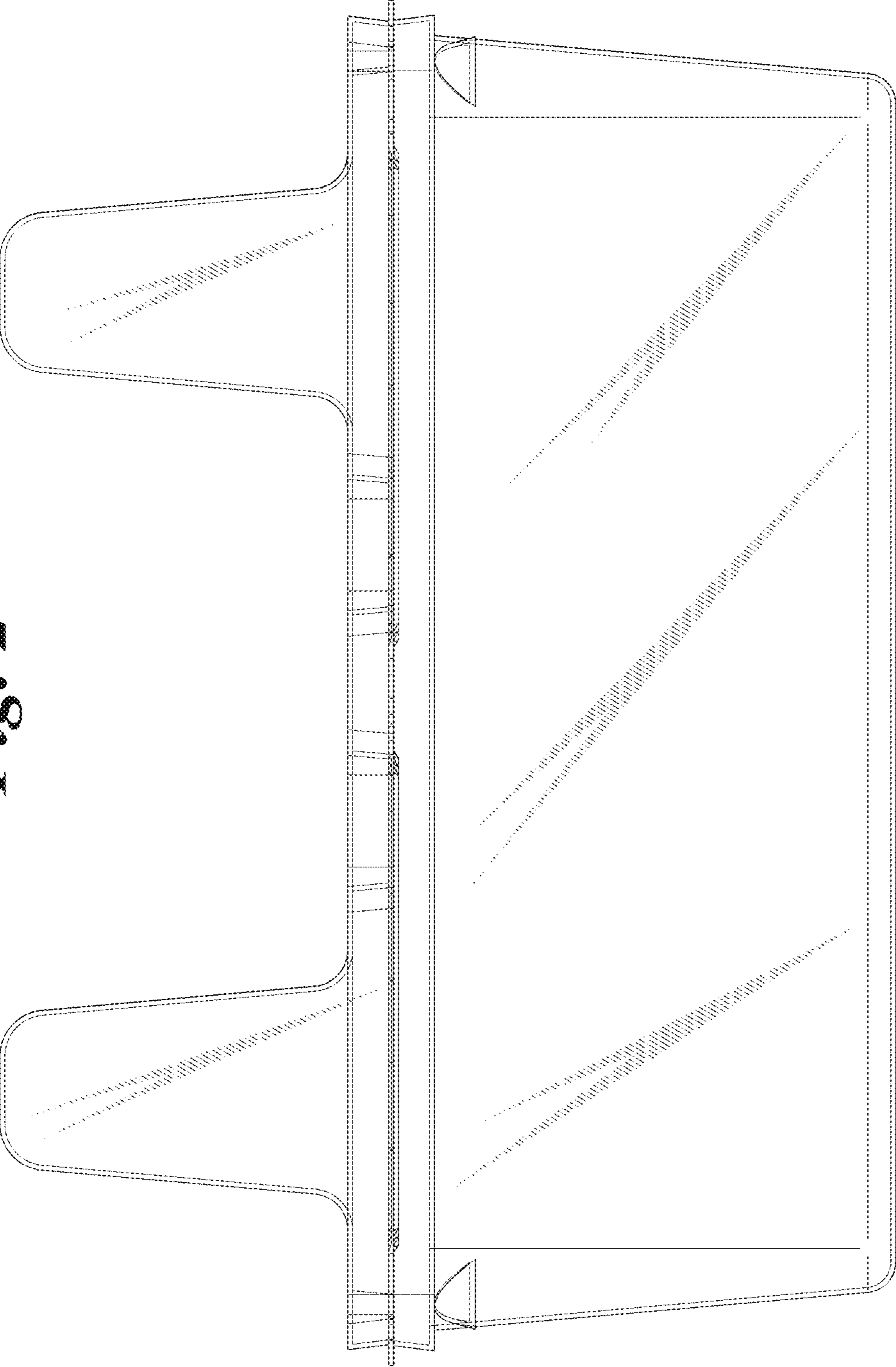


Fig. 3

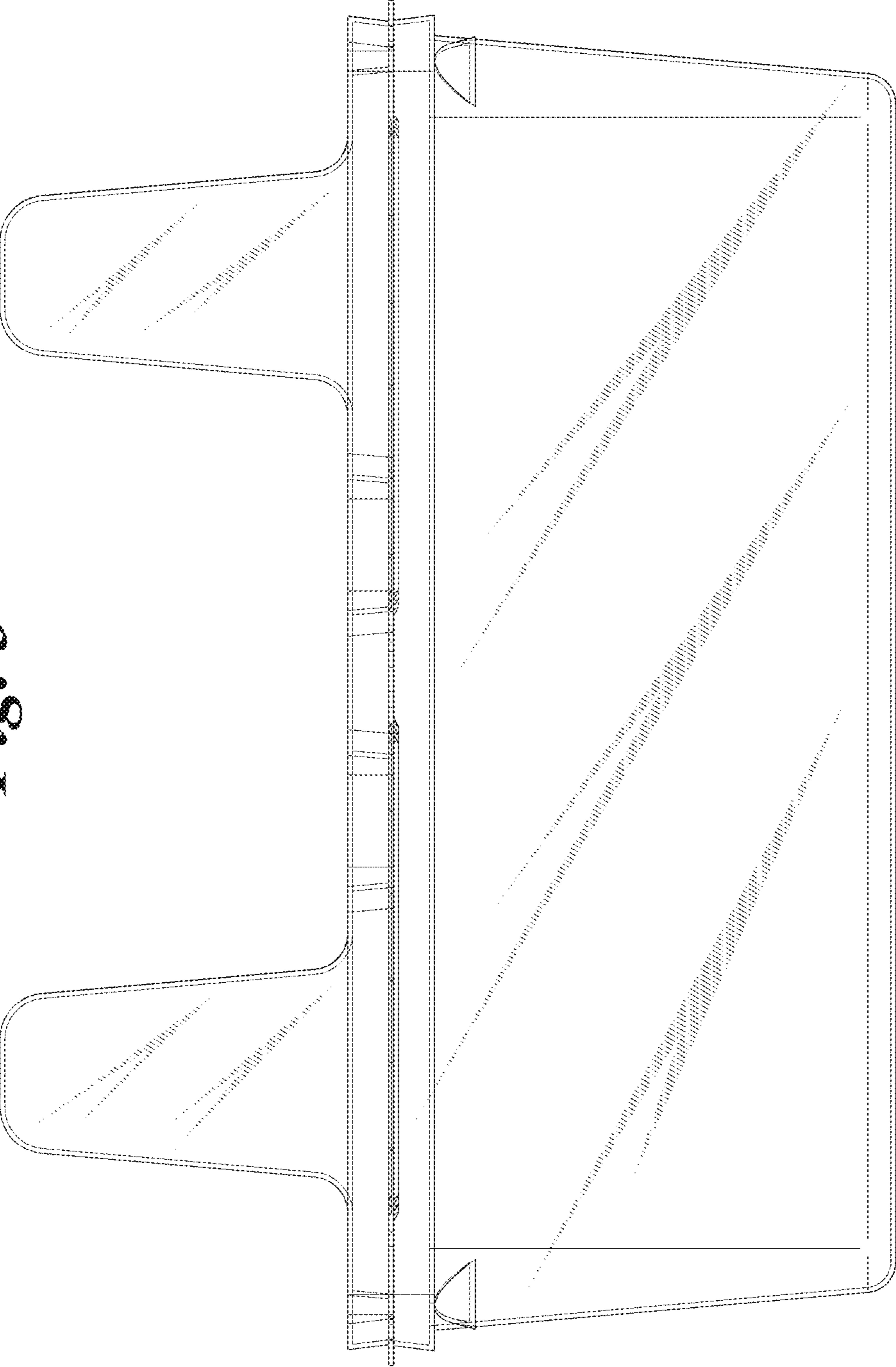


Fig. 4

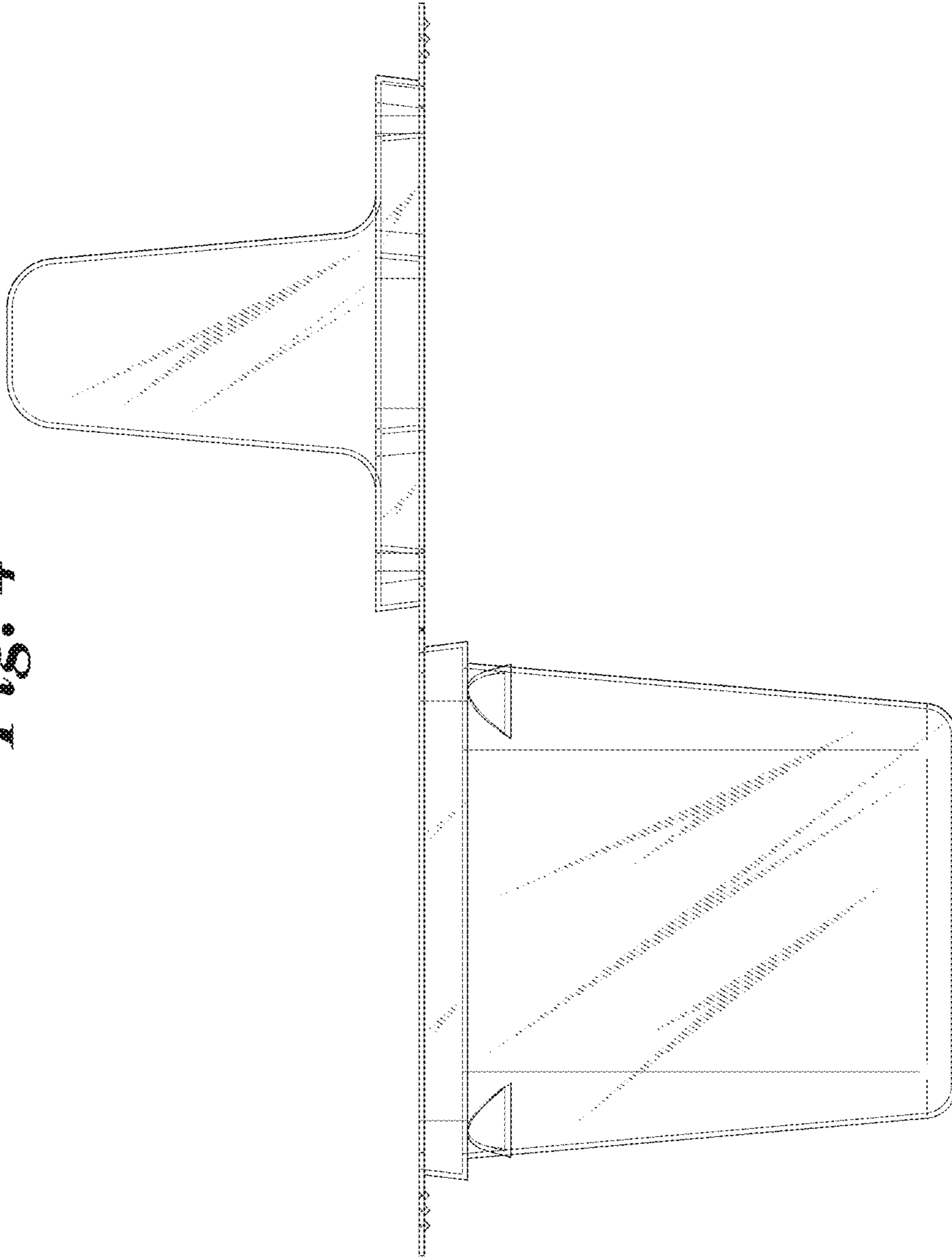
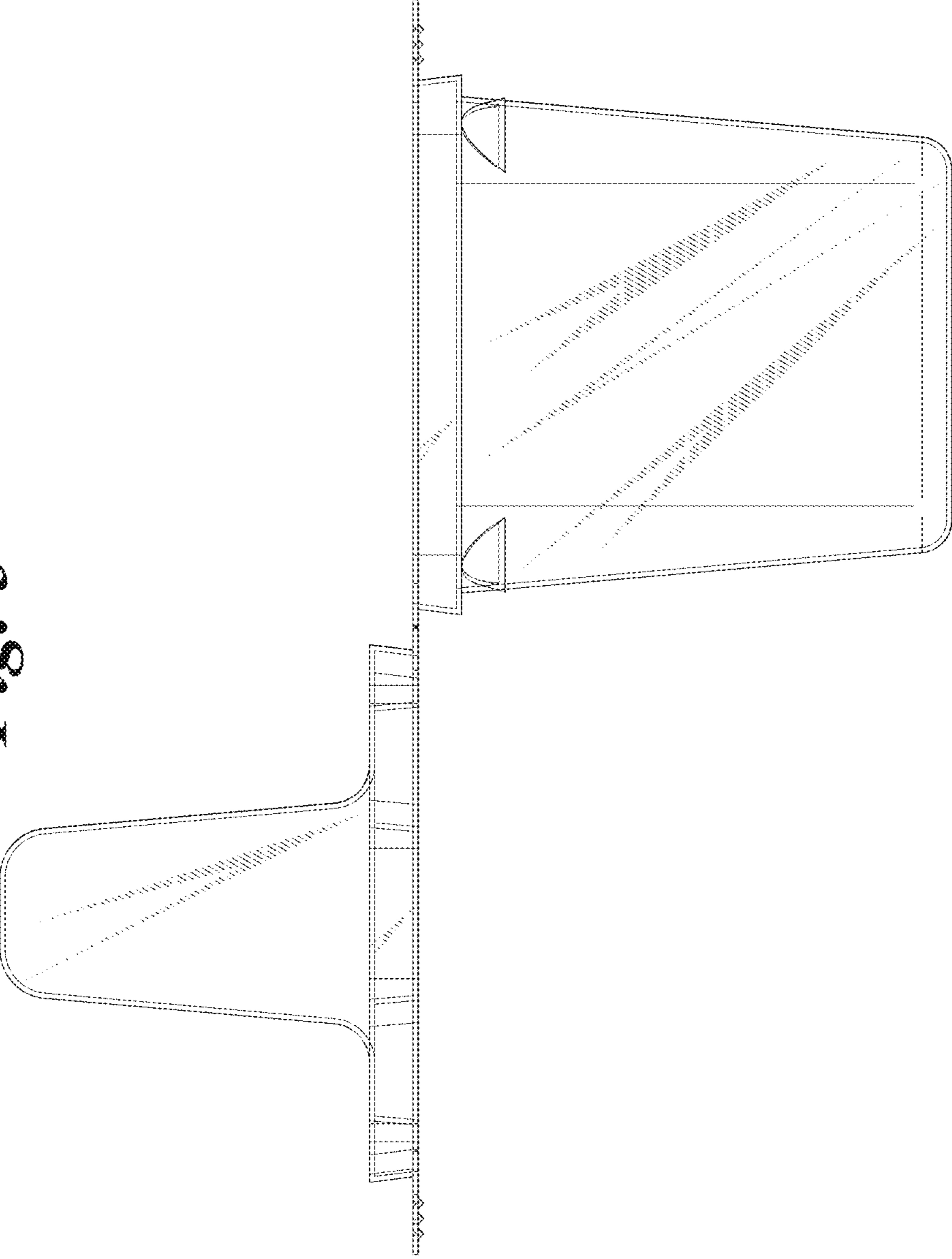


Fig. 5



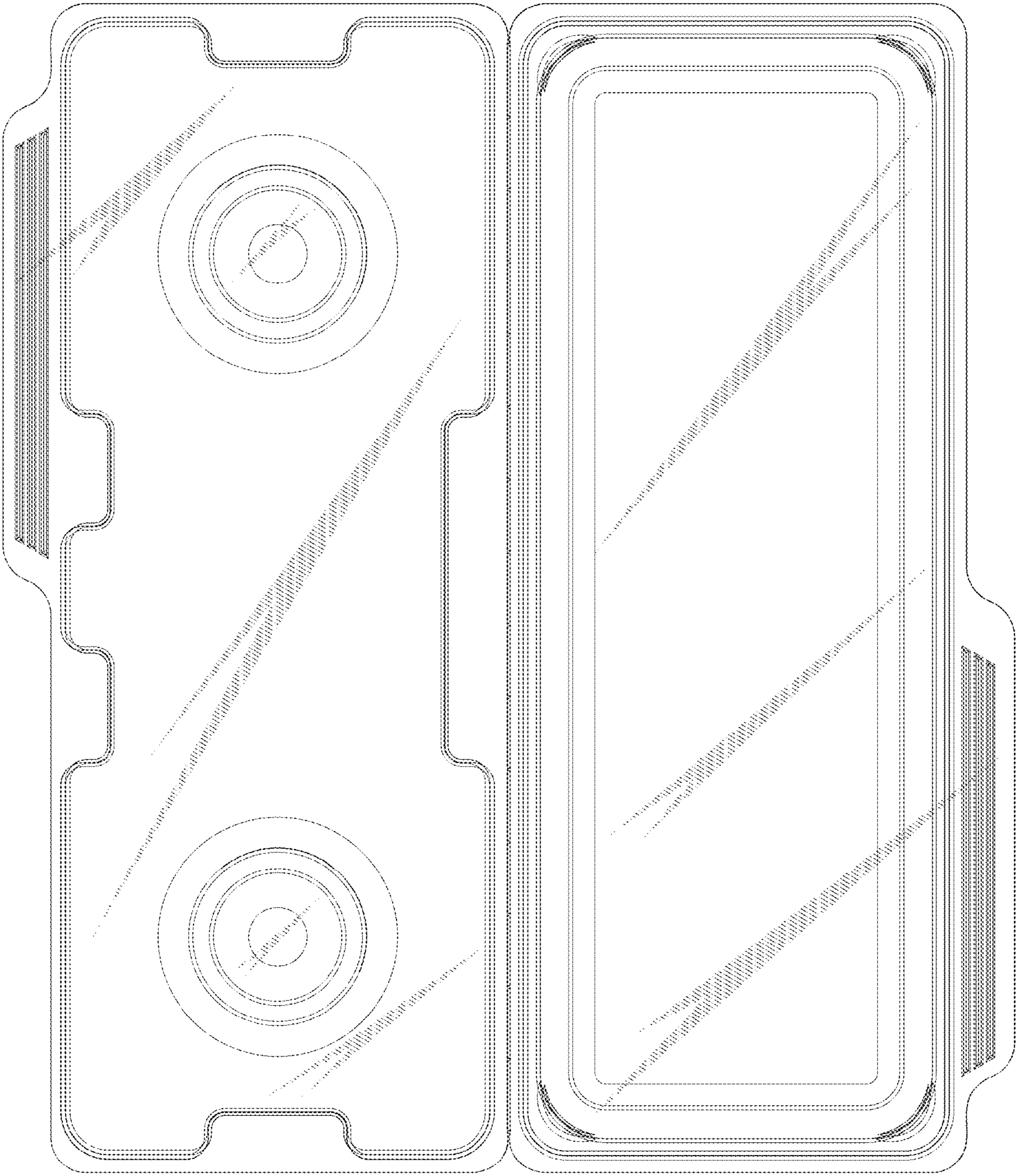


Fig. 6

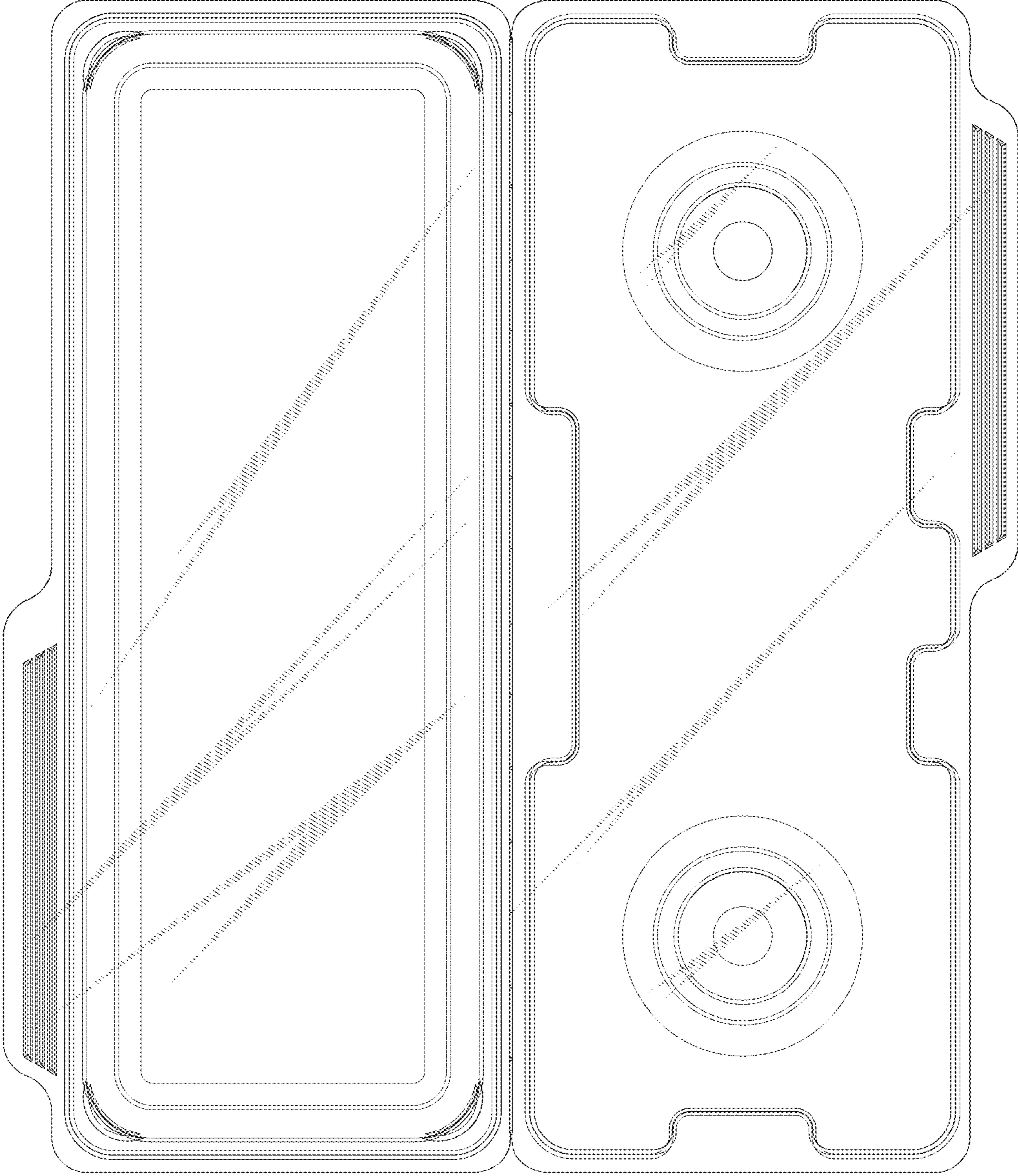


Fig. 7

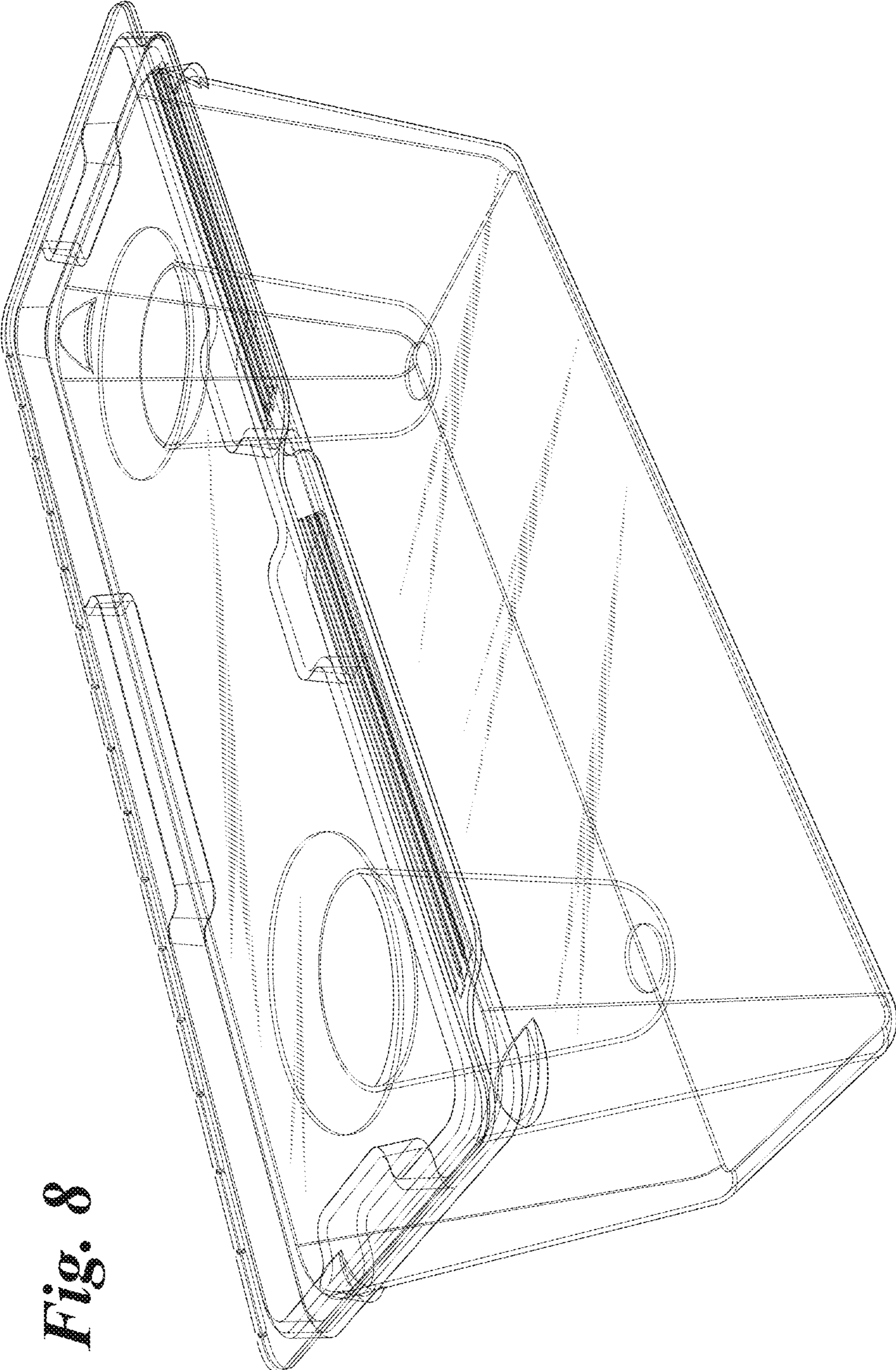


Fig. 8

Fig. 9

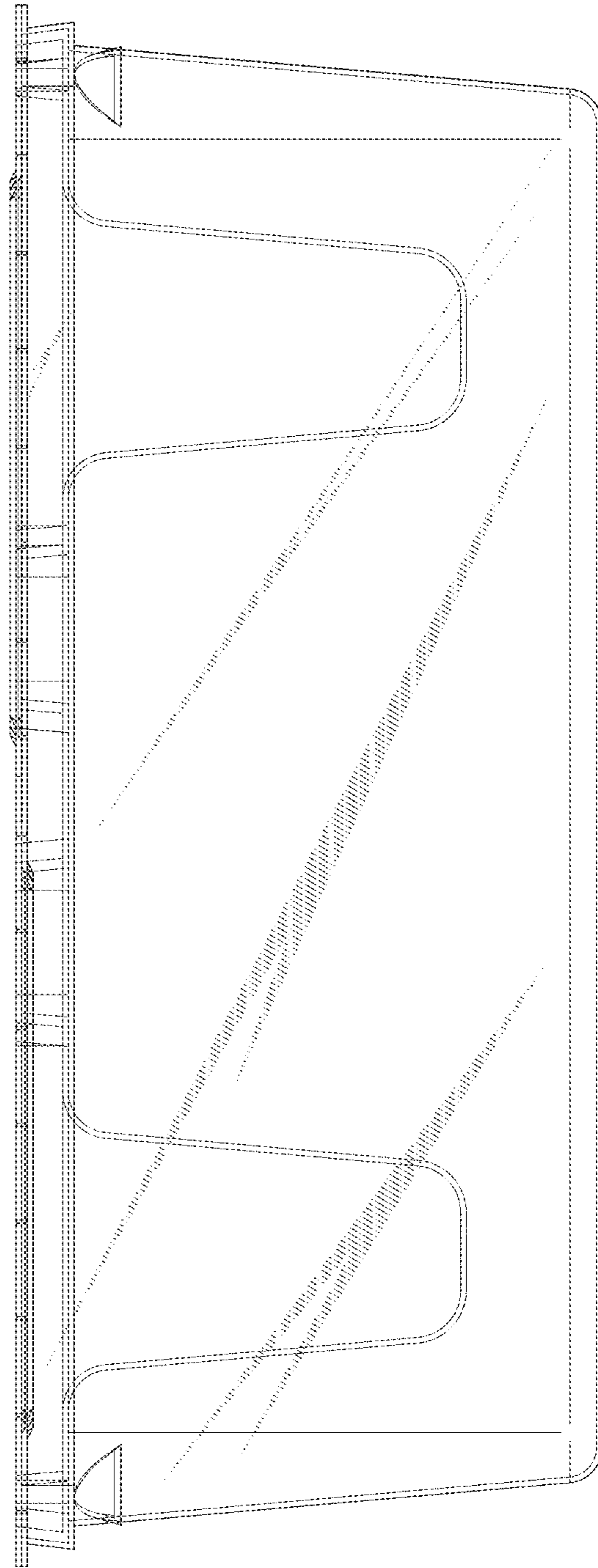


Fig. 10

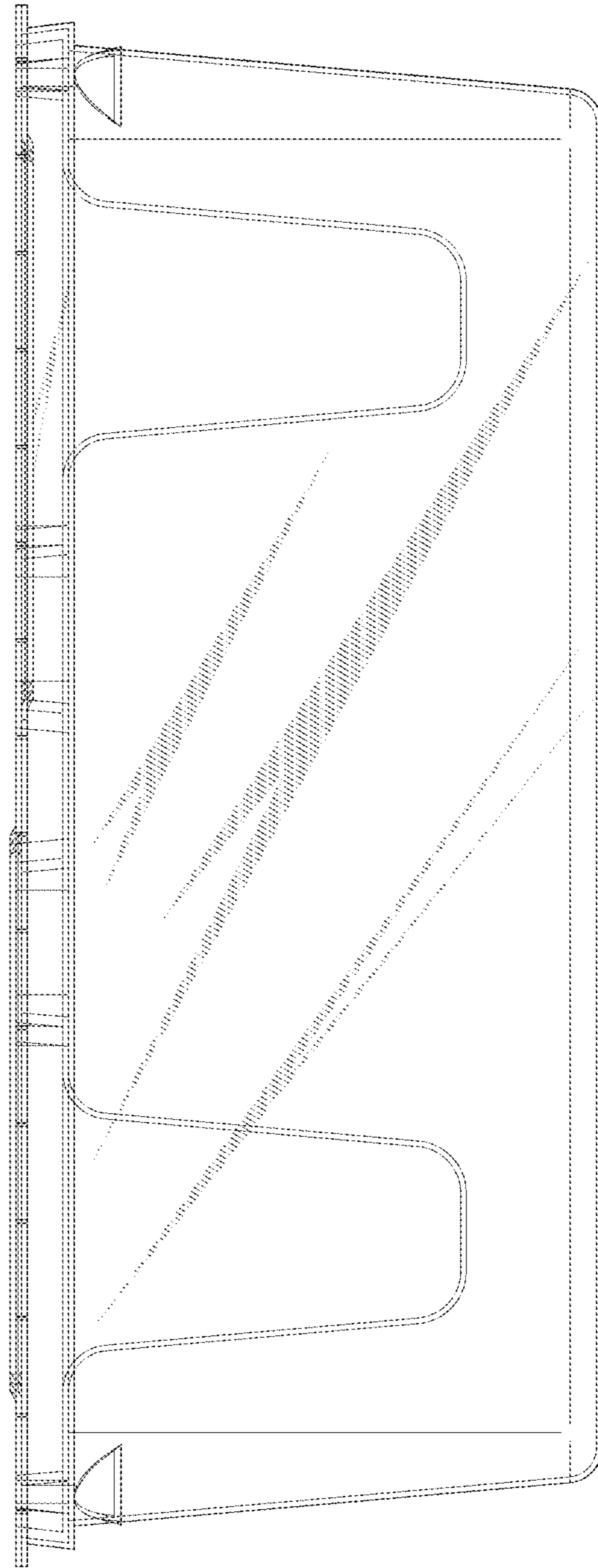


Fig. 12

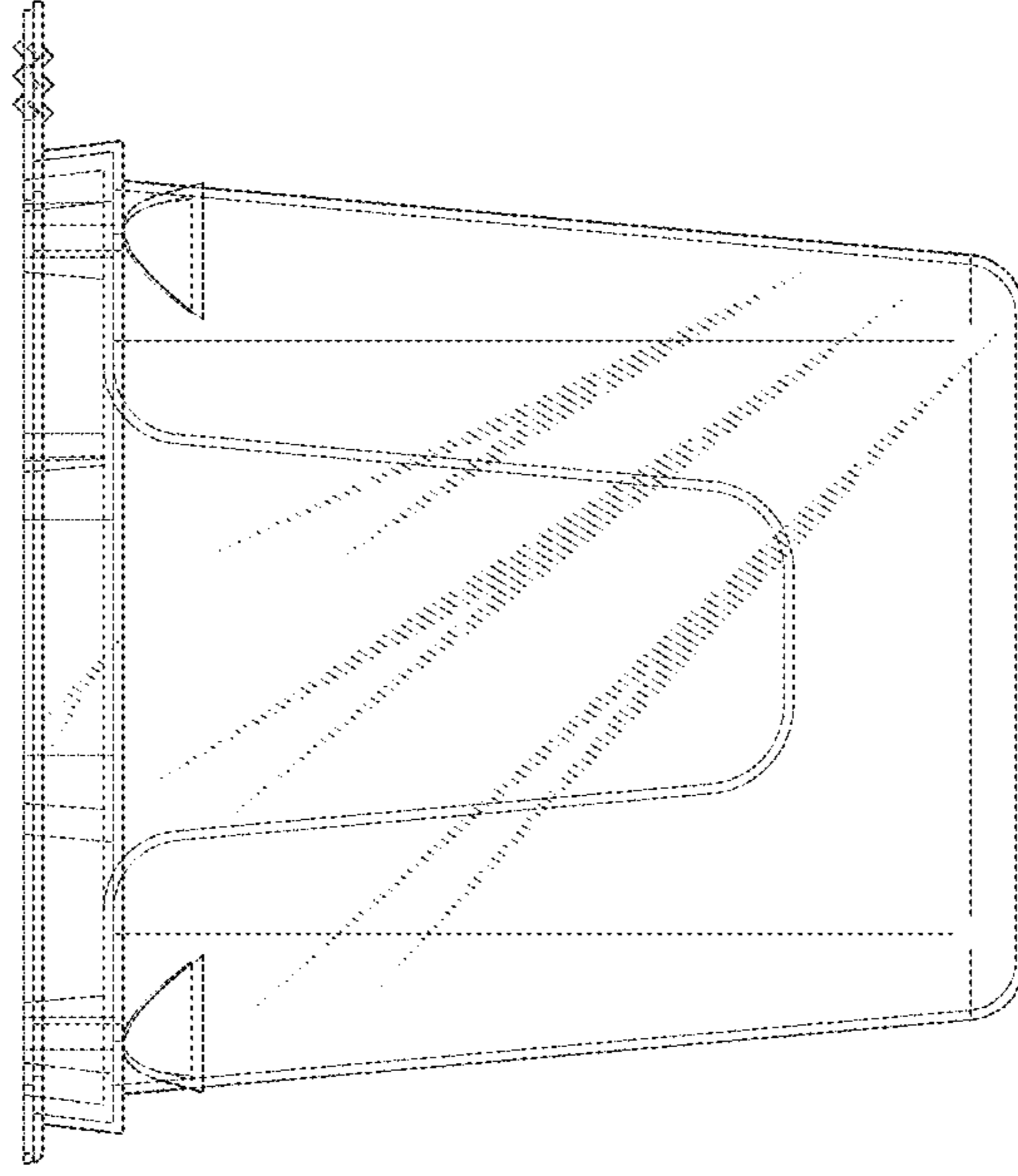


Fig. 11

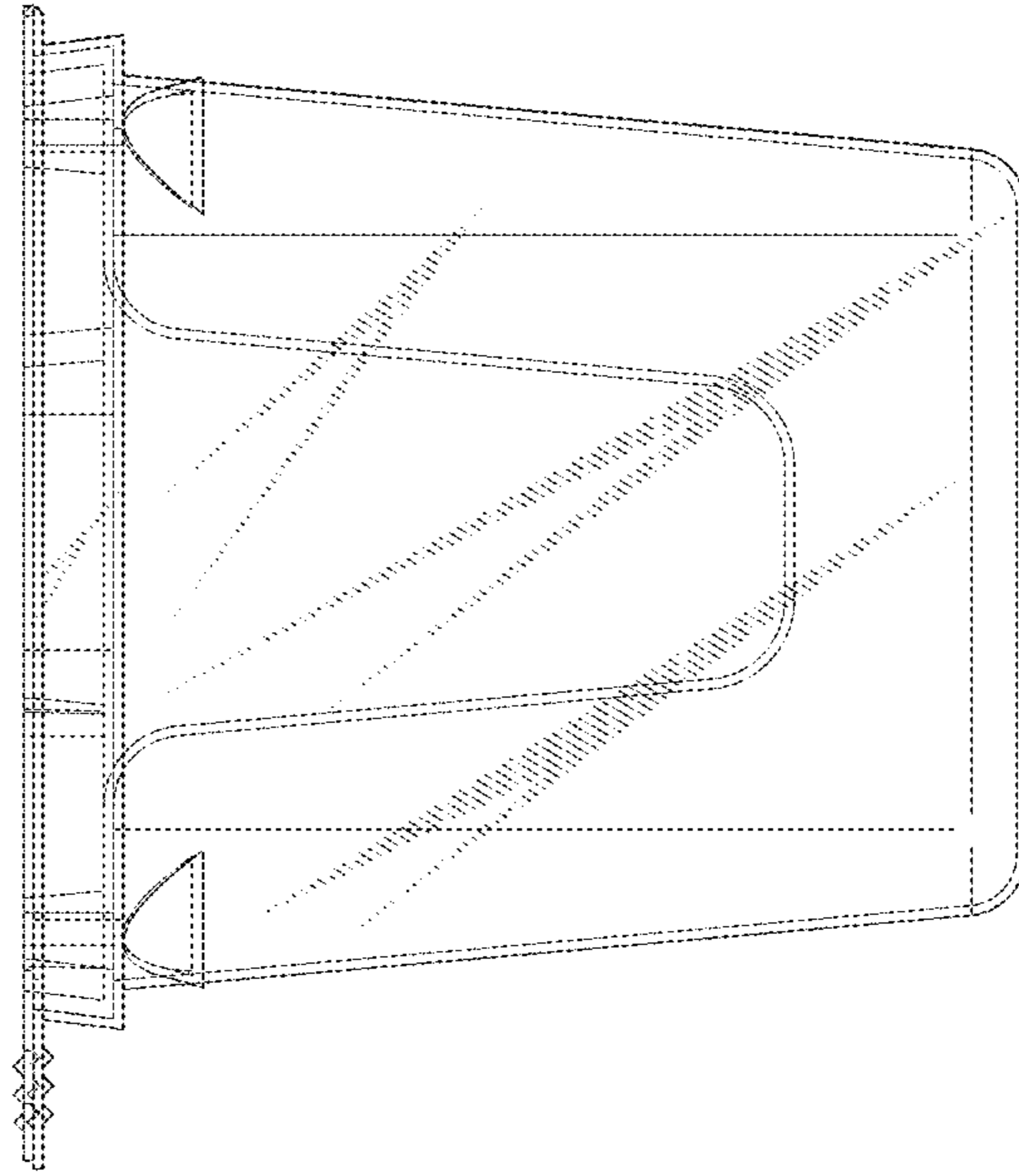


Fig. 13

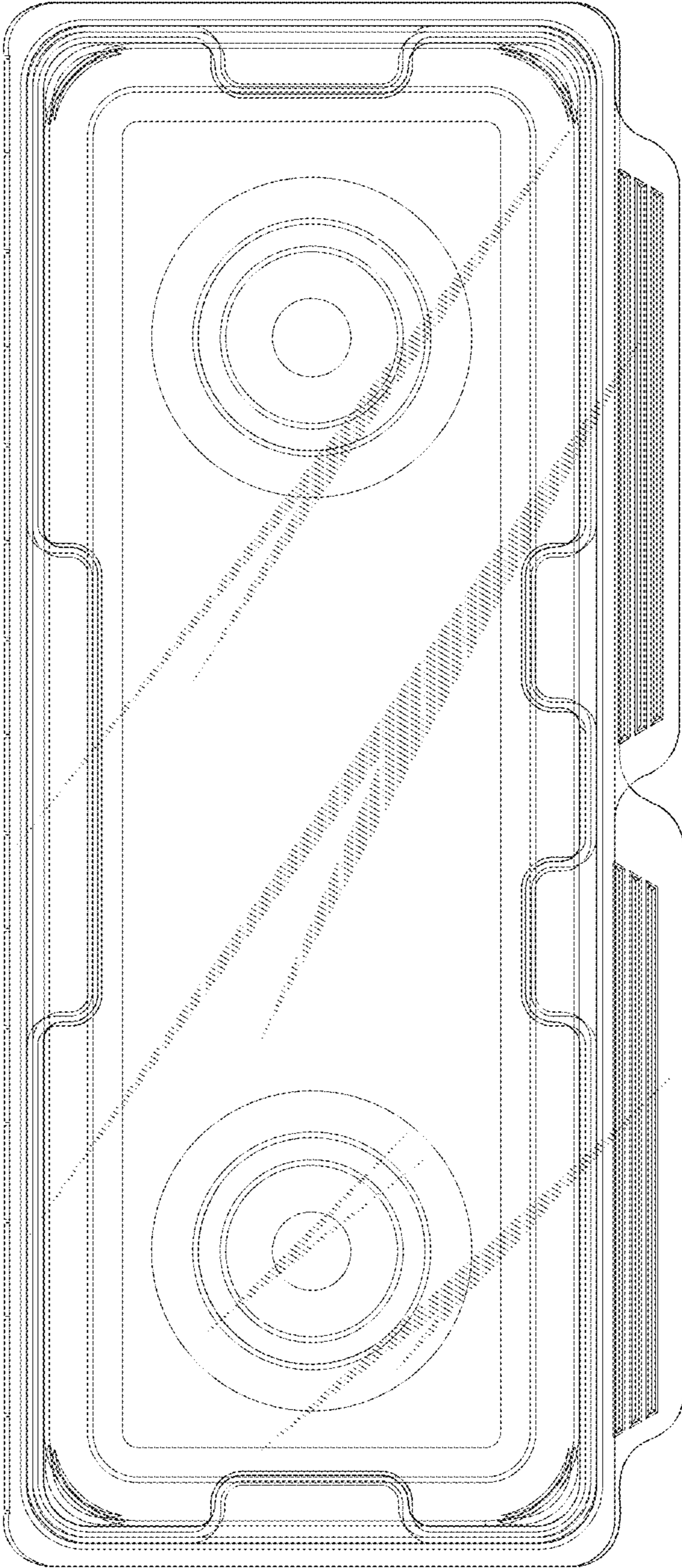


Fig. 14

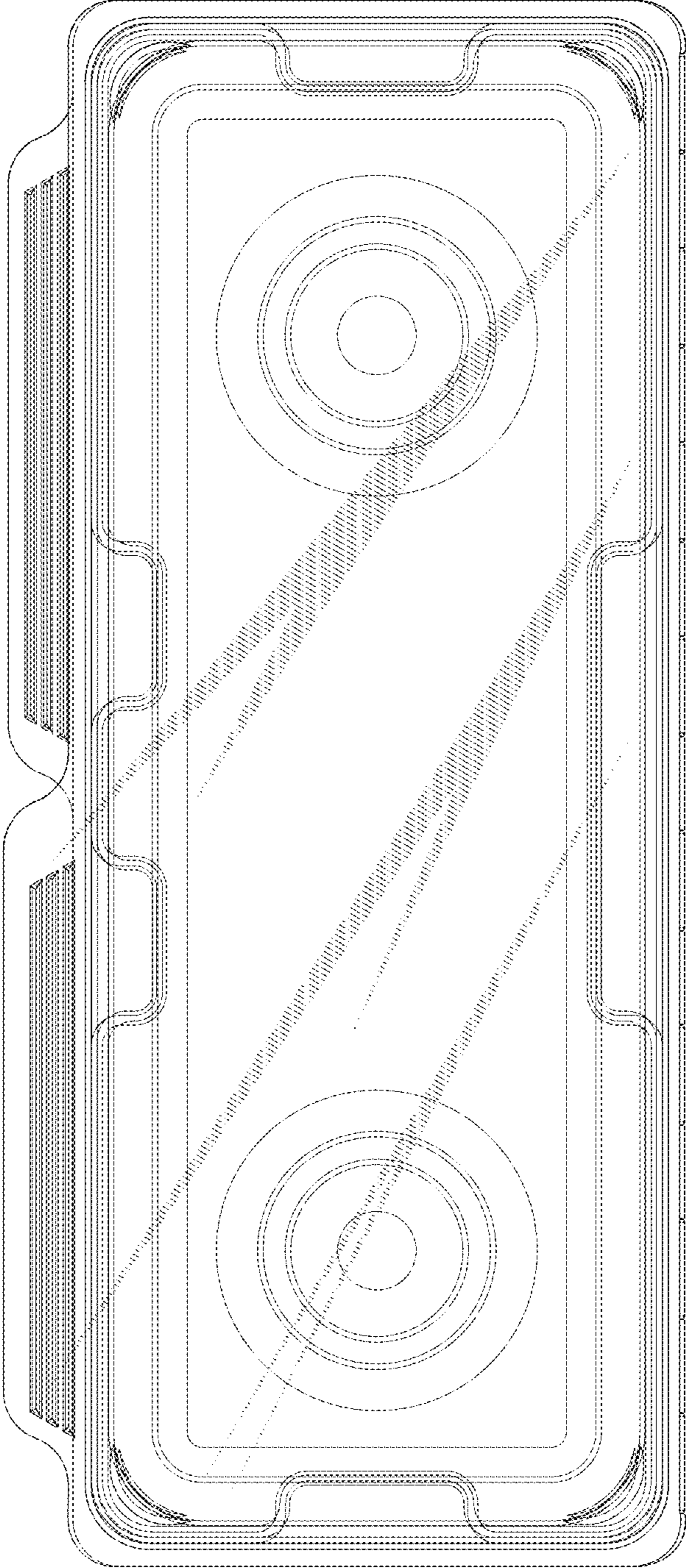


Fig. 15

