



US00D942643S

(12) **United States Design Patent**
Zhao et al.

(10) **Patent No.:** **US D942,643 S**

(45) **Date of Patent:** **** Feb. 1, 2022**

(54) **STERILIZER**

(71) Applicant: **THUMBS UP INNOVATIONS TECHNOLOGY CO., LTD.**, Zhuhai (CN)

(72) Inventors: **Yuqiang Zhao**, Zhuhai (CN); **Yubin Li**, Zhuhai (CN); **Zhidong Wang**, Zhuhai (CN); **Lei Zhang**, Zhuhai (CN); **Rongjin Zheng**, Zhuhai (CN); **Yiyang Ji**, Zhuhai (CN); **Jiacheng Huang**, Zhuhai (CN); **Fen He**, Zhuhai (CN)

(73) Assignee: **THUMBS UP INNOVATIONS TECHNOLOGY CO., LTD.**, Zhuhai (CN)

(**) Term: **15 Years**

(21) Appl. No.: **29/735,748**

(22) Filed: **May 22, 2020**

(51) **LOC (13) Cl.** **24-01**

(52) **U.S. Cl.**
USPC **D24/217**

(58) **Field of Classification Search**
USPC D24/216-219, 231, 232; D32/1, 25; D3/203.1, 294
CPC ... A61L 2/26; A61L 2/10; A61L 2/025; A61L 2202/11; A61L 2202/23; A61L 2202/122; A61L 2202/10
See application file for complete search history.

(56) **References Cited**

U.S. PATENT DOCUMENTS

D538,437 S * 3/2007 Yue D24/217
D542,930 S * 5/2007 Shin D24/217
D622,406 S * 8/2010 Russell, II D24/217
D679,825 S * 4/2013 Elkerbout D24/217
D866,164 S * 11/2019 Chen D3/205
D881,407 S * 4/2020 Li D24/217
D888,268 S * 6/2020 Oh D24/217
D893,045 S * 8/2020 Tang D24/217

D897,554 S * 9/2020 Winderlich D24/217
D900,333 S * 10/2020 Xie D24/217
D901,167 S * 11/2020 Li D3/205

(Continued)

OTHER PUBLICATIONS

Mimore Toothbrush Sanitizer, posted at amazon.com, no posting date, retrieved May 4, 2021, online, URL: https://www.amazon.com/Mimore-Toothbrush-Sanitizer-Sterilization-Rechargeable/dp/B085T6GRSW/ref=asc_df_B085T6GRSW/?tag=hyprod-20&linkCode=df0&hvadid=459497701890&hvpos=&hvnetw=g&hvrand=17167439977927142 (Year: 2021).*

Primary Examiner — Lilyana Bekic

Assistant Examiner — Mary Shannon Malley

(74) *Attorney, Agent, or Firm* — Law Offices of Steven W. Weinrieb

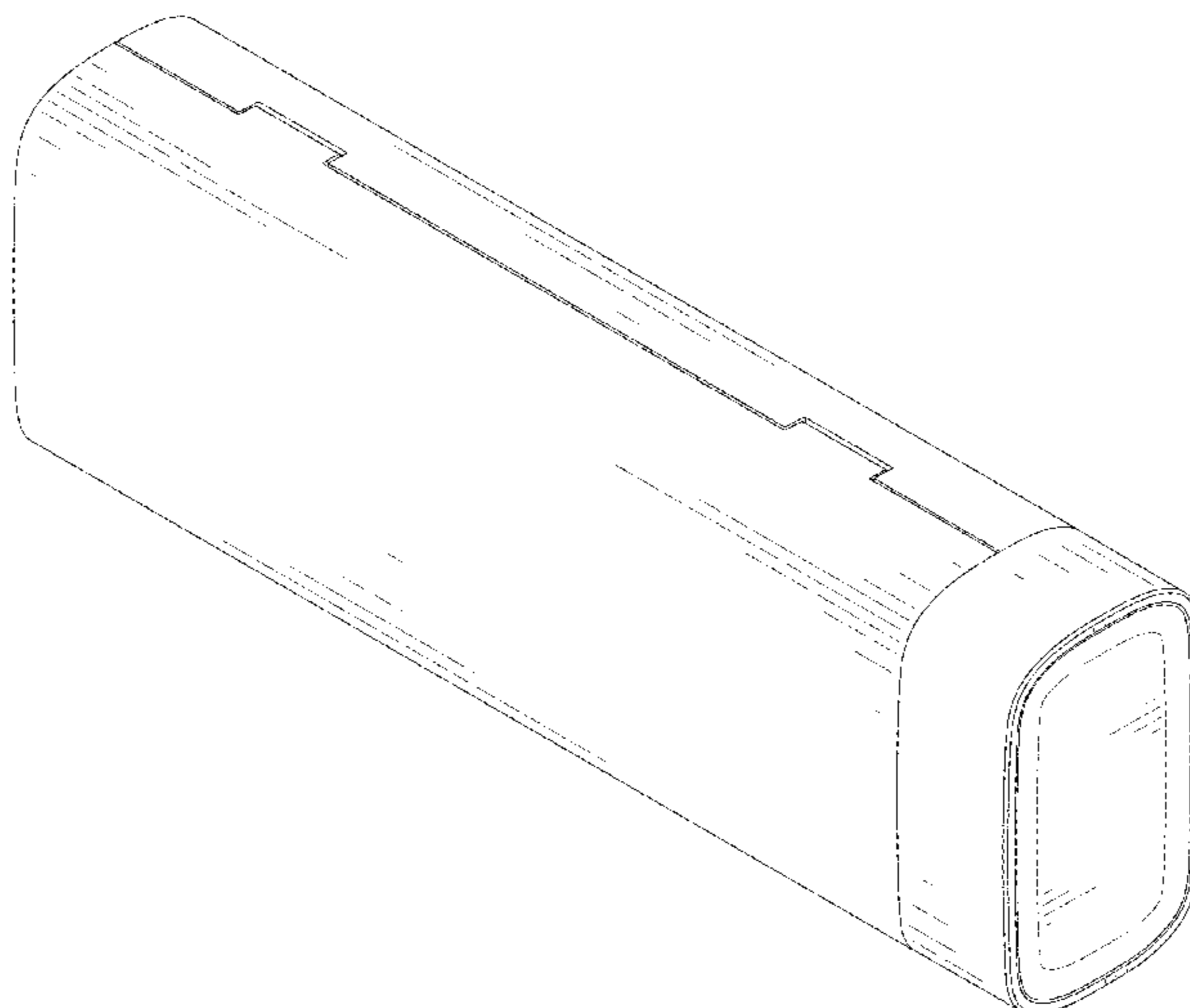
(57) **CLAIM**

The ornamental design for a sterilizer, as shown and described.

DESCRIPTION

FIG. 1 is a front, right side, top perspective view of a sterilizer showing our new design; FIG. 2 is a rear, left side, bottom perspective view thereof; FIG. 3 is a front elevational view thereof; FIG. 4 is a rear elevational view thereof; FIG. 5 is a left side elevational view thereof; FIG. 6 is a right side elevational view thereof; FIG. 7 is a top plan view thereof; FIG. 8 is a bottom plan view thereof; FIG. 9 is a front, right side, top perspective view thereof showing the pivotal cover portion of the sterilizer moved to its open position; and, FIG. 10 is rear, left side, bottom perspective view thereof showing the sterilizer when the hanging mounting plate thereof has been removed. The broken lines show portions of the sterilizer that form no part of the claimed design.

1 Claim, 10 Drawing Sheets



(56)

References Cited

U.S. PATENT DOCUMENTS

D914,233 S * 3/2021 Yi D24/217
D914,234 S * 3/2021 Yi D24/217
2016/0317268 A1* 11/2016 Dietzel A46B 17/065
2019/0099509 A1* 4/2019 Martz A61L 2/10

* cited by examiner

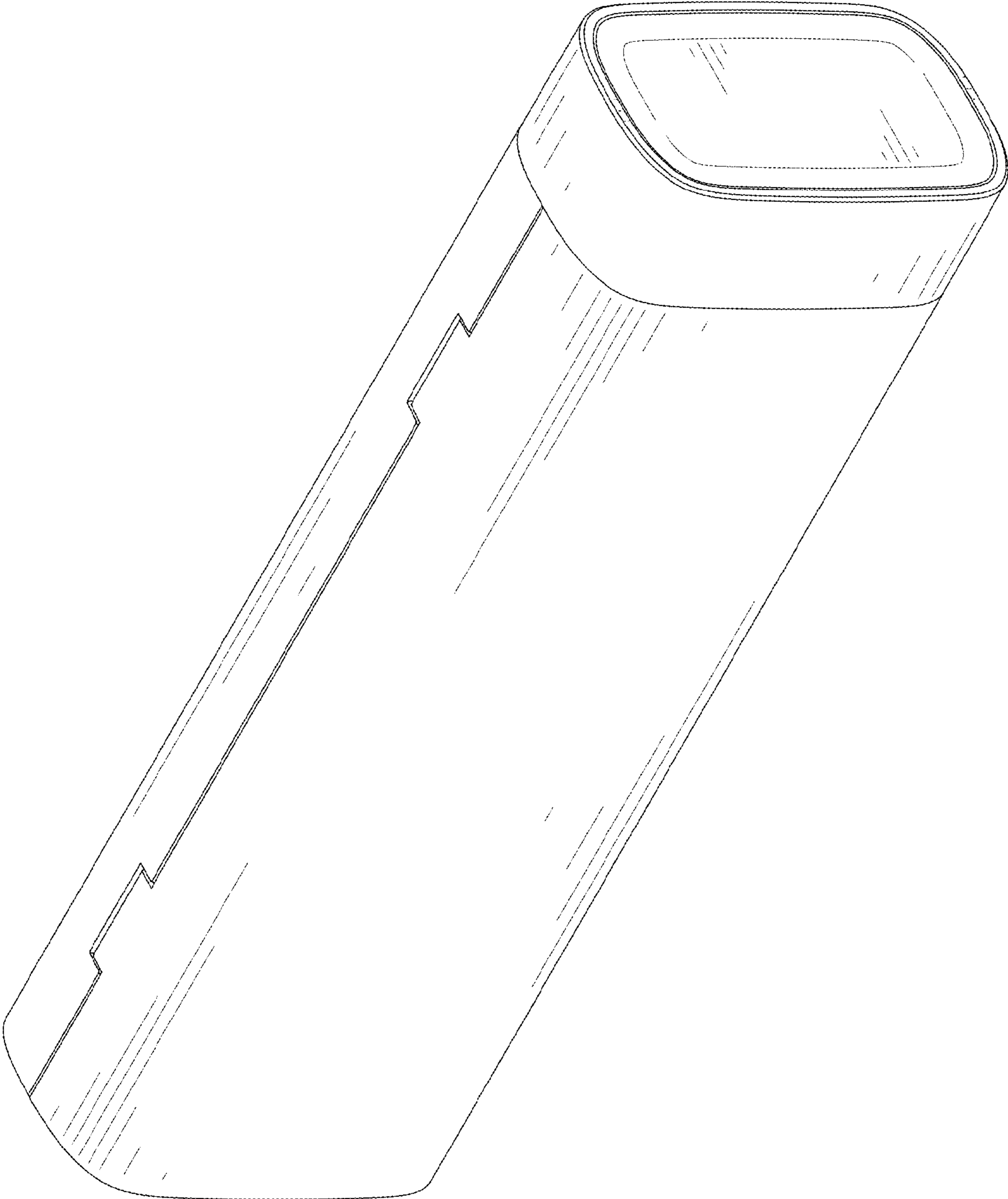


FIG. 1

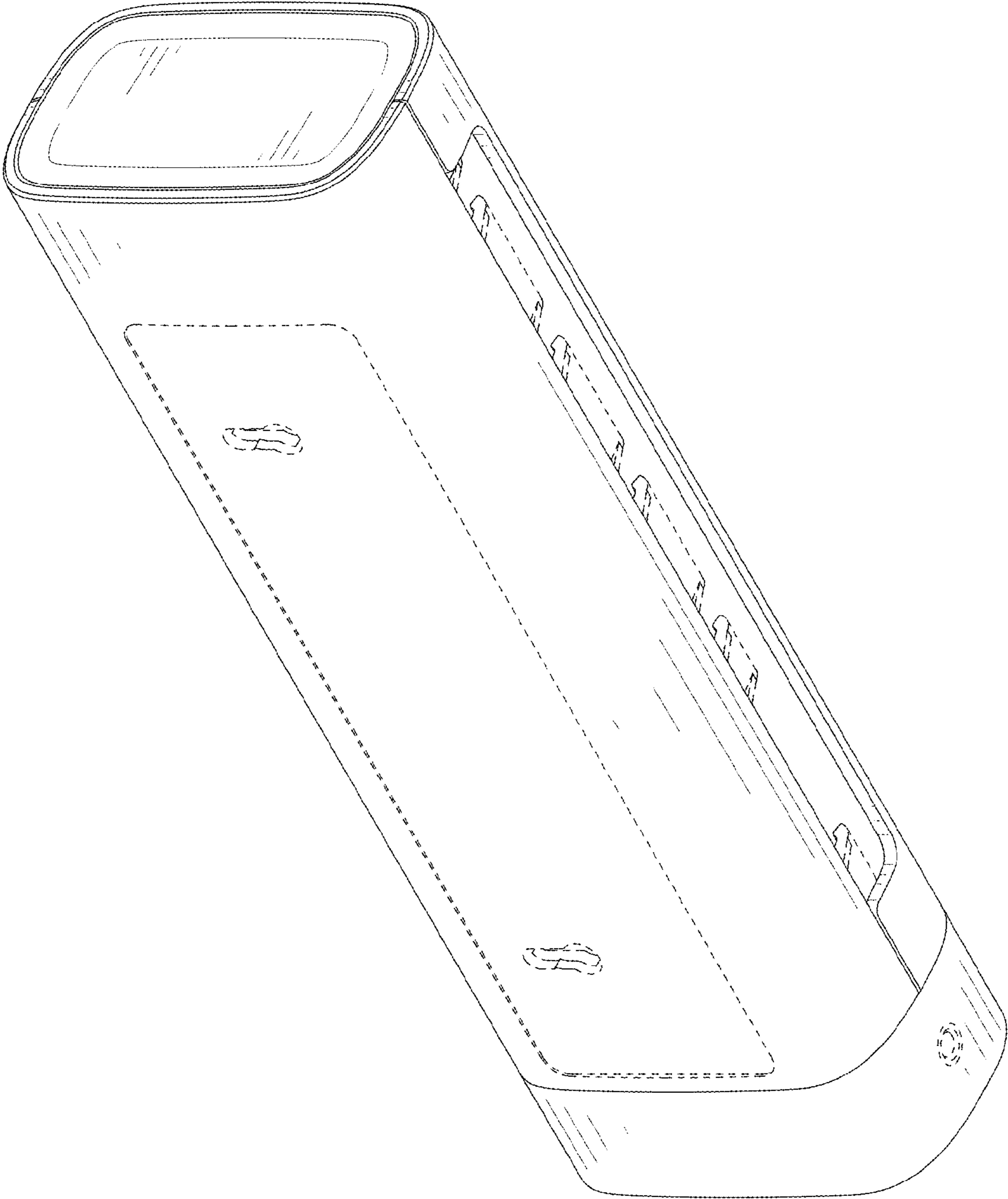


FIG. 2

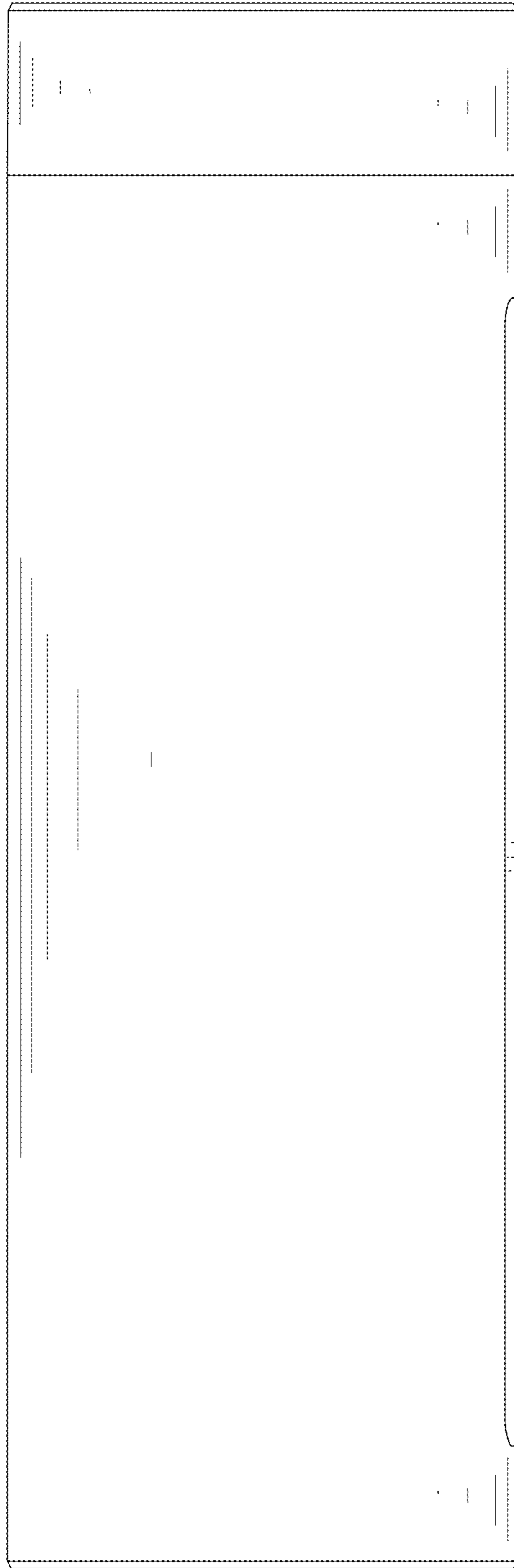


FIG. 3

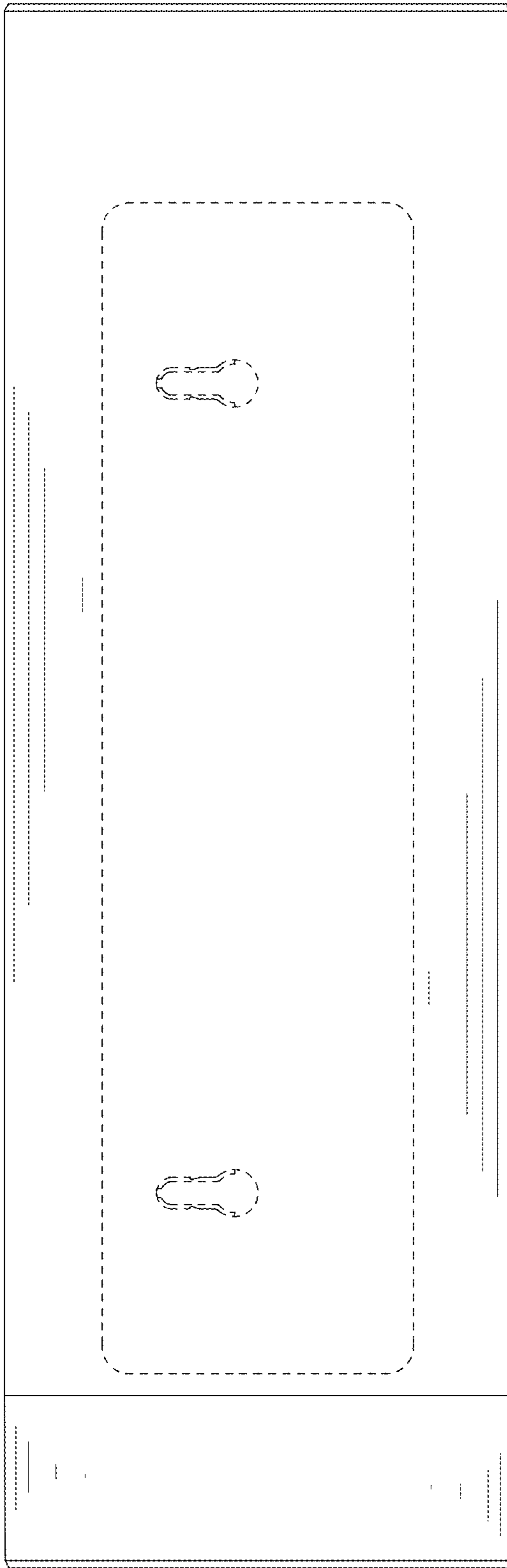


FIG. 4

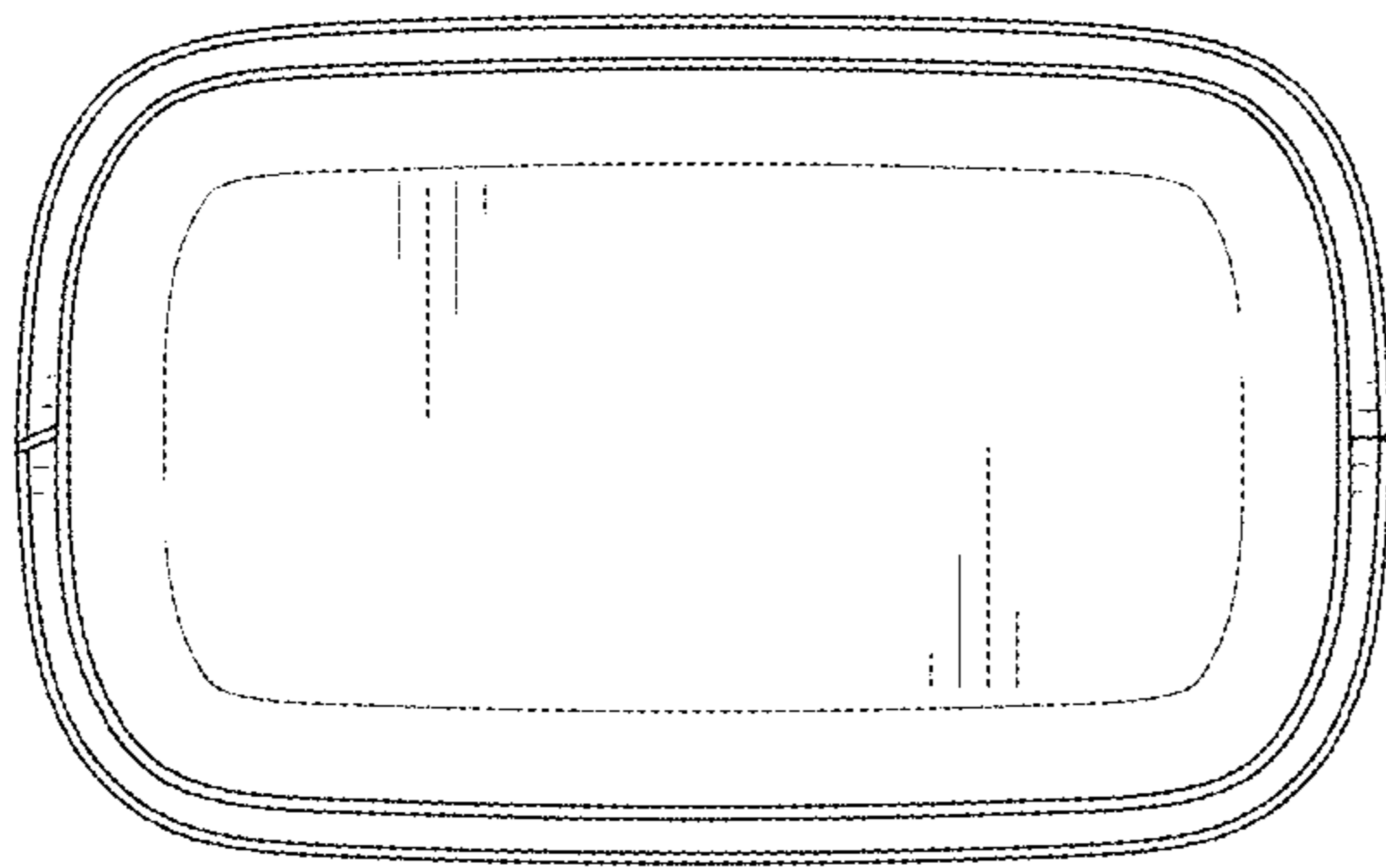


FIG. 5

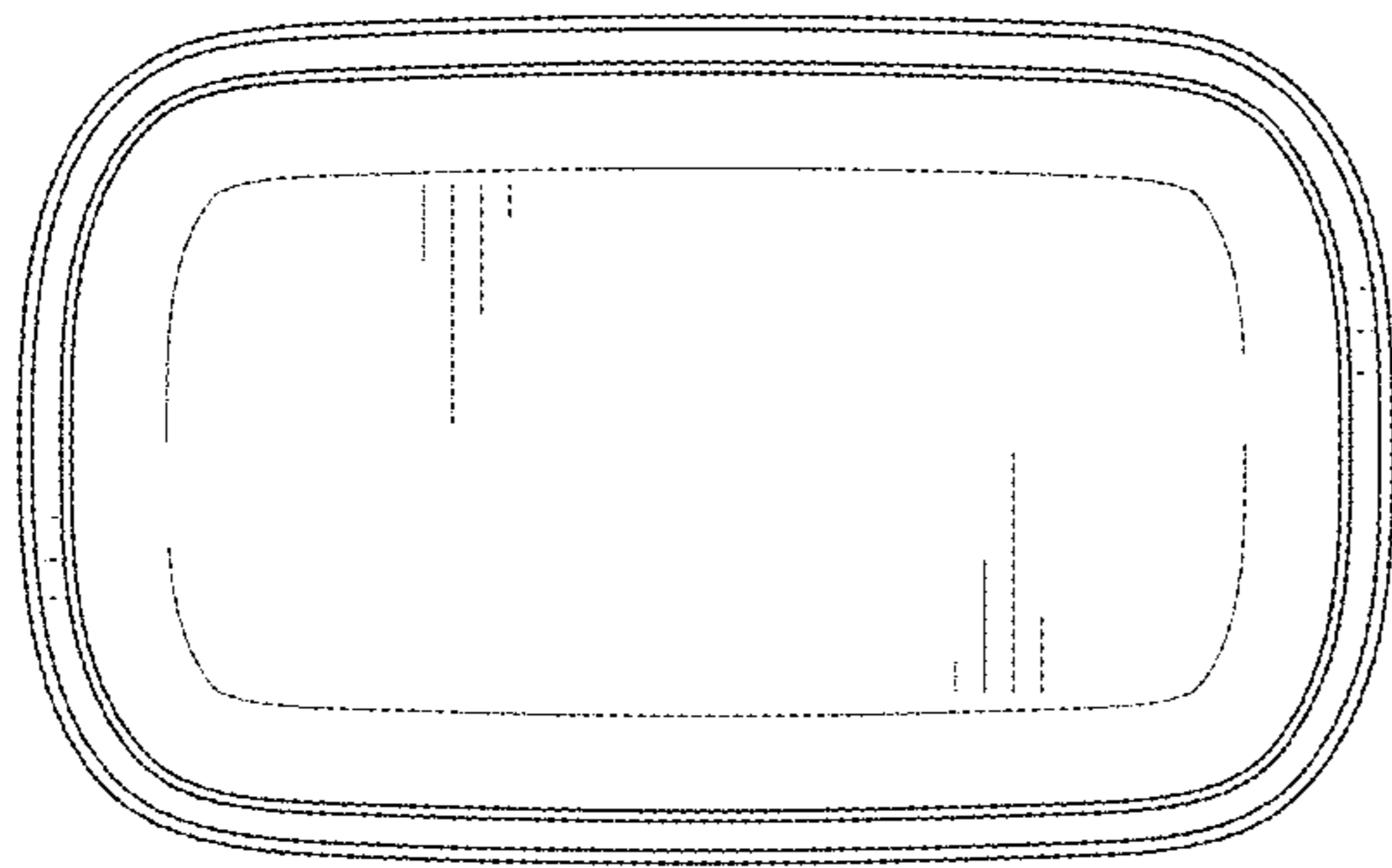


FIG. 6

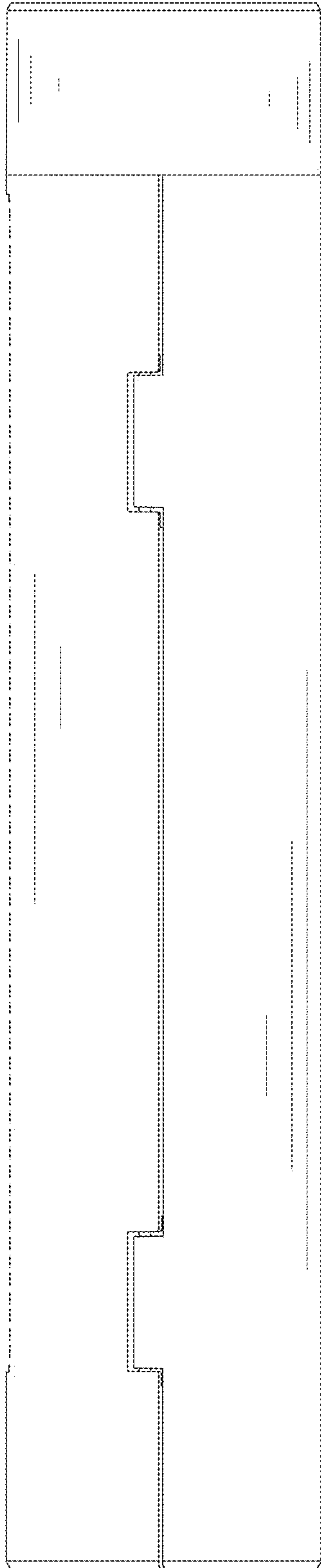


FIG. 7

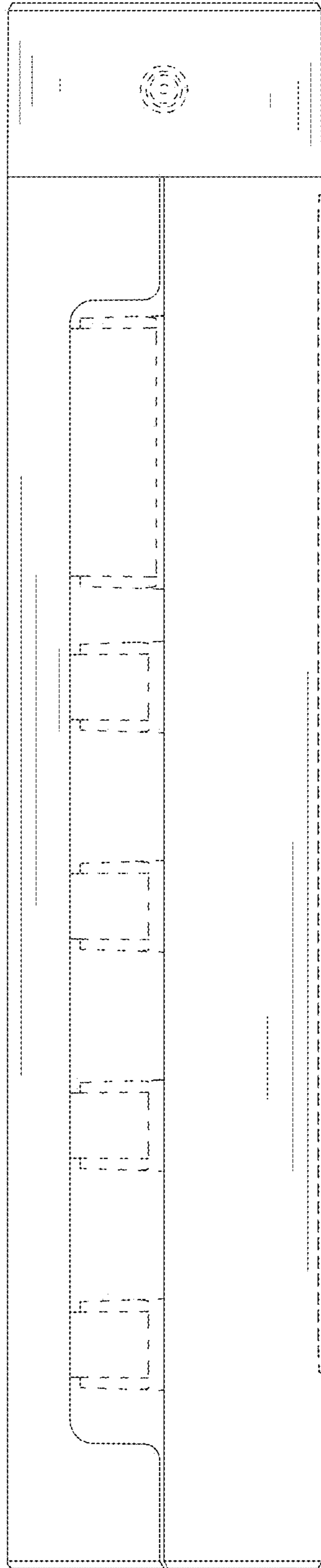


FIG. 8

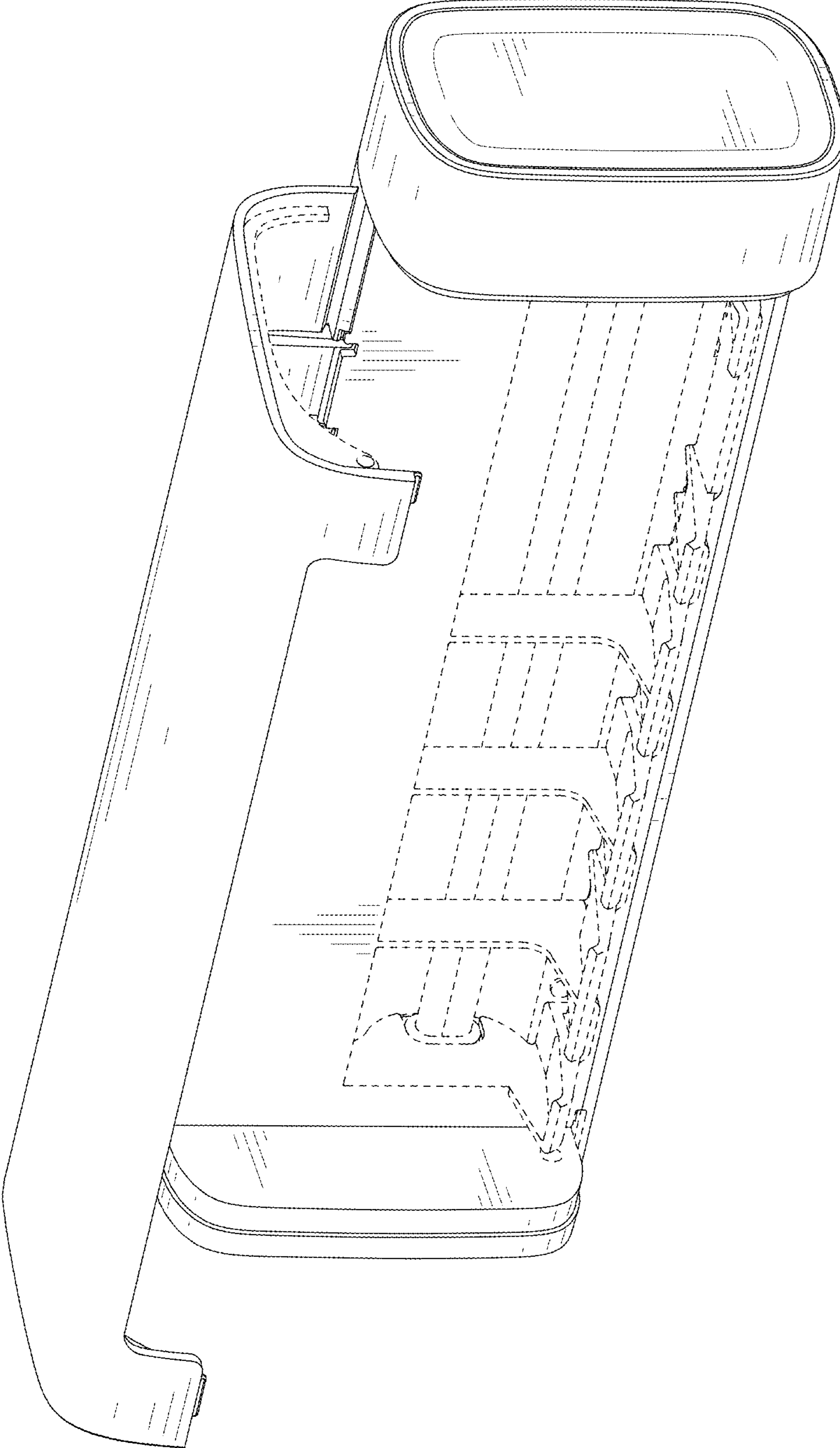


FIG. 9

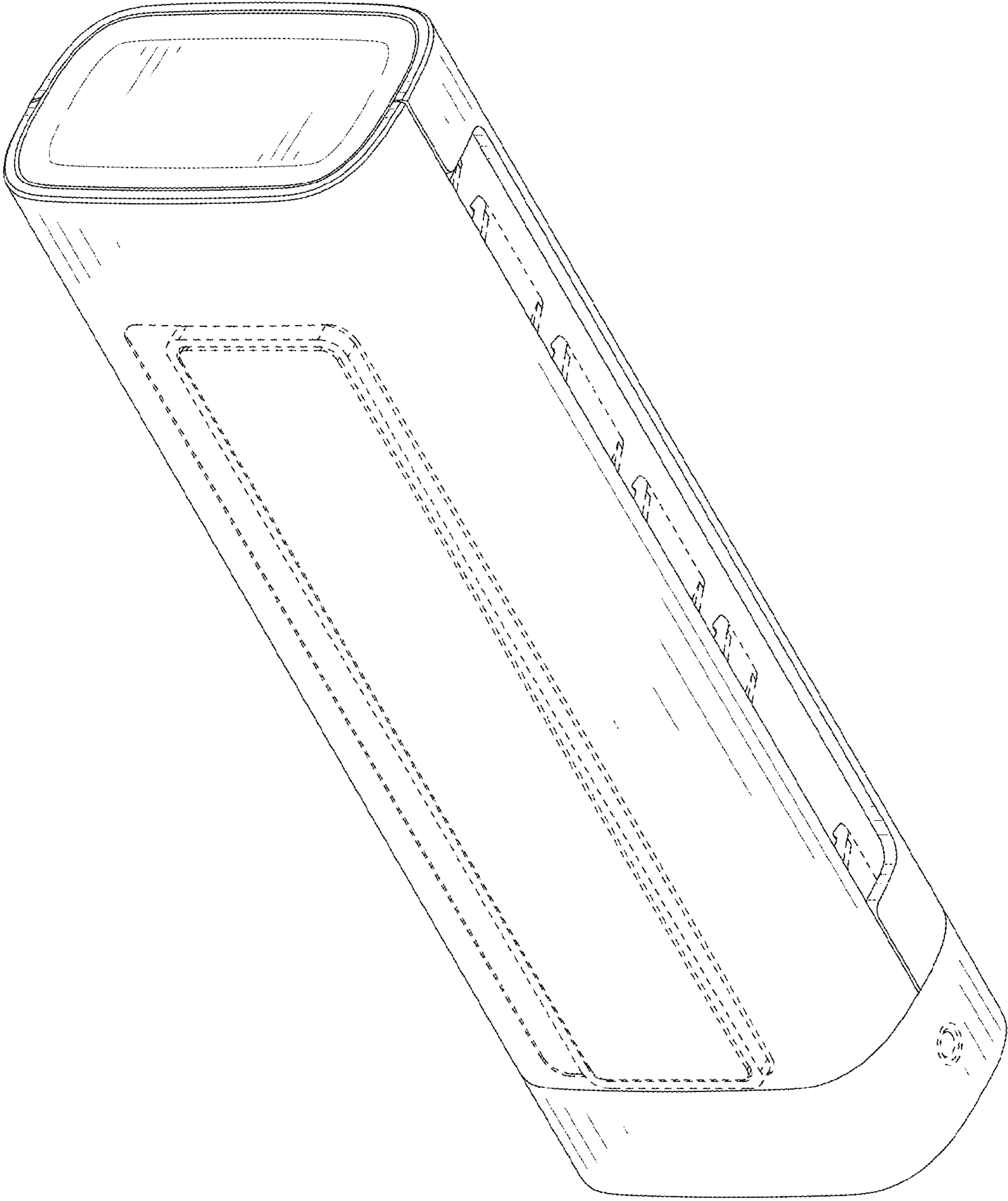


FIG. 10