



US00D942642S

(12) **United States Design Patent** (10) **Patent No.:** **US D942,642 S**
Reavis, Jr. et al. (45) **Date of Patent:** **** Feb. 1, 2022**

- (54) **DISPLAY MONITOR**
- (71) Applicant: **Siemens Healthcare Diagnostics Inc.**,
Tarrytown, NY (US)
- (72) Inventors: **Philip Reavis, Jr.**, Somerville, MA
(US); **William Chura**, Newton, MA
(US); **Prabhu Ramachandran**,
Newton, MA (US)
- (73) Assignee: **Siemens Healthcare Diagnostics Inc.**,
Tarrytown, NY (US)
- (**) Term: **15 Years**
- (21) Appl. No.: **29/762,880**
- (22) Filed: **Dec. 18, 2020**

D629,907 S	12/2010	Boessneck et al.
D647,209 S	10/2011	Müller et al.
D665,917 S	8/2012	TerMaat et al.
D729,661 S	5/2015	Dickinson
D759,519 S	6/2016	Apotheloz
D843,005 S	3/2019	Kobeli et al.
D848,020 S	5/2019	Kobeli et al.
D889,668 S *	7/2020	Chiu D24/185
D895,841 S *	9/2020	Mathers D24/232
D908,893 S *	1/2021	Xia D24/186
D908,911 S *	1/2021	Reavis, Jr D24/216
D922,588 S *	6/2021	Long D24/186
2011/0256551 A1 *	10/2011	Linder B01L 3/50273 435/7.1
2016/0018426 A1	1/2016	Moriya et al.
2016/0030613 A1	2/2016	Paul et al.

* cited by examiner

Primary Examiner — Anhdao Doan

Related U.S. Application Data

- (62) Division of application No. 29/692,063, filed on May 22, 2019, now Pat. No. Des. 908,911.
- (51) **LOC (13) Cl.** **24-01**
- (52) **U.S. Cl.**
USPC **D24/216**
- (58) **Field of Classification Search**
USPC D24/107, 169, 186, 216, 219, 231, 232;
D10/81; D14/307, 336, 339, 340, 371,
D14/451
CPC G01N 2035/00306; G01N 2035/00326;
G01N 2035/00336; G01N 2030/027;
G01N 21/76; G01N 33/50; G01N 35/025
See application file for complete search history.

(57) **CLAIM**

The ornamental design for a display monitor, as shown and described.

DESCRIPTION

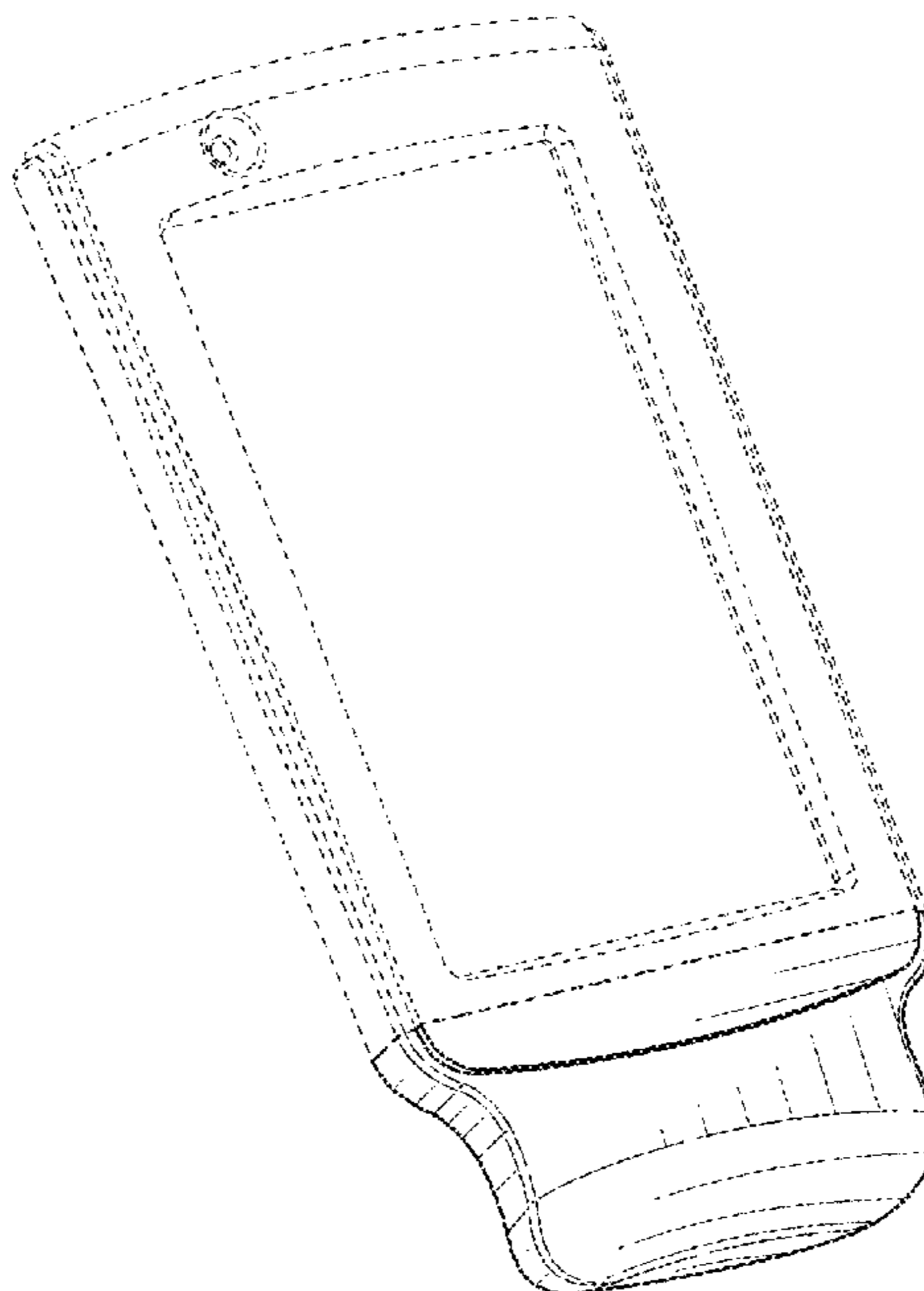
FIG. 1 is a front perspective view of a display monitor.
 FIG. 2 is a front elevational view thereof.
 FIG. 3 is a rear elevational view thereof.
 FIG. 4 is a left side elevational view thereof.
 FIG. 5 is a right side elevational view thereof.
 FIG. 6 is a top plan view thereof; and,
 FIG. 7 is a bottom plan view thereof.

The broken lines consisting of long and short dashed lines represent the bounds of the claim and form no part of the claimed design, while the broken lines consisting of equal length dash lines depict parts of the display monitor that form no part of the claimed design.

(56) **References Cited**
 U.S. PATENT DOCUMENTS

- D609,350 S 2/2010 Hickey et al.
- D617,461 S 6/2010 Kaushal et al.

1 Claim, 4 Drawing Sheets



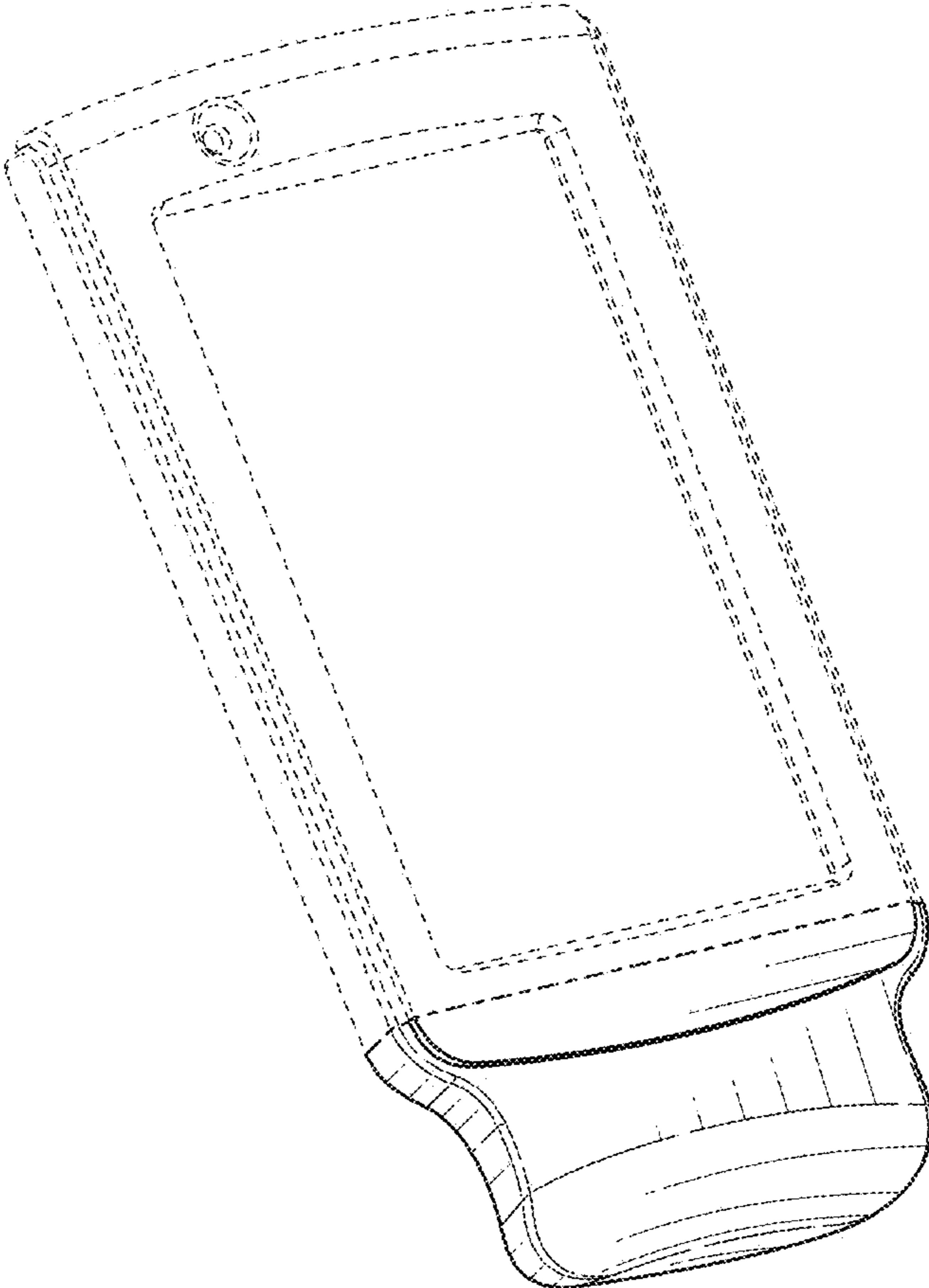


FIG. 1

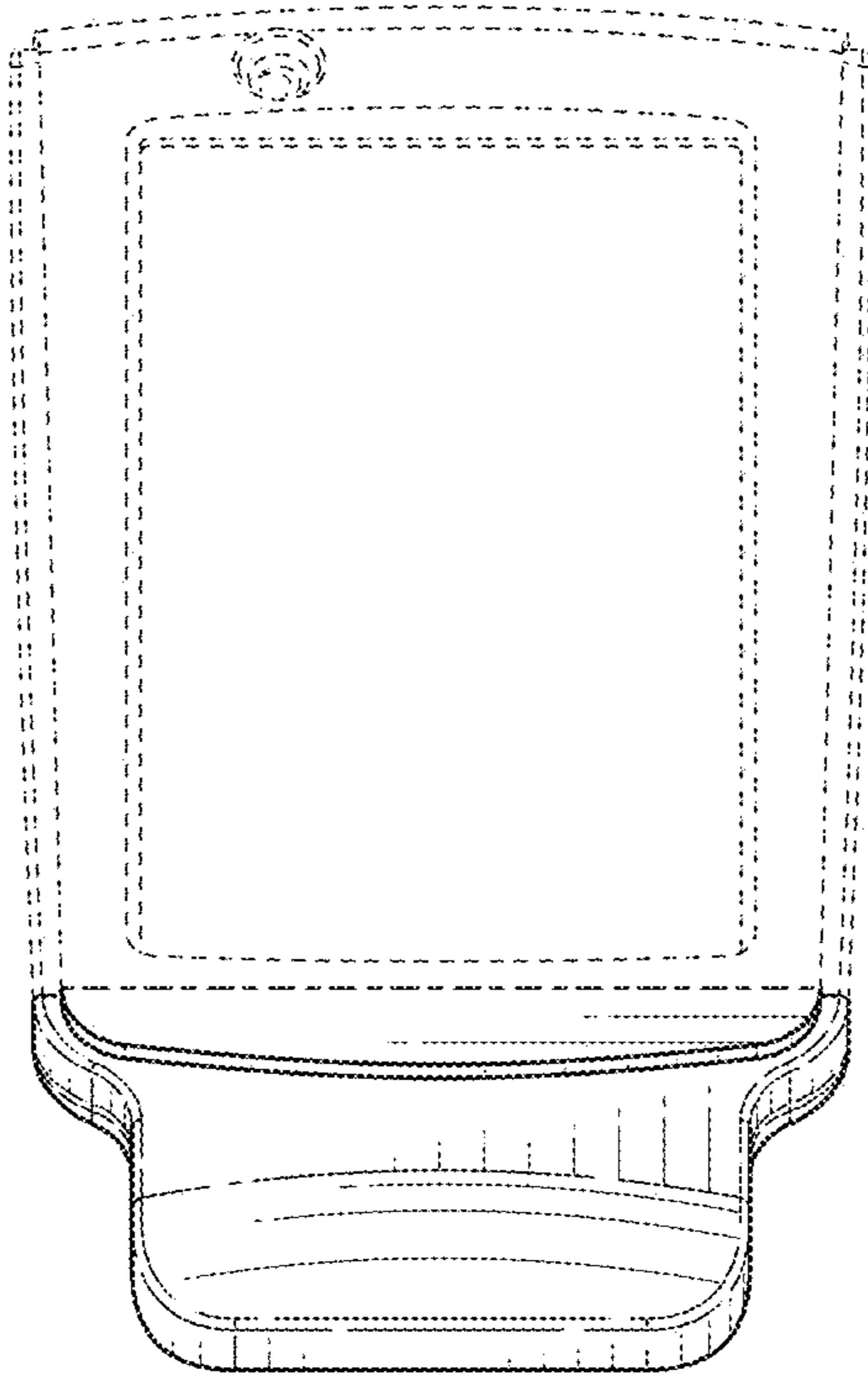


FIG. 2

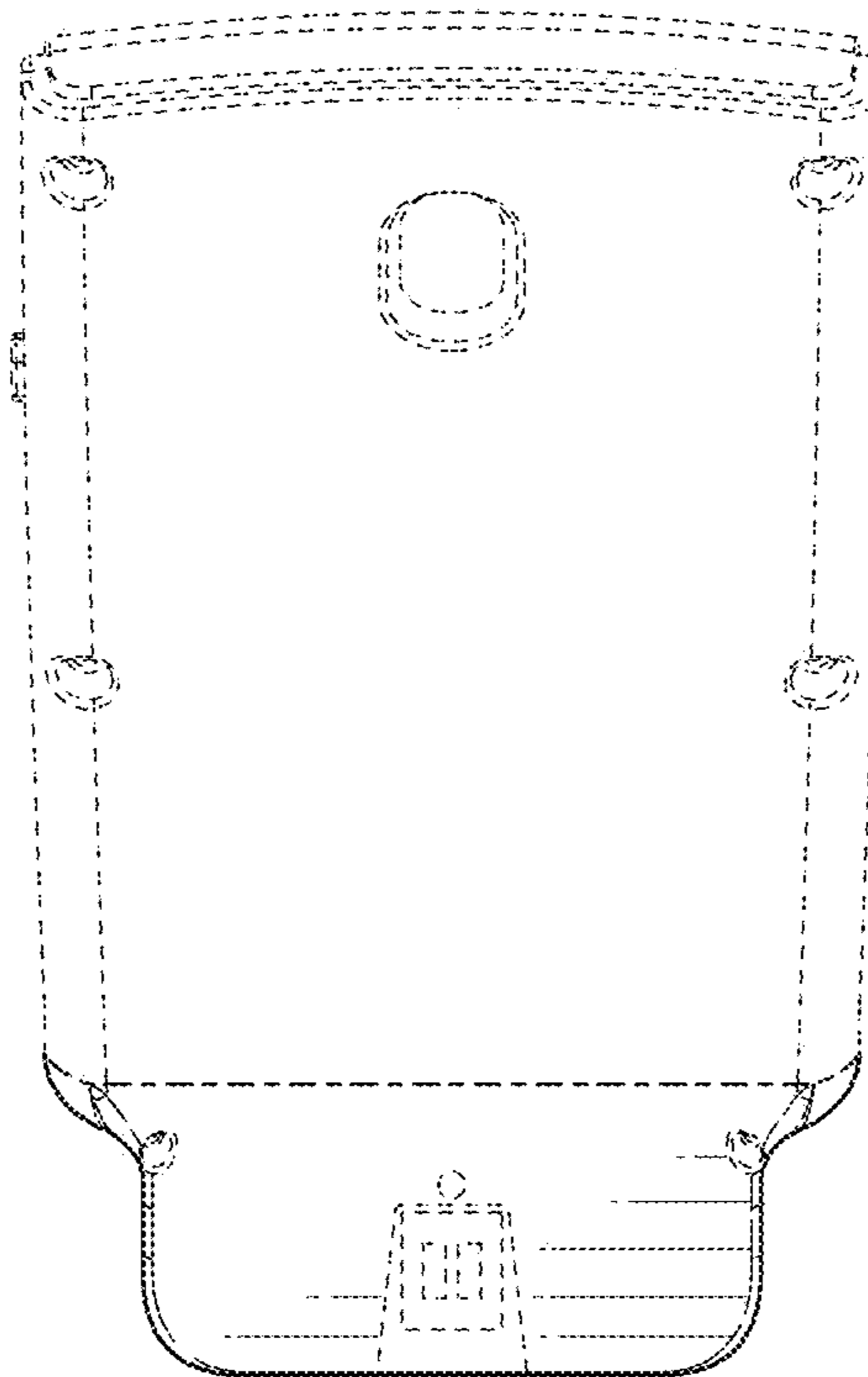


FIG. 3

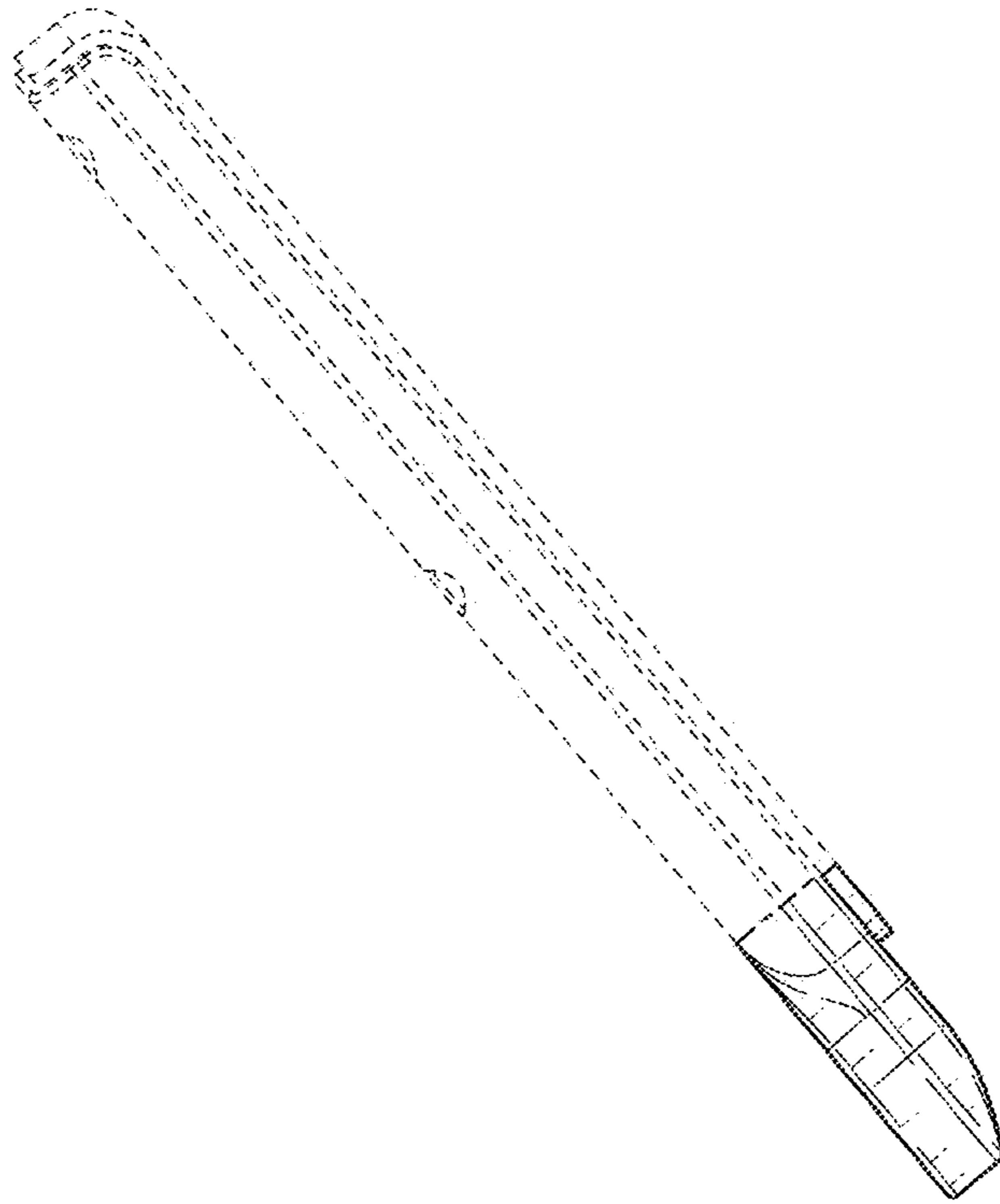


FIG. 4

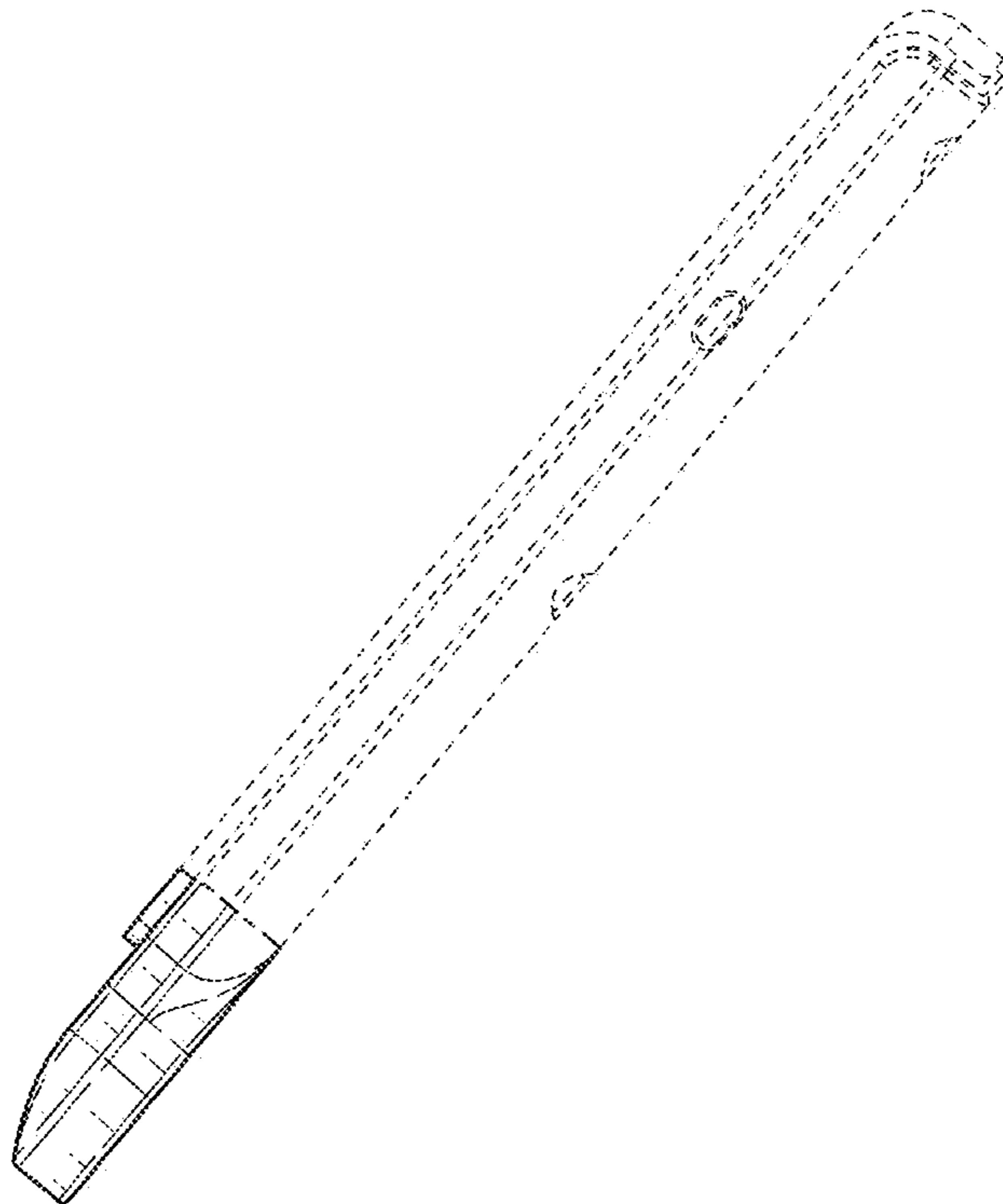


FIG. 5

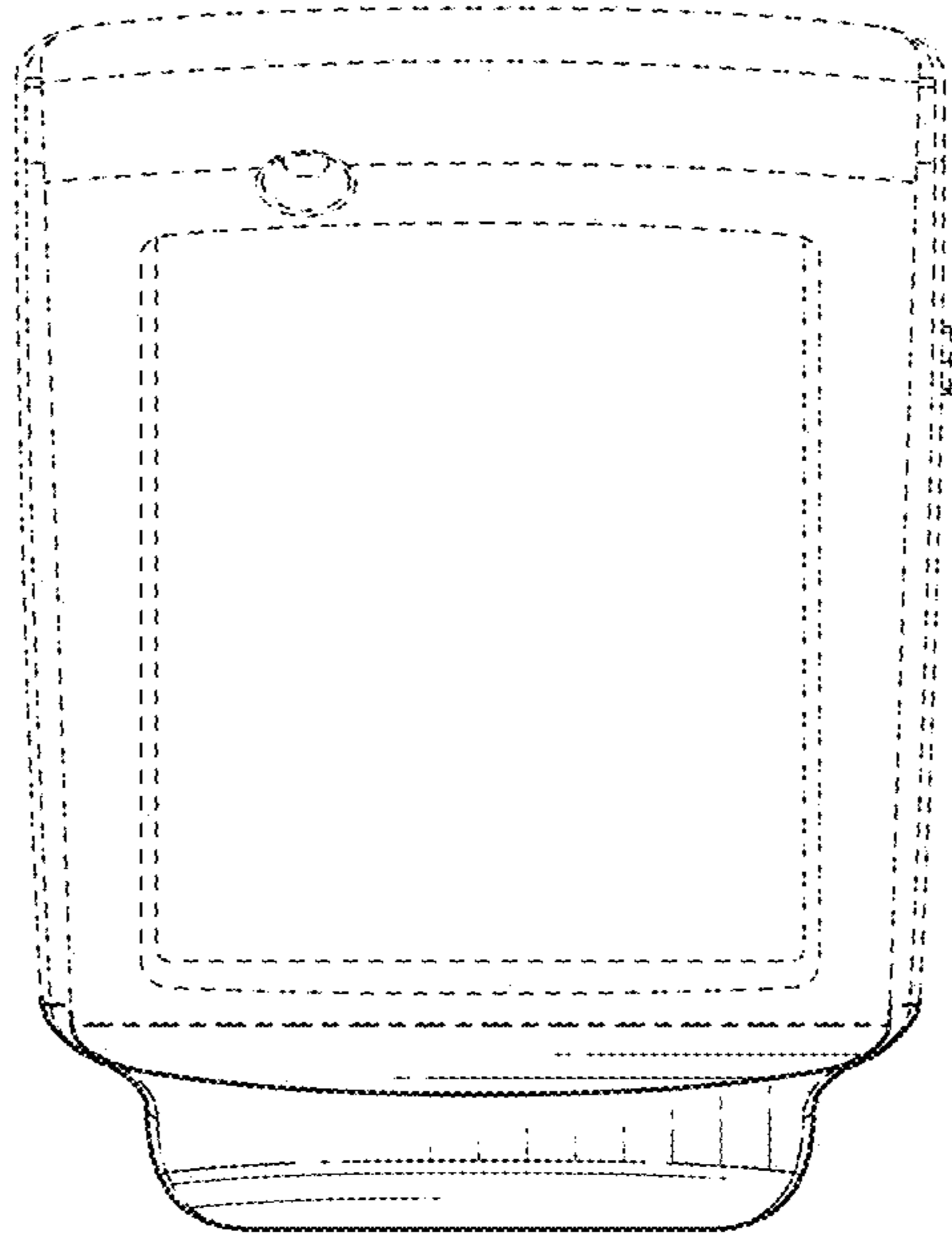


FIG. 6

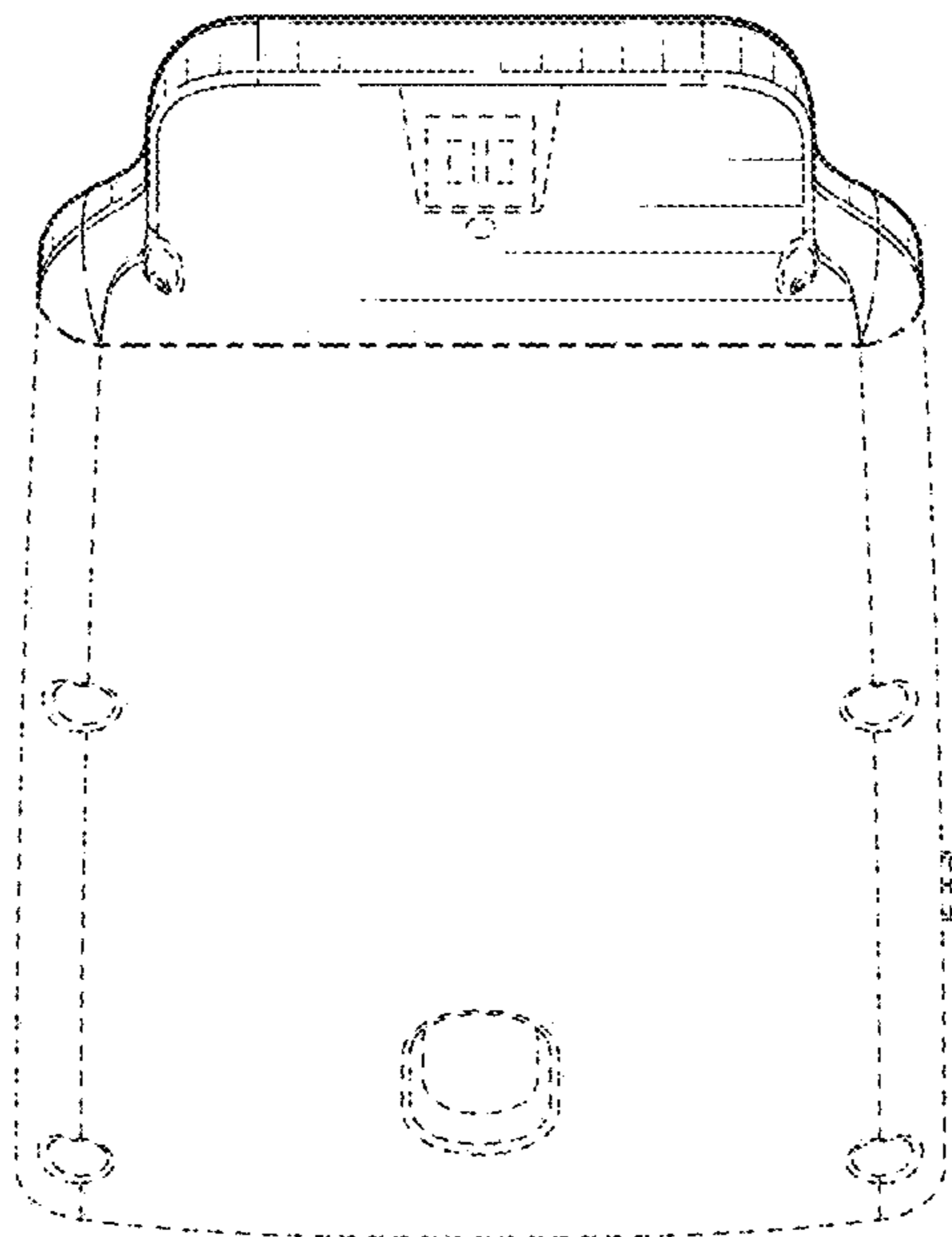


FIG. 7