



US00D942640S

(12) **United States Design Patent**  
**Kraus et al.**

(10) **Patent No.: US D942,640 S**

(45) **Date of Patent: \*\* Feb. 1, 2022**

(54) **MICROTOME**

(71) Applicant: **pfm medical ag**, Cologne (DE)

(72) Inventors: **Steffen Kraus**, Sandhausen (DE);  
**Erwin Schneider**, Nußloch (DE)

(73) Assignee: **pfm medical ag**, Cologne (DE)

(\*\*) Term: **15 Years**

(21) Appl. No.: **29/726,302**

(22) Filed: **Mar. 2, 2020**

(30) **Foreign Application Priority Data**

Sep. 3, 2019 (EM) ..... 006812178-0001

(51) **LOC (13) Cl.** ..... **24-01**

(52) **U.S. Cl.**  
USPC ..... **D24/216**

(58) **Field of Classification Search**  
USPC ..... D24/107, 169, 186, 216, 219, 231, 232,  
D24/233; D10/81

CPC ..... G01N 1/06; G01N 1/31; G01N 1/061;  
G01N 2001/065; Y10T 83/202; Y10T  
436/11; Y10T 436/112499

See application file for complete search history.

(56) **References Cited**

**U.S. PATENT DOCUMENTS**

D326,921 S \* 6/1992 Holbl ..... D24/216  
D330,899 S \* 11/1992 Holbl ..... D24/216  
D761,439 S \* 7/2016 Robles ..... D24/232  
D810,315 S \* 2/2018 Hoelbl ..... D24/232  
D810,316 S \* 2/2018 Hoelbl ..... D24/232  
D872,297 S \* 1/2020 Zhou ..... D24/216

D903,894 S \* 12/2020 Zhou ..... D24/216  
D903,895 S \* 12/2020 Zhou ..... D24/216  
D917,066 S \* 4/2021 Esterberg ..... D24/232  
2004/0261597 A1\* 12/2004 Thiem ..... G01N 1/06  
83/703  
2020/0200650 A1\* 6/2020 Fan ..... G01N 1/06

**OTHER PUBLICATIONS**

Rotary Microtome pfm Rotary 3000 Compact—pfm medical ag.  
Published Dec. 16, 2019.\*

\* cited by examiner

*Primary Examiner* — Anhdao Doan

(74) *Attorney, Agent, or Firm* — Venable LLP; Keith G.  
Haddaway

(57) **CLAIM**

The ornamental design for a microtome, as shown and  
described.

**DESCRIPTION**

The patent or application file contains at least one drawing  
executed in color. Copies of this patent or patent application  
publication with color drawing(s) will be provided by the  
Office upon request and payment of the necessary fee.

FIG. 1 is a left side perspective view of a microtome  
according to the present invention;

FIG. 2 is a right side perspective view thereof;

FIG. 3 is a front perspective view thereof;

FIG. 4 is a top view thereof;

FIG. 5 is a left side view thereof;

FIG. 6 is a right side view thereof; and,

FIG. 7 is a back view thereof.

**1 Claim, 7 Drawing Sheets**  
**(7 of 7 Drawing Sheet(s) Filed in Color)**

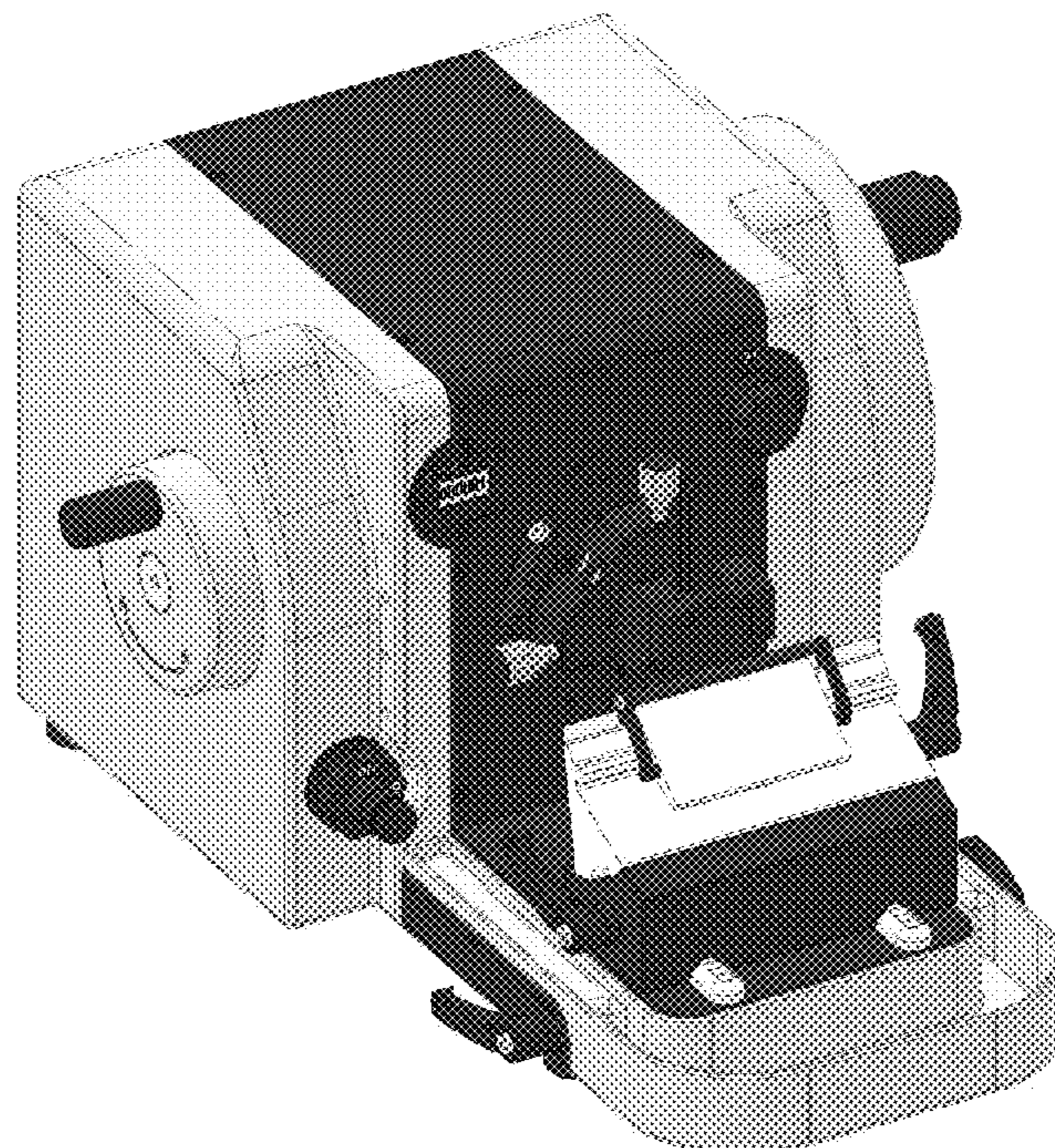




Figure 1

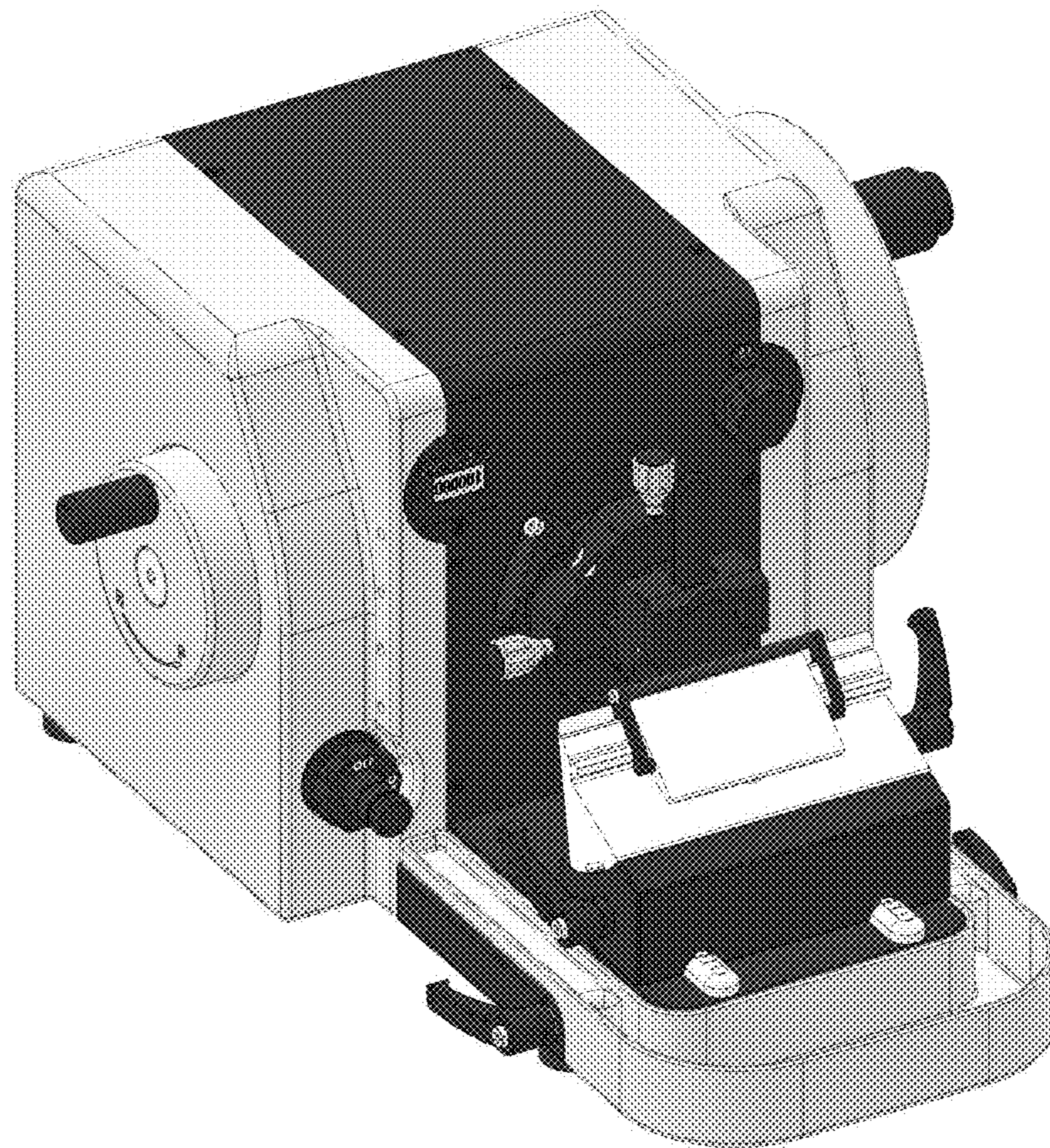




Figure 2

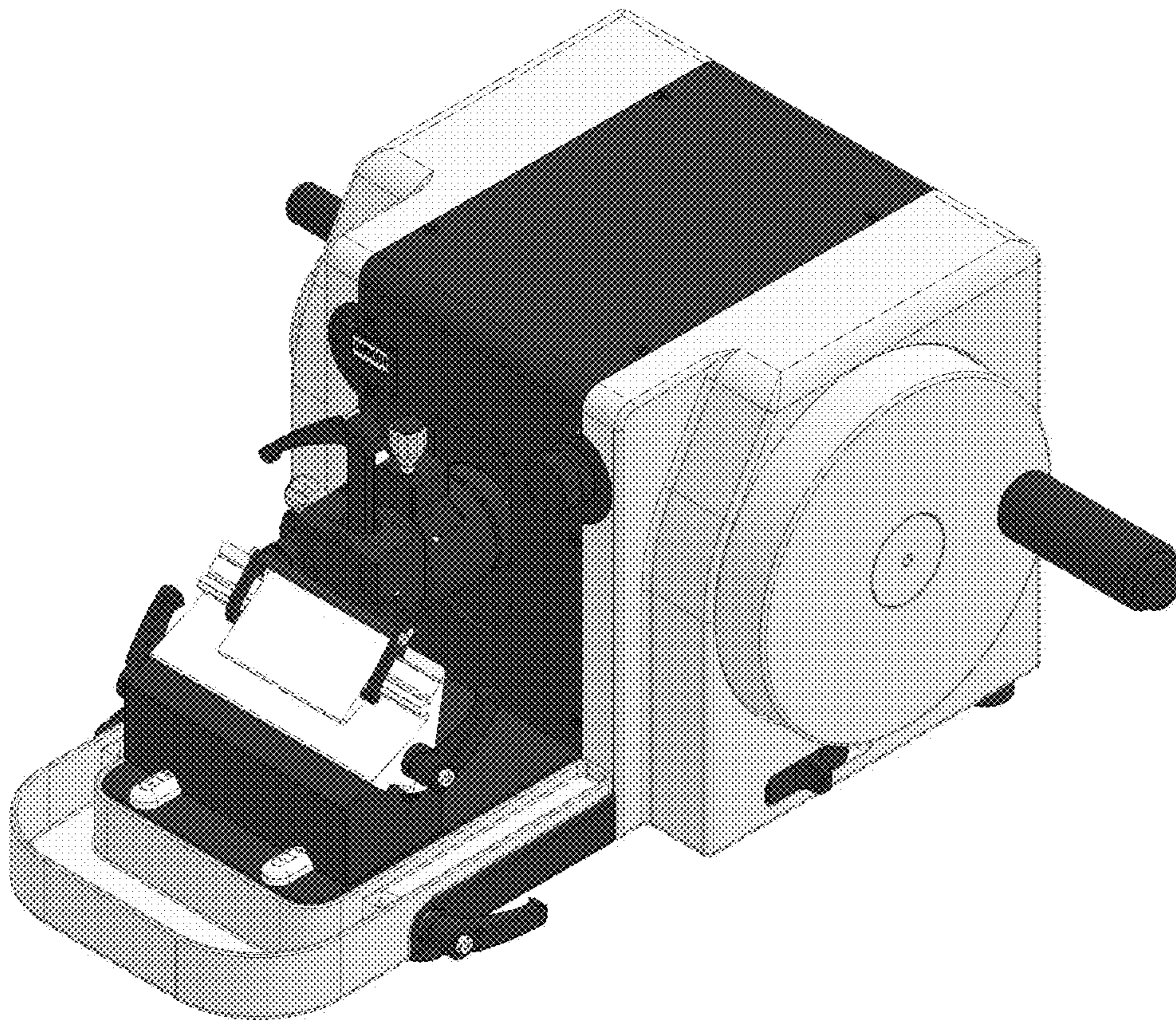




Figure 3

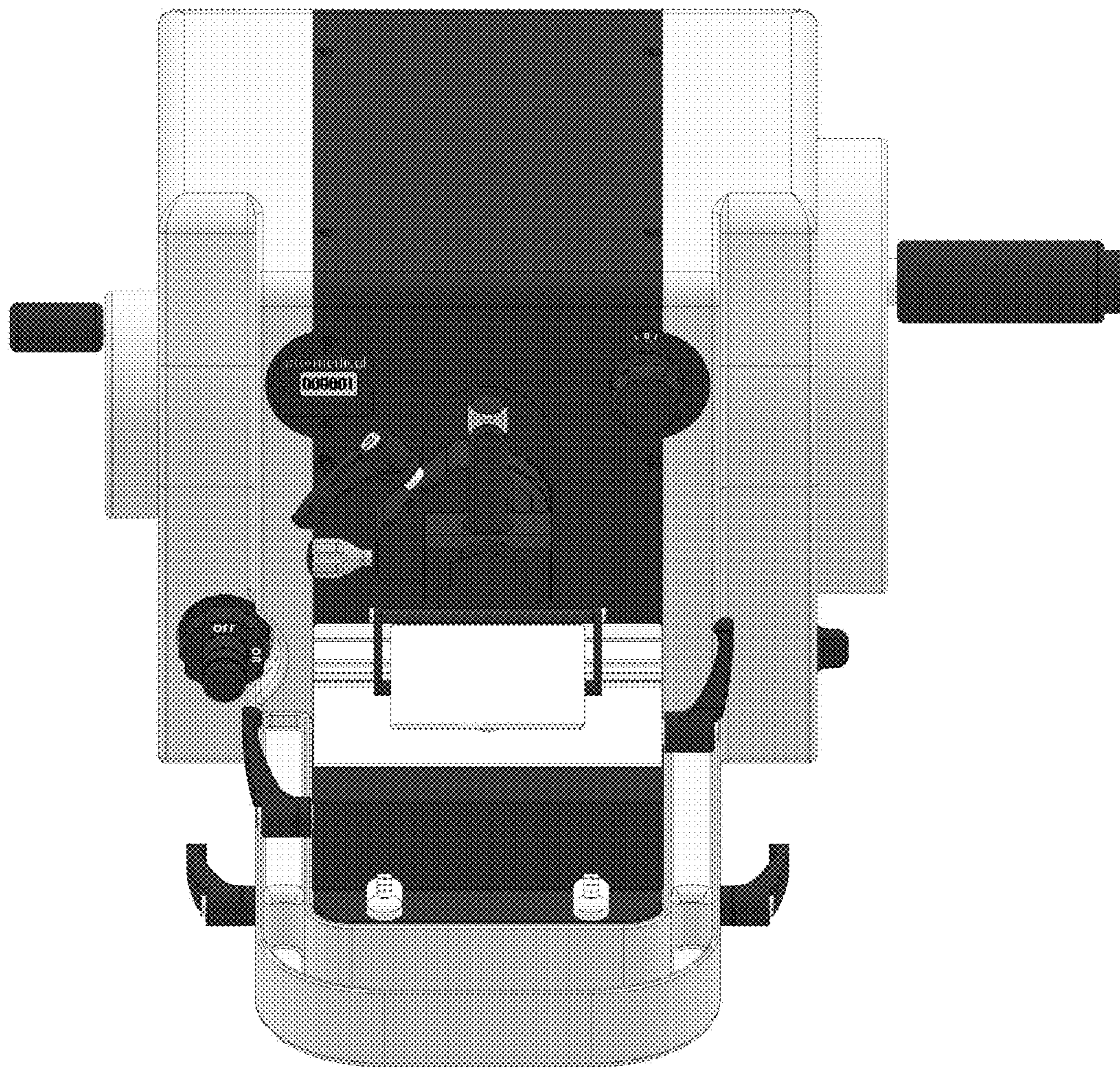




Figure 4

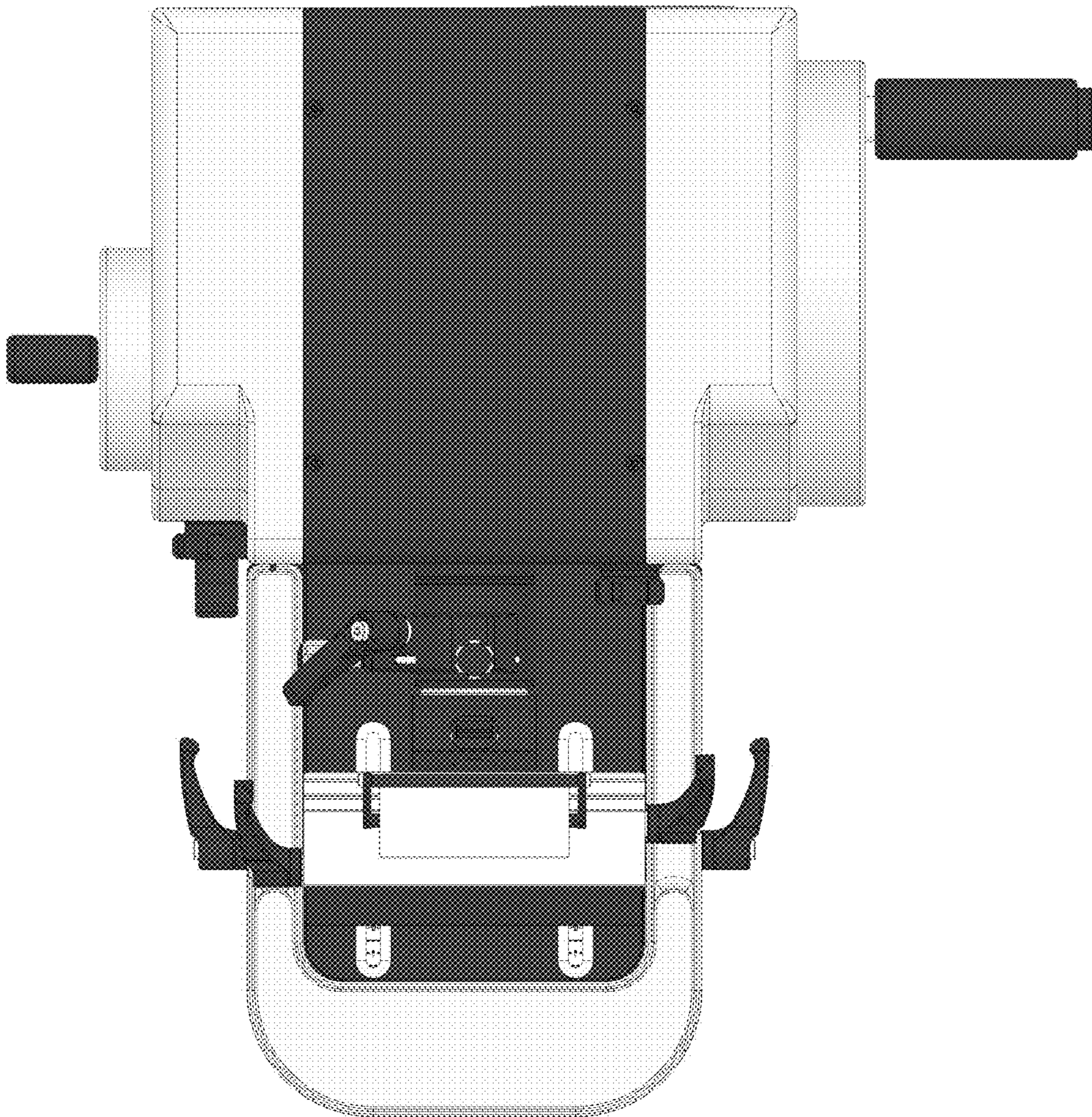


Figure 5

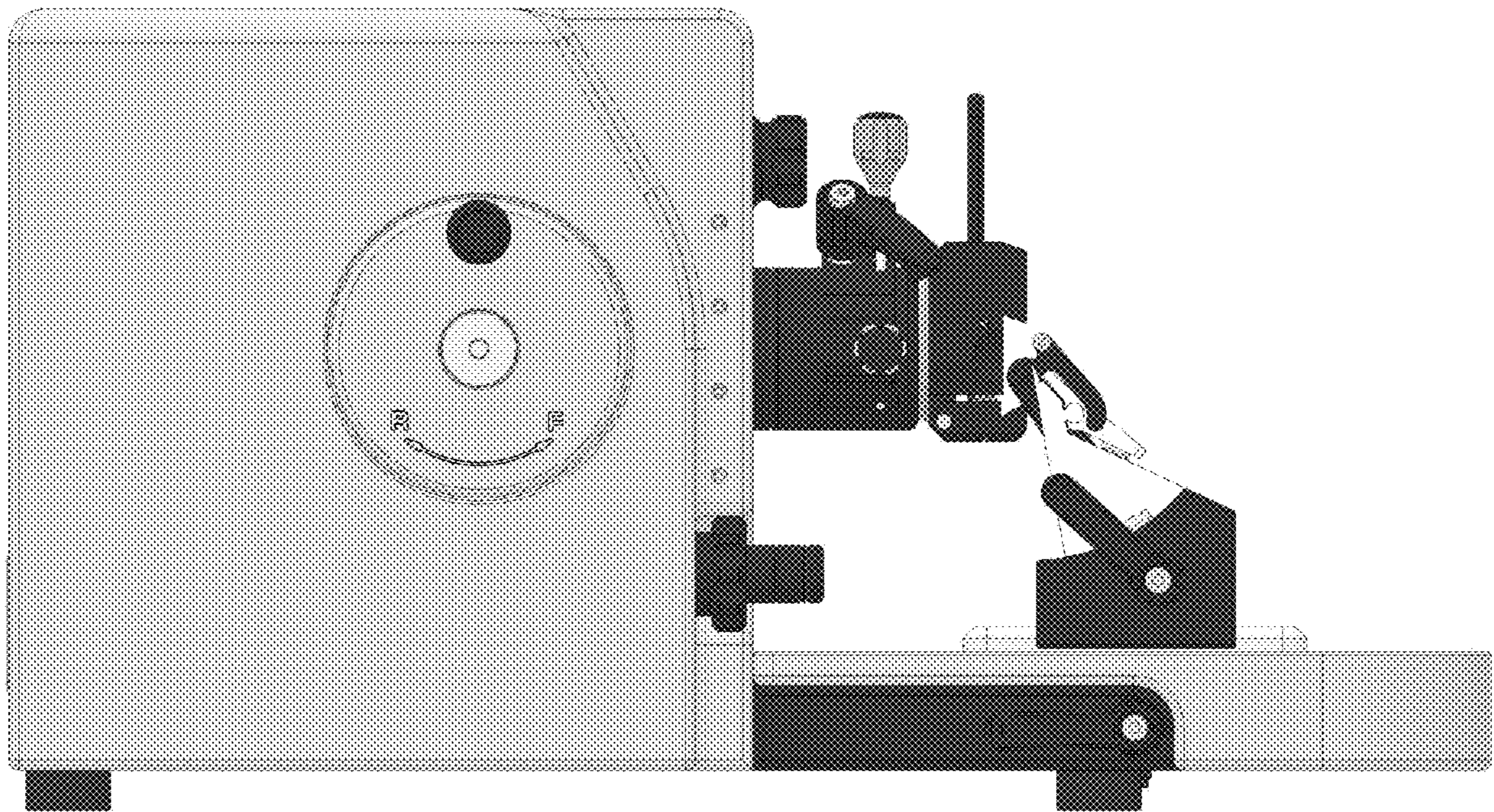




Figure 6

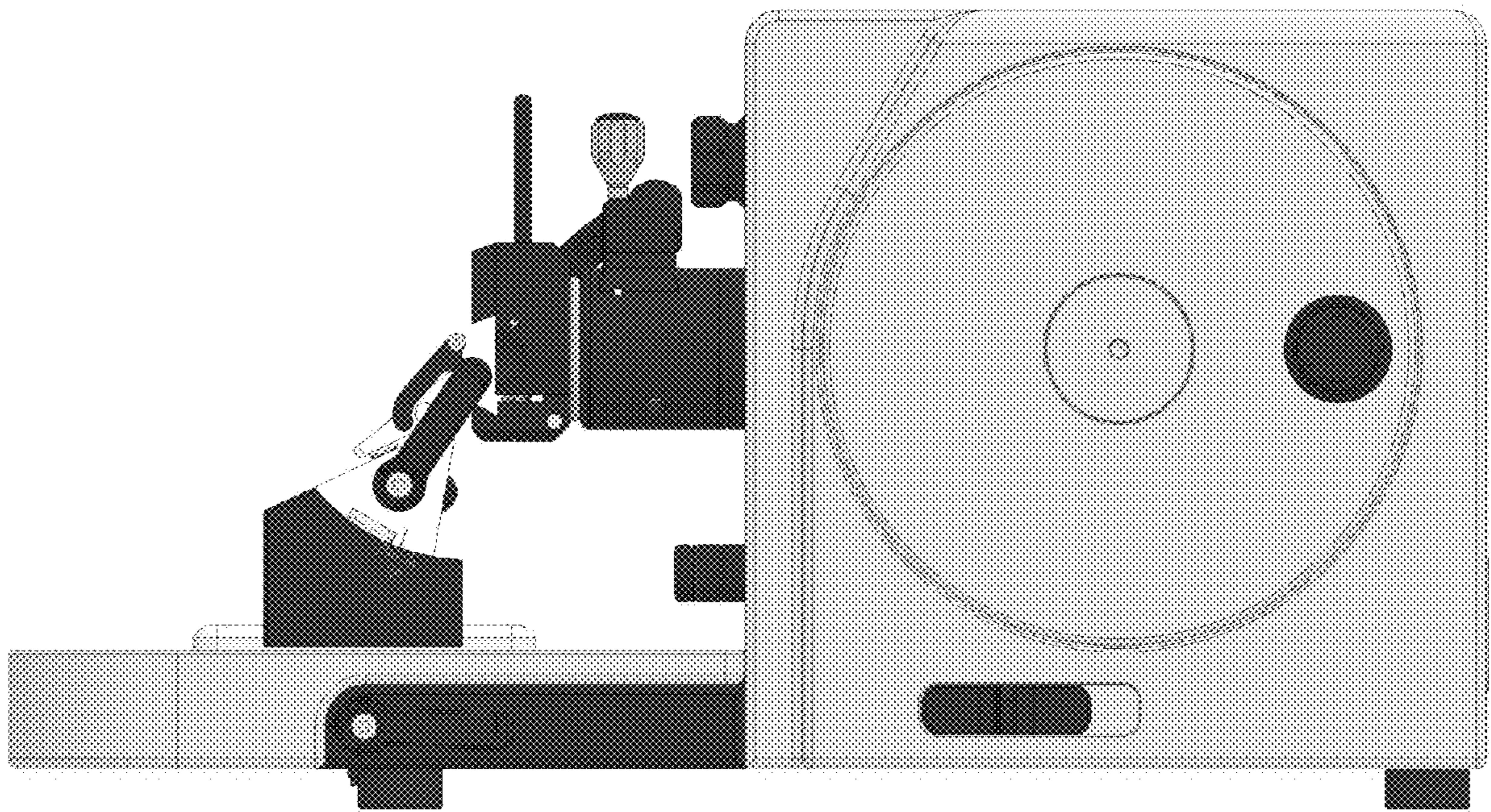


Figure 7

