



US00D942636S

(12) **United States Design Patent** (10) **Patent No.:** **US D942,636 S**  
**Cheung** (45) **Date of Patent:** **\*\* \*Feb. 1, 2022**

(54) **SEX TOY**  
(71) Applicant: **Brandcore Limited**, Tortola (VG)  
(72) Inventor: **Lai Lam Cheung**, Ma On Shan (HK)  
(73) Assignee: **Brandcore Limited**  
(\* ) Notice: This patent is subject to a terminal disclaimer.

D633,615 S \* 3/2011 Takashima ..... D24/141  
D639,444 S \* 6/2011 A ..... D24/214  
D681,223 S \* 4/2013 Chen ..... D24/215  
D719,665 S \* 12/2014 Callow ..... D24/214  
D739,547 S \* 9/2015 Cheung ..... D24/215  
D739,548 S \* 9/2015 Cheung ..... D24/215  
D739,951 S \* 9/2015 Tai ..... D24/215  
D740,433 S \* 10/2015 Zhu ..... A61H 15/0085  
D742,025 S \* 10/2015 Callow ..... D24/214  
(Continued)

(\*\*) Term: **15 Years**

**OTHER PUBLICATIONS**

(21) Appl. No.: **29/669,280**  
(22) Filed: **Nov. 7, 2018**  
(51) **LOC (13) Cl.** ..... **28-03**  
(52) **U.S. Cl.**  
USPC ..... **D24/215**  
(58) **Field of Classification Search**  
USPC ..... 601/15, 18, 19, 27, 28, 29, 30, 31, 32,  
601/46, 47, 48, 52, 72, 99, 112, 113, 118,  
601/135, 137, DIG. 12, DIG. 14, DIG. 15,  
601/DIG. 16, DIG. 17; D24/200, 211,  
D24/212, 213, 214, 215; D30/160;  
600/38, 39, 40, 41  
CPC ..... A61H 19/44; A61H 19/34; A61H 19/50;  
A61H 21/00  
See application file for complete search history.

Amazon, "B-VIBE-Snug Plug 1", Apr. 18, 2018. [https://www.amazon.com/B-VIBE-Precision-Shaped-Comfortable-Provides-Insertable/dp/B07659NNKT/ref=cm\\_cr\\_ar\\_p\\_d\\_product\\_sims?ie=UTF8#customerReviews](https://www.amazon.com/B-VIBE-Precision-Shaped-Comfortable-Provides-Insertable/dp/B07659NNKT/ref=cm_cr_ar_p_d_product_sims?ie=UTF8#customerReviews). Shown on p. 1. (Year: 2018).\*  
(Continued)

*Primary Examiner* — Cynthia Ramirez  
*Assistant Examiner* — Michael A Maharajh  
(74) *Attorney, Agent, or Firm* — Merek, Blackmon & Voorhees, LLC

(57) **CLAIM**

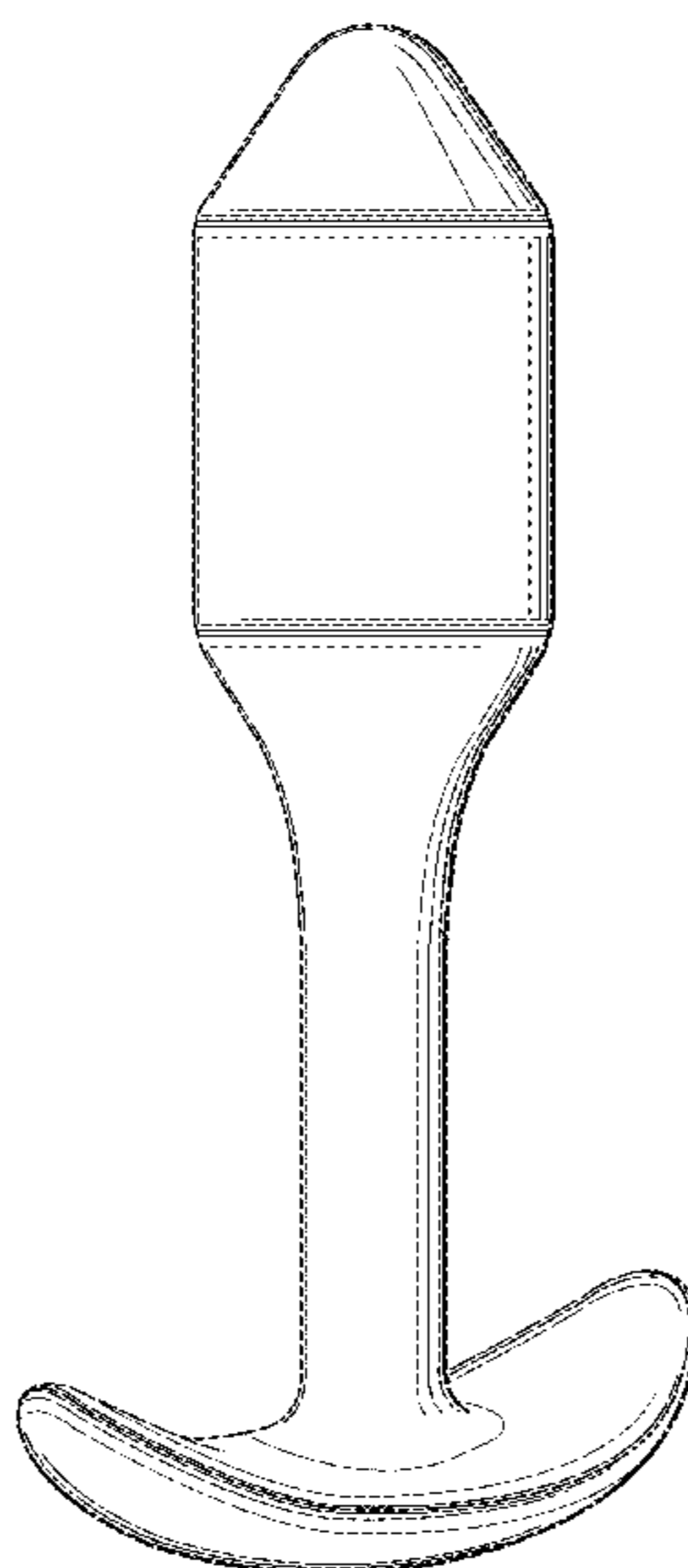
The ornamental design for a sex toy, as shown and described.

**DESCRIPTION**

FIG. 1 is a perspective view from the right, front and top side of the sex toy showing my new design.  
FIG. 2 is a right side view of the sex toy of FIG. 1.  
FIG. 3 is a front elevational view of the sex toy of FIG. 1, with the back elevational view being a mirror image thereof.  
FIG. 4 is a left side view of the sex toy of FIG. 1.  
FIG. 5 is a top plan view of the sex toy of FIG. 1; and,  
FIG. 6 is a bottom plan view of the sex toy of FIG. 1.  
The areas shown within the broken lines represent portions of the sex toy, which form no portion of the claimed design.

(56) **References Cited**  
U.S. PATENT DOCUMENTS  
D414,871 S \* 10/1999 Myers ..... D24/135  
D447,563 S \* 9/2001 Stein ..... D24/133  
D536,097 S \* 1/2007 Nan ..... D24/215  
D582,551 S \* 12/2008 Takashima ..... D24/141  
D595,409 S \* 6/2009 Takashima ..... D24/141  
D601,700 S \* 10/2009 Takashima ..... D24/141  
D606,206 S \* 12/2009 Nan ..... D24/215  
D608,890 S \* 1/2010 Takashima ..... D24/141  
D610,683 S \* 2/2010 Takashima ..... D24/141  
D621,505 S \* 8/2010 Gabbay ..... D24/141

**1 Claim, 3 Drawing Sheets**



(56)

**References Cited**

U.S. PATENT DOCUMENTS

D771,828 S \* 11/2016 Sedic ..... D24/215  
D810,313 S \* 2/2018 Cheung ..... D24/215  
D818,142 S \* 5/2018 Cheung ..... D24/215  
D834,213 S \* 11/2018 Marshall ..... D24/215  
D837,995 S \* 1/2019 Josselyn ..... D24/215  
D846,753 S \* 4/2019 Cheung ..... D24/215  
2009/0222034 A1 \* 9/2009 Takashima ..... A61H 21/00  
606/197  
2011/0021870 A1 \* 1/2011 Lee ..... A61H 19/44  
600/38  
2013/0345501 A1 \* 12/2013 O'Reilly ..... A61H 19/44  
600/38  
2018/0140504 A1 \* 5/2018 Chang ..... A61H 23/02

OTHER PUBLICATIONS

Lovehoney, "b-Vibe Snug Plug 2", Dec. 30, 2016. <https://www.lovehoney.com/product.cfm?p=38784>. Shown on p. 1. (Year: 2016).\*

\* cited by examiner

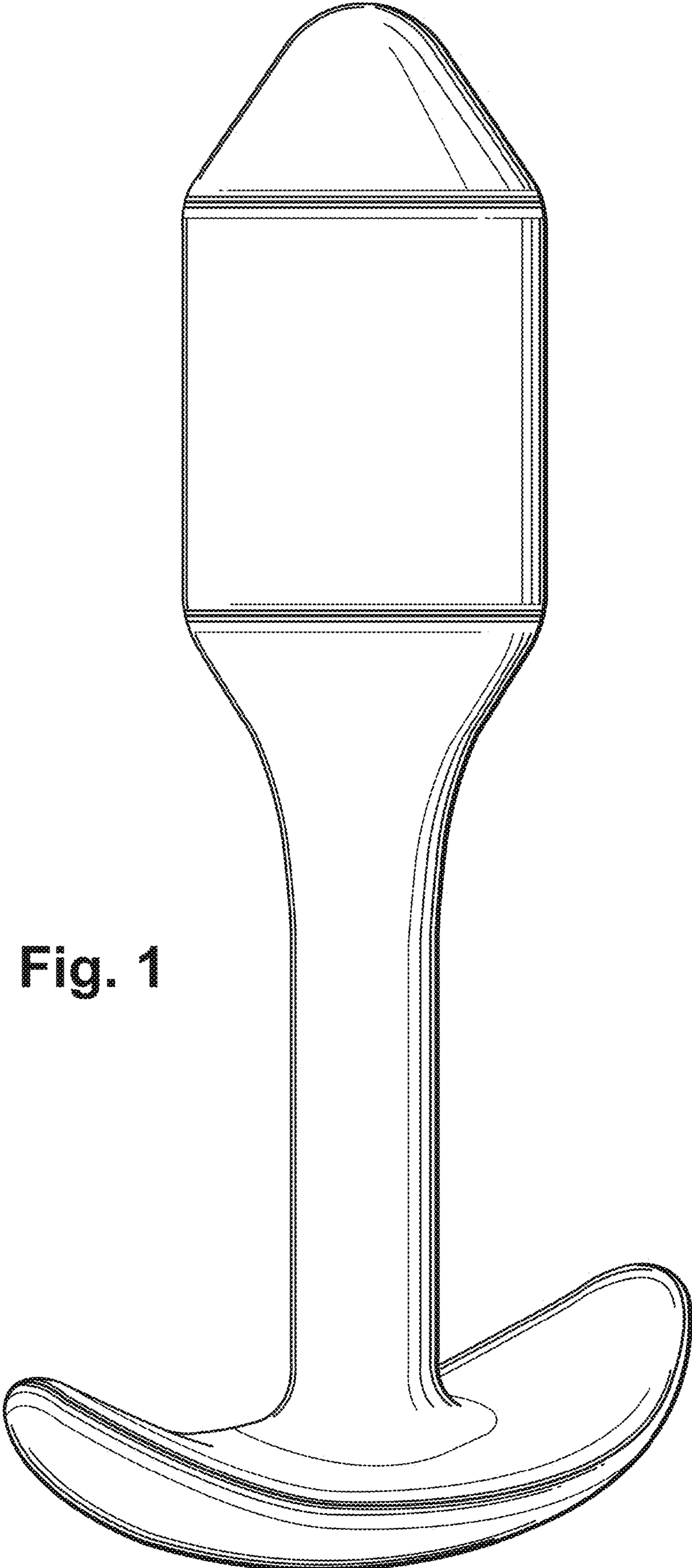


Fig. 1

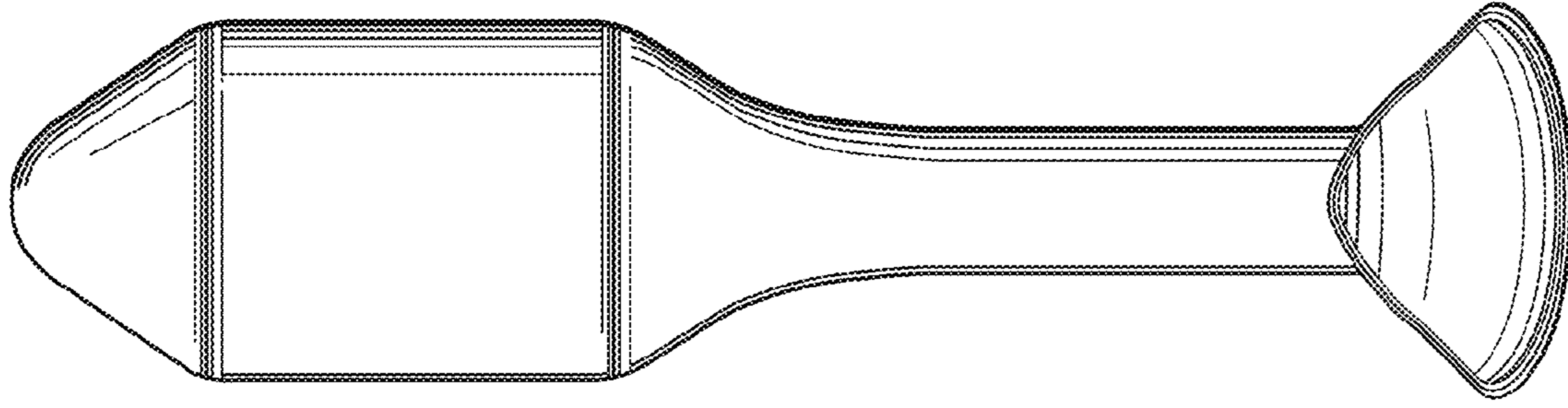


Fig. 2

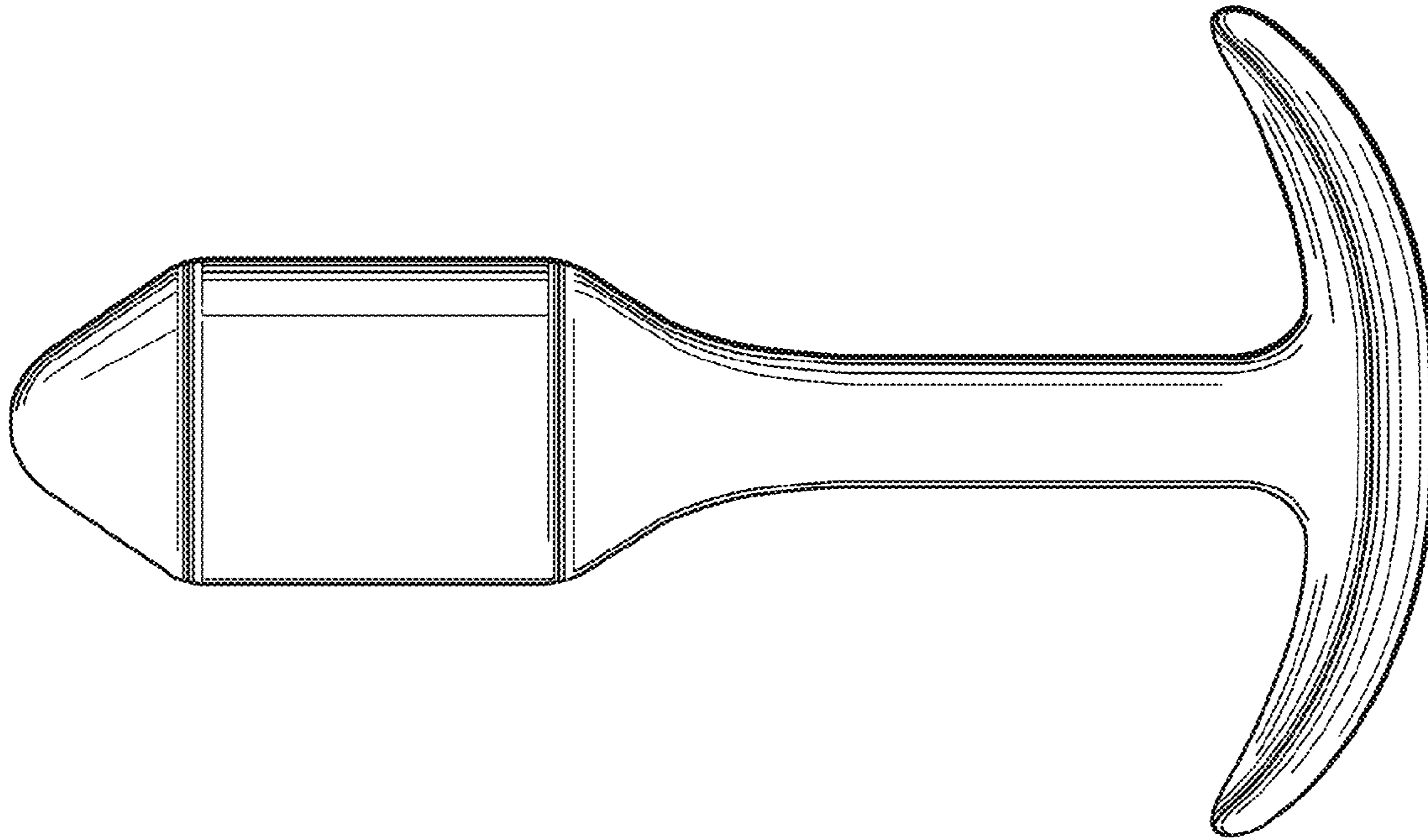


Fig. 3

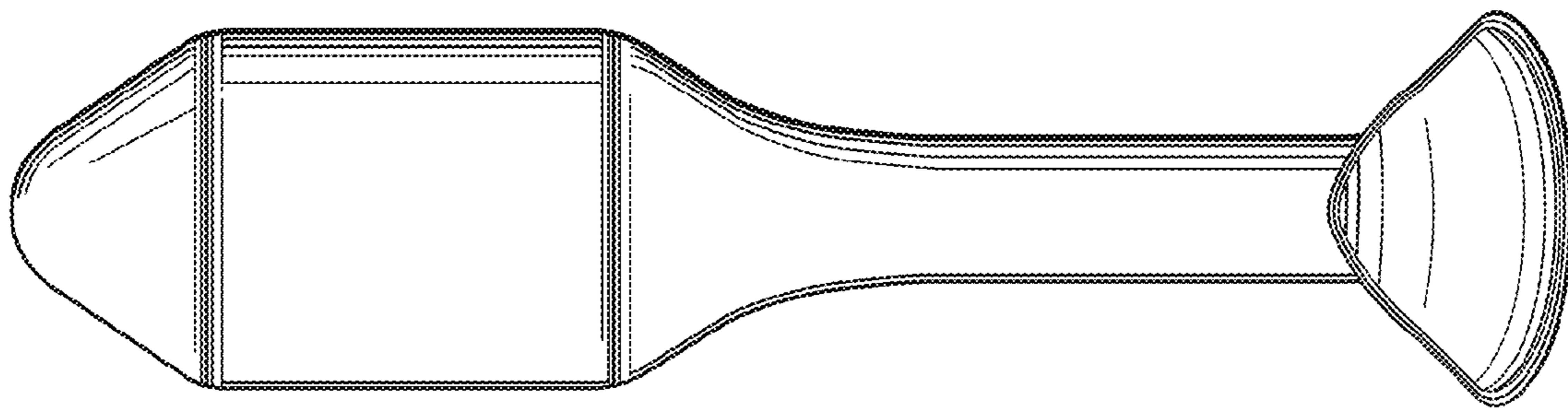
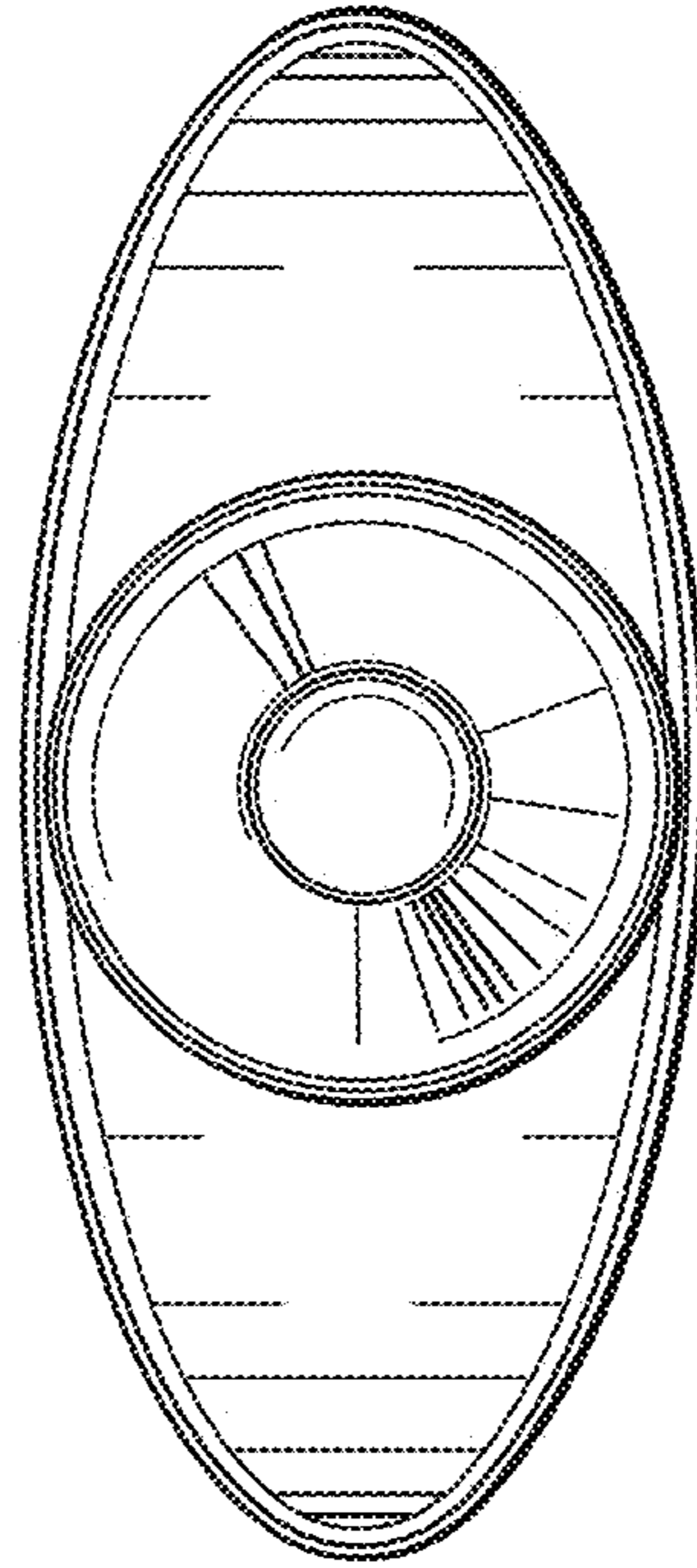
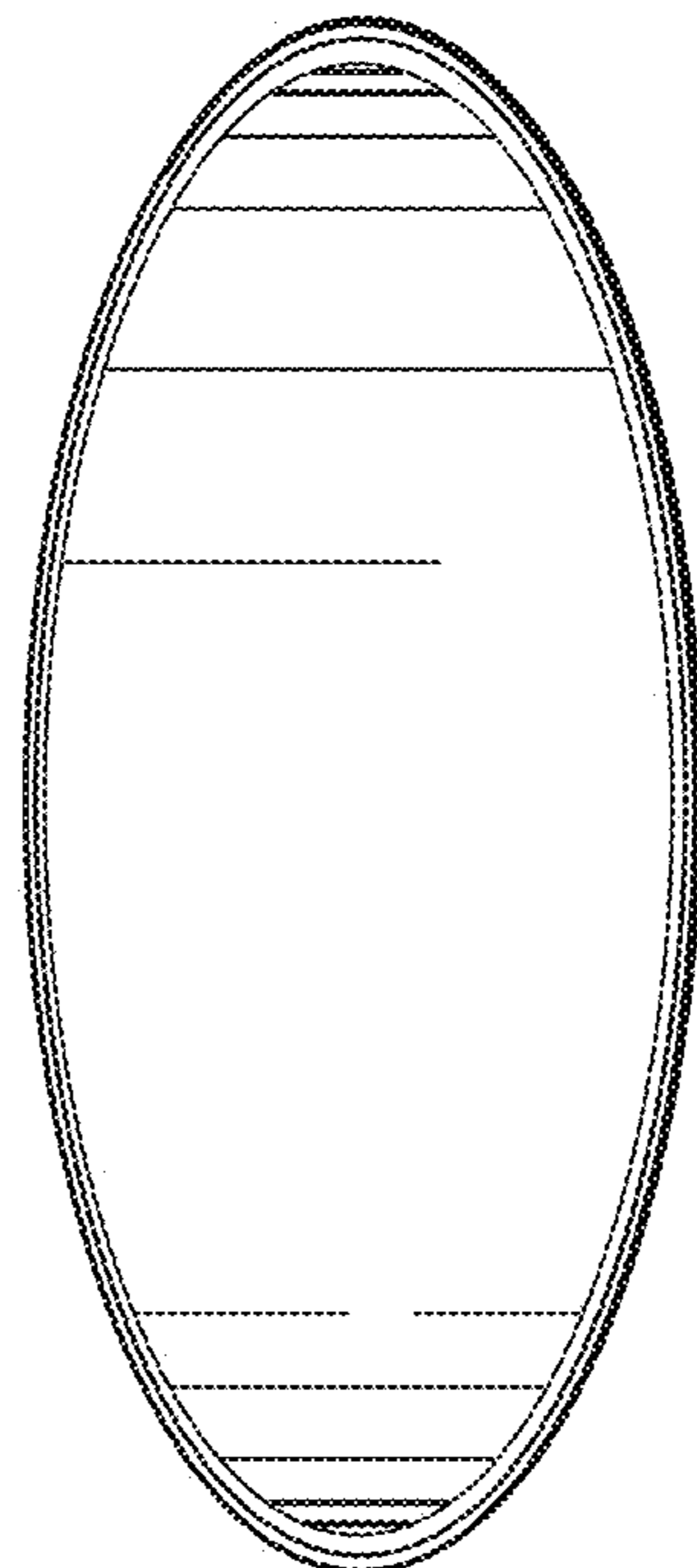


Fig. 4





**Fig. 5**



**Fig. 6**