



US00D942634S

(12) **United States Design Patent**
Eisenberg

(10) **Patent No.:** **US D942,634 S**

(45) **Date of Patent:** **** Feb. 1, 2022**

(54) **HAND FLEXION RESTRICTOR**

(71) Applicant: **Nancy Eisenberg**, W Bloomfield, MI
(US)

(72) Inventor: **Nancy Eisenberg**, W Bloomfield, MI
(US)

(**) Term: **15 Years**

(21) Appl. No.: **29/733,206**

(22) Filed: **Apr. 30, 2020**

(51) **LOC (13) Cl.** **24-02**

(52) **U.S. Cl.**
USPC **D24/190**; D24/188

(58) **Field of Classification Search**
USPC D24/188-190; D2/610, 623; D21/684,
D21/807; D29/113
CPC A61F 5/05866; A61F 5/0118; A41D 13/08
See application file for complete search history.

(56) **References Cited**

U.S. PATENT DOCUMENTS

- 3,496,573 A * 2/1970 Pope A63B 71/148
2/161.6
- 3,703,894 A 11/1972 Galloway
- D264,239 S * 5/1982 Grove, Jr. D21/791
- 5,076,569 A 12/1991 Gootter
- D333,520 S 2/1993 Mann
- 5,304,080 A * 4/1994 Dilger A63B 31/10
441/58
- D363,146 S * 10/1995 Pando D29/113
- 5,479,660 A * 1/1996 Najac A41D 13/082
2/161.1
- 5,593,353 A 1/1997 Kramer
- D463,566 S * 9/2002 Slautterback D24/190
- 6,503,216 B1 * 1/2003 Thibodo, Jr. A61F 5/0118
2/16
- 6,547,752 B2 4/2003 Holland
- 6,913,582 B2 7/2005 Chen

- D583,103 S * 12/2008 Holden D29/113
- D659,289 S * 5/2012 von Heland D29/113
- D783,227 S * 4/2017 Ledingham A41D 13/081
D2/610

(Continued)

FOREIGN PATENT DOCUMENTS

- CA 149962 * 2/2014
- WO WO9504507 2/1995

OTHER PUBLICATIONS

DeRoyal Hand Splint Ulnar Deviation Splint 202, Medical Broker, [Post date Oct. 20, 2020], [Site seen Oct. 12, 2021], Seen at URL: https://e-medicalbroker.com/en/products/braces-supports/wrist-fingers/neurological-hand-support/deroyal-hand-splint-ulnar-deviation-splint-202-3291.html?query_id=1 (Year: 2020).*

(Continued)

Primary Examiner — Natasha Vujcic
Assistant Examiner — Gilbert B Ford

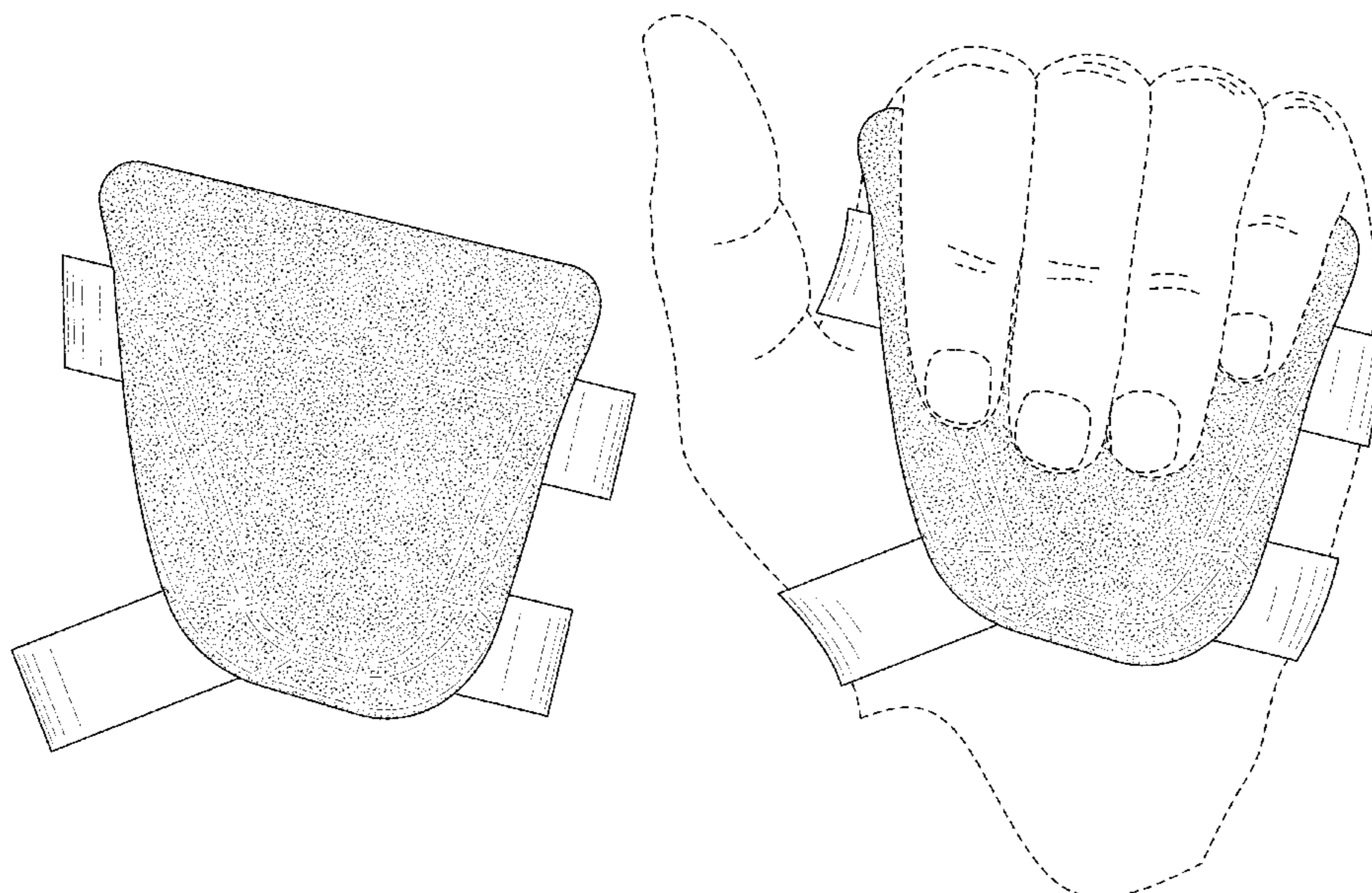
(57) **CLAIM**

The ornamental design for a hand flexion restrictor, as shown and described.

DESCRIPTION

FIG. 1 is a front view of a hand flexion restrictor showing my new design;
FIG. 2 is a rear view of the hand flexion restrictor;
FIG. 3 is a right side view of the hand flexion restrictor;
FIG. 4 is a left side view of the hand flexion restrictor;
FIG. 5 is a top view of the hand flexion restrictor;
FIG. 6 is a bottom view of the hand flexion restrictor;
FIG. 7 is a bottom front side perspective view of the hand flexion restrictor; and,
FIG. 8 is a front view of the hand flexion restrictor in use. The broken lines in FIG. 8 are illustrative of environmental structure forming no part of the claimed design.

1 Claim, 6 Drawing Sheets



(56)

References Cited

U.S. PATENT DOCUMENTS

D799,121 S * 10/2017 Jacobs D29/113
 D837,457 S * 1/2019 Lesosky D29/113
 D909,590 S * 2/2021 Novak D24/190
 2003/0125652 A1* 7/2003 Porrata A61F 5/0118
 602/21
 2004/0176714 A1* 9/2004 Darcey A61F 5/05866
 602/21
 2005/0097650 A1* 5/2005 Query A41D 13/082
 2/21
 2010/0004576 A1 1/2010 Molnar
 2012/0005796 A1* 1/2012 Mauk A41D 13/084
 2/16
 2012/0310130 A1* 12/2012 Crompton A61F 5/0118
 602/21
 2013/0316877 A1 11/2013 Scire
 2014/0182047 A1* 7/2014 Silkoff A63B 71/141
 2/169
 2016/0250511 A1* 9/2016 Nolan A41D 13/082
 482/108
 2020/0093201 A1* 3/2020 Cook A41D 19/01523

OTHER PUBLICATIONS

Plastic hand cone, Ali med, [Postdate unknown], [Site seen Oct. 12, 2021], [Site seen Oct. 12, 2021], Seen at URL: https://www.alimed.com/plastic-hand-cone.html?pid=95925&gclid=EAlalQobChMlo5mG-JvF8wIVjKjlCh1QpgxREAQYASABEgJNf_D_BwE (Year: 2021).*

Weightlifting Belt Gloves Fitness Grips Pads Gym Workout Exercises Hand Palm Protector Exercise Body Building Gloves QW, imall, [Post date unknown], [Site seen Oct. 12, 2021] Seen at URL: <https://bit.ly/3iWD0Bf> (Year: 2021).*

* cited by examiner

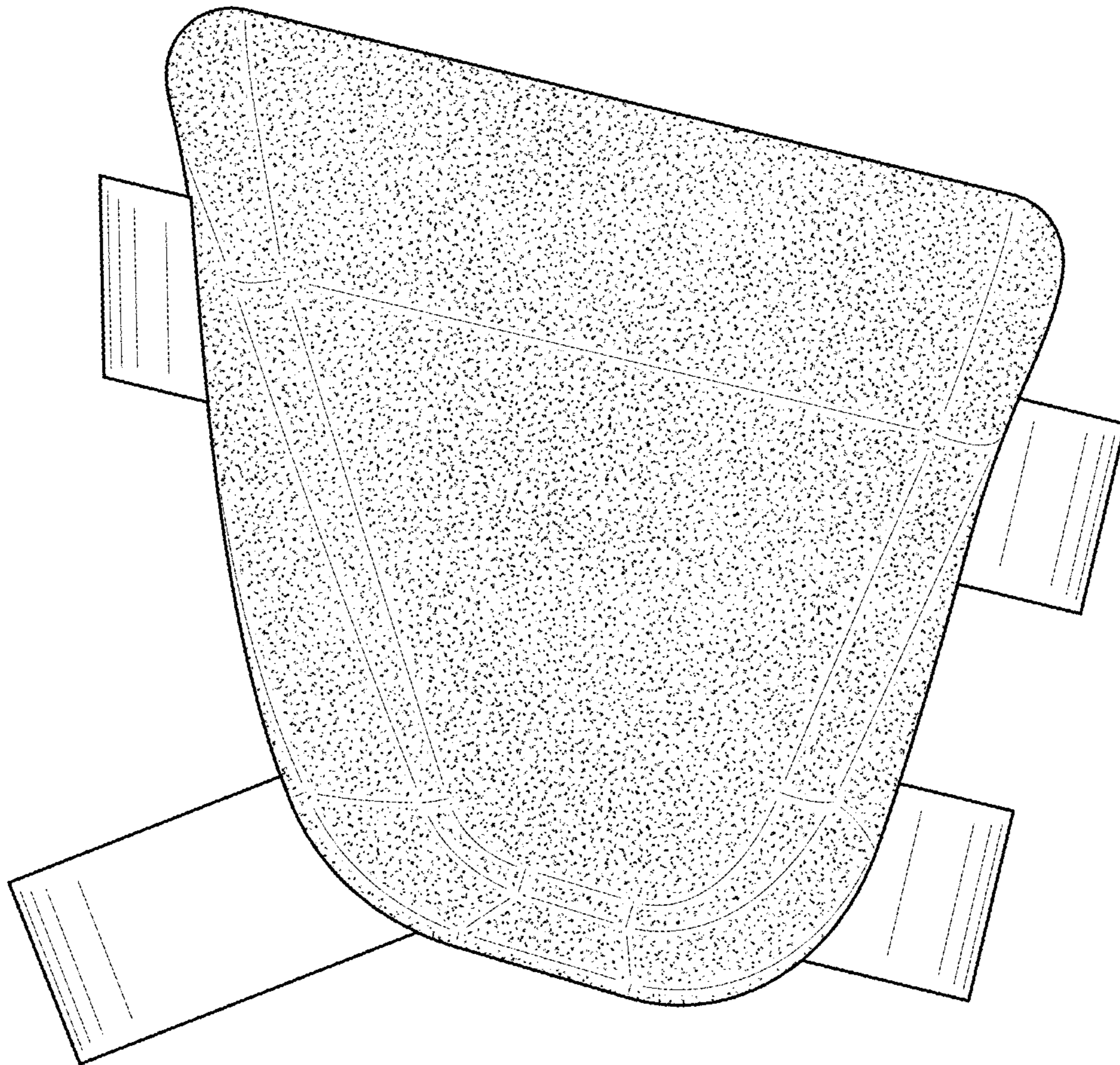


FIG. 1

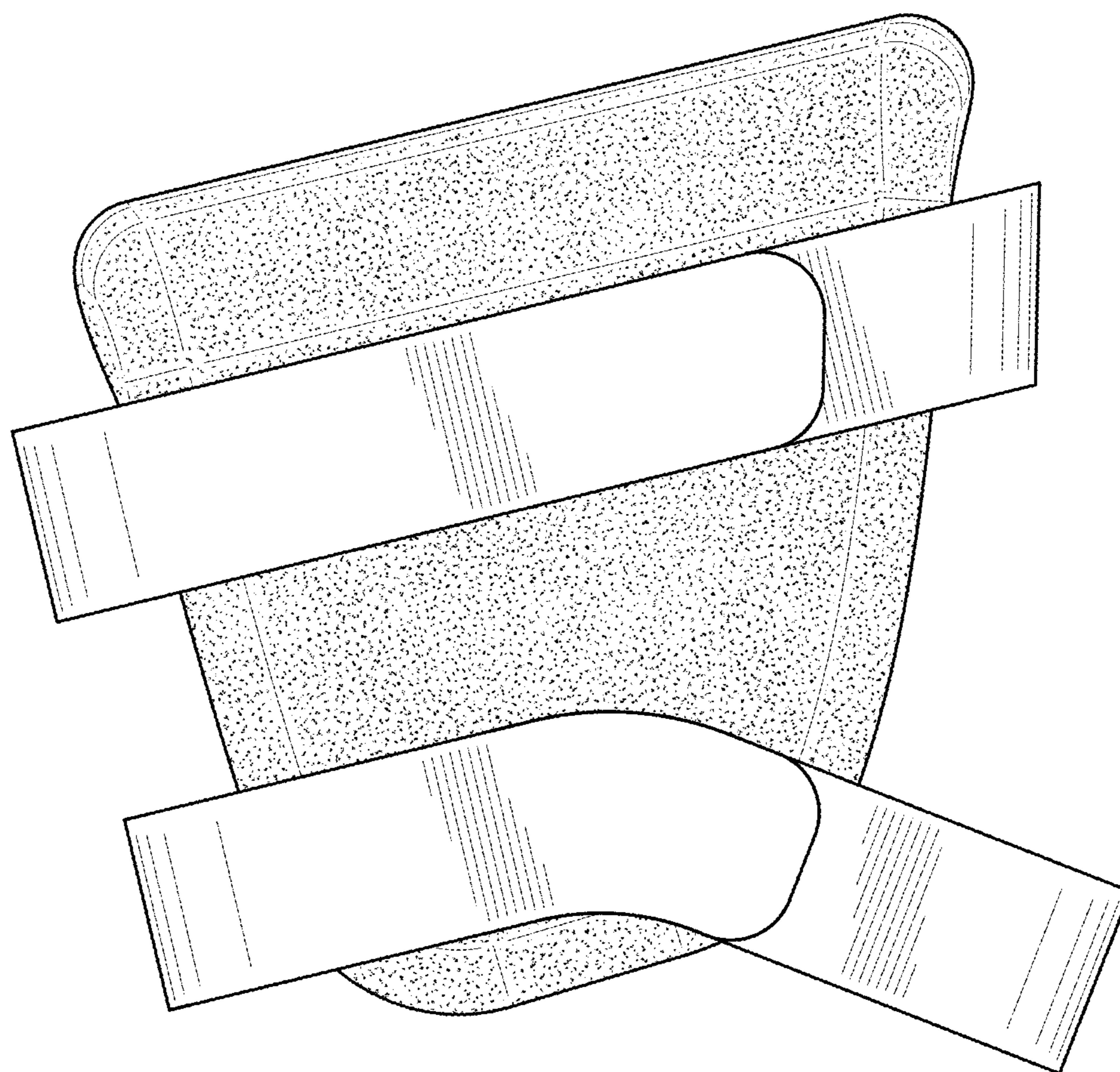


FIG. 2

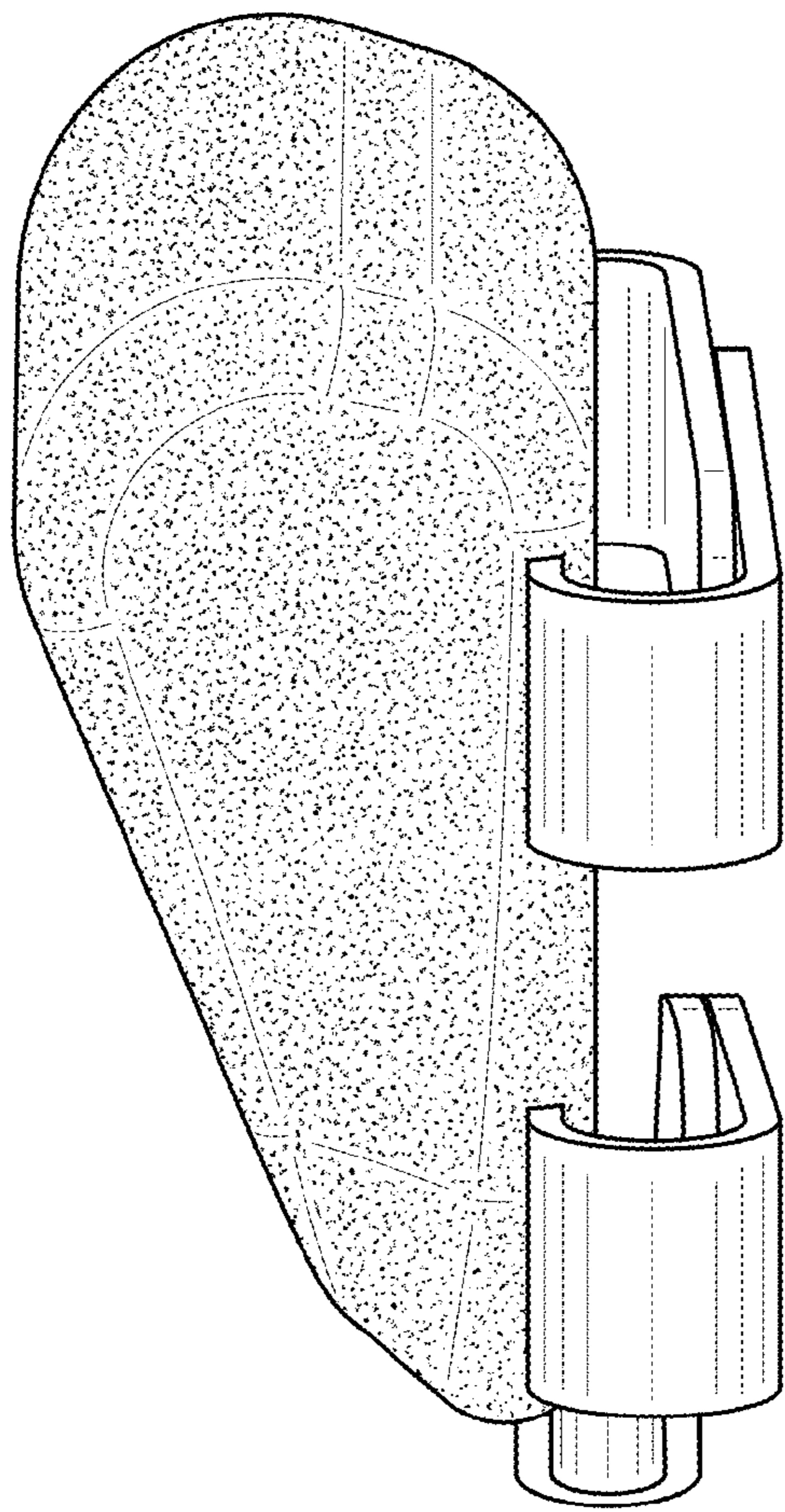


FIG. 3

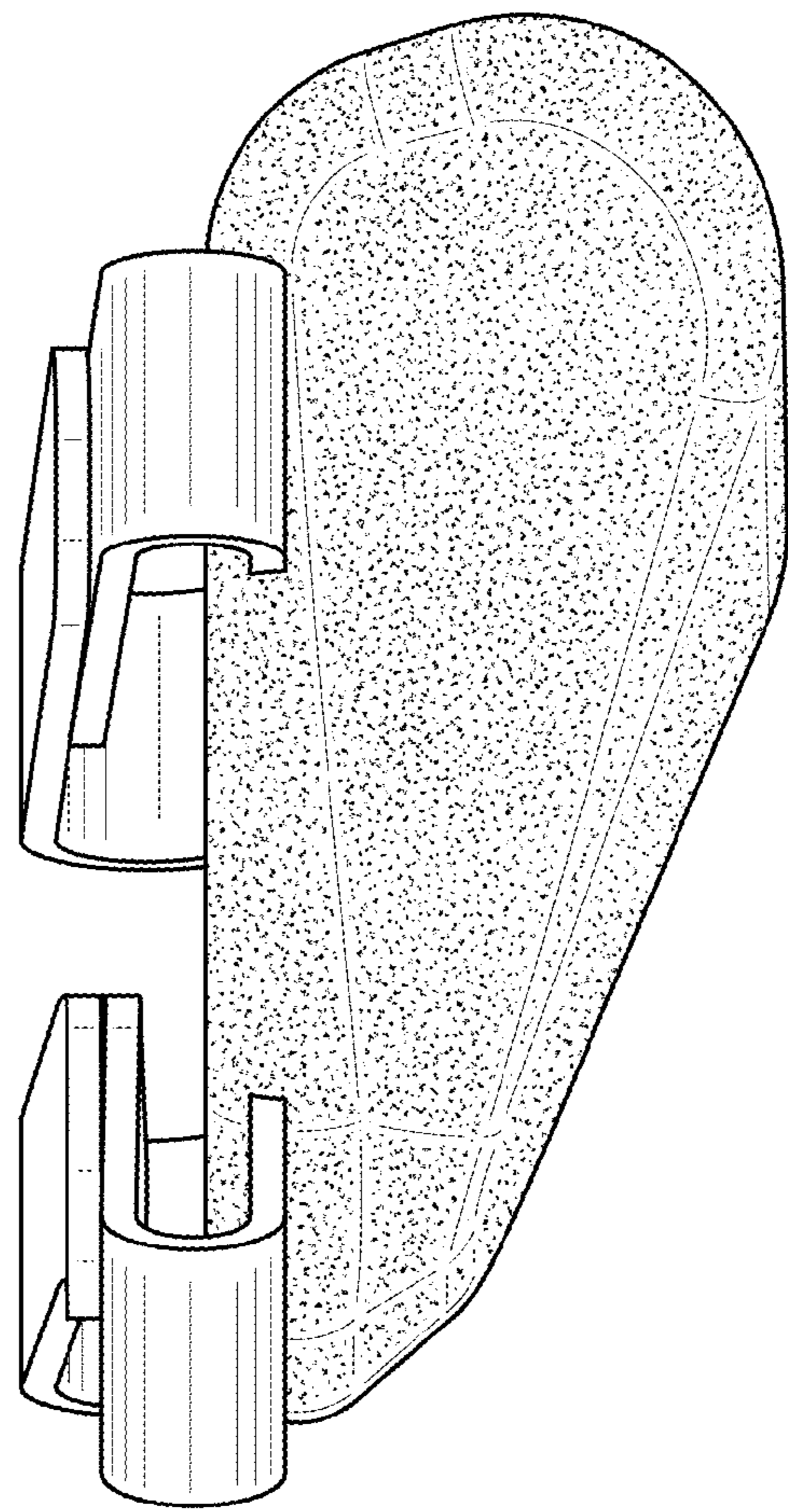


FIG. 4

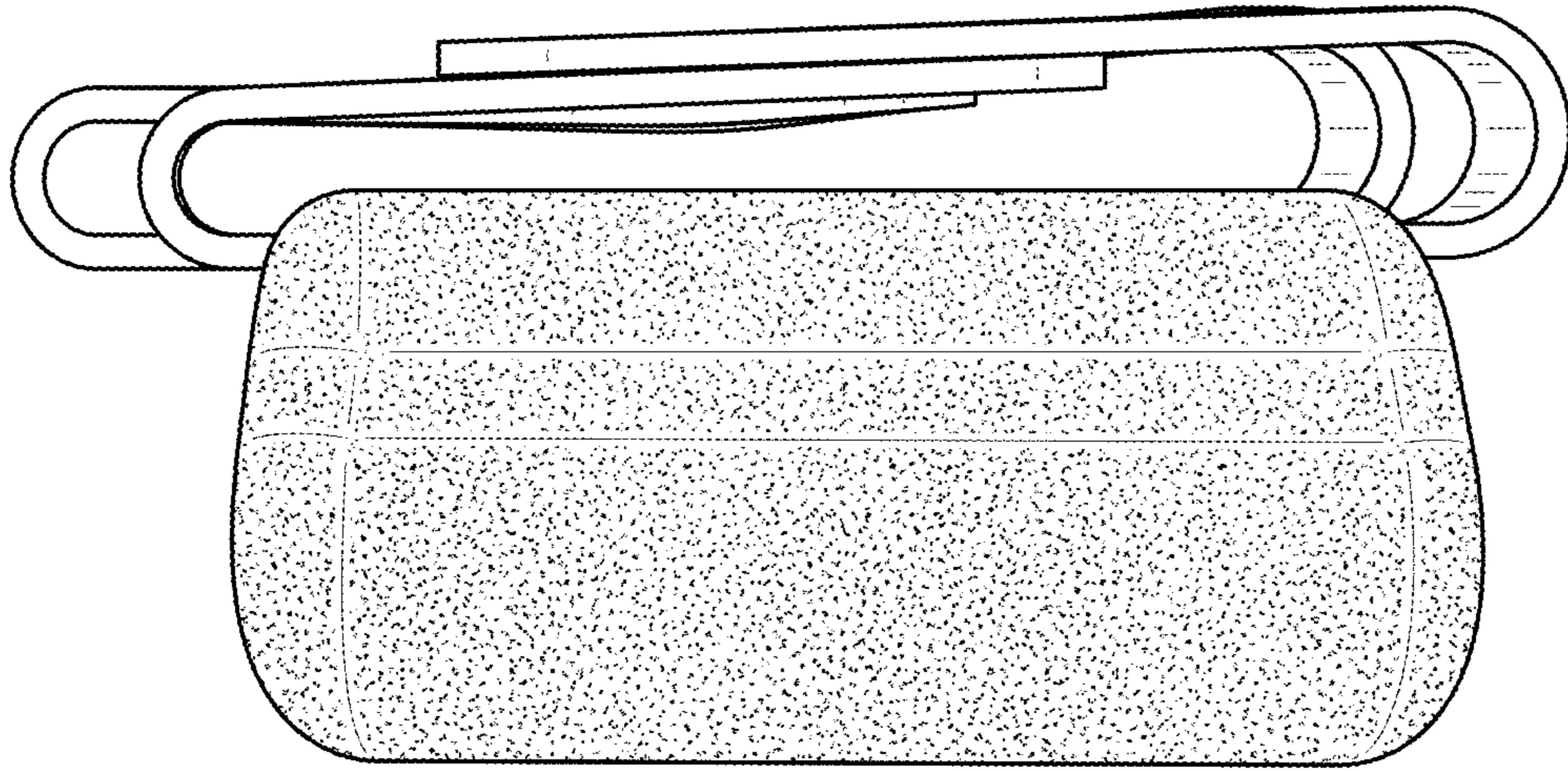


FIG. 5

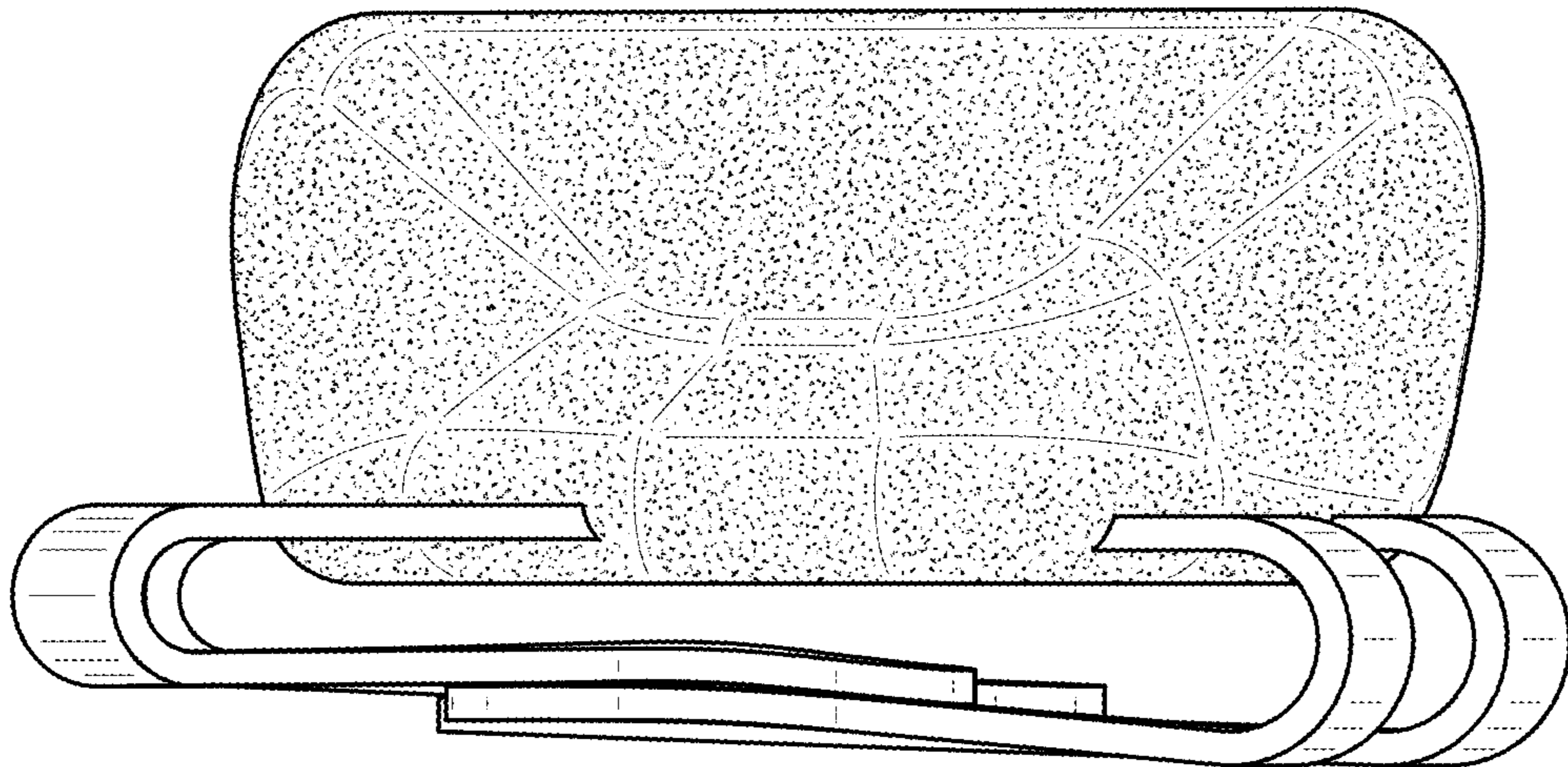


FIG. 6

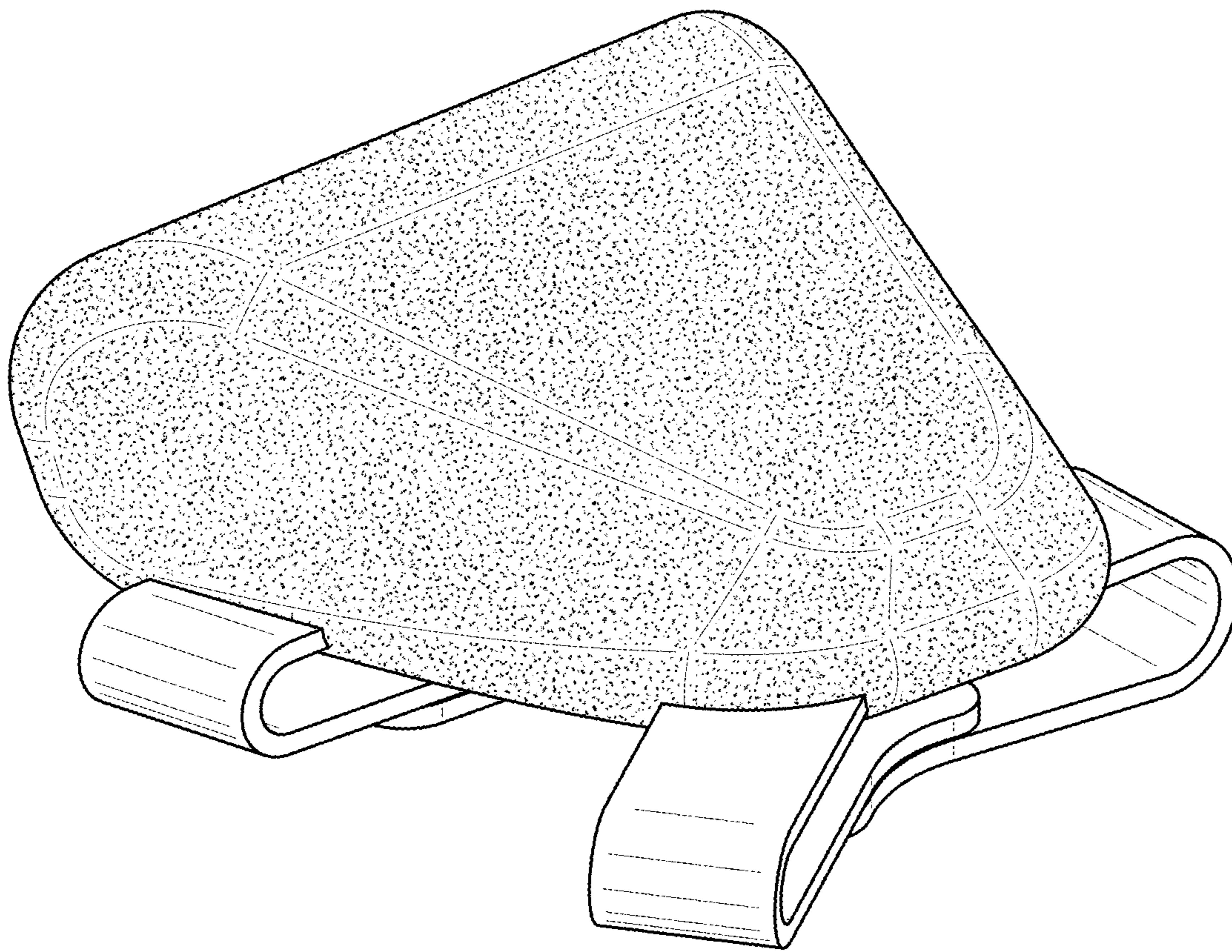


FIG. 7

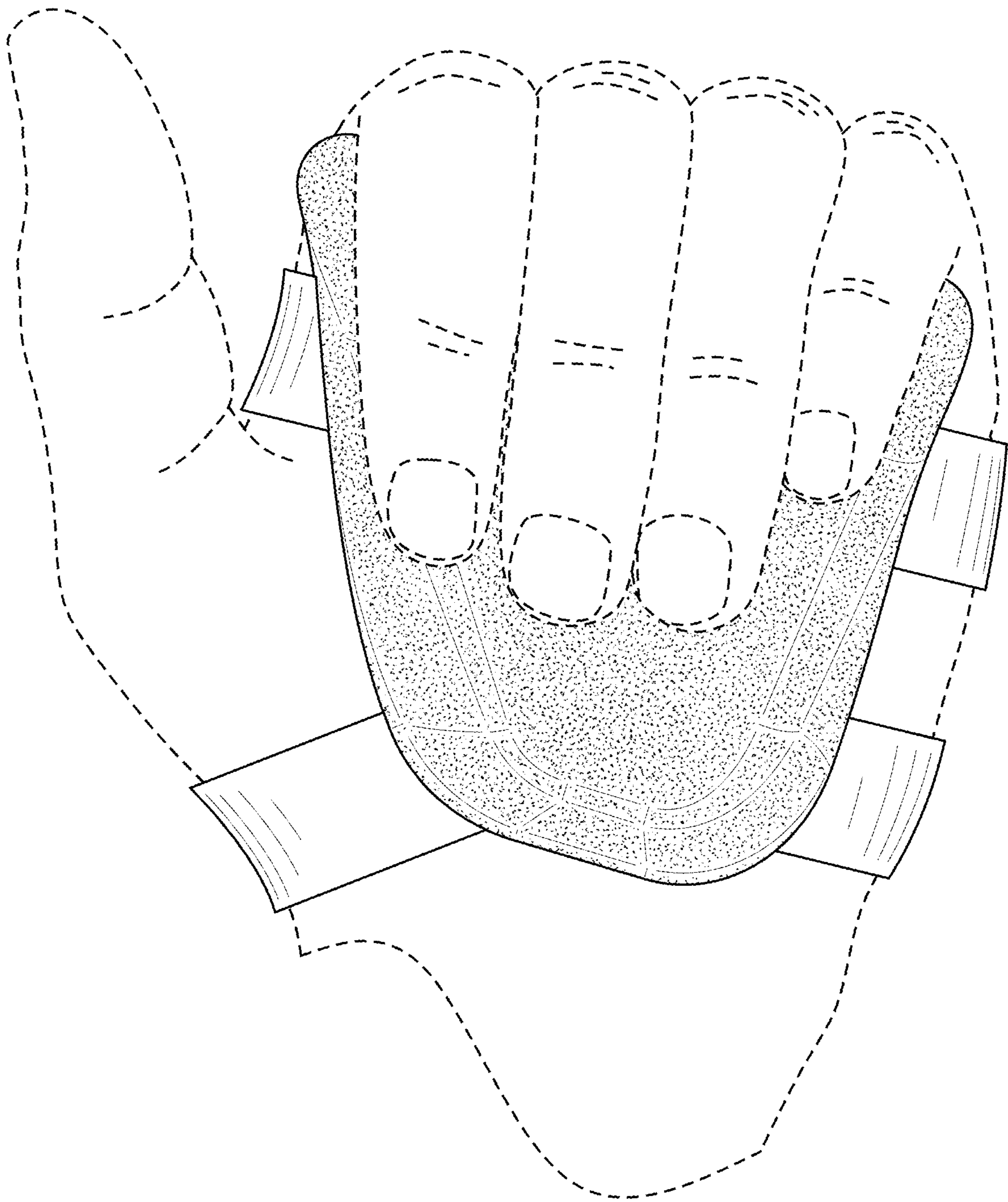


FIG. 8