

US00D942631S

(12) **United States Design Patent** (10) **Patent No.:** **US D942,631 S**
Wodecki et al. (45) **Date of Patent:** **** Feb. 1, 2022**

(54) **MEDICAL IMAGING CART**

2034/303; A61B 2034/304; A61B 2034/305; A61B 2034/306; A61B 34/32; (Continued)

(71) Applicant: **GE Precision Healthcare LLC**, Milwaukee, WI (US)

(72) Inventors: **Lionel Wodecki**, Maisons Alfort (FR); **Yue Wu**, Wuxi (CN); **Li Liu**, Wuxi (CN); **Liangmao He**, Wuxi (CN); **Lanping Liu**, Wuxi (CN)

(56) **References Cited**

U.S. PATENT DOCUMENTS

D606,202 S 12/2009 Banryu
D643,535 S * 8/2011 Ross D24/164
(Continued)

(73) Assignee: **GE Precision Healthcare LLC**, Milwaukee, WI (US)

OTHER PUBLICATIONS

Davis Medical, GE Logiq V2, first available Mar. 2016. ([https://www.davismedical.com/Files/content/JP38778US_LOGIQ%20V2%20Sellsheet%20April%202016%20USA%20\(1\).pdf](https://www.davismedical.com/Files/content/JP38778US_LOGIQ%20V2%20Sellsheet%20April%202016%20USA%20(1).pdf)) (Year: 2016).*
(Continued)

(**) Term: **15 Years**

(21) Appl. No.: **29/700,246**

(22) Filed: **Jul. 31, 2019**

(51) **LOC (13) Cl.** **24-02**

(52) **U.S. Cl.**
USPC **D24/185**

(58) **Field of Classification Search**
USPC D3/203.1, 203.2, 203.3; D6/332, 641, D6/642, 643, 643.1, 644, 645, 646, 647, D6/649, 650, 650.1, 655, 655.1, 655.11, D6/655.12, 655.13, 655.14, 655.15, D6/655.16, 655.17, 655.18, 655.19, 655.2, D6/655.21, 655.22, 655.23, 698, 700, D6/701; D10/40; D13/101, 112, 114, D13/118, 120, 121, 122; D14/300, 301, D14/302, 307, 313, 314; D15/199; D23/200, 202, 207, 209, 210, 499; D24/100, 133, 144, 158, 159, 160, 162, D24/163, 164, 170, 177, 183, 184, 185, D24/186, 187, 216, 217, 227, 228, 229, D24/230, 231, 232, 233, 234; D25/15; D34/12, 14

CPC A61B 17/00; A61B 2017/00013; A61B 2017/00199; A61B 2017/00212; A61B 17/00234; A61B 2017/00349; A61B 2017/00353; A61B 34/00; A61B 34/30; A61B 2034/301; A61B 2034/302; A61B

Primary Examiner — Lauren D McVey
Assistant Examiner — Justin A Johnson
(74) *Attorney, Agent, or Firm* — McCoy Russell LLP

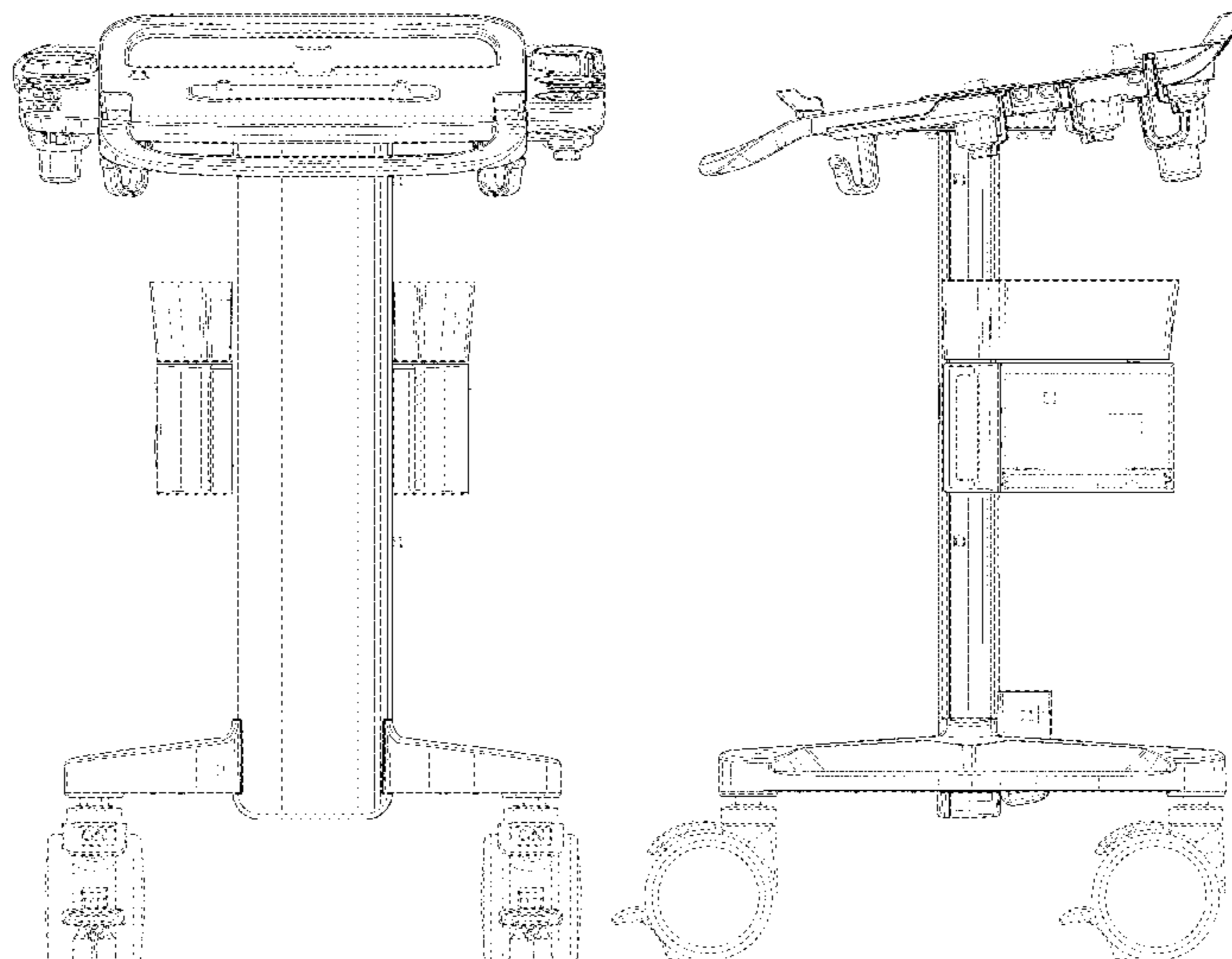
(57) **CLAIM**

The ornamental design for a medical imaging cart, as shown and described.

DESCRIPTION

FIG. 1 is a front perspective view of a medical imaging cart according to the claimed design.
FIG. 2 is a rear perspective view of the medical imaging cart.
FIG. 3 is a front view of the medical imaging cart.
FIG. 4 is a rear view of the medical imaging cart.
FIG. 5 is a right side view of the medical imaging cart.
FIG. 6 is a left side view of the medical imaging cart.
FIG. 7 is a top view of the medical imaging cart; and, FIG. 8 is a bottom view of the medical imaging cart.
The broken lines immediately adjacent to the shaded areas depict the bounds of the claimed design, while all other broken lines are directed to environment. The broken lines form no part of the claimed design.

1 Claim, 8 Drawing Sheets



(58) **Field of Classification Search**

CPC A61B 34/35; A61B 34/37; A61B 90/40;
 A61B 2090/401; A61B 50/00; A61B
 50/10; A61B 2050/105; A61B 50/13;
 A61B 50/15; A61B 2050/185; A61B
 50/20; A61B 2050/21; A61B 50/22; A61B
 50/24; A61B 50/26; A61B 50/30; A61B
 50/3001; A61B 2050/3004; A61B
 2050/3005; A61B 2050/3006; A61B
 2050/3007; A61B 2050/3008; A61B
 2050/3009; A61B 2050/3011; A61B
 34/20; A61B 50/33; A61B 50/34; A61B
 5/0033; A61B 5/0035; A61B 5/0036;
 A61B 5/0037; A61B 5/004; A61B
 5/0042; A61B 5/0044; A61G 12/00;
 A61G 12/001; A61G 12/002; A61G
 12/004; A61G 12/005; A61G 12/007;
 A61G 12/008; A61J 7/00; A61J 7/0069;
 A61J 7/0076; A61J 7/0084; A61J 7/02;
 A61J 7/04; A61J 7/0409; A61J 7/0418;
 A61J 7/0427; A61J 7/0436; A61J 7/0445;
 A61J 7/0454; A61J 7/0463; A61J 7/0472;
 A61J 7/0481; A61J 7/049; B01L
 3/502707; B01L 3/5027; B62B 3/00;
 B62B 3/002; B62B 3/02; B62B 5/06;
 B62B 5/061; B62B 5/064; B62B 5/065;
 B62B 5/066; B62B 5/067; B65D 83/04;
 B65D 83/0409; B65D 83/0418; B65D
 83/0427; B65D 83/0436; B65D 83/0445;
 B65D 83/0454; B65D 83/0463; B65D
 83/0472; B65D 83/0481; B65D 83/049;
 G02F 1/00; G02F 1/01; G09G 3/00;
 G09G 3/006; G09G 3/34; G09G 3/3406;
 G09G 3/3413; G09G 3/342; G09G
 3/3426; G16H 20/00; G16H 20/10; G16H
 20/13; G16H 20/17; G16H 20/30; G16H

20/40; G16H 20/60; G16H 20/70; G16H
 20/90; G16H 40/00; G16H 40/60; Y10T
 137/00

See application file for complete search history.

(56)

References Cited

U.S. PATENT DOCUMENTS

D696,783	S	*	12/2013	Chung	D24/185
D699,852	S	*	2/2014	Chung	D24/158
D702,840	S	*	4/2014	Blomquist	D24/164
D712,042	S	*	8/2014	Chung	D24/185
D712,540	S	*	9/2014	Hansen	D24/158
D796,043	S	*	8/2017	Boehner	D24/158
D806,340	S	*	12/2017	Stalter	D34/14
D853,564	S		7/2019	Henderson et al.		
D854,772	S	*	7/2019	Ecklund	A61B 8/4405 D34/12
D876,632	S	*	2/2020	Henderson	F16M 11/24 D24/158
2009/0212670	A1	*	8/2009	Bustle	A47B 21/0314 312/209
2019/0059859	A1	*	2/2019	Pinch	A61B 8/4405
2019/0254420	A1	*	8/2019	Rossini	F16M 11/24

OTHER PUBLICATIONS

Ebay, GE Logiq Vivid Mobile Cart, first available Nov. 7, 2019. (<https://www.ebay.com/itm/GE-Logiq-Vivid-Mobile-Cart-Docking-Cart-W-Three-Probe-Selector-Ref-5252432-/223714601605>) (Year: 2019).*

Ultrasound Portables, Versana Active, first available Aug. 2019. (https://www.ultrasoundportables.com/images/brochures/GE_Versana_Active_Ultrasound_Machine_Brochure.pdf) (Year: 2019).*

Emedi technik, Height adjustable Trolley, first available Dec. 29, 2020. (<https://web.archive.org/web/20201229173523/https://emeditechnik.com/?product=height-adjustable-trolley-for-medical-equipment>) (Year: 2020).*

* cited by examiner

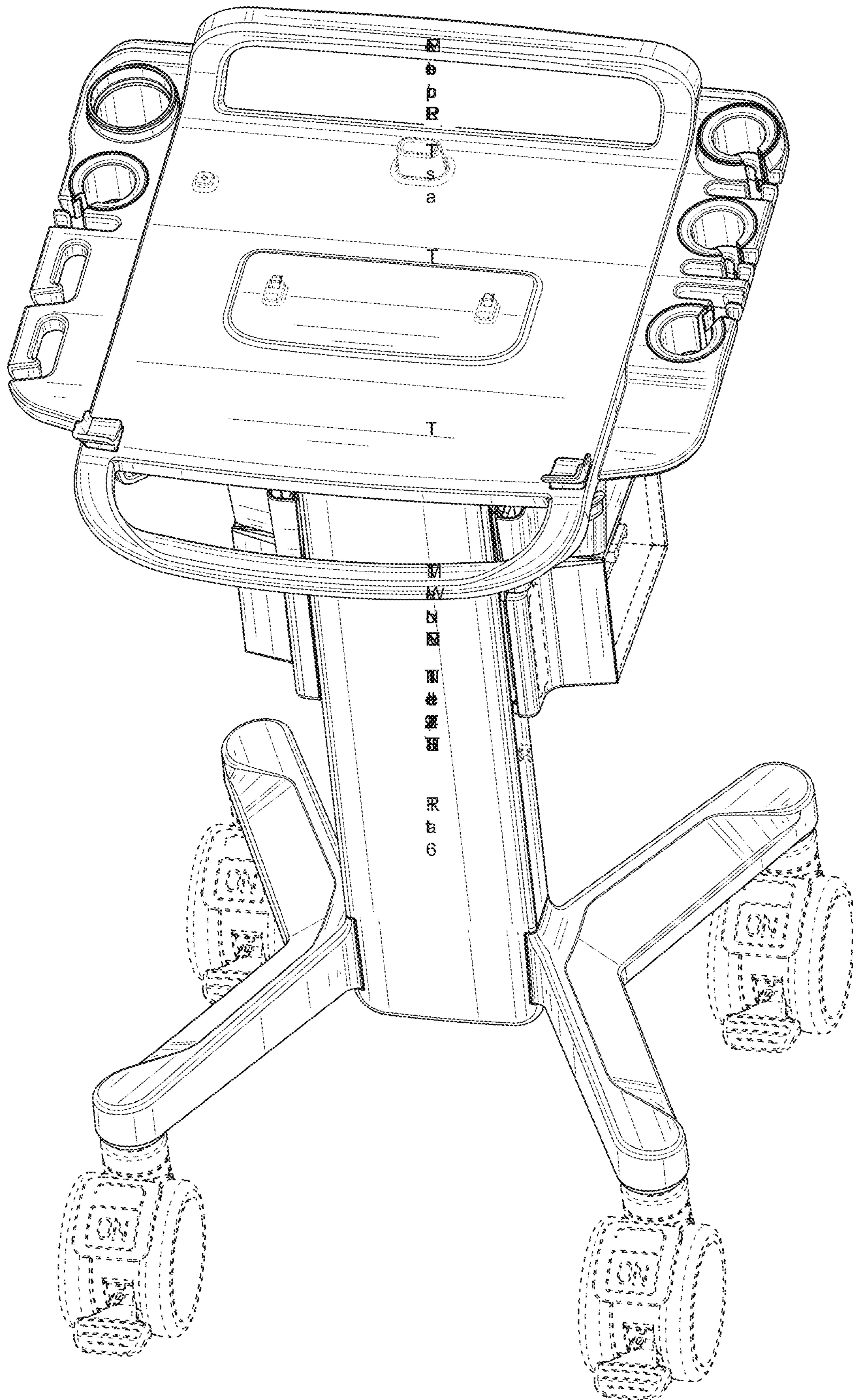


FIG. 1

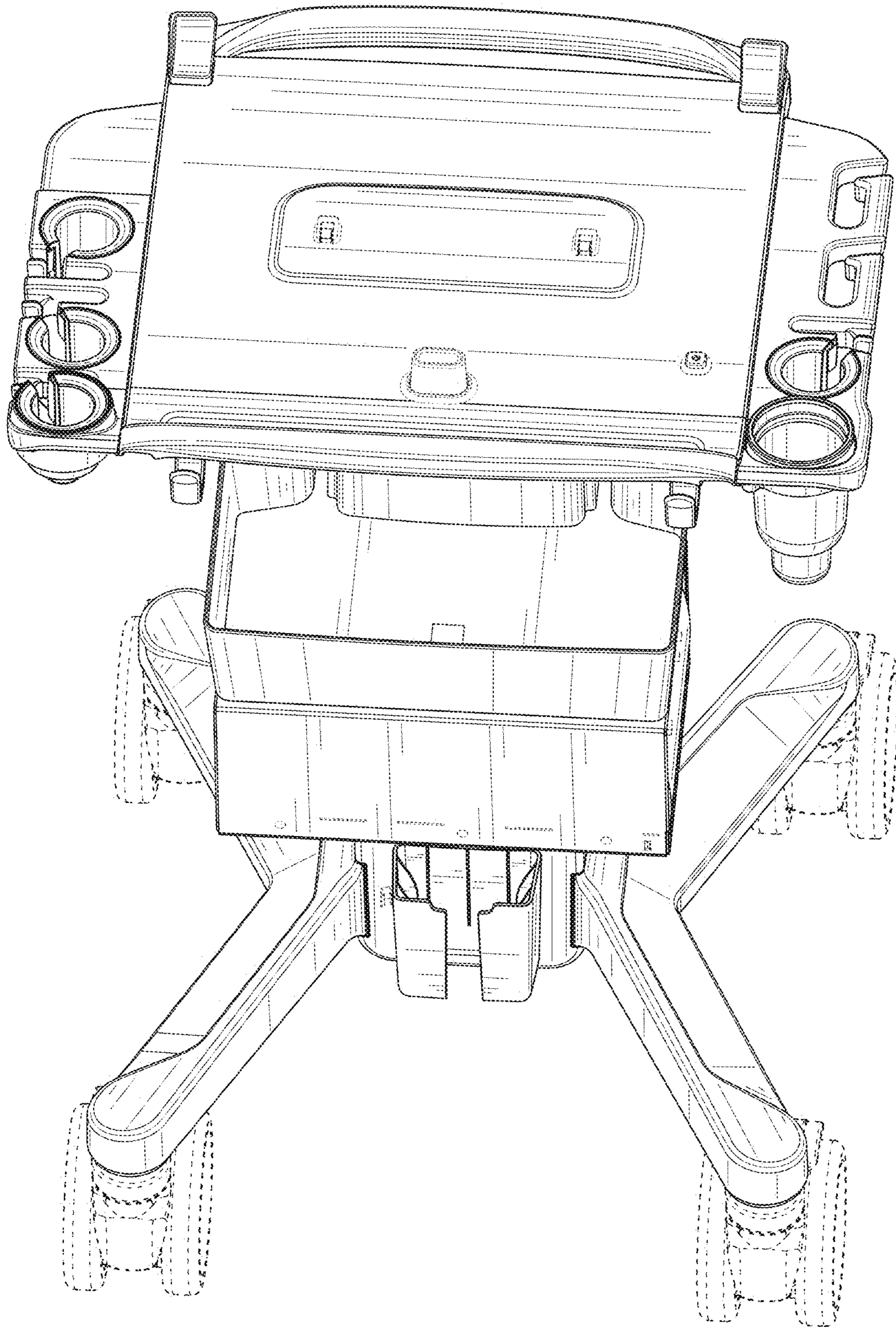


FIG. 2

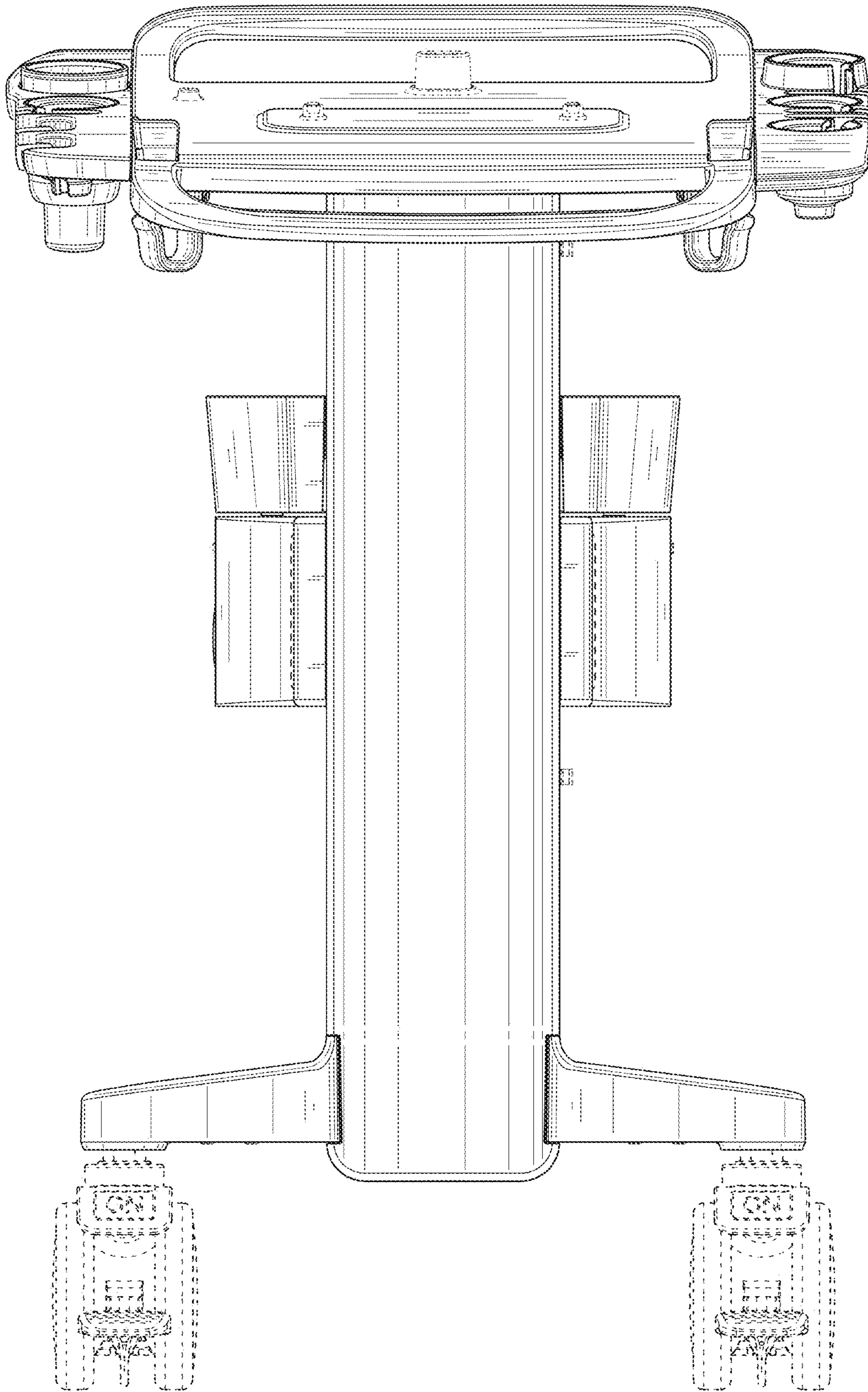


FIG. 3

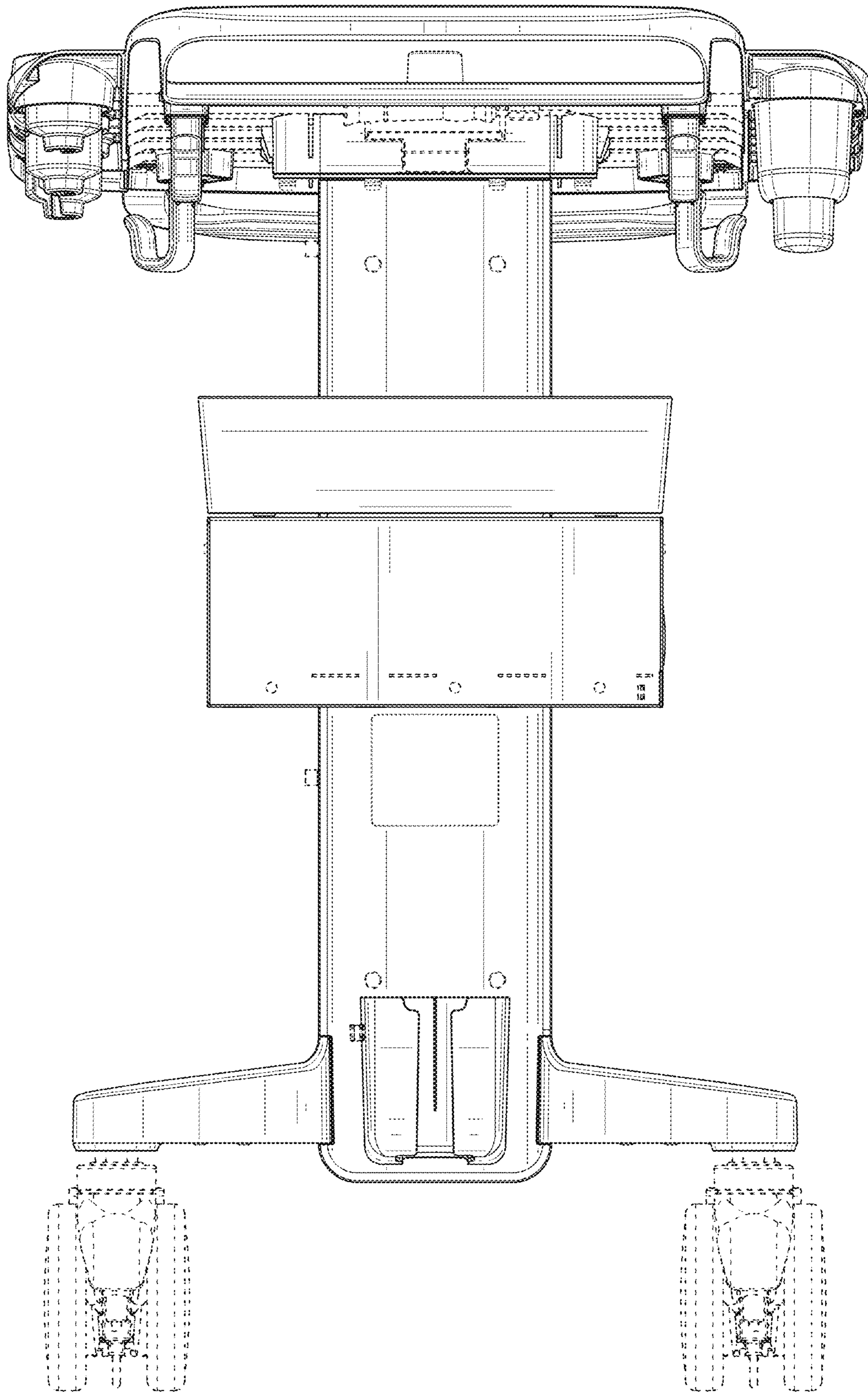


FIG. 4

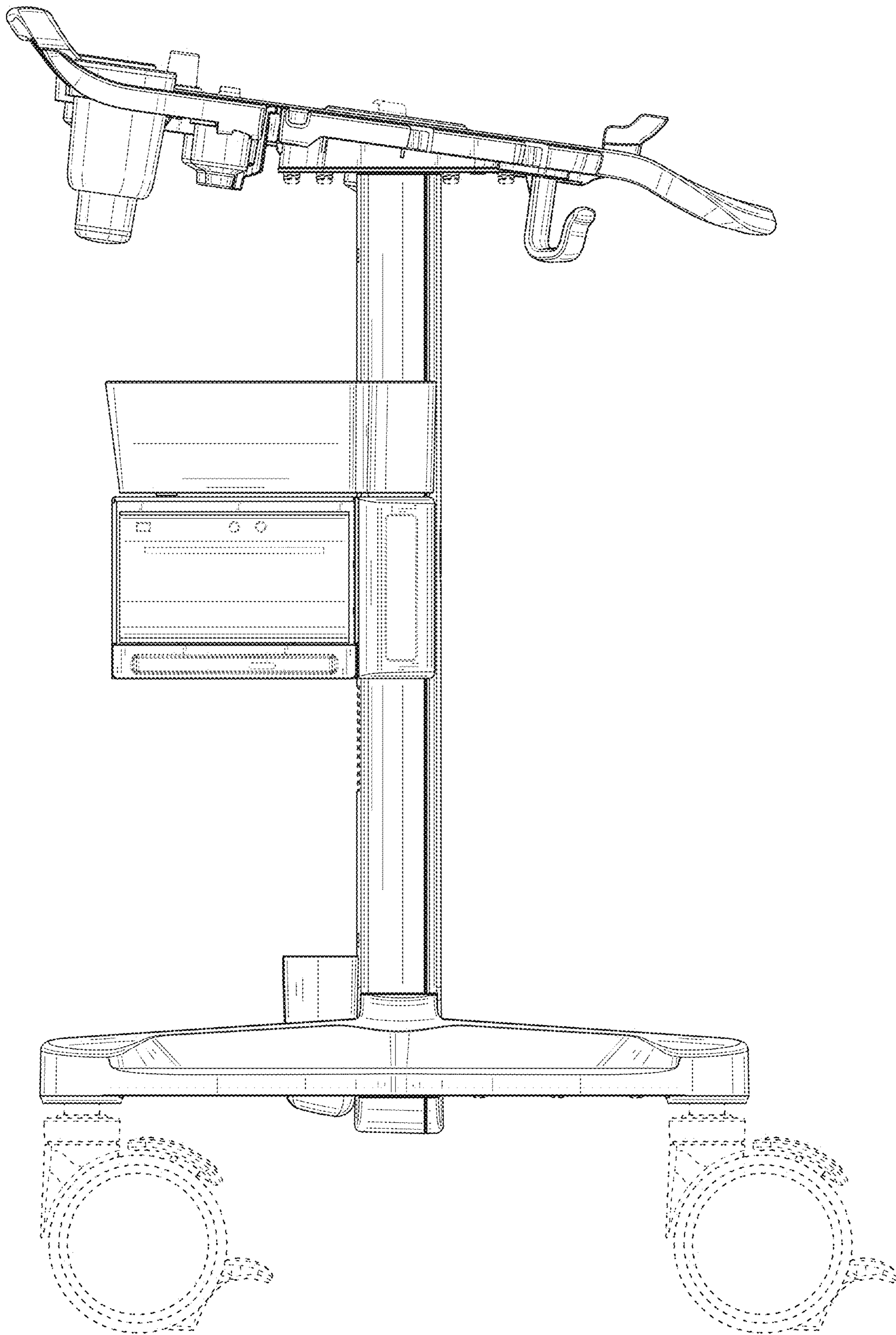


FIG. 5

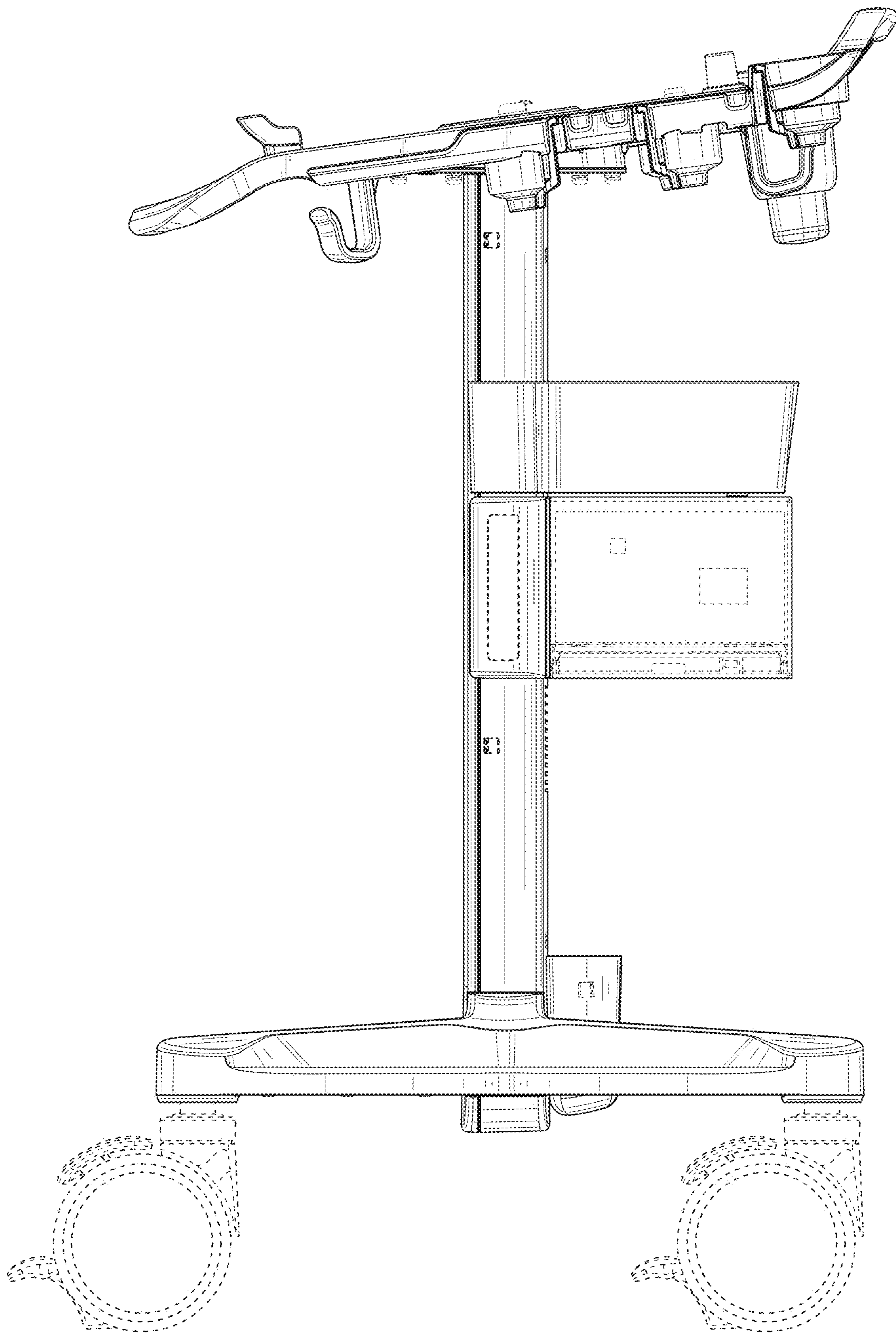


FIG. 6

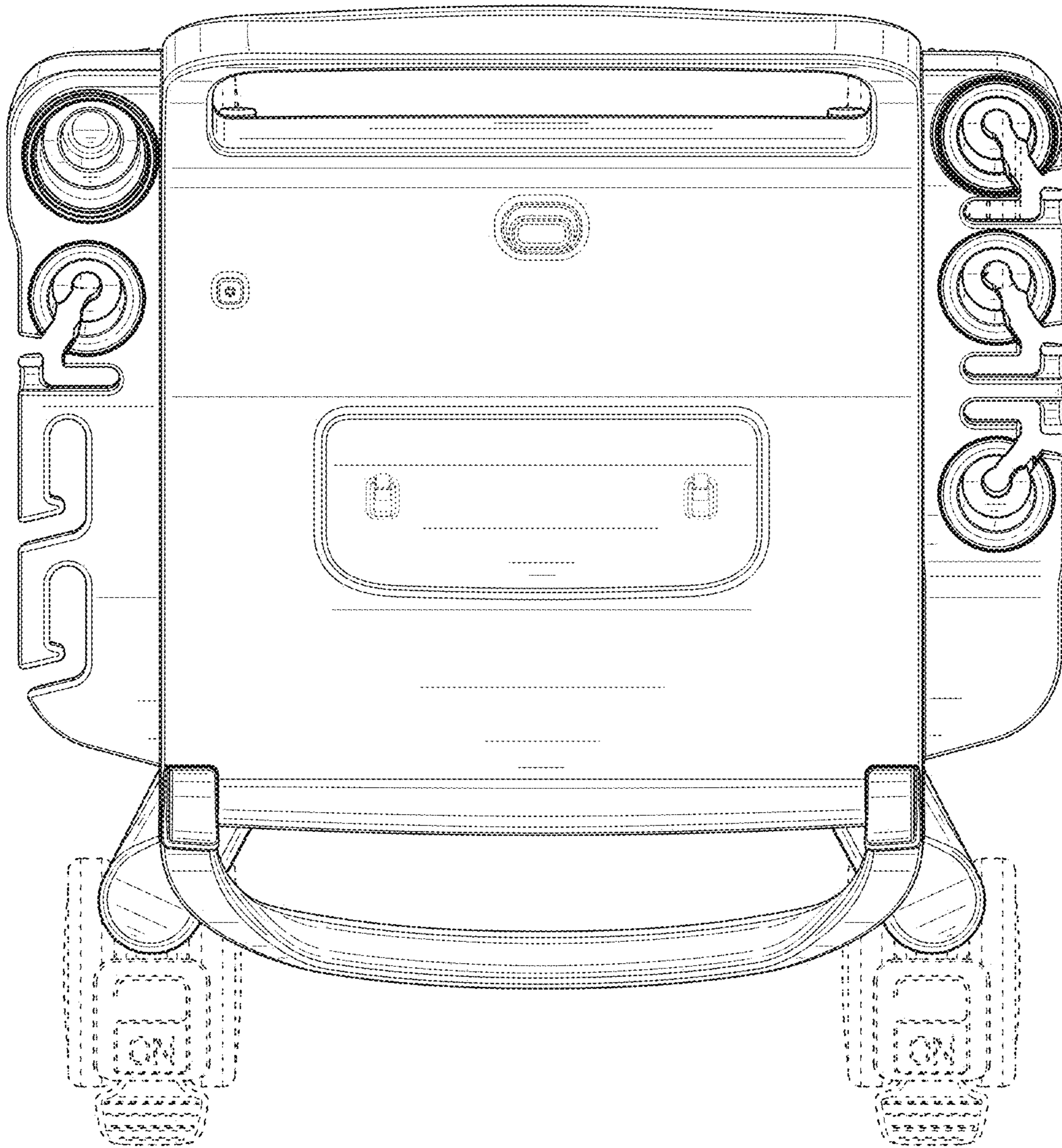


FIG. 7

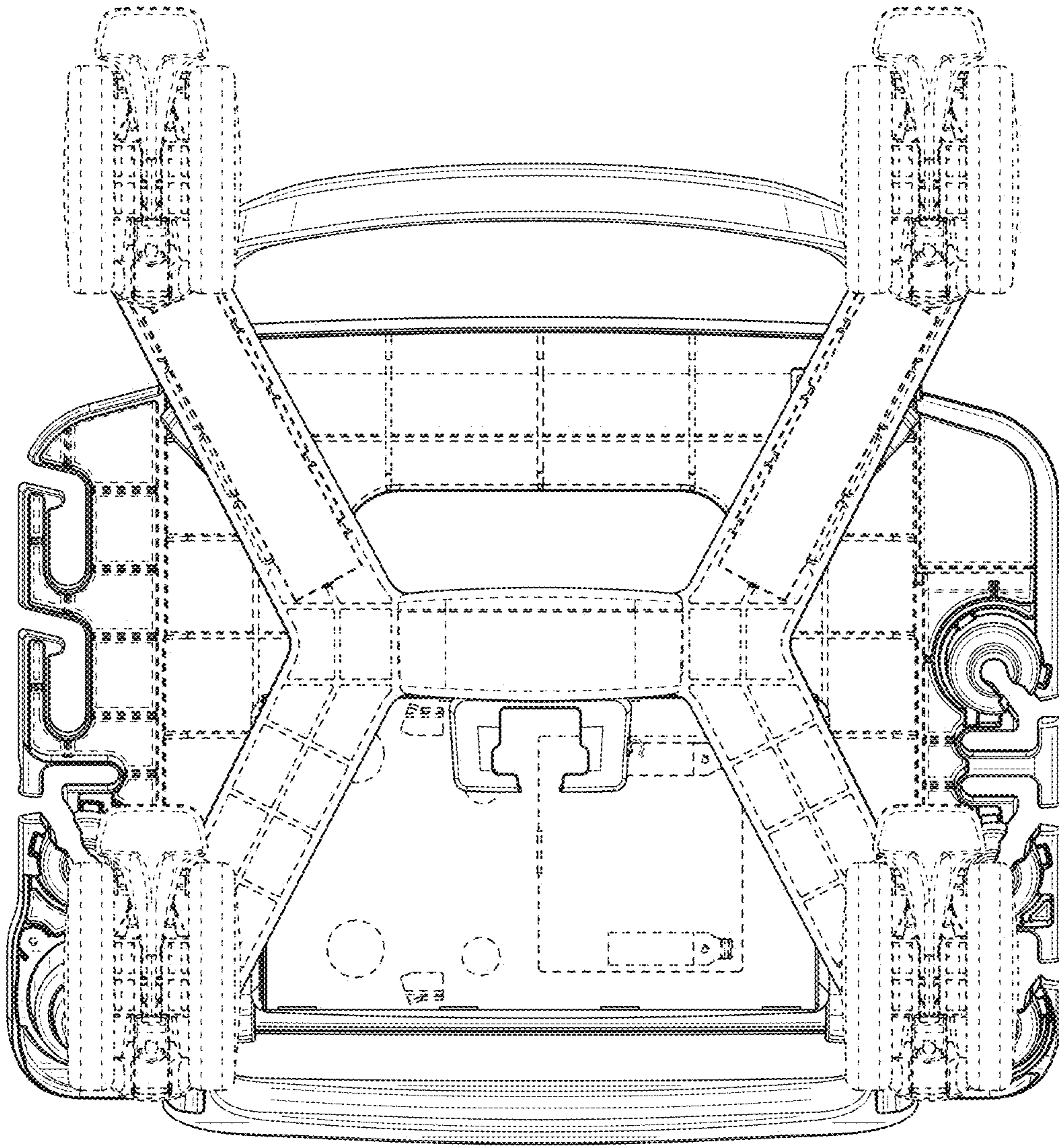


FIG. 8