

US00D942630S

(12) **United States Design Patent**
Zucker et al.

(10) **Patent No.:** **US D942,630 S**
(45) **Date of Patent:** **** Feb. 1, 2022**

(54) **STABILIZING TRANSPORT CUSHION**

7C92700057782320725%7CNB%7C71700000074093058&gclid=EAlalQobChMlg_yDxo3z8glV1To4Ch08Zw2.*

(71) Applicant: **PEDIATRIC MEDICAL LLC**,
Decatur, GA (US)

Primary Examiner — Susan Bennett Hattan
Assistant Examiner — Omeed Agilee

(72) Inventors: **Stefanie Zucker**, Decatur, GA (US);
Stefano M. A. Gobbi Heredia,
Barquisimeto (VE)

(74) *Attorney, Agent, or Firm* — Withers & Keys, LLC

(73) Assignee: **PEDIATRIC MEDICAL LLC**,
Decatur, GA (US)

(57) **CLAIM**

The ornamental design for a stabilizing transport cushion, as shown and described.

(**) Term: **15 Years**

DESCRIPTION

(21) Appl. No.: **29/735,296**

FIG. 1 is a perspective view of a stabilizing transport cushion showing our new design;

(22) Filed: **May 20, 2020**

FIG. 2 is a perspective side view of the stabilizing transport cushion;

(51) **LOC (13) Cl.** **24-02**

FIG. 3 is a front view of the stabilizing transport cushion;

(52) **U.S. Cl.**
USPC **D24/184; D24/183**

FIG. 4 is rear view of the stabilizing transport cushion;

(58) **Field of Classification Search**
USPC D24/183, 184, 190–192; D29/120.1,
D29/121.1, 122, 121.2; D6/339, 353,
(Continued)

FIG. 5 is a left-side view of the stabilizing transport cushion;

(56) **References Cited**

U.S. PATENT DOCUMENTS

D224,955 S * 10/1972 Tipton D6/716.1
D301,166 S * 5/1989 Miklja D24/183
(Continued)

FIG. 6 is a right-side view of the stabilizing transport cushion;

FOREIGN PATENT DOCUMENTS

KR 3020160005246 * 5/2016

FIG. 7 is a bottom view of the stabilizing transport cushion;

OTHER PUBLICATIONS

Thule Chariot Infant Sling, Online, published date unknown. Retrieved on Sep. 9, 2021 from URL: https://www.rei.com/product/139128/thule-chariot-infant-sling?sku=1391280001&store=34&cm_mmc=PLA_Google%7C21700000001700551_1391280001%7C92700057782320725%7CNB%7C71700000074093058&gclid=EAlalQobChMlg_yDxo3z8glV1To4Ch08Zw2.*

FIG. 8 is a top view of the stabilizing transport cushion;

FIG. 9 is an enlarged view of area 9 shown in FIG. 8;

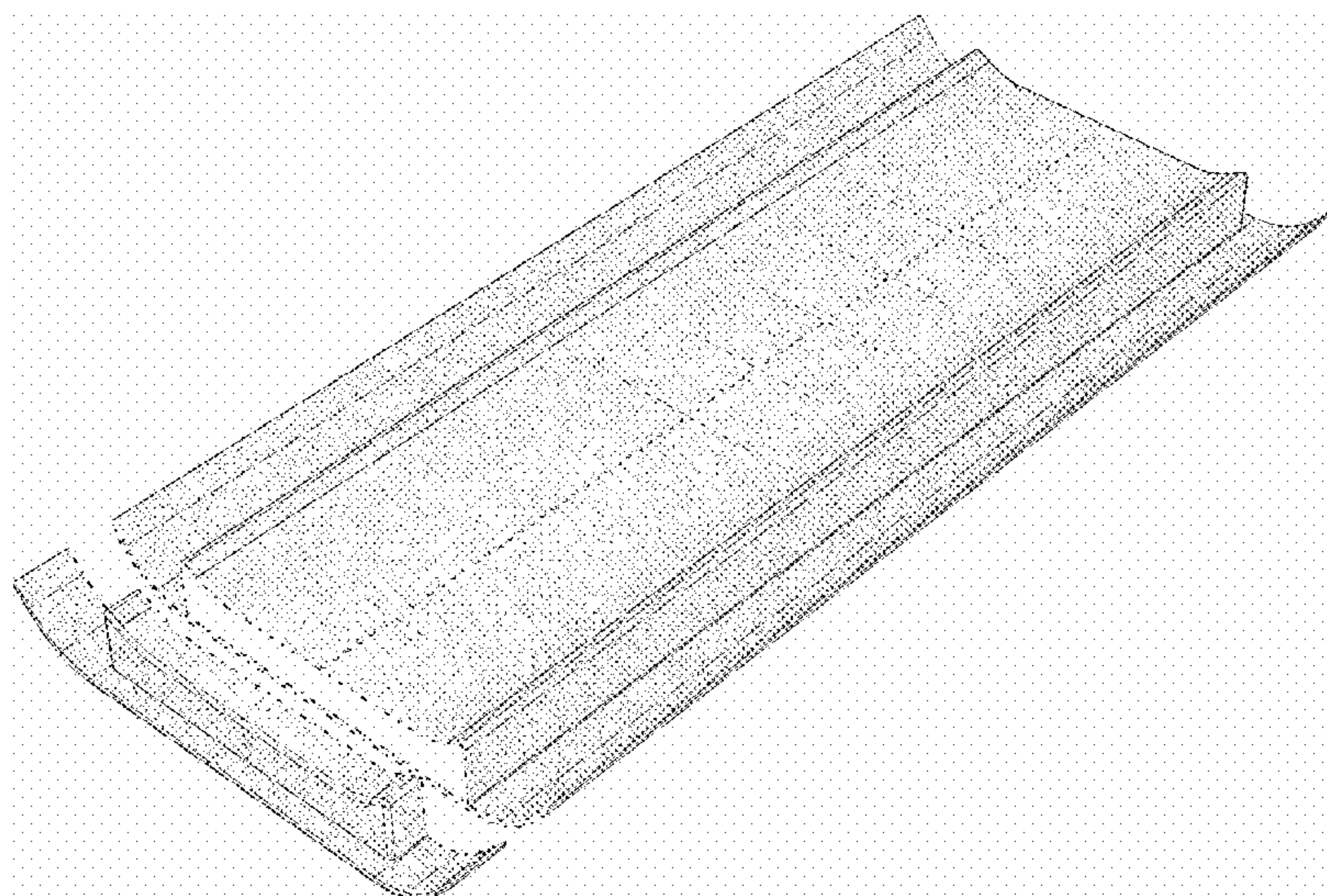
FIG. 10 is an enlarged view of area 10 shown in FIG. 8;

FIG. 11 is a perspective view of the stabilizing transport cushion in an inclined configuration showing an unclaimed indentation along the top surface resulting from a patient positioned on the top surface; and,

FIG. 12 is a perspective view of the stabilizing transport cushion in use, positioned on an unclaimed stretcher device.

The short dash broken lines in the drawings depict portions of the stabilizing transport cushion that form no part of the claimed design. The longer dash broken lines in FIGS. 11-12 depict environmental subject matter and form no part of the claimed design. The dot dash broken lines in the drawings depict a symbolic break within the stabilizing transport cushion and any feature within the break lines form no part of the claimed design. The dot dot dash lines depict boundaries of the enlarged views and form no part of the claimed design.

1 Claim, 12 Drawing Sheets



(58) **Field of Classification Search**

USPC D6/356, 368, 375, 596-604, 655, 716.1,
 D6/716.2, 716.3, 716.4, 716.5, 716.6,
 D6/716.7, 716; D10/88-91, 94
 CPC A61F 5/0111; A61F 5/0127; A61F 13/066;
 A61F 2/6607; A61F 5/37; A47D 15/005;
 A47G 9/10; A47C 20/021; A47C 20/023;
 A47C 16/00; A47C 20/026; A47C
 20/027; A61G 13/121; A61G 7/075;
 A61G 13/1235; A61G 13/1295; A61G
 13/1245; A61G 7/0755

See application file for complete search history.

(56) **References Cited**

U.S. PATENT DOCUMENTS

D337,684 S * 7/1993 Kaufman D6/596
 D407,256 S * 3/1999 Backlund D6/601

D466,749 S * 12/2002 O'Quinn D6/601
 D518,894 S * 4/2006 Kirn D24/184
 D583,953 S * 12/2008 Genelli D24/183
 D585,139 S * 1/2009 Andrews D24/184
 D608,446 S * 1/2010 Shibata D24/165
 D738,580 S * 9/2015 Elliott D30/160
 D769,026 S * 10/2016 Weiss D6/596
 D813,398 S * 3/2018 Barber D24/183
 D859,664 S * 9/2019 Dennewald D24/183
 D907,780 S * 1/2021 Li D24/184
 D916,527 S * 4/2021 Feng D6/601
 11,019,942 B1 * 6/2021 Zucker B32B 5/245
 2014/0082847 A1 * 3/2014 Thomas A47D 5/00
 5/655
 2015/0328393 A1 * 11/2015 Stephens A61G 7/0755
 4/621
 2015/0359355 A1 * 12/2015 Rushing A47D 5/00
 5/655
 2020/0383854 A1 * 12/2020 Gehrke A47C 31/00

* cited by examiner

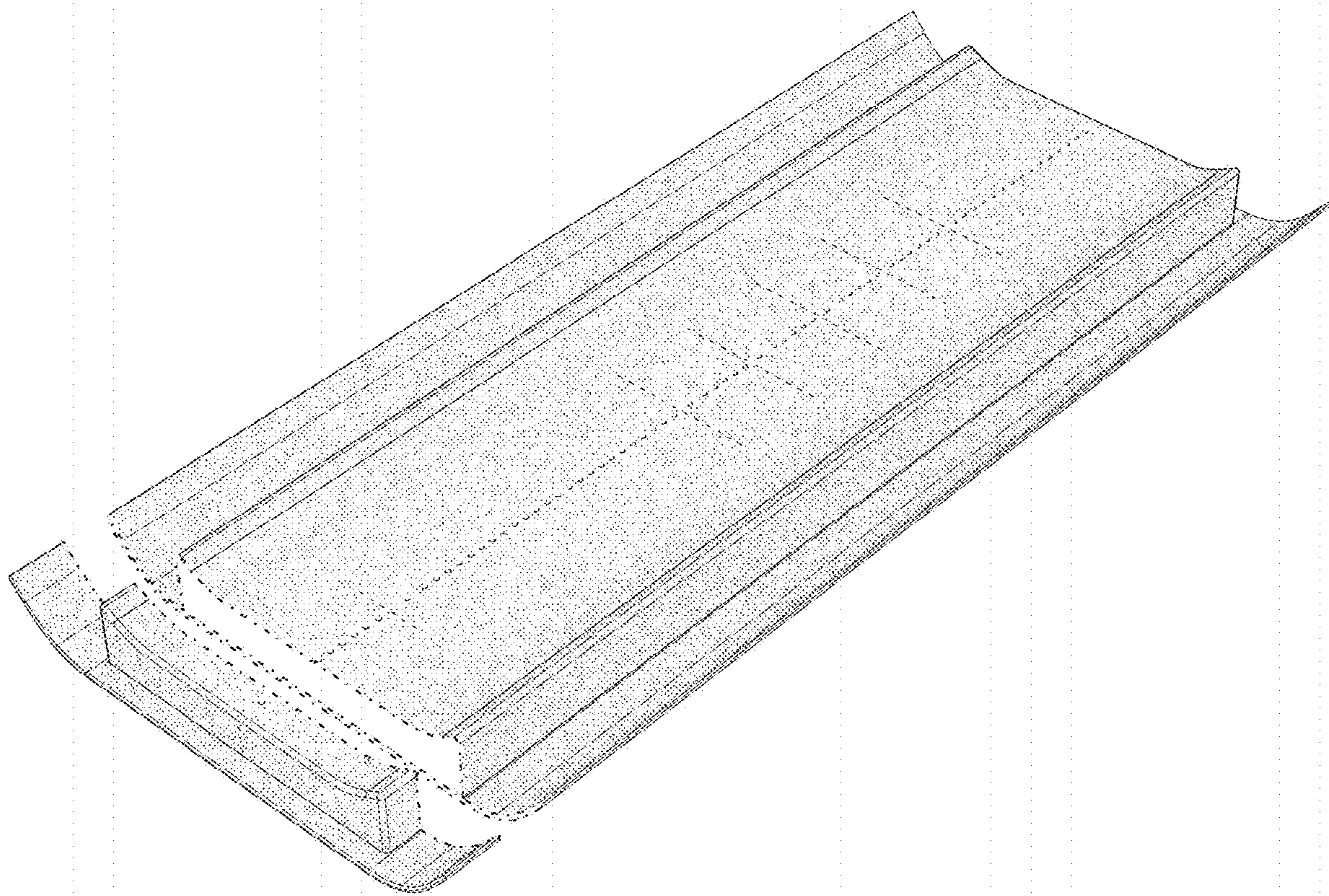


FIG.1

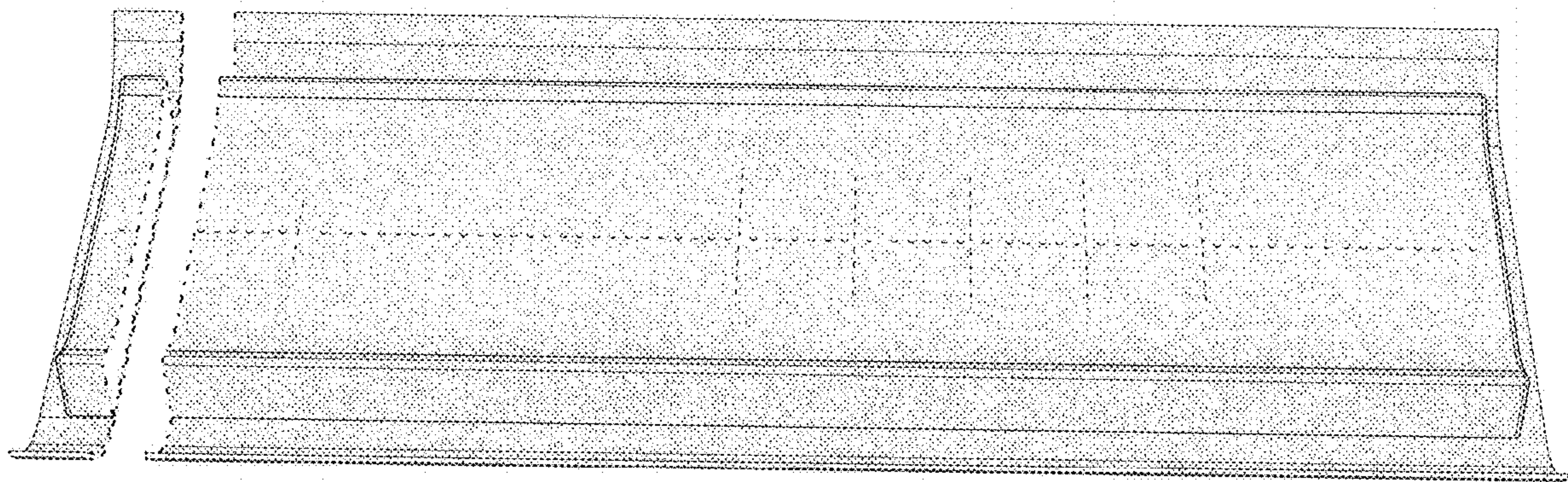
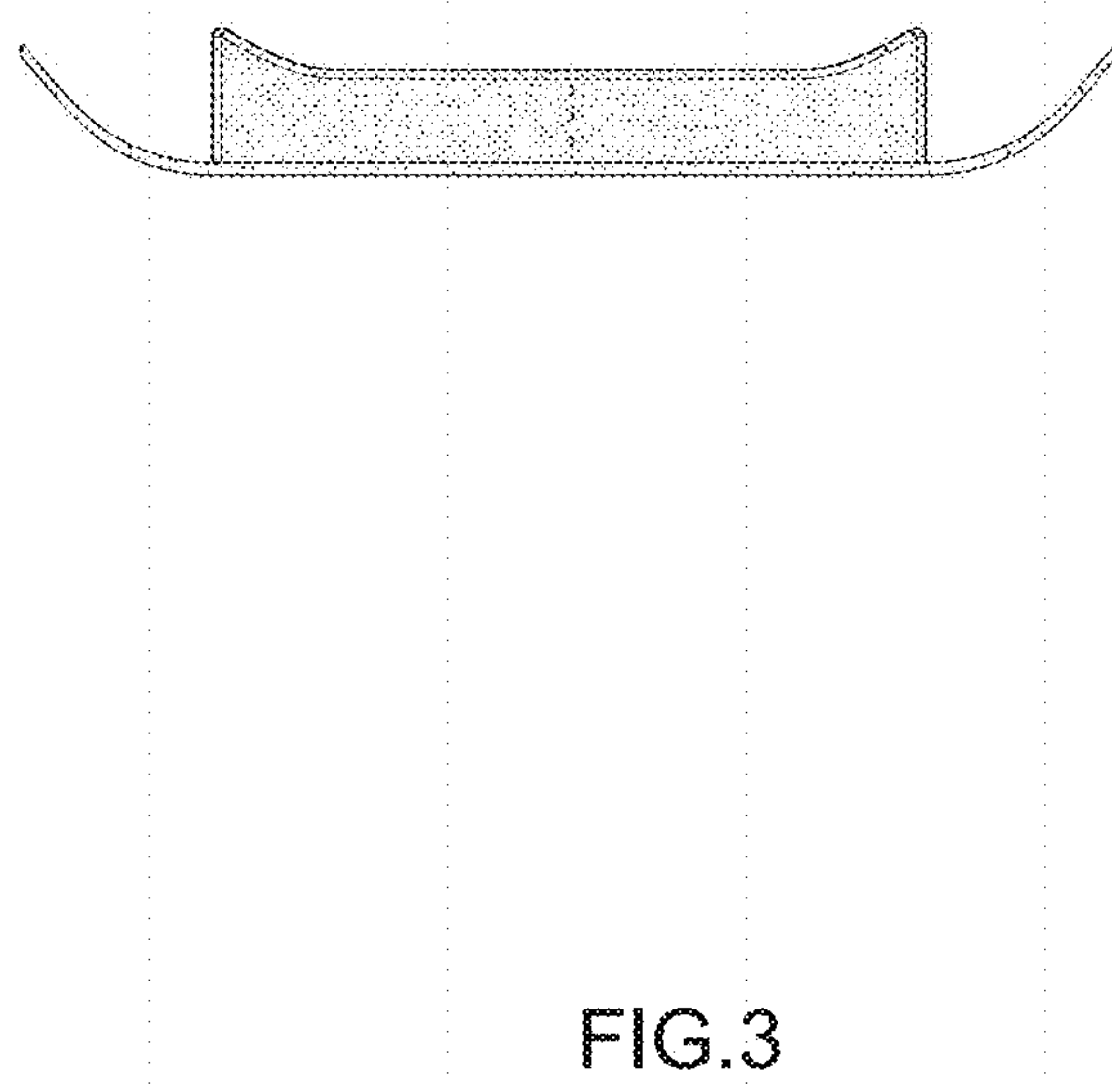
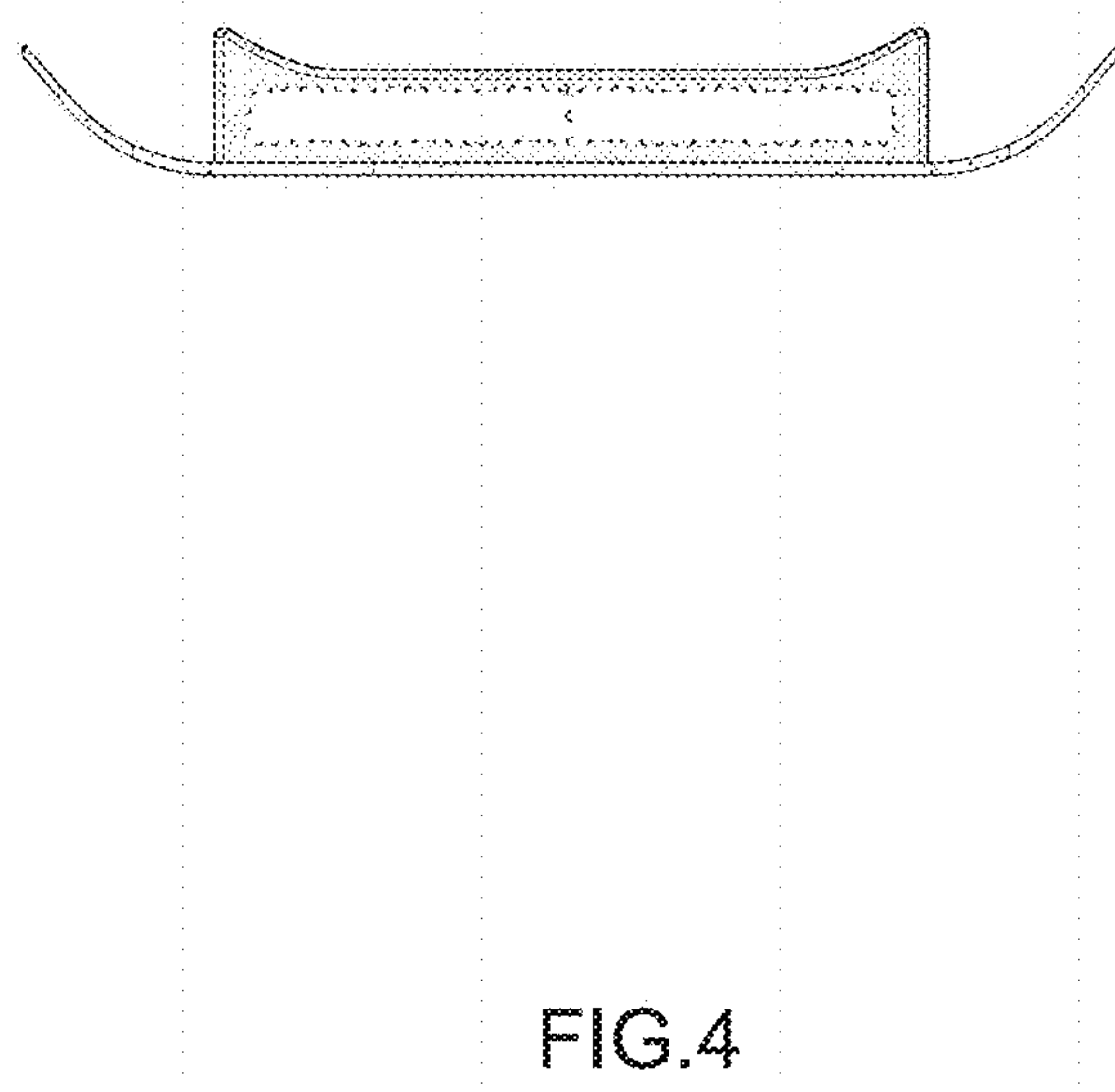


FIG.2





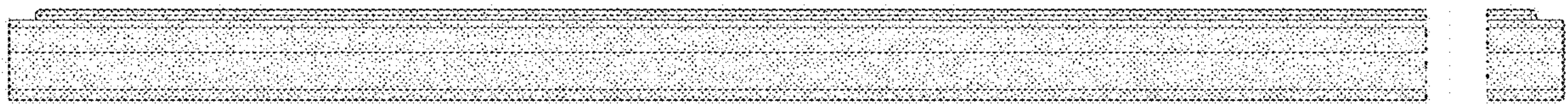


FIG.5

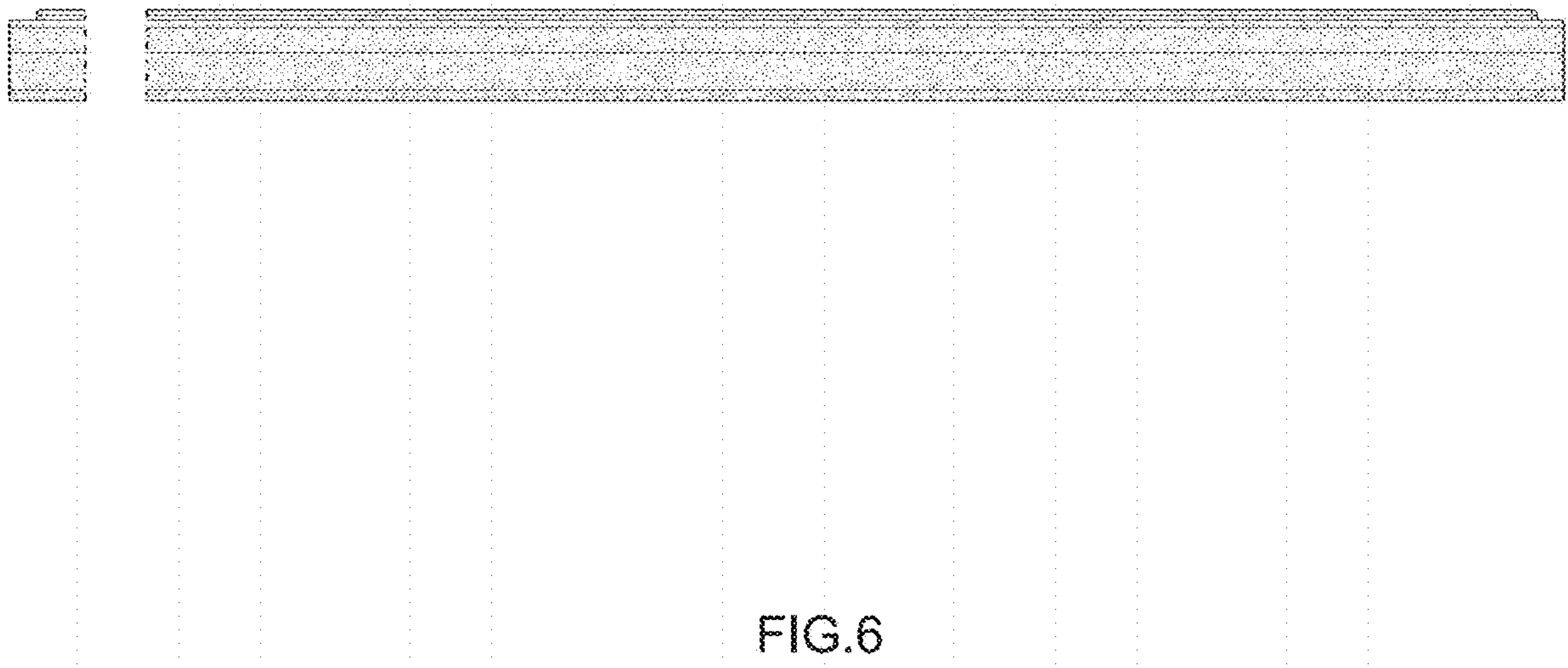


FIG. 6

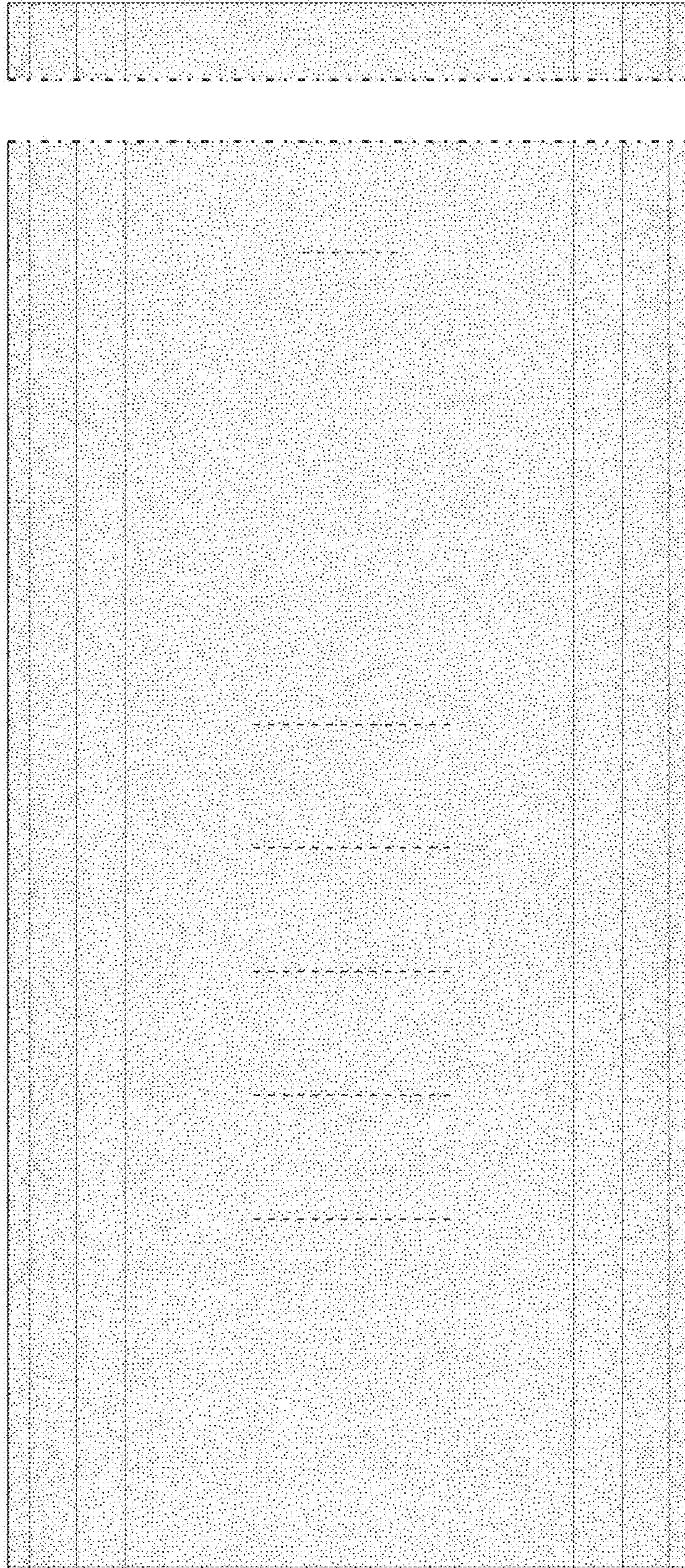


FIG. 7

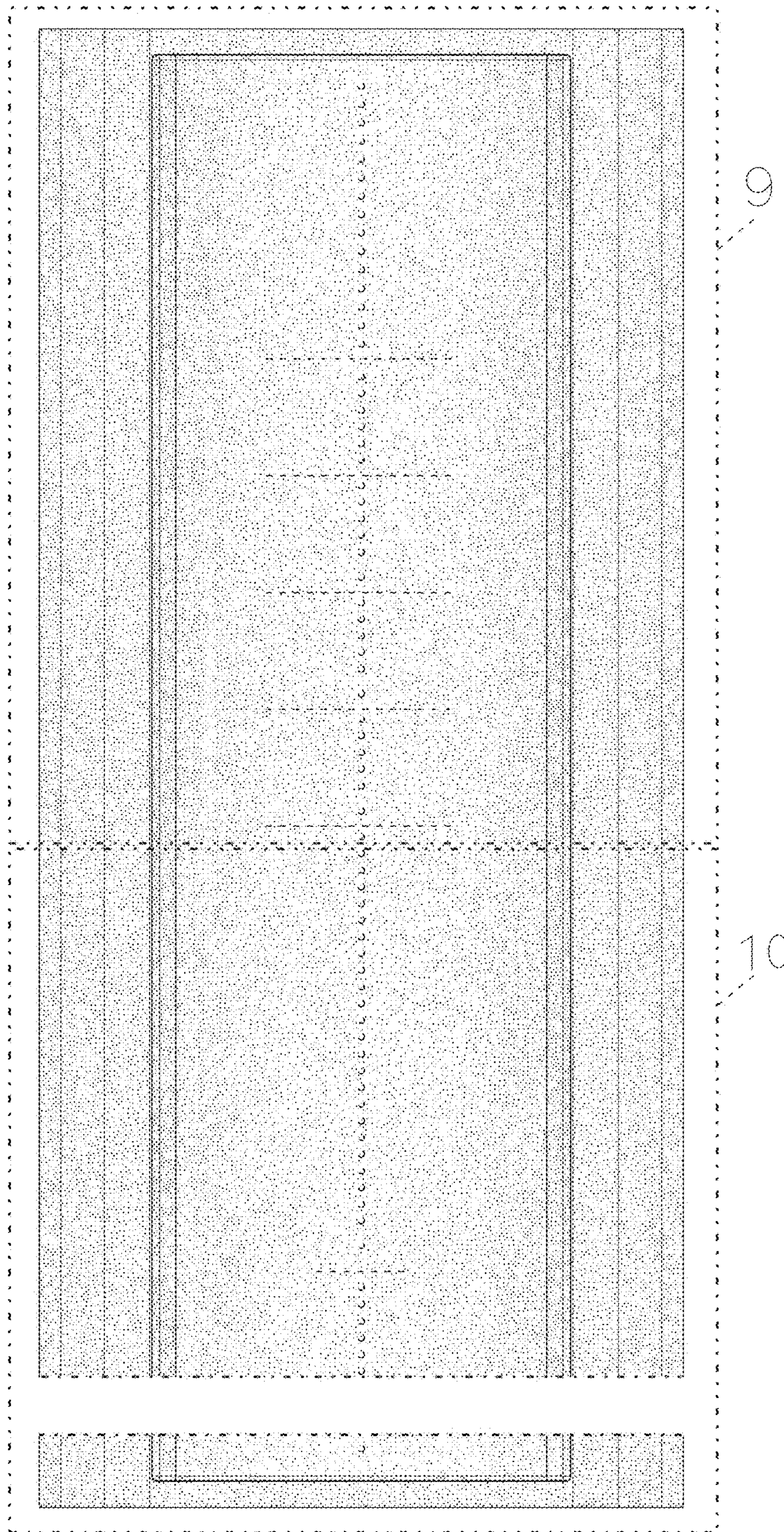


FIG. 8

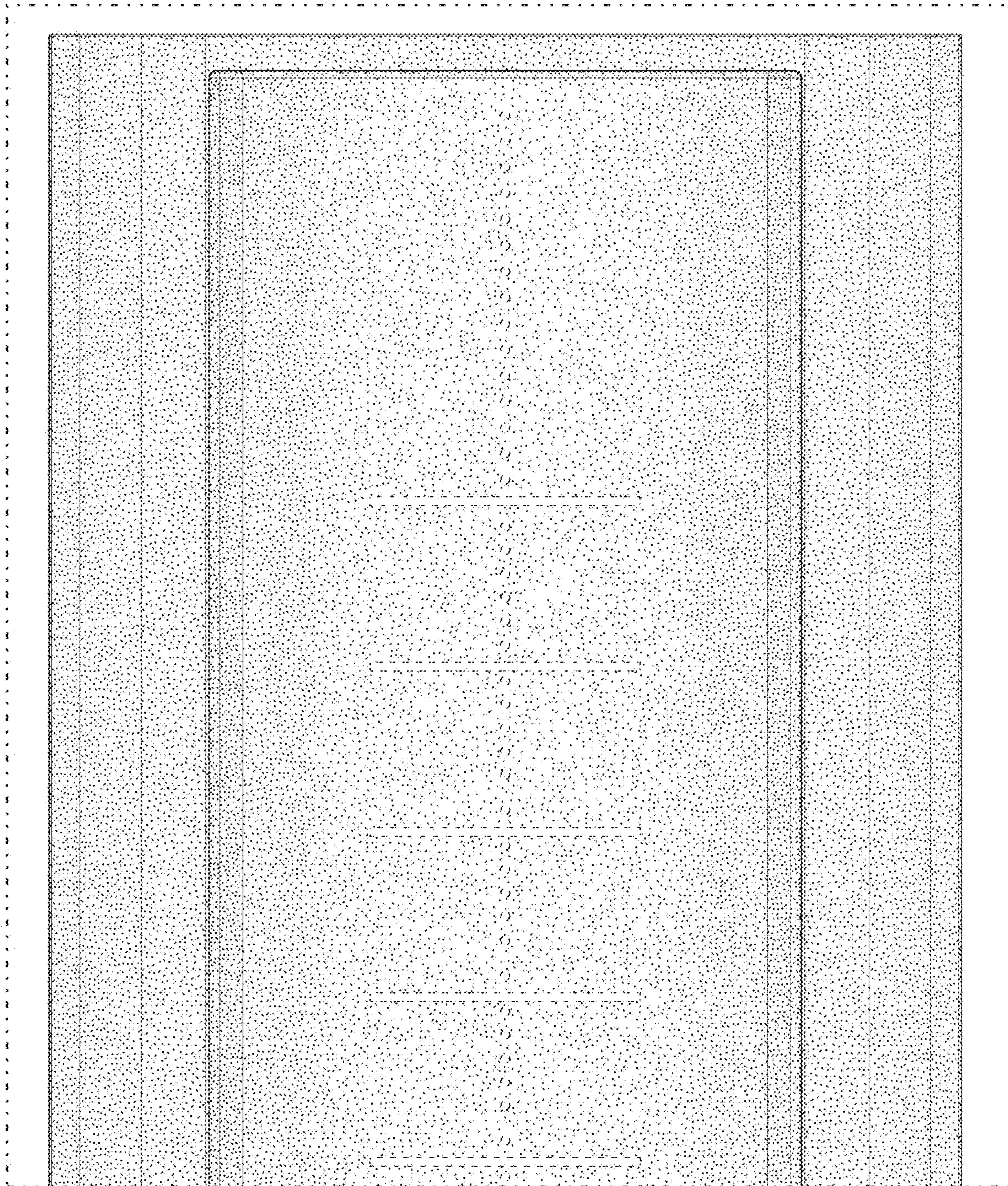


FIG.9

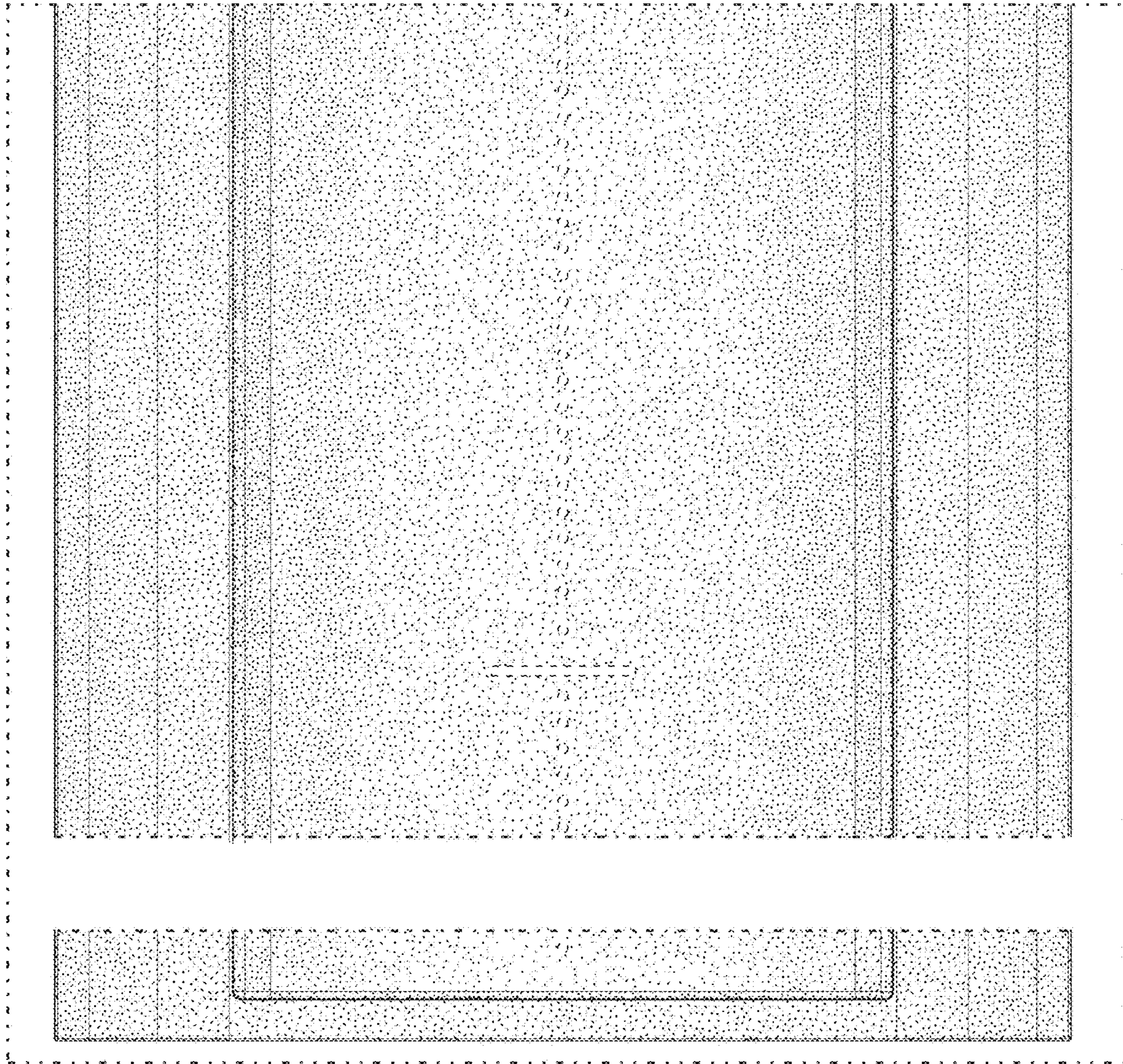


FIG. 10

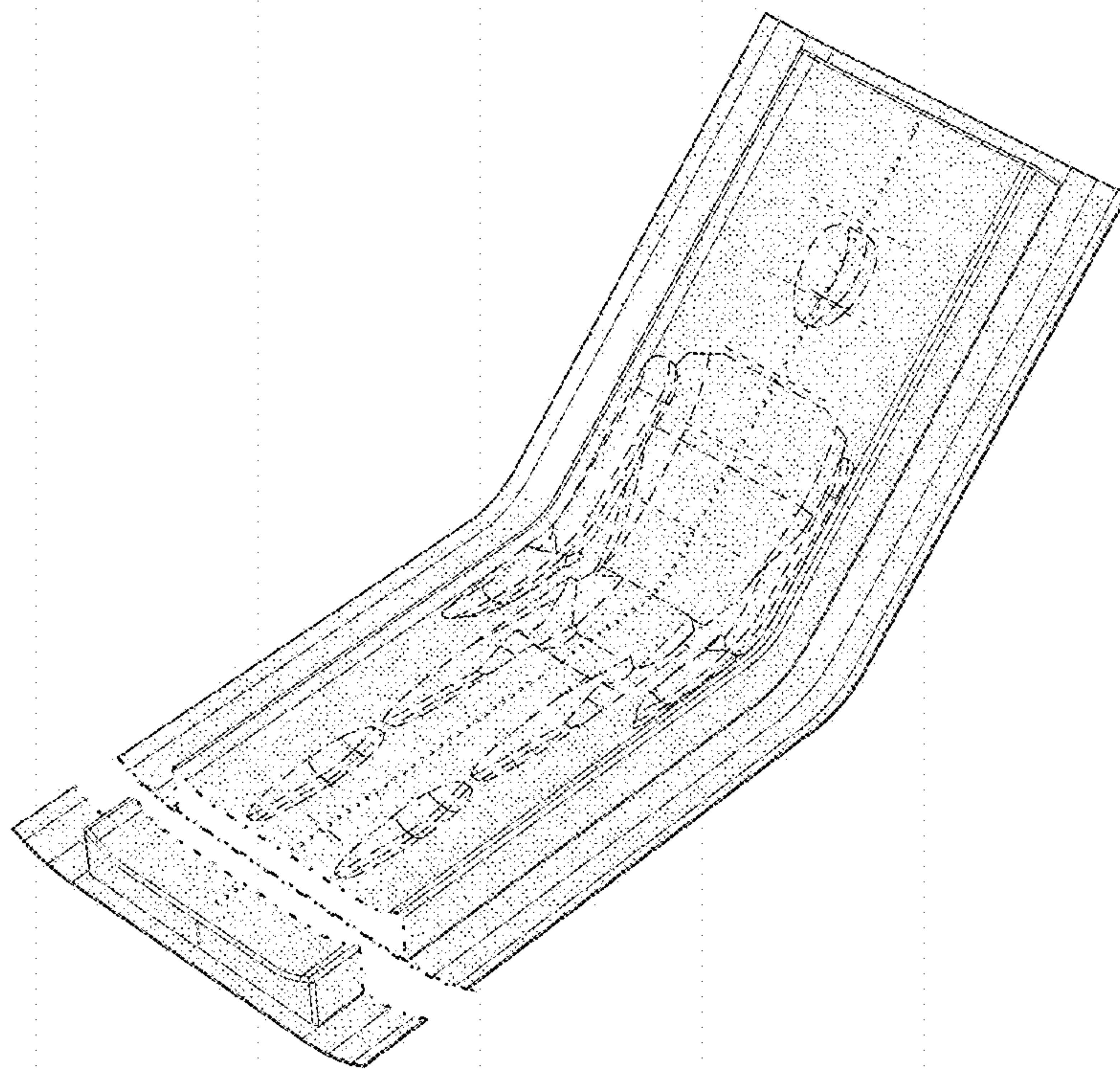


FIG.11

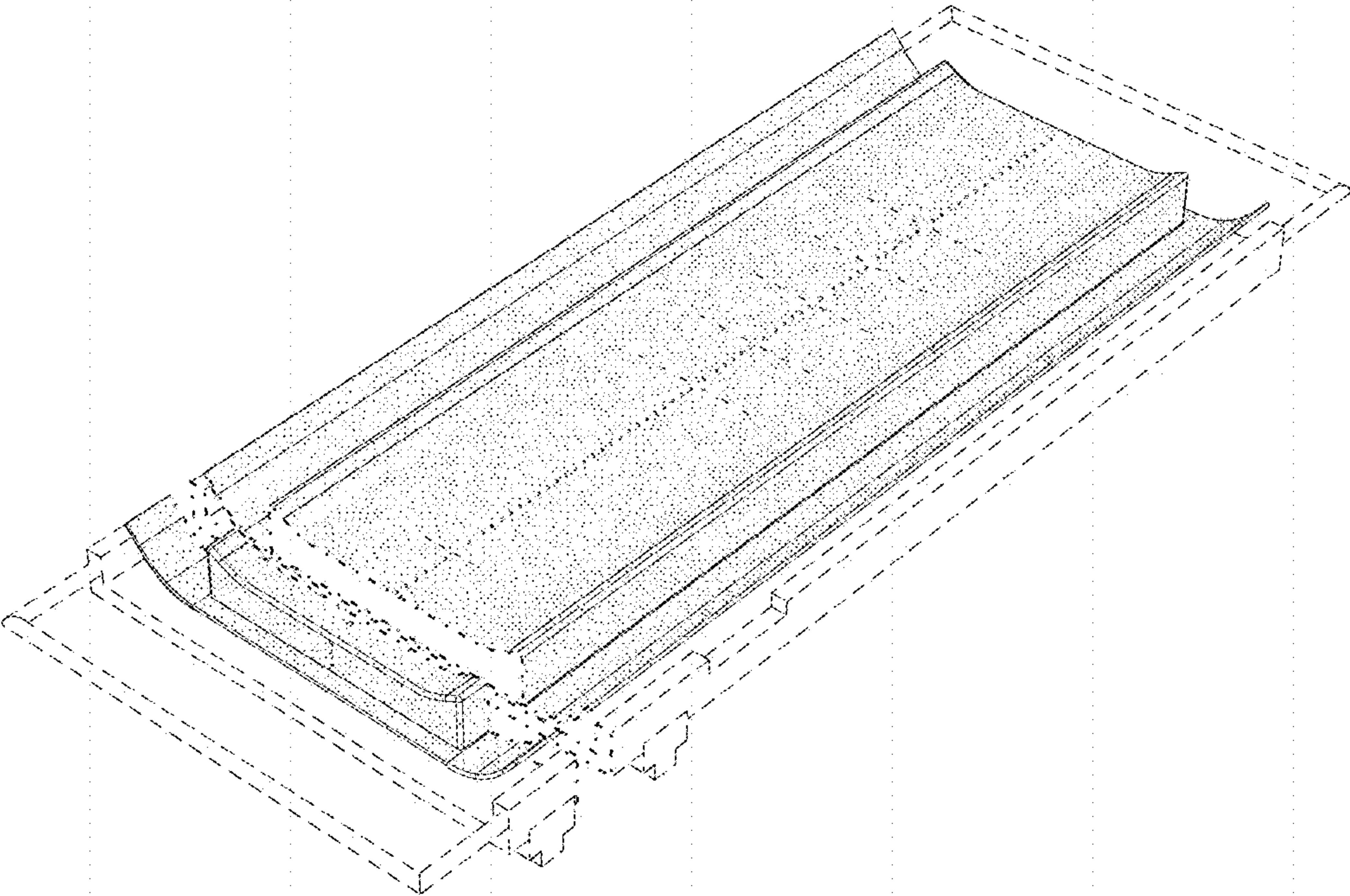


FIG.12