



US00D942629S

(12) **United States Design Patent**
Satow et al.

(10) **Patent No.:** **US D942,629 S**
(45) **Date of Patent:** **** Feb. 1, 2022**

(54) **BLOOD GLUCOSE METER**

8,326,650 B2 * 12/2012 Horiguchi A61B 5/14532
705/3

(71) Applicant: **TERUMO KABUSHIKI KAISHA,**
Tokyo (JP)

D684,491 S * 6/2013 Confield D10/81
D699,853 S * 2/2014 Confield D24/169
D882,800 S * 4/2020 Lee D24/169
D921,904 S * 6/2021 Cadio D24/169
2011/0034794 A1 * 2/2011 Chen A61B 5/14532
600/365

(72) Inventors: **Hiroaki Satow,** Nakakoma-gun (JP);
Takayuki Sugiyama, Nakakoma-gun
(JP); **Takeyuki Moriuchi,**
Nakakoma-gun (JP)

* cited by examiner

(73) Assignee: **TERUMO KABUSHIKI KAISHA,**
Tokyo (JP)

Primary Examiner — Anhdao Doan

(74) *Attorney, Agent, or Firm* — Foley & Lardner LLP

(**) Term: **15 Years**

(57) **CLAIM**

(21) Appl. No.: **29/745,000**

We claim the ornamental design for a blood glucose meter,
as shown and described.

(22) Filed: **Aug. 3, 2020**

DESCRIPTION

(30) **Foreign Application Priority Data**

Feb. 4, 2020 (JP) 2020-002061 D

(51) **LOC (13) Cl.** **24-01**

(52) **U.S. Cl.**
USPC **D24/169**

(58) **Field of Classification Search**
USPC D24/107, 169, 186, 216, 223, 231, 232,
D24/108, 111; D10/81
CPC A61B 5/14532; A61B 5/14865; A61B
2560/0412; A61B 2560/0443; A61B
2560/0462; A61M 25/0606; A61M
25/0631
See application file for complete search history.

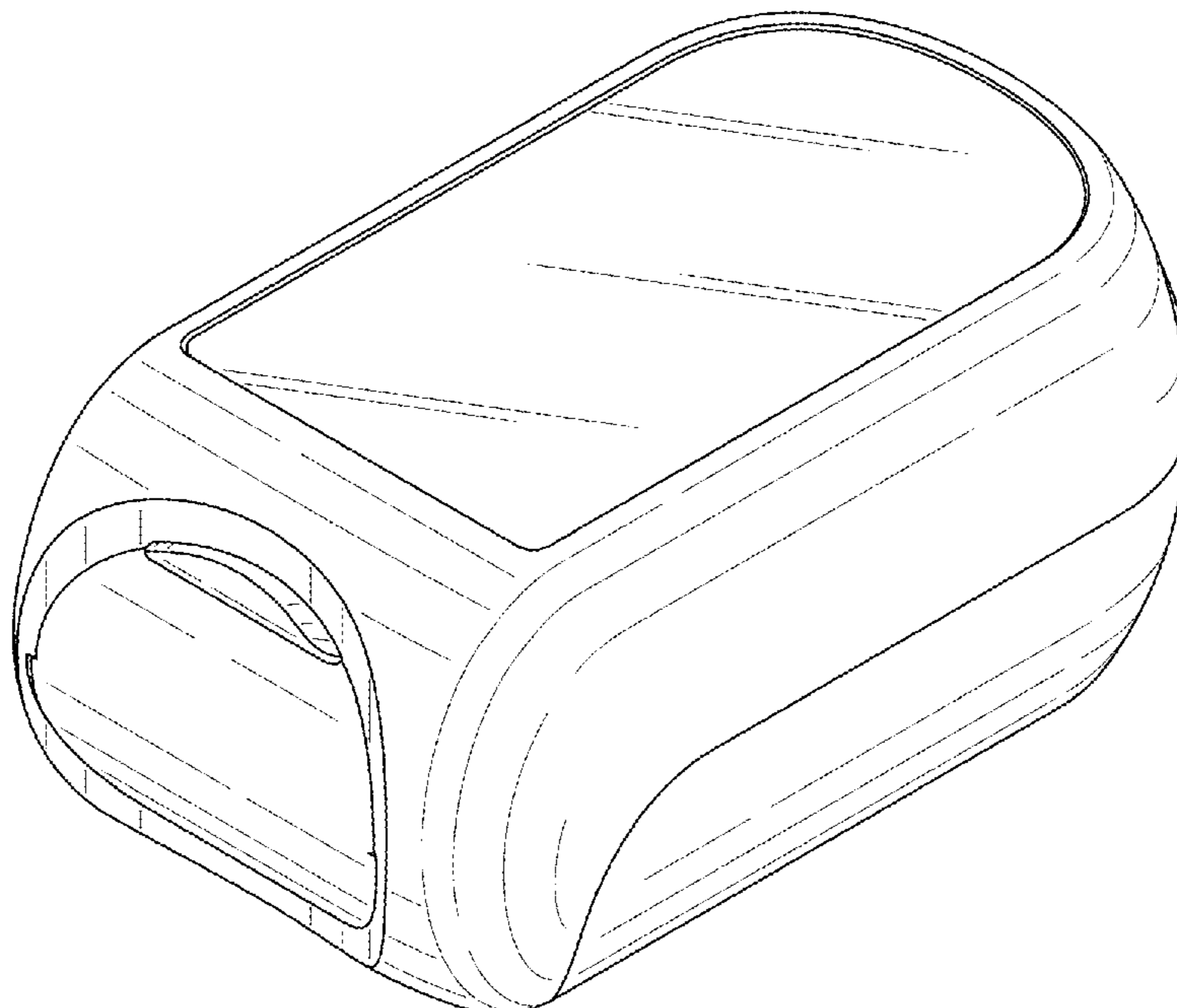
FIG. 1 is a perspective view of the front, left, and bottom
sides of a blood glucose meter according to the claimed
design;
FIG. 2 is a perspective view of the front, right, and top sides
thereof;
FIG. 3 is a front view thereof;
FIG. 4 is a rear view thereof;
FIG. 5 is a left side view thereof;
FIG. 6 is a right side view thereof;
FIG. 7 is a top plan view thereof;
FIG. 8 is a bottom plan view thereof;
FIG. 9 is a perspective view in a state where a lid is opened;
and,
FIG. 10 is a reference perspective view in a usage state.
The broken lines in the drawings depict unclaimed environ-
mental subject matter, are for illustrative purposes only, and
form no part of the claimed design.

(56) **References Cited**

U.S. PATENT DOCUMENTS

D663,421 S * 7/2012 Steiner D24/169
D663,845 S * 7/2012 Delaey D24/169

1 Claim, 6 Drawing Sheets



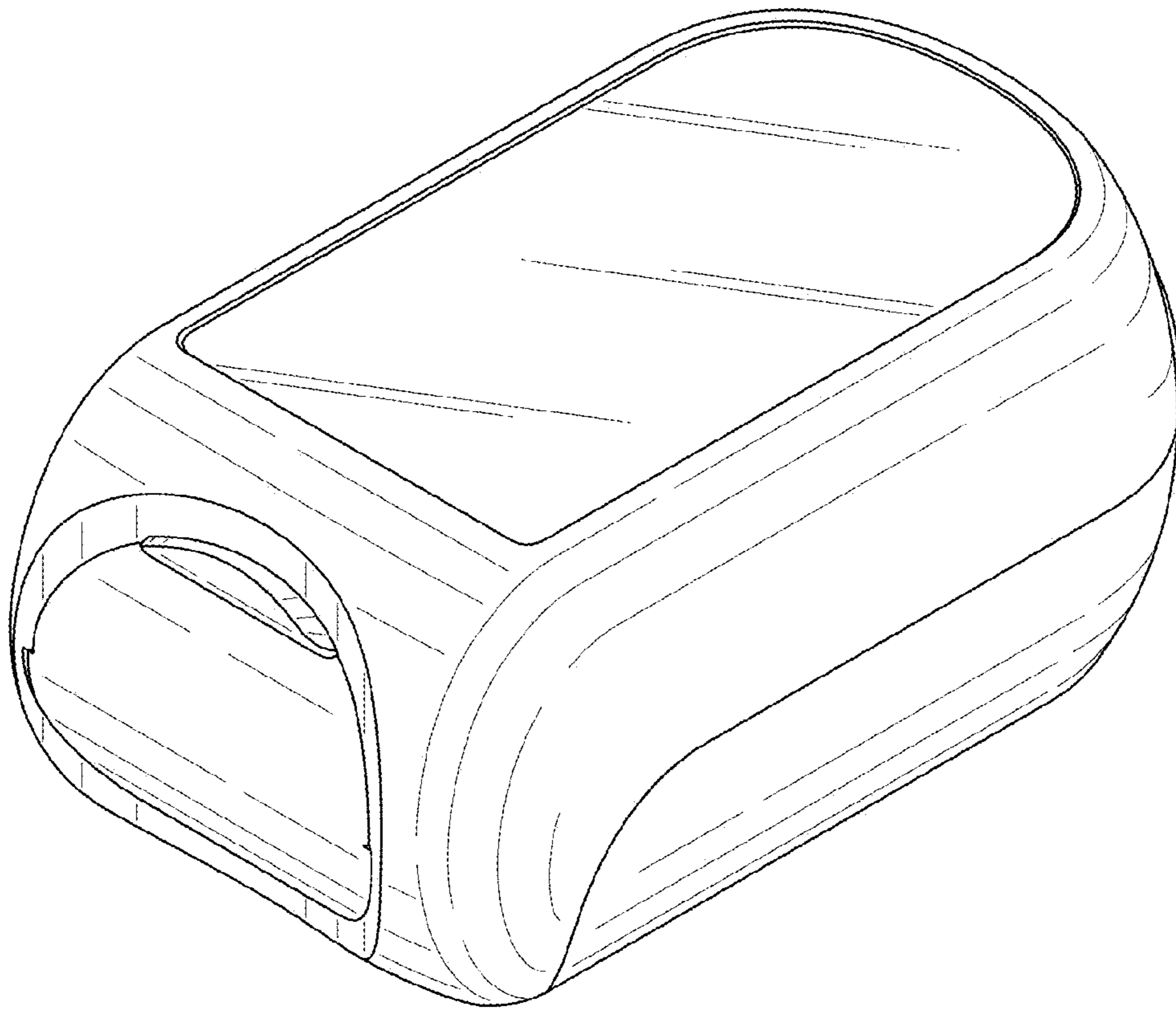


FIG. 1

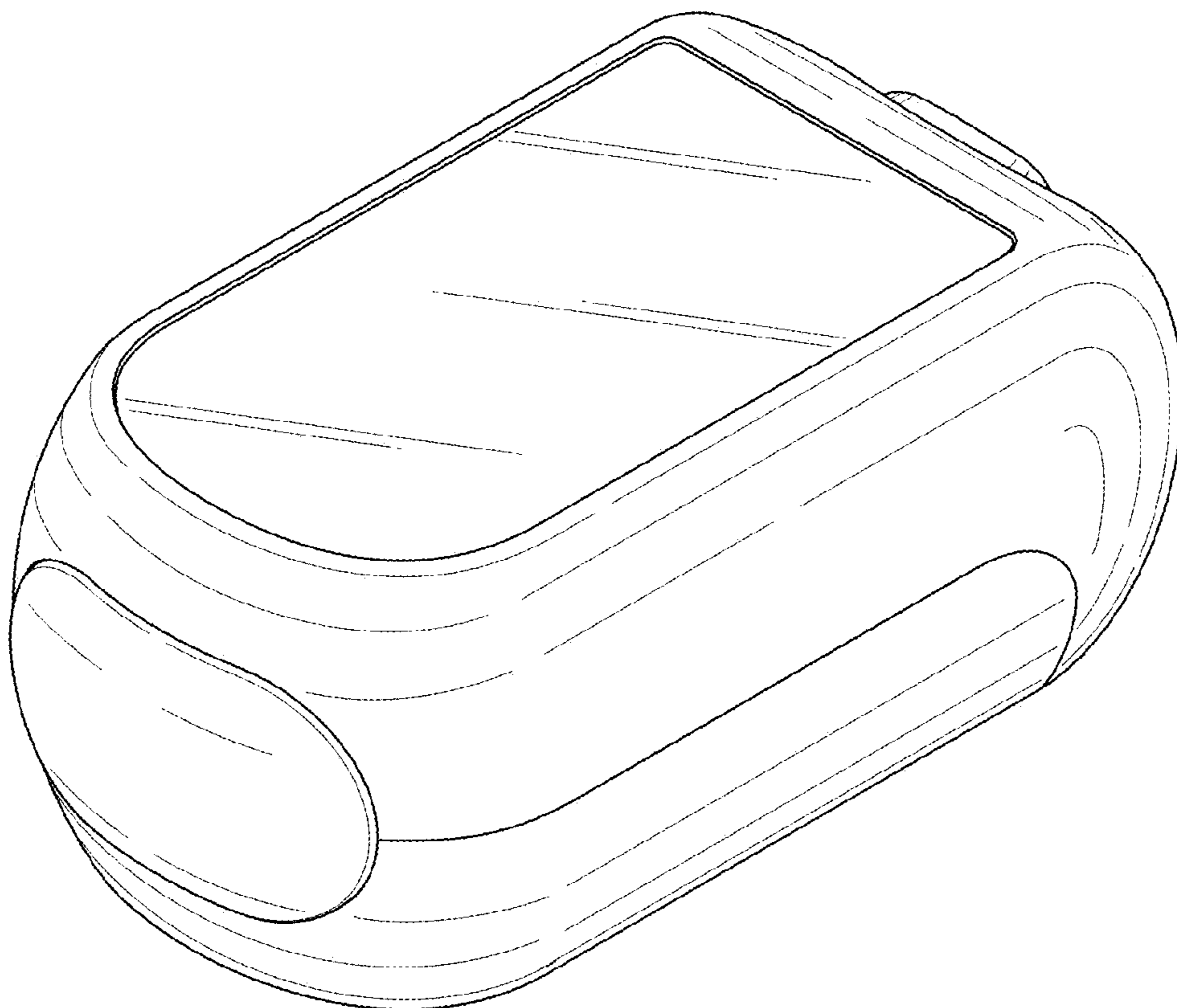


FIG. 2

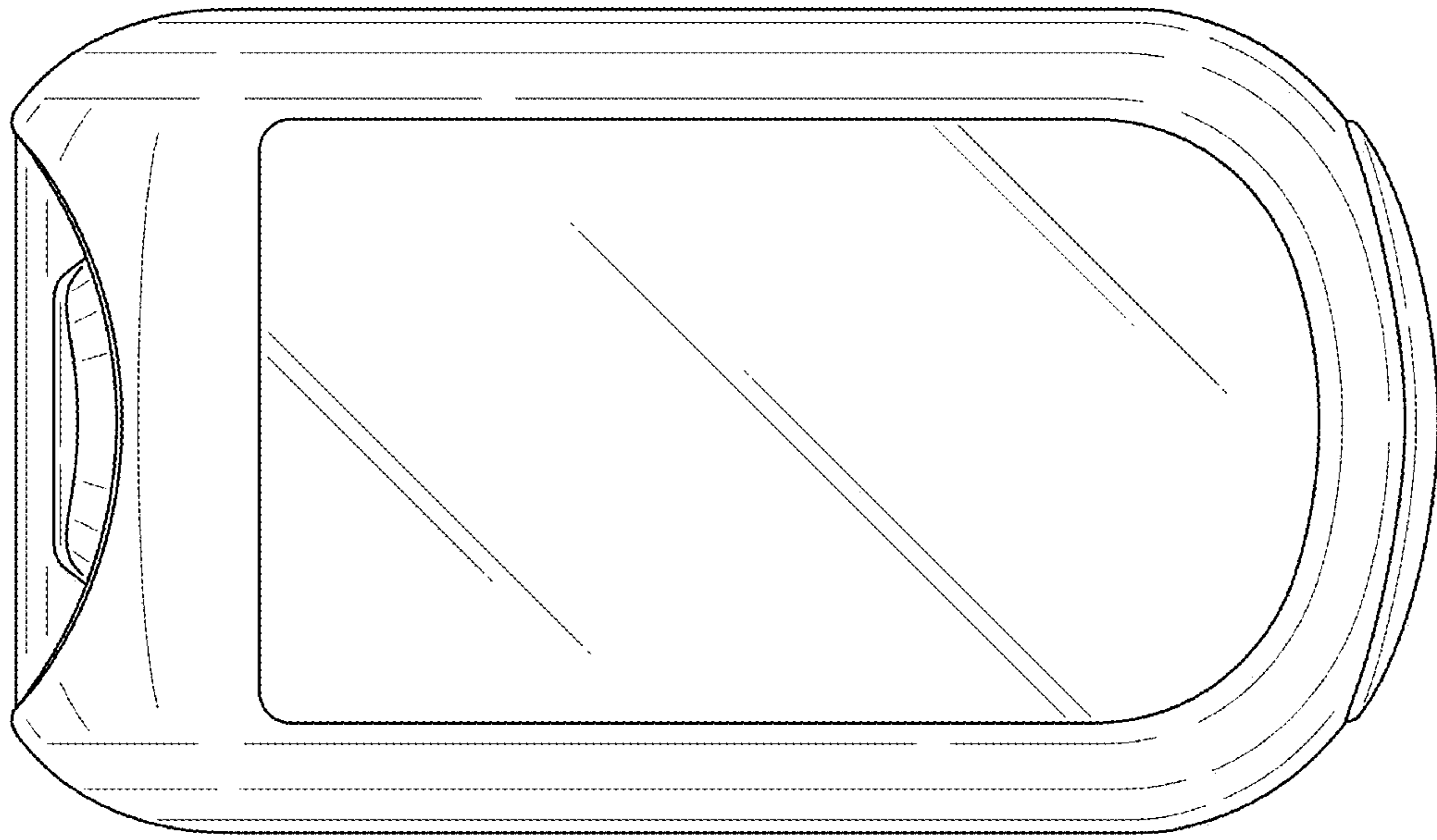


FIG. 3

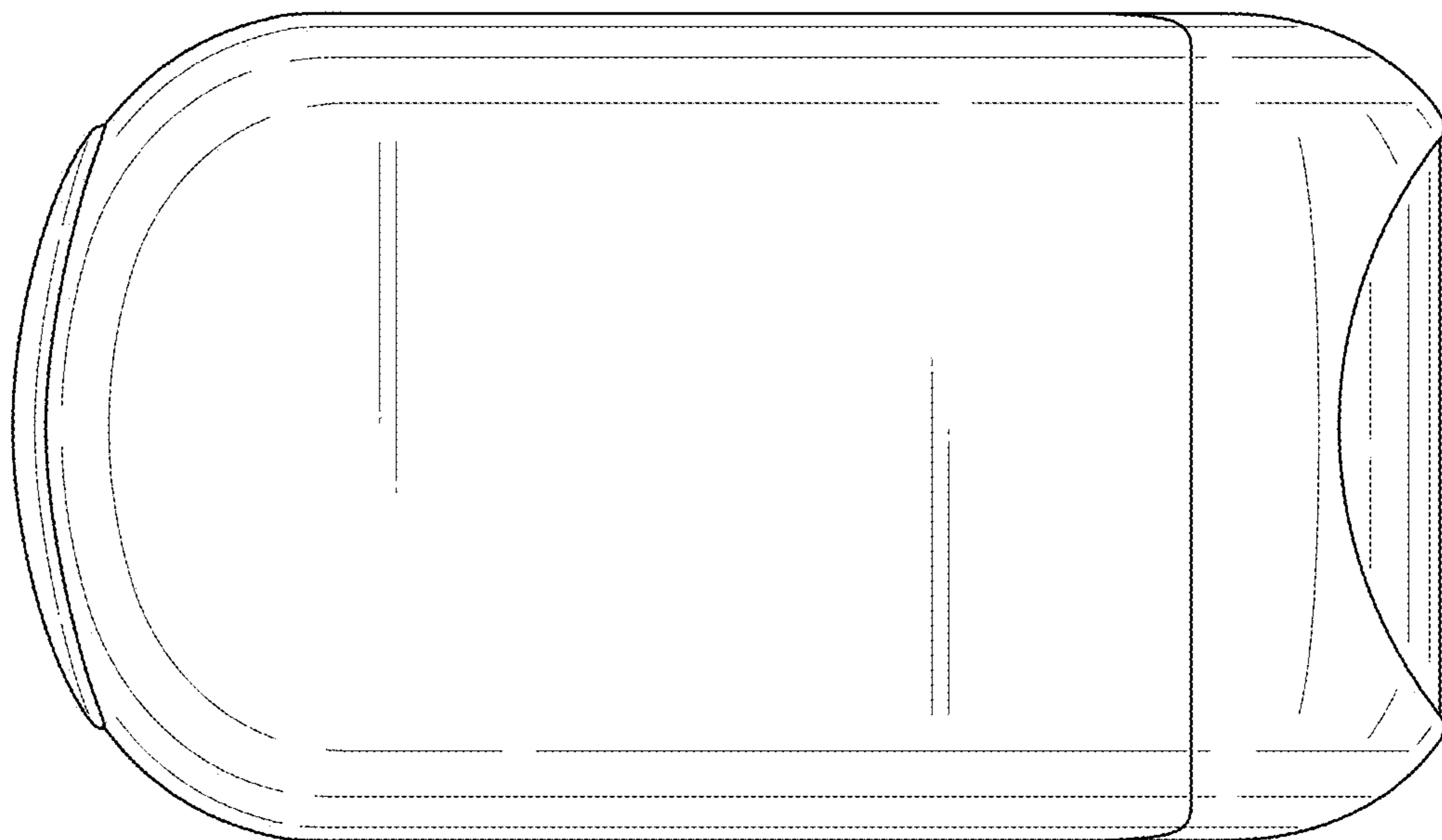


FIG. 4

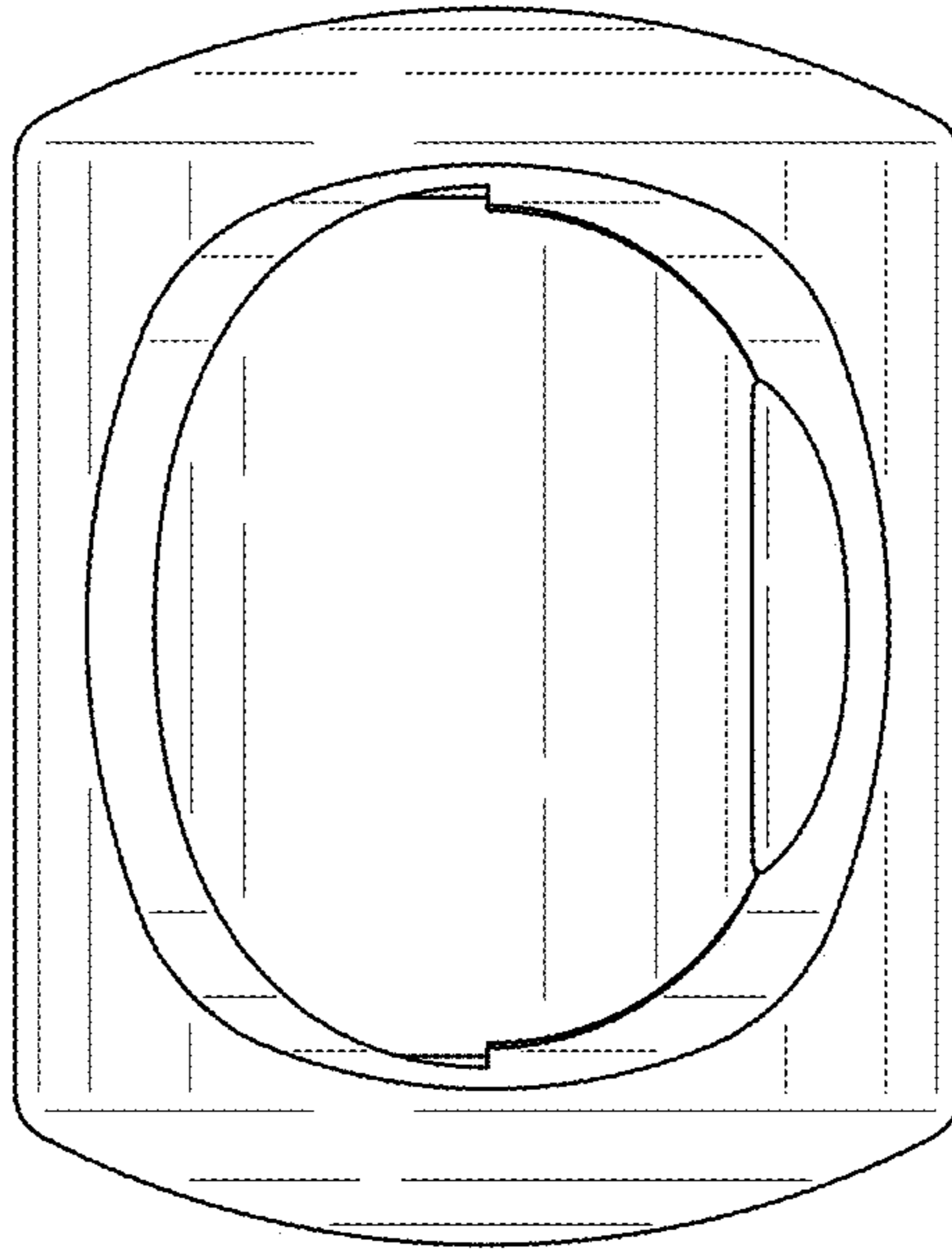


FIG. 5

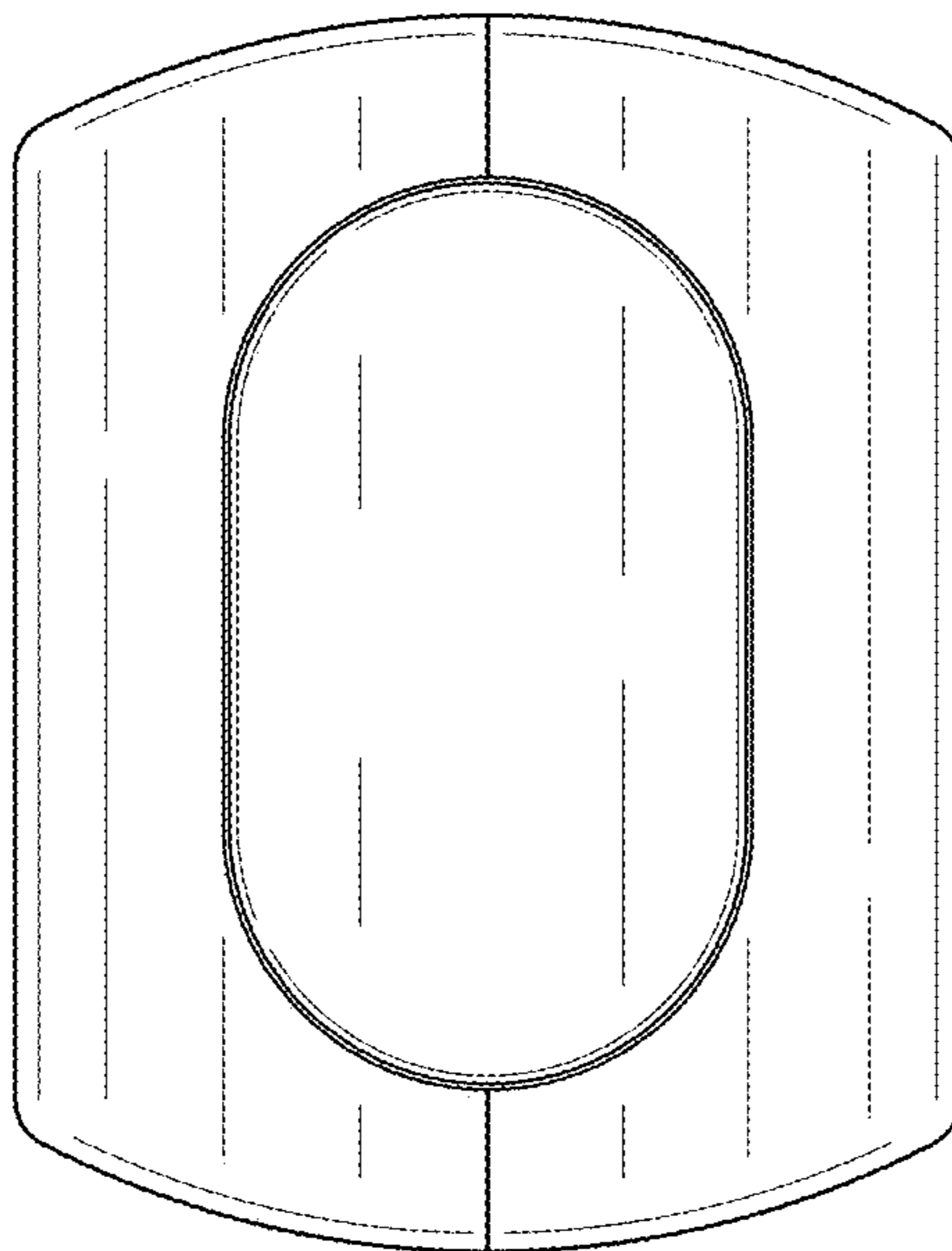


FIG. 6

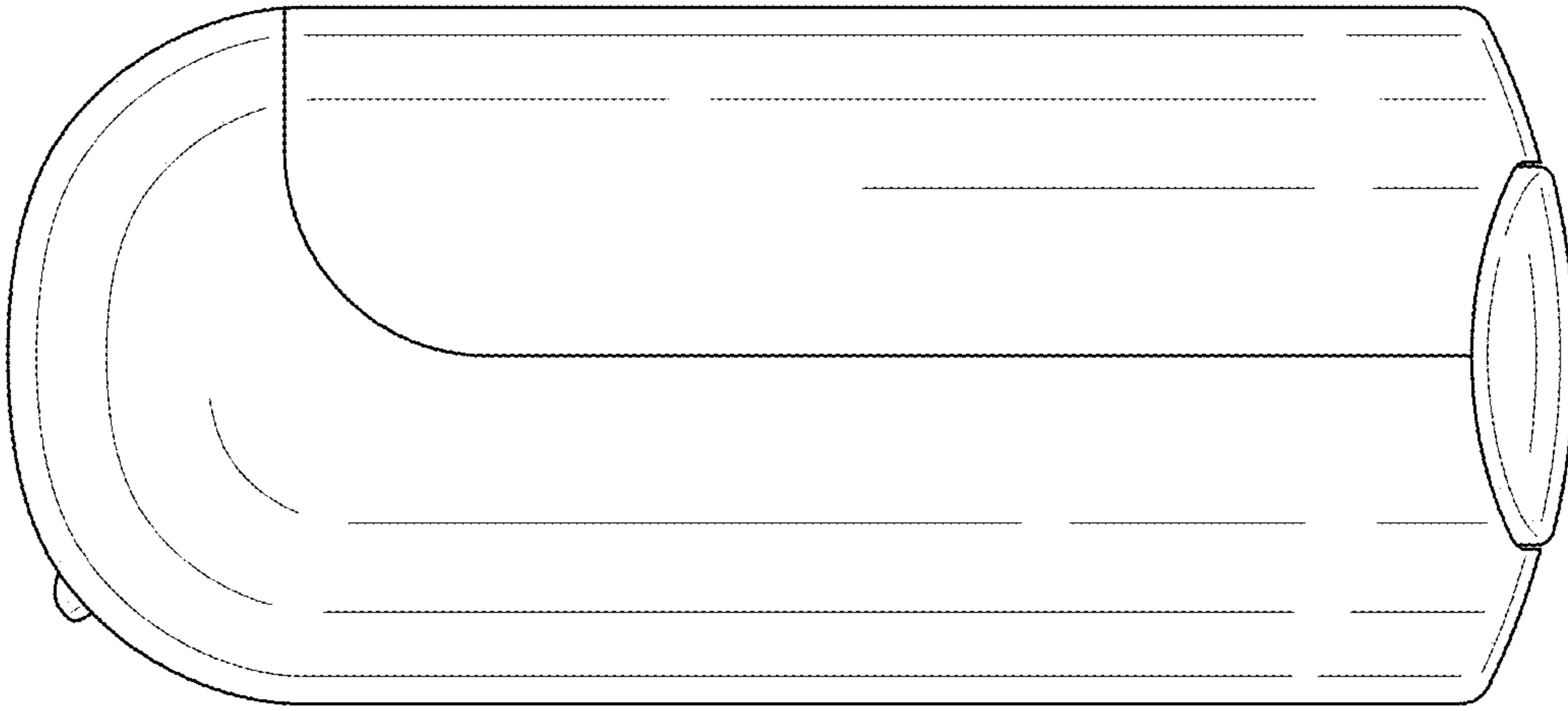


FIG. 7

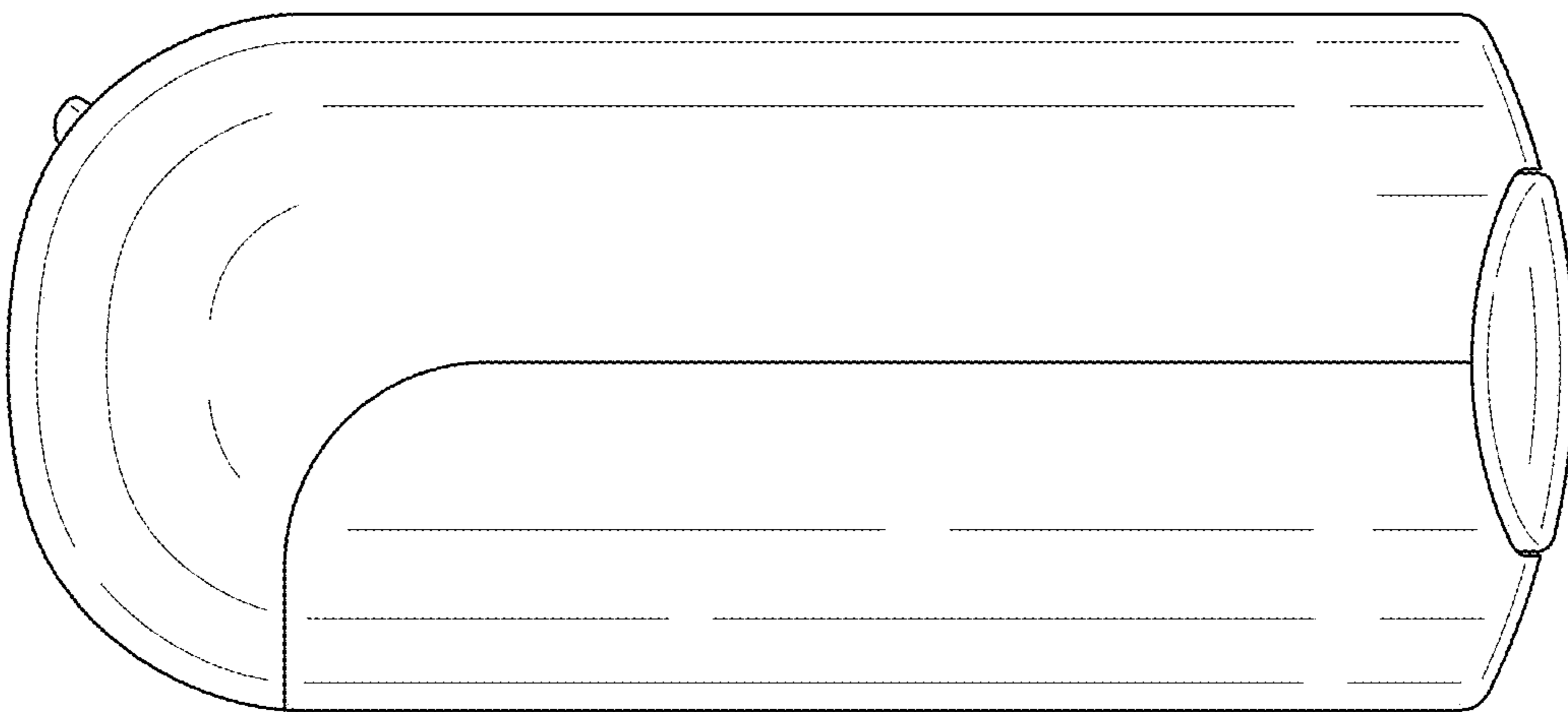


FIG. 8

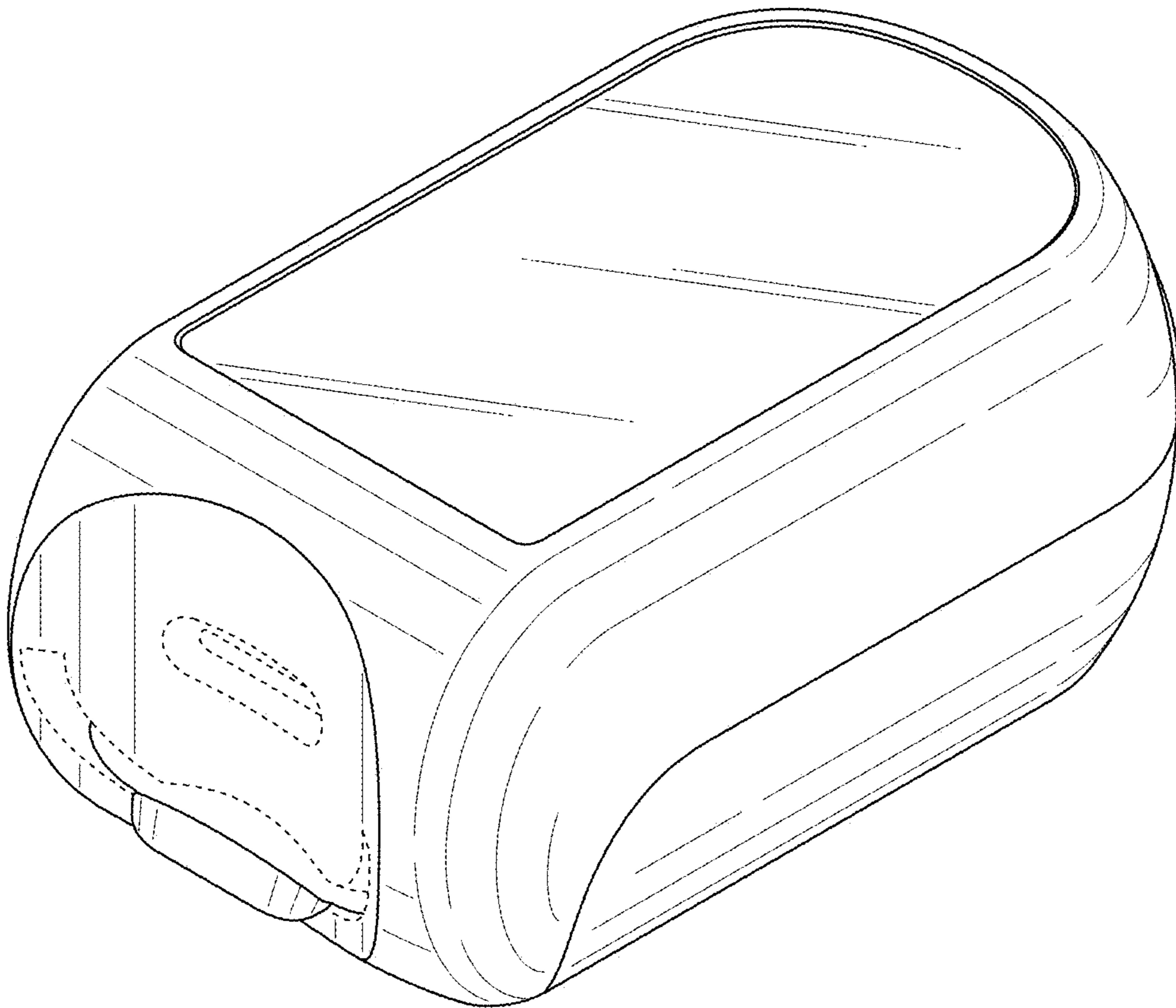


FIG. 9

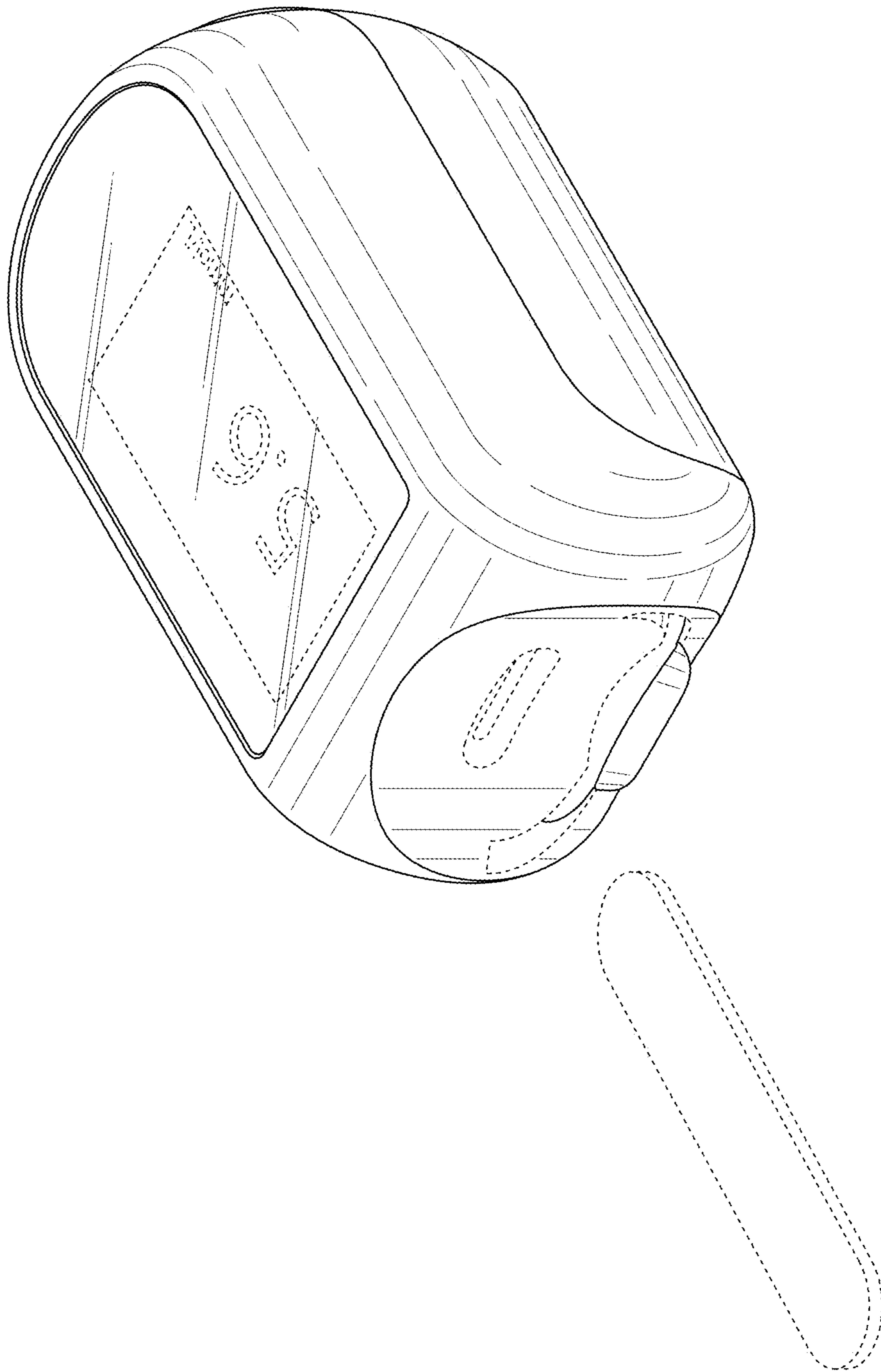


FIG. 10