



US00D942628S

(12) **United States Design Patent**
Dai

(10) **Patent No.:** **US D942,628 S**
(45) **Date of Patent:** **** Feb. 1, 2022**

(54) **SPHYGMOMANOMETER**

FOREIGN PATENT DOCUMENTS

(71) Applicant: **SHENZHEN MEIHE ELECTRONICS CO., LTD.**, Shenzhen (CN)

CN 201930662209.8 * 4/2020

(72) Inventor: **Qiuqiu Dai**, Jiujiang (CN)

OTHER PUBLICATIONS

(73) Assignee: **SHENZHEN MEIHE ELECTRONICS CO., LTD.**, Shenzhen (CN)

Amazon.com: Blood Pressure Monitor for Home Use with Large LCD Display, Annsky Digital Upper Arm. Retrived on Dec. 8, 2021 from internet at: https://www.amazon.com/Pressure-Monitor-Annsky-Automatic-Memories/dp/B07RDBSXXM/ref=as_li_ss_tl?keywords=Digital+Blood+Pressure+Monitor&qid=1579317404&sr=8-12&linkCode=sl1&tag=*

(**) Term: **15 Years**

* cited by examiner

(21) Appl. No.: **29/776,560**

Primary Examiner — Anhdao Doan

(22) Filed: **Mar. 31, 2021**

(51) **LOC (13) Cl.** **24-02**

(52) **U.S. Cl.**
USPC **D24/165**

(57) **CLAIM**

The ornamental design for a sphygmomanometer, as shown and described.

(58) **Field of Classification Search**
USPC D24/107, 164–169, 185–187; D10/98; D14/344

CPC A61B 5/0404; A61B 5/021; A61B 5/024; A61B 5/02438; A61B 5/681; A61B 5/0402; A61B 2560/0462

See application file for complete search history.

DESCRIPTION

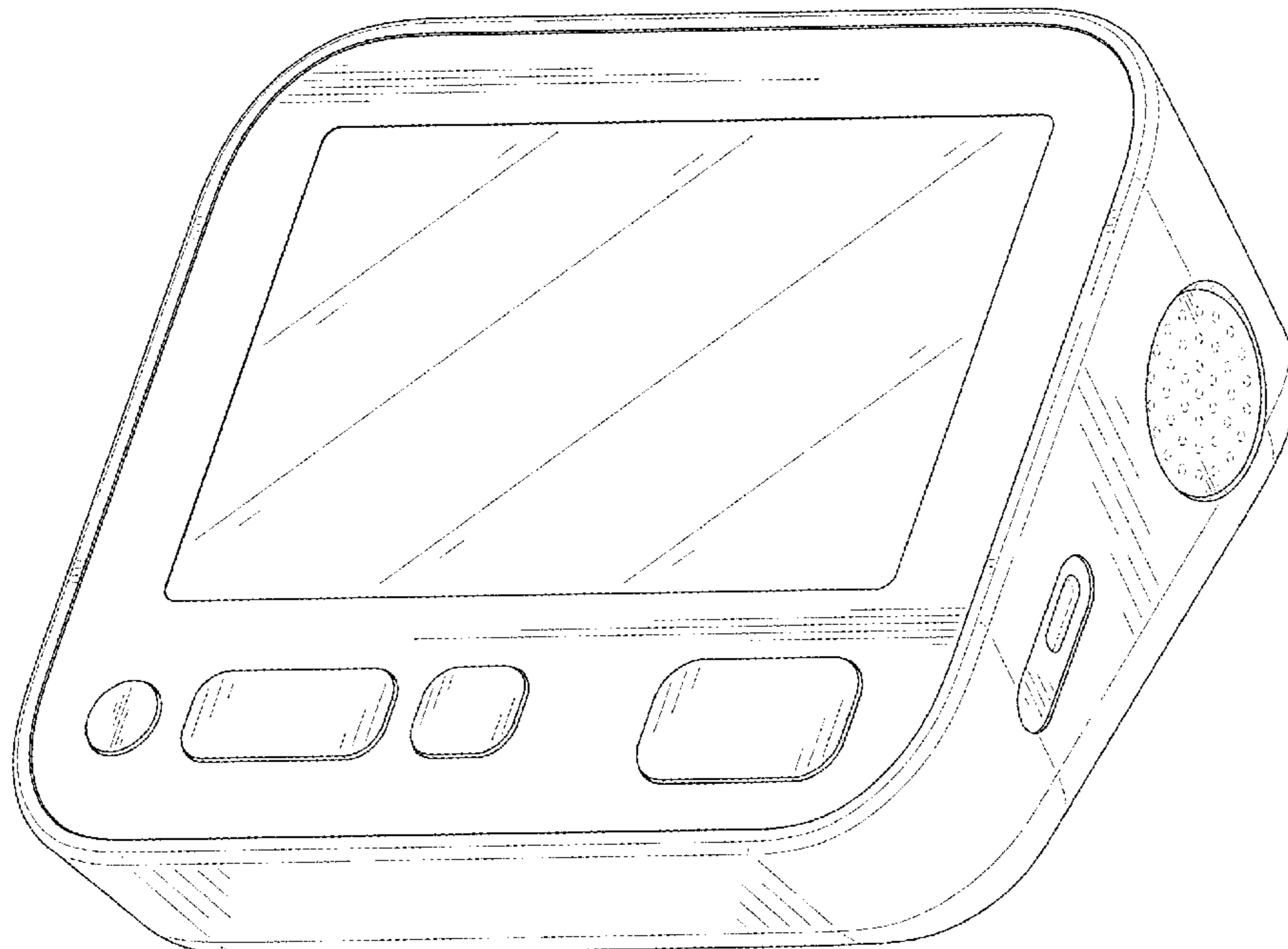
FIG. 1 is a perspective view of a sphygmomanometer showing my new design; FIG. 2 is another perspective view thereof; FIG. 3 is a front elevational view thereof; FIG. 4 is a rear elevational view thereof; FIG. 5 is a left side elevational view thereof; FIG. 6 is a right side elevational view thereof; FIG. 7 is a top plan view thereof; and, FIG. 8 is a bottom plan view thereof. The broken lines in the drawings depict portions of the sphygmomanometer that form no part of the claimed design.

(56) **References Cited**

U.S. PATENT DOCUMENTS

D583,474 S *	12/2008	Mitsunami	D24/165
D862,702 S *	10/2019	Nishiyama	D24/165
D871,582 S	12/2019	Hirasawa et al.		
D889,660 S	7/2020	Xia		
D922,580 S *	6/2021	Cao	D24/165
D922,581 S *	6/2021	Wang	D24/165
2020/0093385 A1 *	3/2020	Felker	A61B 5/022
2020/0107728 A1 *	4/2020	Ho	A61B 5/0205

1 Claim, 8 Drawing Sheets



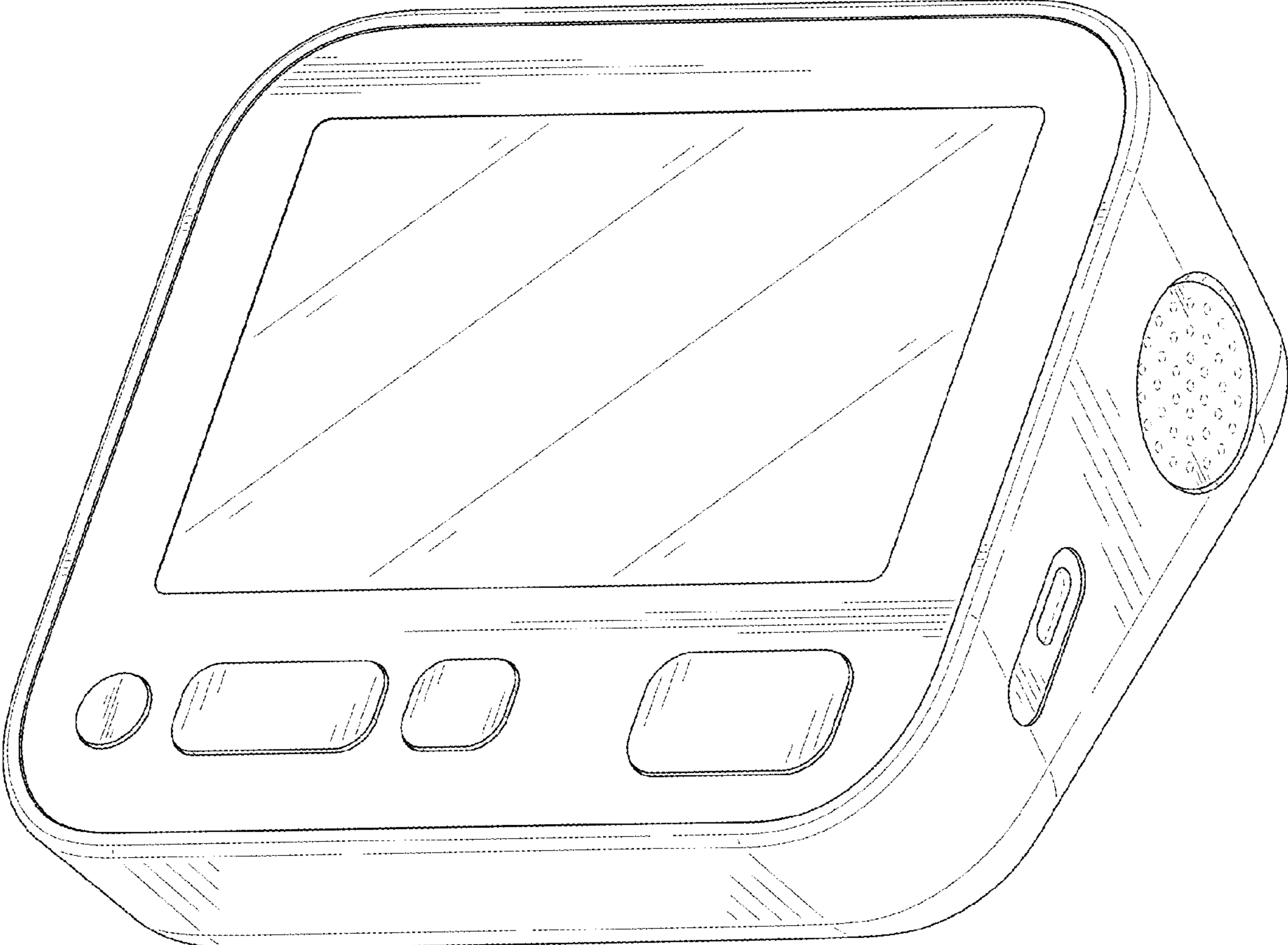


FIG. 1

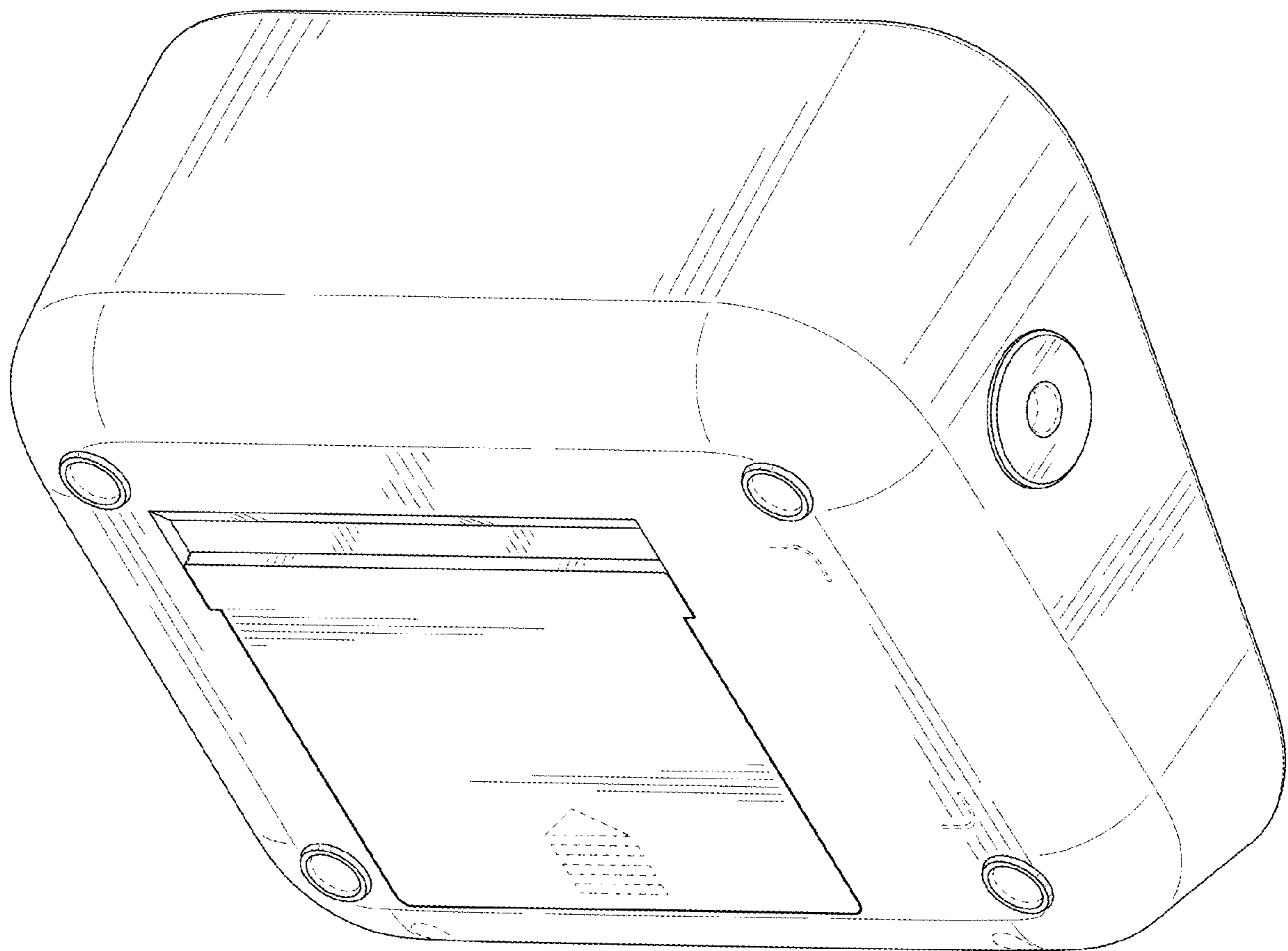


FIG. 2

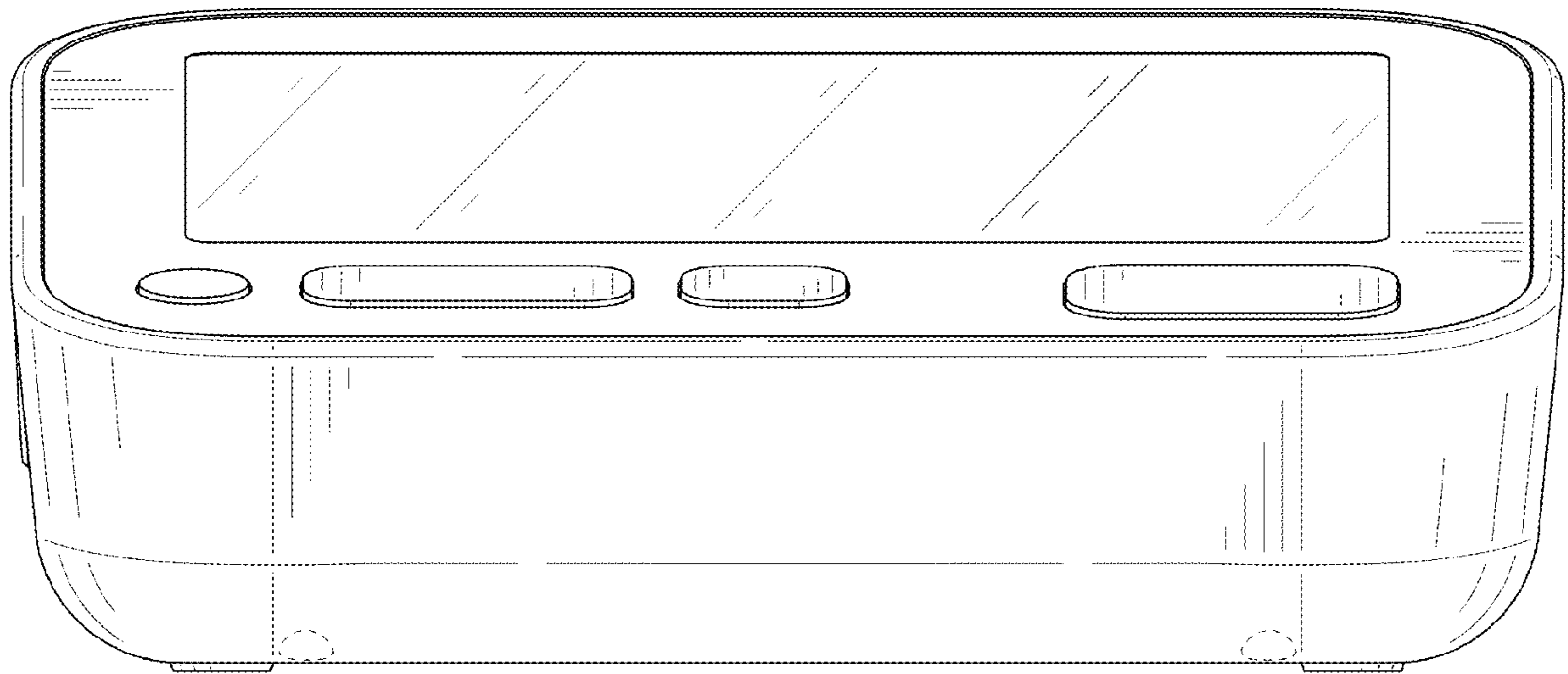


FIG. 3

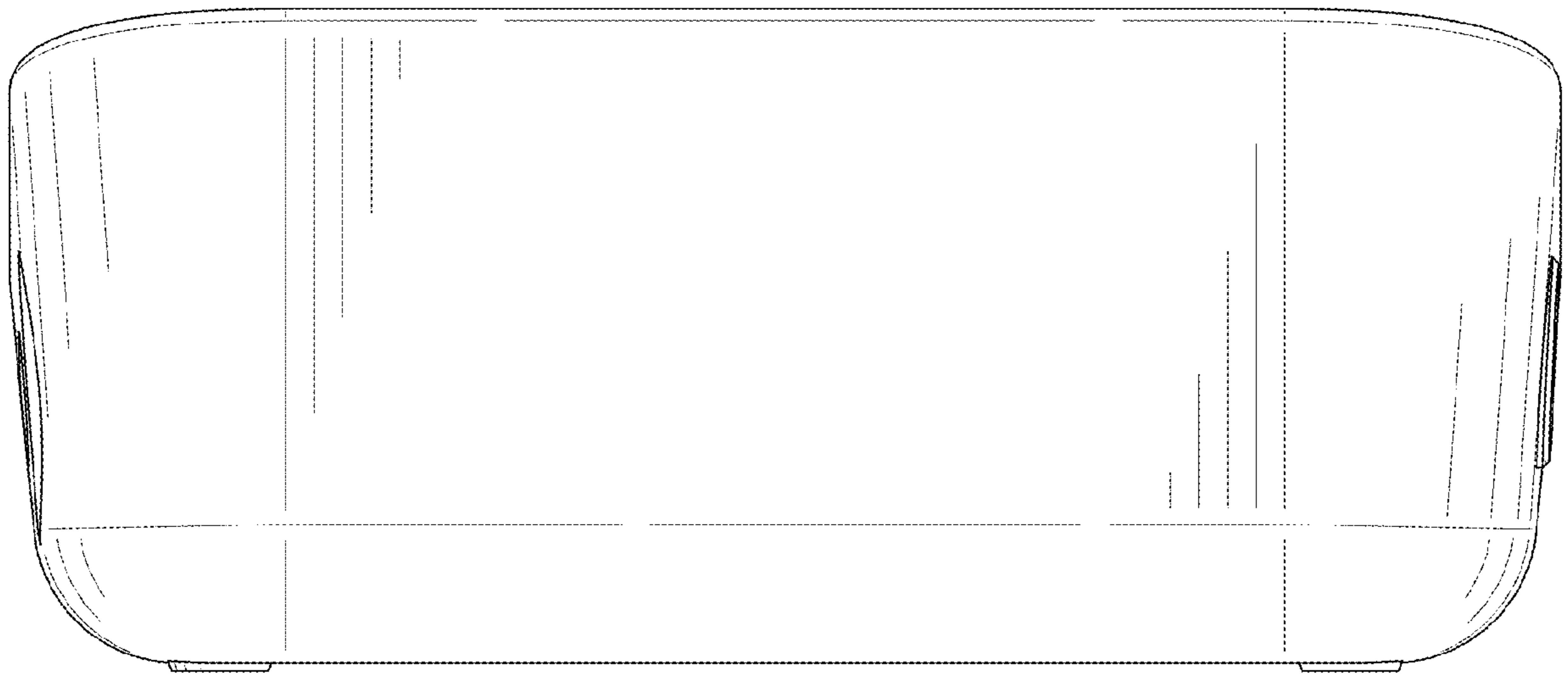


FIG. 4

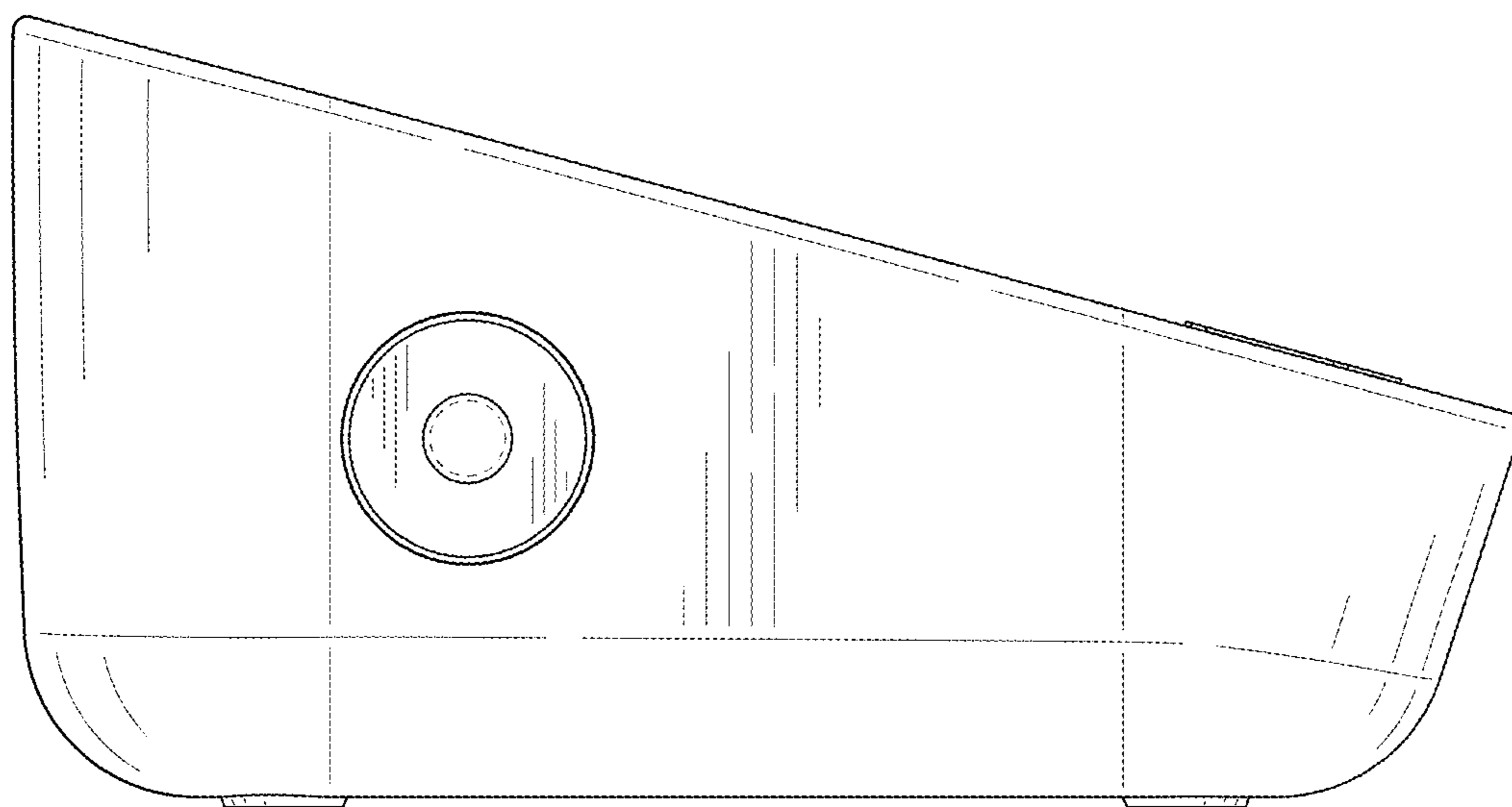


FIG. 5

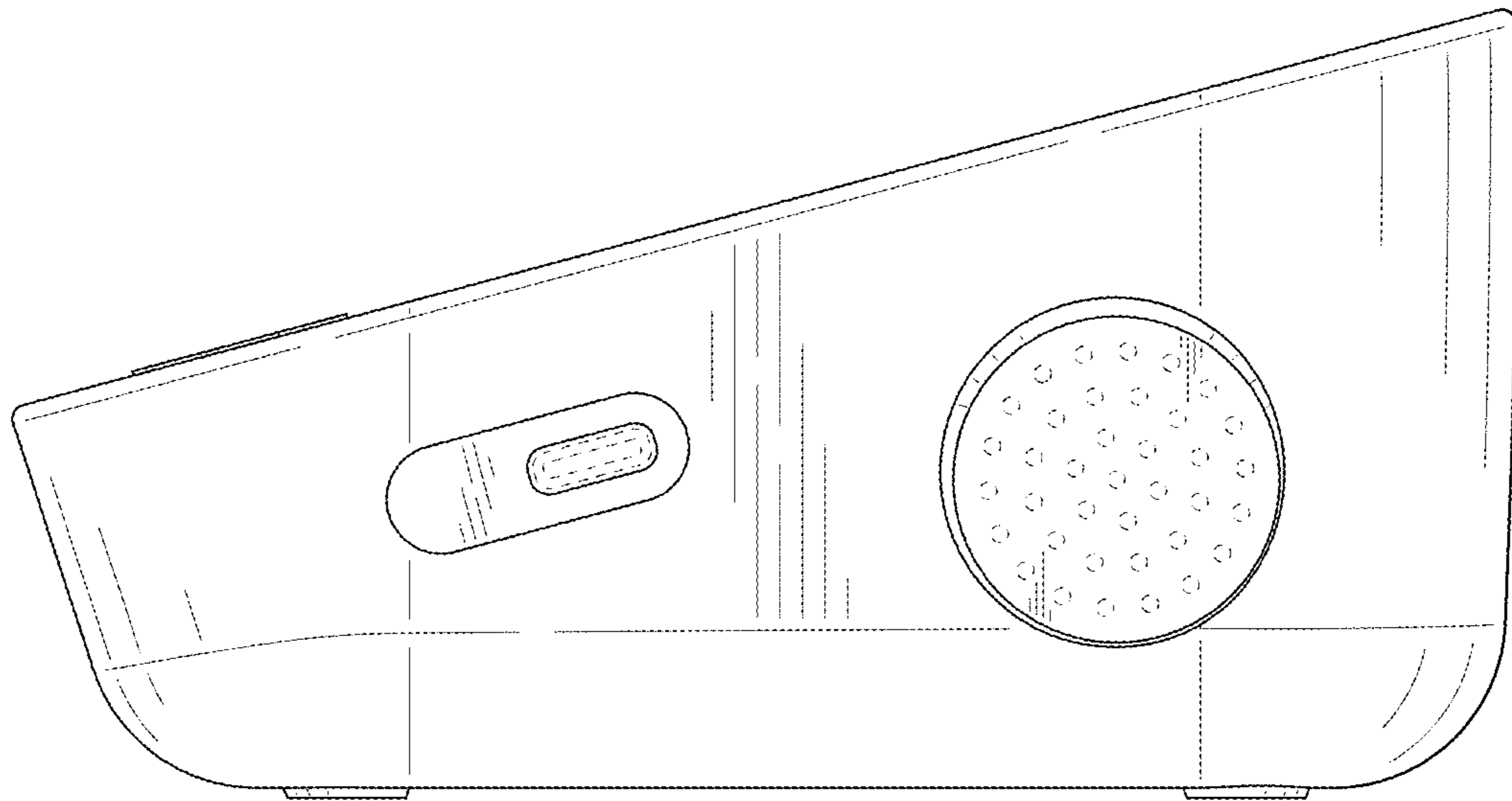


FIG. 6

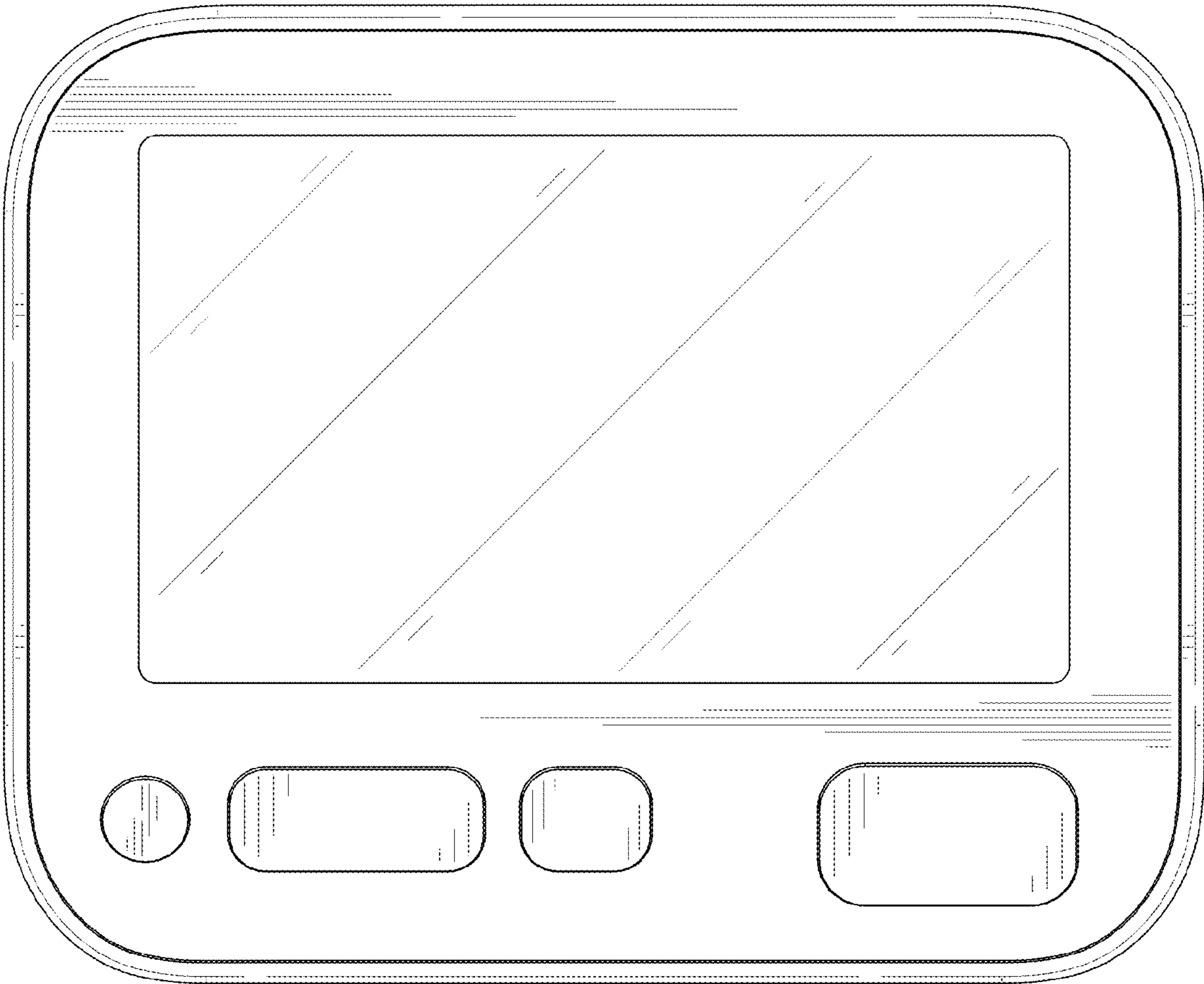


FIG. 7

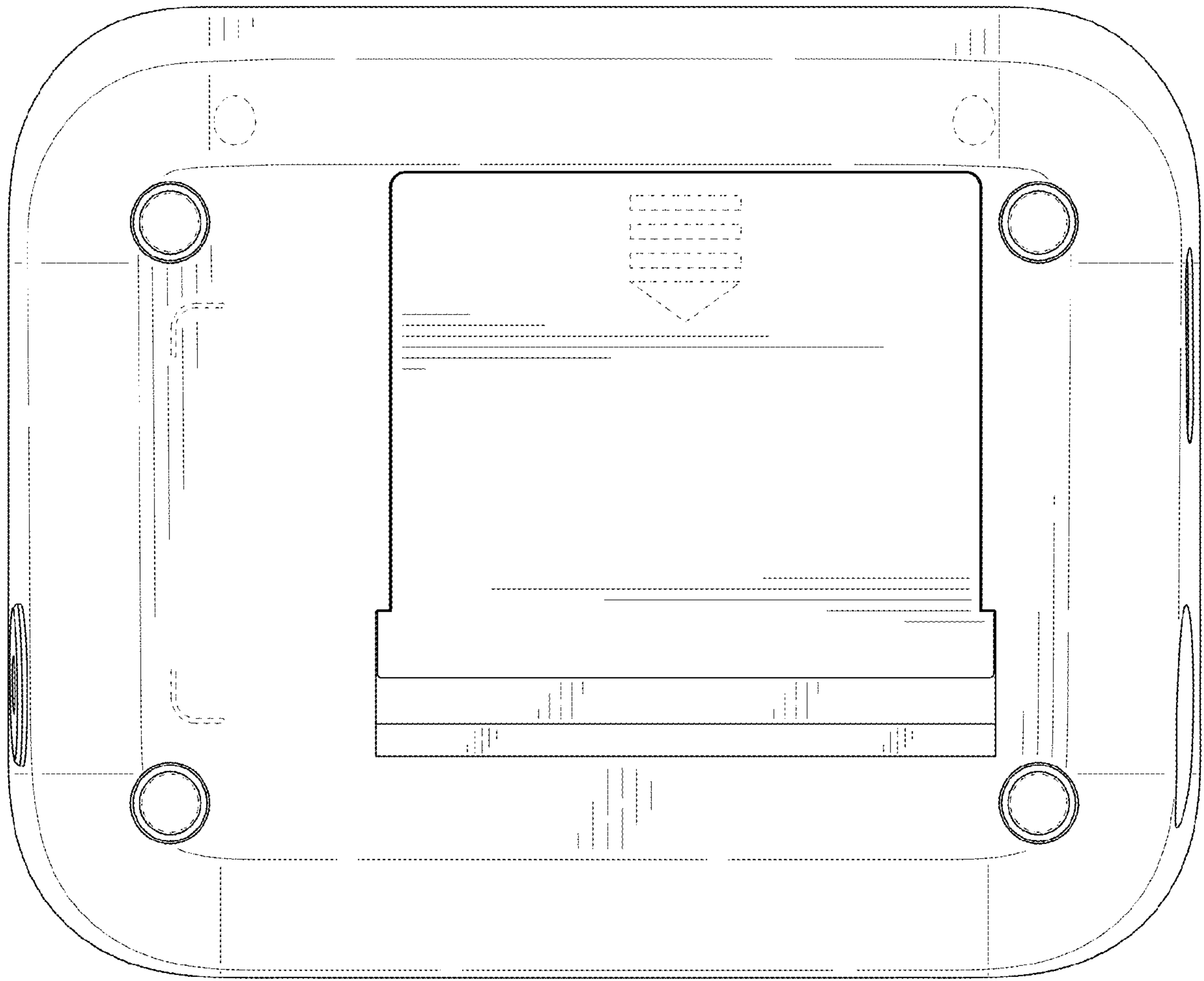


FIG. 8