



US00D942627S

(12) **United States Design Patent**
Wang

(10) **Patent No.:** **US D942,627 S**
(45) **Date of Patent:** **** Feb. 1, 2022**

- (54) **EGG INCUBATOR**
- (71) Applicant: **WUXI AI RUIDE PLASTIC PRODUCTS CO., LTD.**, Wuxi (CN)
- (72) Inventor: **Wei Wang**, Wuxi (CN)
- (73) Assignee: **WUXI AI RUIDE PLASTIC PRODUCTS CO., LTD.**, Wuxi (CN)
- (**) Term: **15 Years**
- (21) Appl. No.: **29/758,237**
- (22) Filed: **Nov. 13, 2020**
- (51) **LOC (13) Cl.** **24-02**
- (52) **U.S. Cl.**
USPC **D24/163**
- (58) **Field of Classification Search**
USPC D24/107, 163, 164, 186; D30/108, 117, D30/199; D23/334
CPC A61G 11/00; A61G 11/002; A61G 11/005; A61G 11/009; A01K 31/16; A01K 31/165; A01K 41/00; A01K 41/02; A01K 41/04
See application file for complete search history.

2007/0186864 A1* 8/2007 Bae A01K 41/00
119/319
2016/0135434 A1* 5/2016 Bodenhamer A01K 41/04
119/315
2019/0335718 A1* 11/2019 Zhao A01K 41/04

FOREIGN PATENT DOCUMENTS

CN 201530217062 * 12/2015

OTHER PUBLICATIONS

R-Com PX-10P Plastic/Metal Model 10 Pro Automatic Digital Auto-Turning Egg Incubator Plus with APS: Amazon.com: Industrial & Scientific. Product available date: Jul. 14, 2015. Retrieved on Oct. 4, 2021 from website: https://www.amazon.com/dp/B012MFGN24/ref=sspa_dk_detail_0?psc=1&pd_rd_i=B012MFGN24&pd_rd_w=aHeK7&pf_rd_p=9fd3ea7c-b77c-42ac-b43b-c872d3f37c38&pd_rd_wg=BPDY9&pf_rd_r=3%E2%80%A6*

(Continued)

Primary Examiner — Anhdao Doan

(57) **CLAIM**

The ornamental design for an egg incubator, as shown and described.

DESCRIPTION

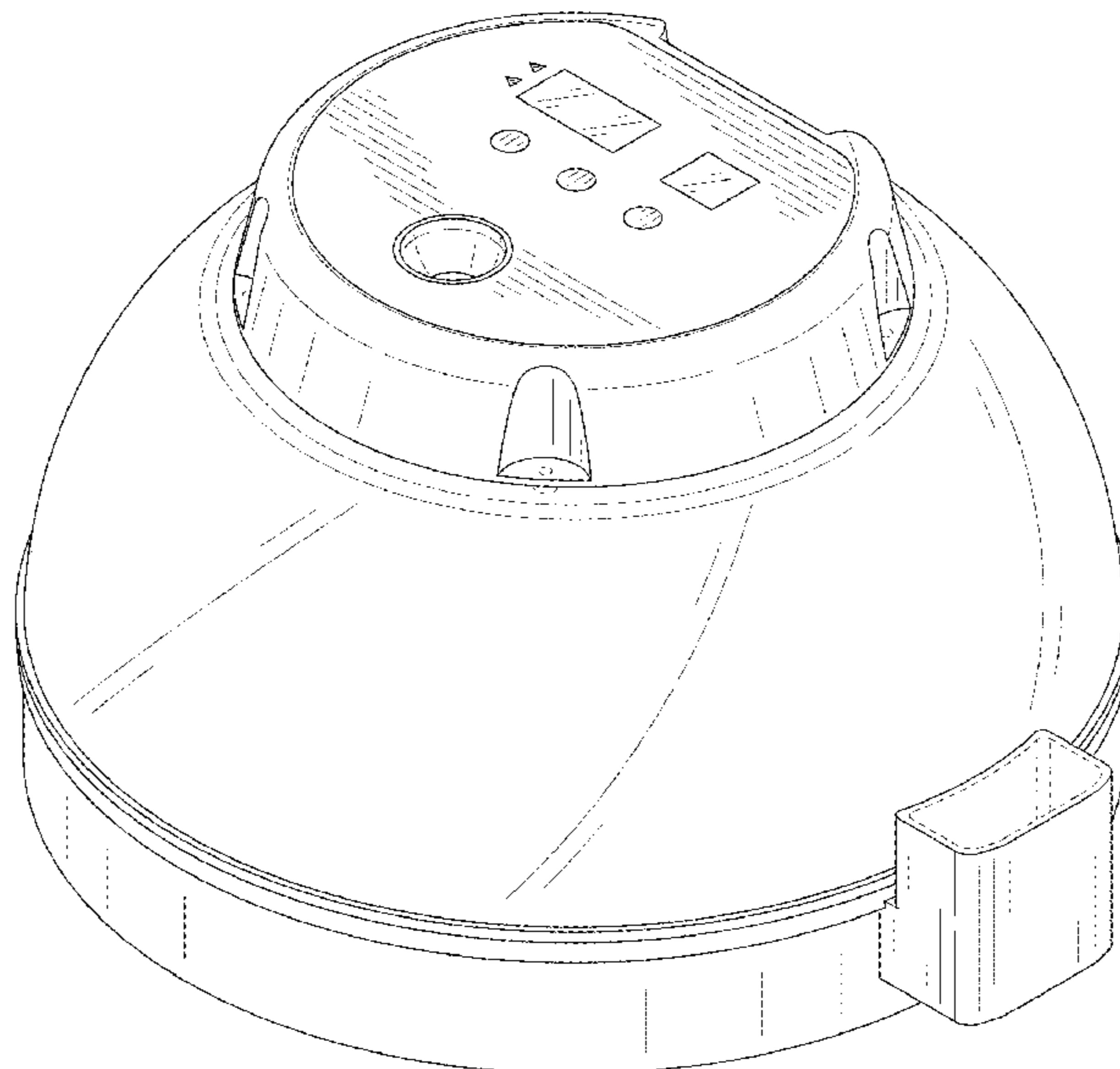
FIG. 1 is a perspective view of an egg incubator showing my new design;
FIG. 2 is another perspective view thereof;
FIG. 3 is a front elevational view thereof;
FIG. 4 is a rear elevational view thereof;
FIG. 5 is a left side elevational view thereof;
FIG. 6 is a right side elevational view thereof;
FIG. 7 is a top plan view thereof; and,
FIG. 8 is a bottom plan view thereof.
The broken lines in the drawings depict portions of the egg incubator that form no part of the claimed design.

1 Claim, 8 Drawing Sheets

(56) **References Cited**

U.S. PATENT DOCUMENTS

- D250,355 S * 11/1978 Marsh D30/117
- 5,148,773 A * 9/1992 Ontiveros A01K 41/00
119/319
- D637,292 S * 5/2011 Hudson D24/163
- D655,870 S * 3/2012 Carlin, Jr. D30/117
- D710,503 S * 8/2014 Hudson A01K 41/04
D24/163
- D758,671 S * 6/2016 Carlin, Jr. D30/117
- D814,127 S * 3/2018 Bae A01K 41/00
D30/199
- D819,821 S * 6/2018 Yamanaka A01K 41/00
D24/163



(56)

References Cited

OTHER PUBLICATIONS

Amazon.com: KEBONNIXS 12 Egg Incubator with Humidity Display, Egg Candler, Automatic Egg Turner, for Hatching Chickens : Patio, Lawn & Garden. Product available date: Dec. 29, 2019. Retrieved on Oct. 4, 2021 from website: <https://www.amazon.com/KEBONNIXS-Incubator-Humidity-Automatic-Hatching/dp/B0838VM7C9>.*

“Brinsea Products Manual Egg Incubator for Hatching 24 Chicken Eggs or Equivalent”, Retrieved Nov. 13, 2020]. Retrieved from Internet, <https://www.amazon.com/Brinsea-Products-Manual-Incubator-Equivalent/dp/B00DPMZ37K/ref>.

“Digital Fully Automatic Egg Incubator Mini 7 Eggs Poultry Hatcher Temperature Controller US Plug Portable Heats Cools Machine for Hatch Chickens Ducks Geese Quail Parrots Pigeons Birds Other Poult”, Retrieved Nov. 13, 2020]. Retrieved from Internet, <https://www.amazon.com/Automatic-Incubator-Temperature-Controller-Portable/dp/B07BPKMB3G/ref>.

* cited by examiner

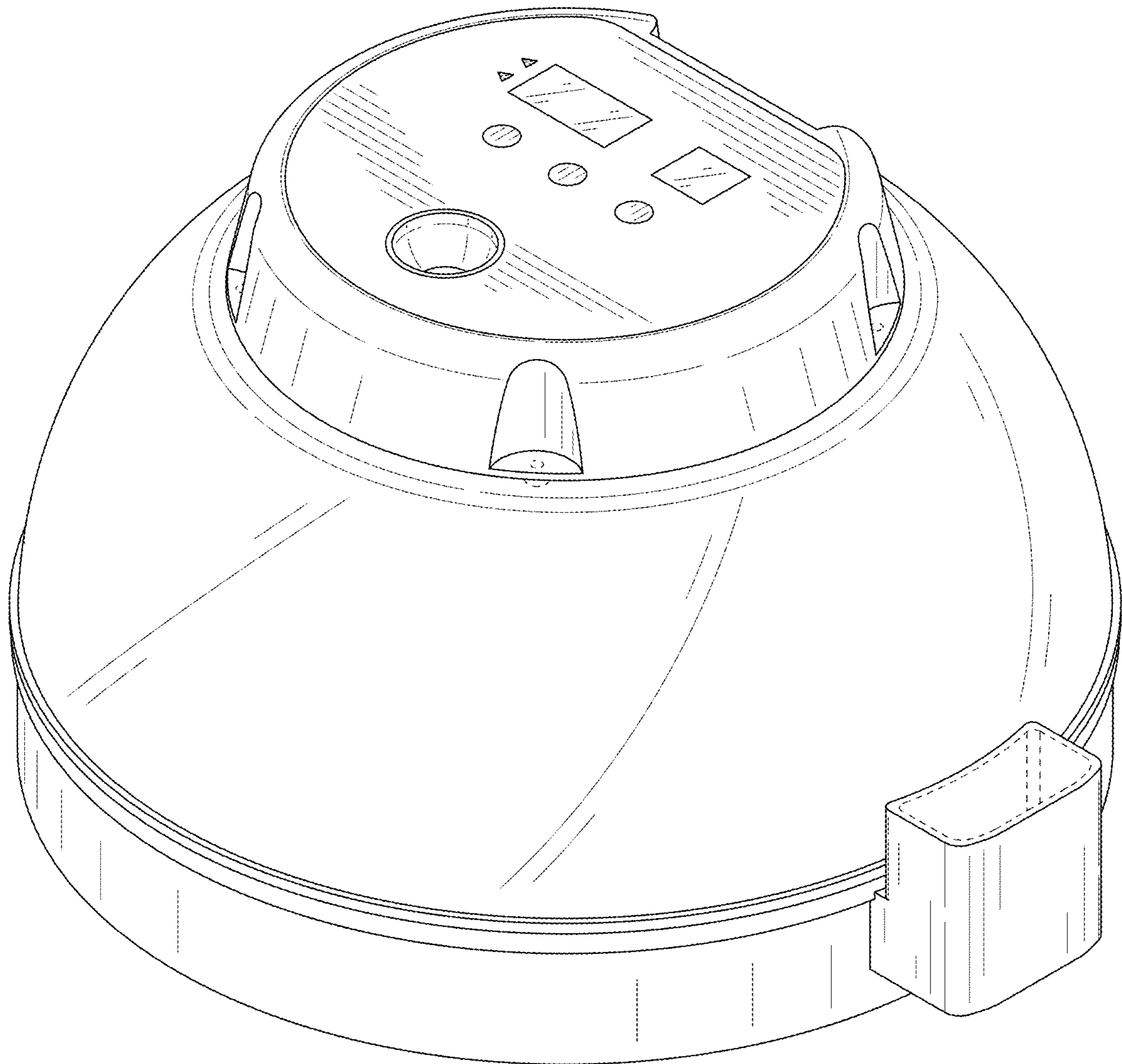


FIG. 1

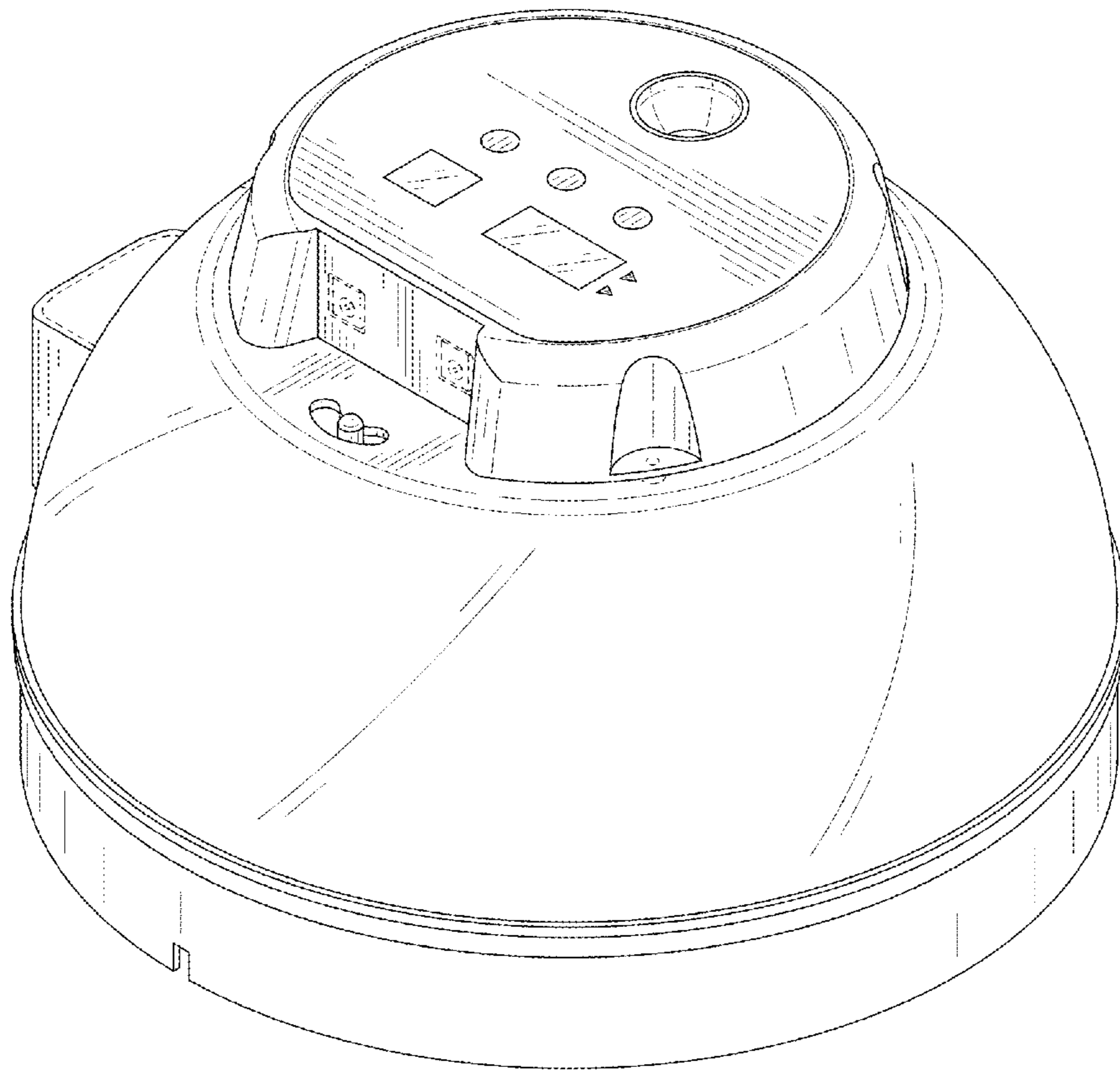


FIG. 2

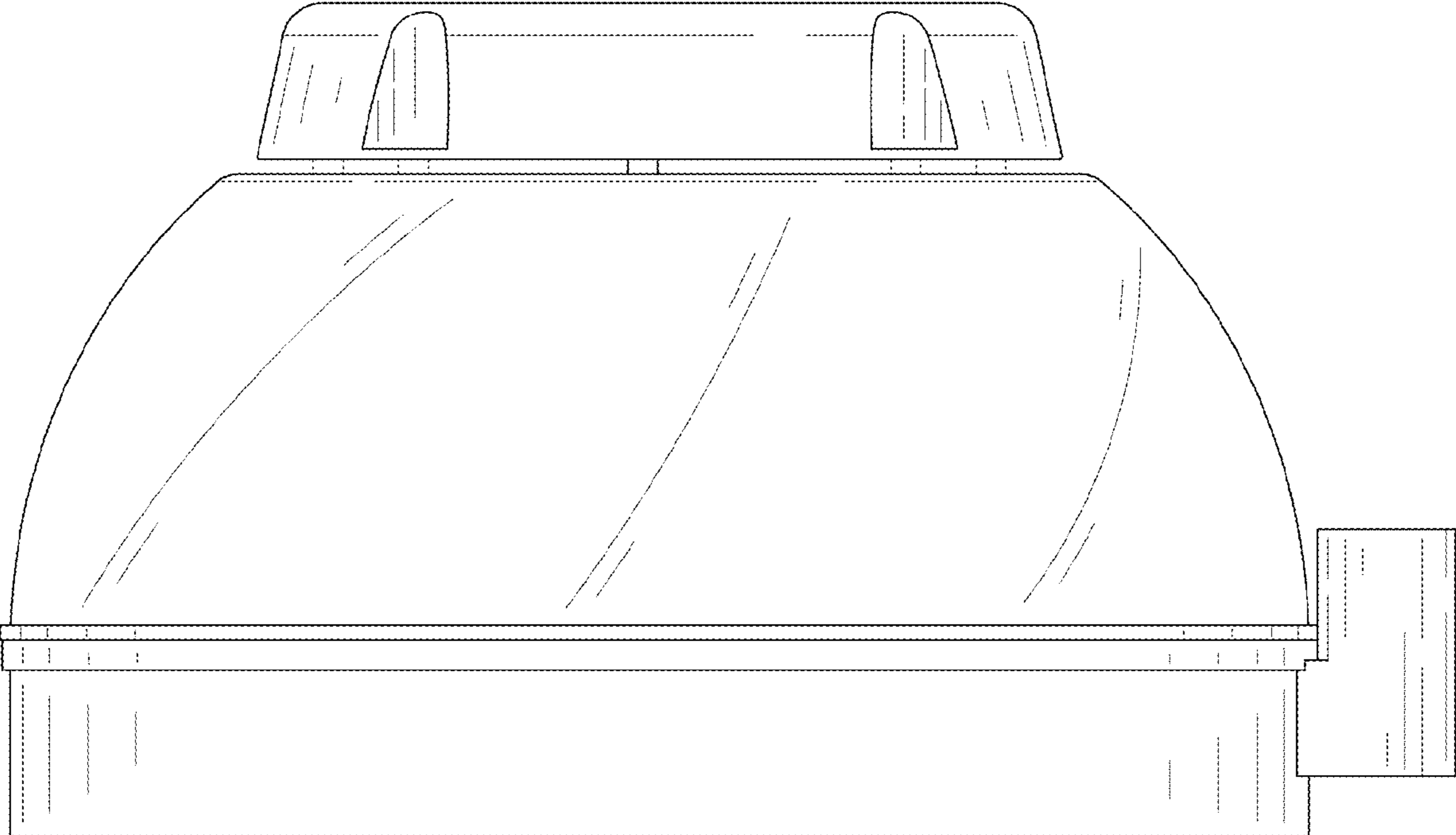


FIG. 3

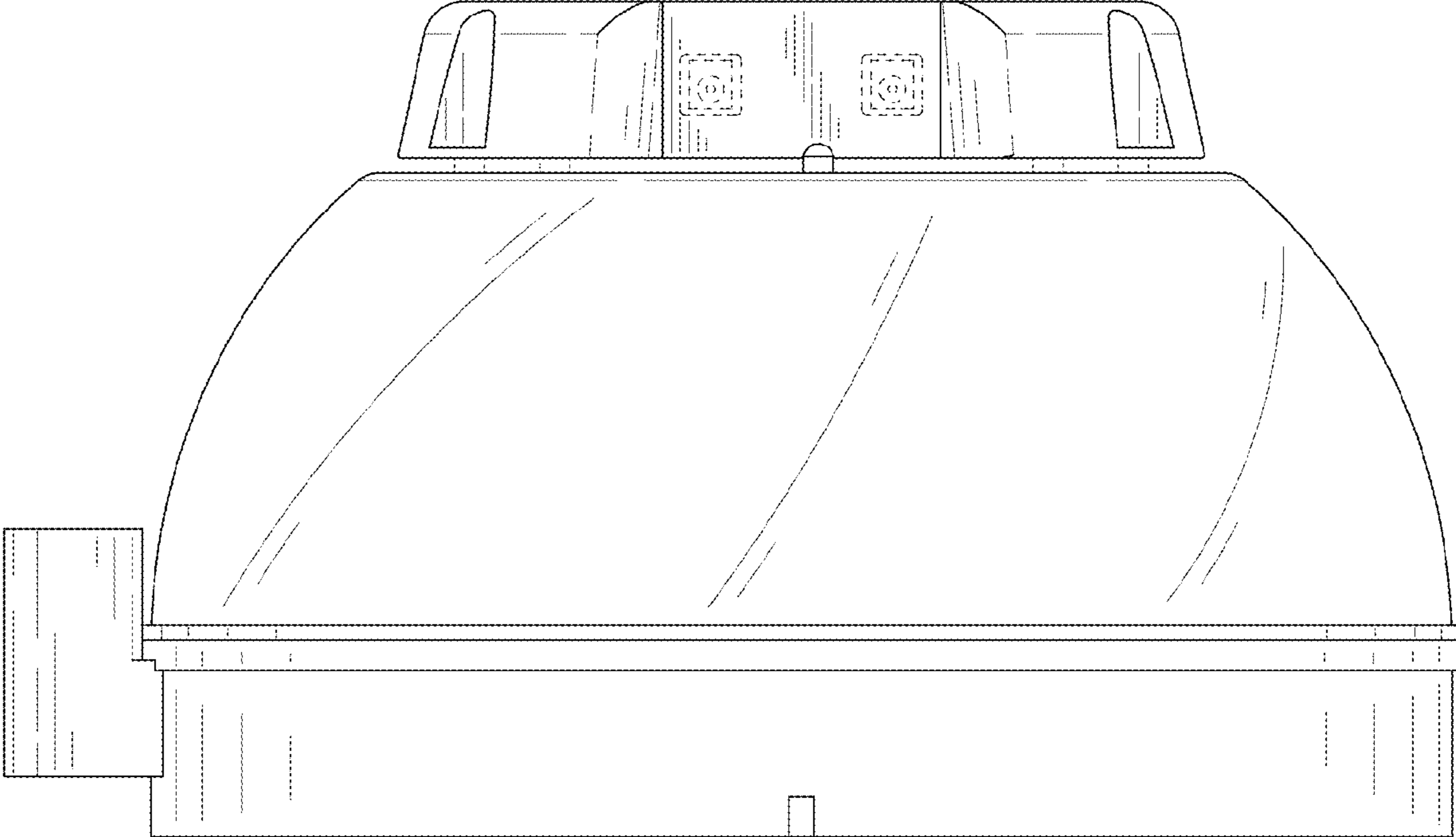


FIG. 4

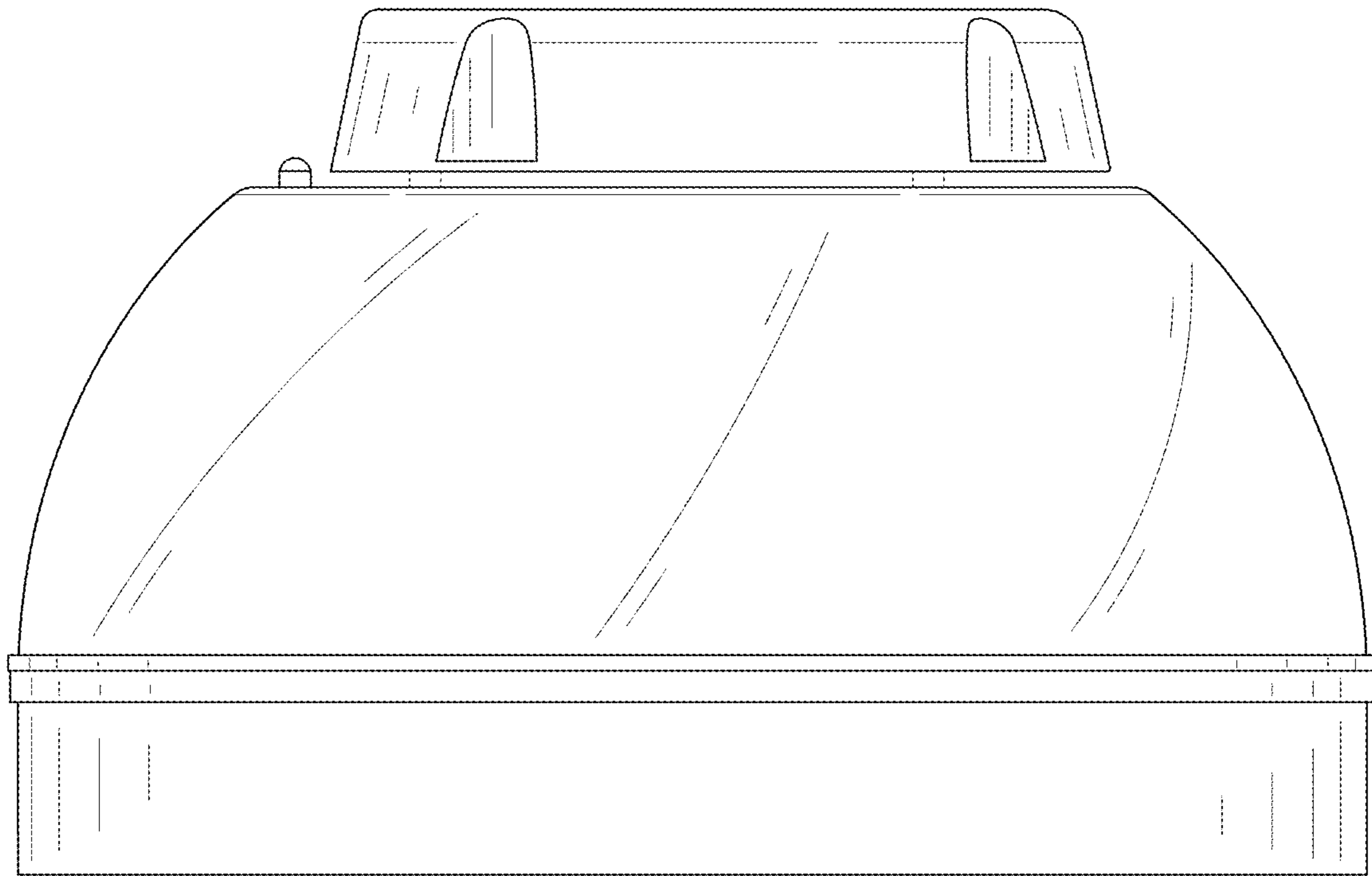


FIG. 5

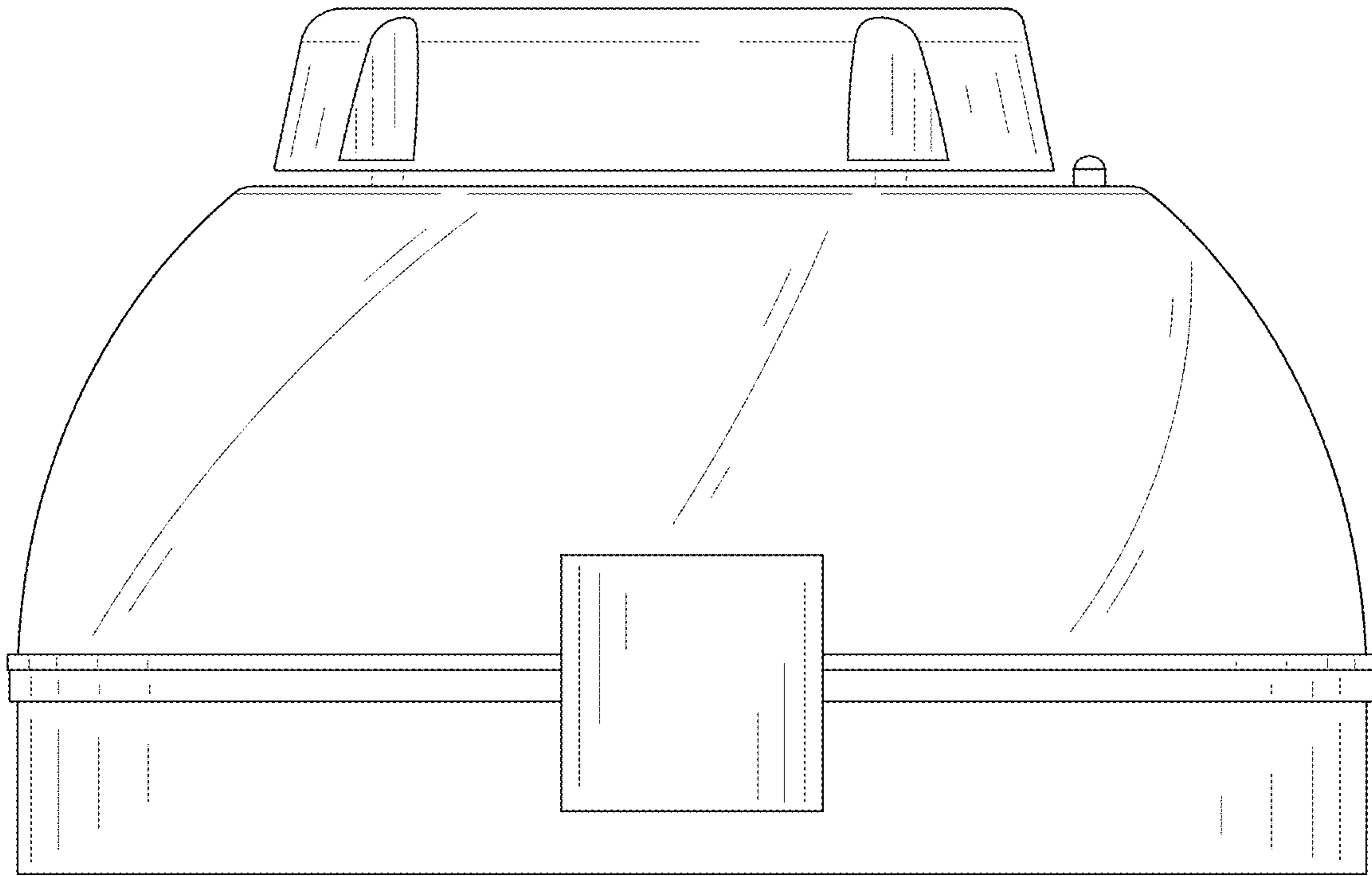


FIG. 6

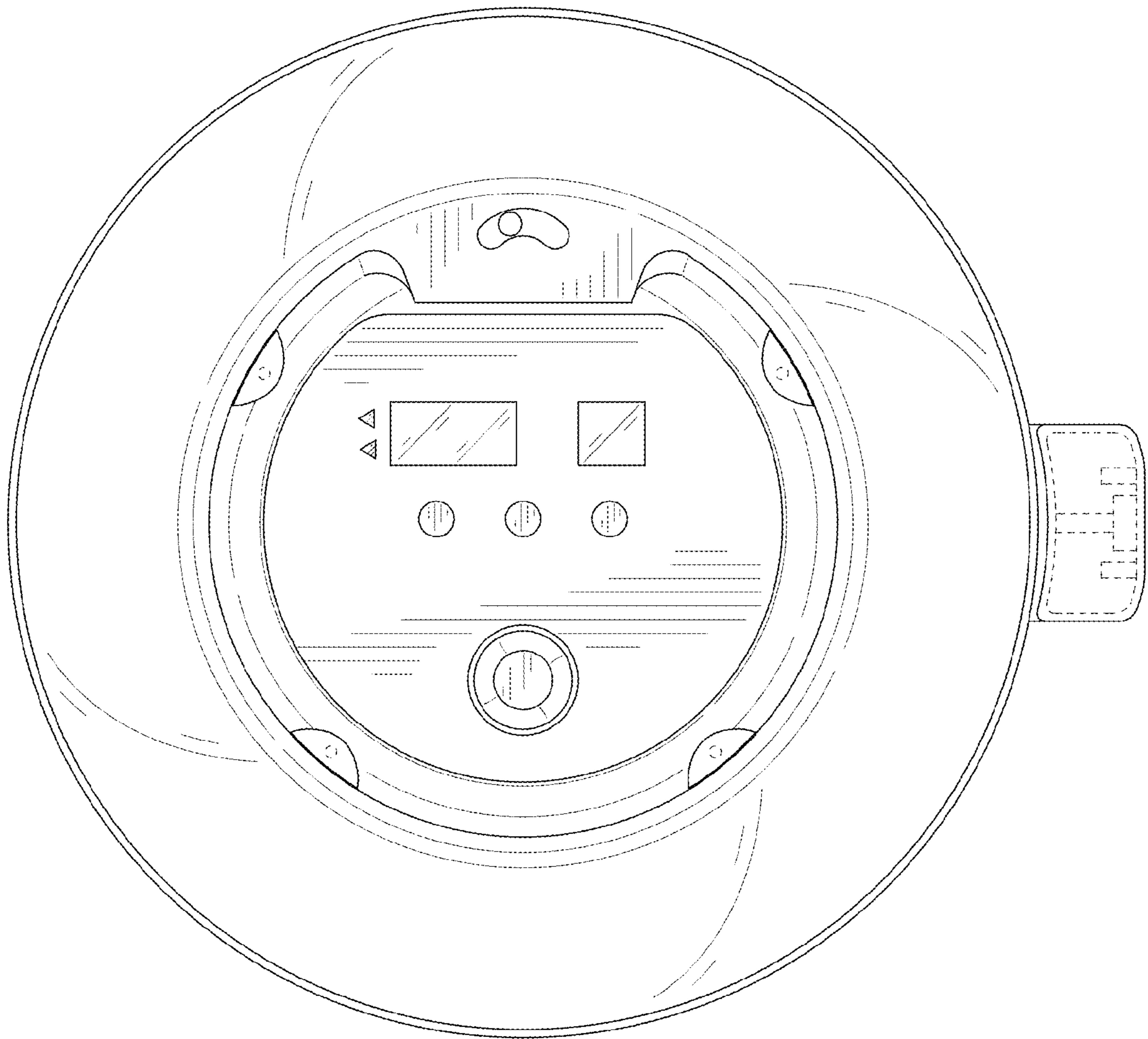


FIG. 7

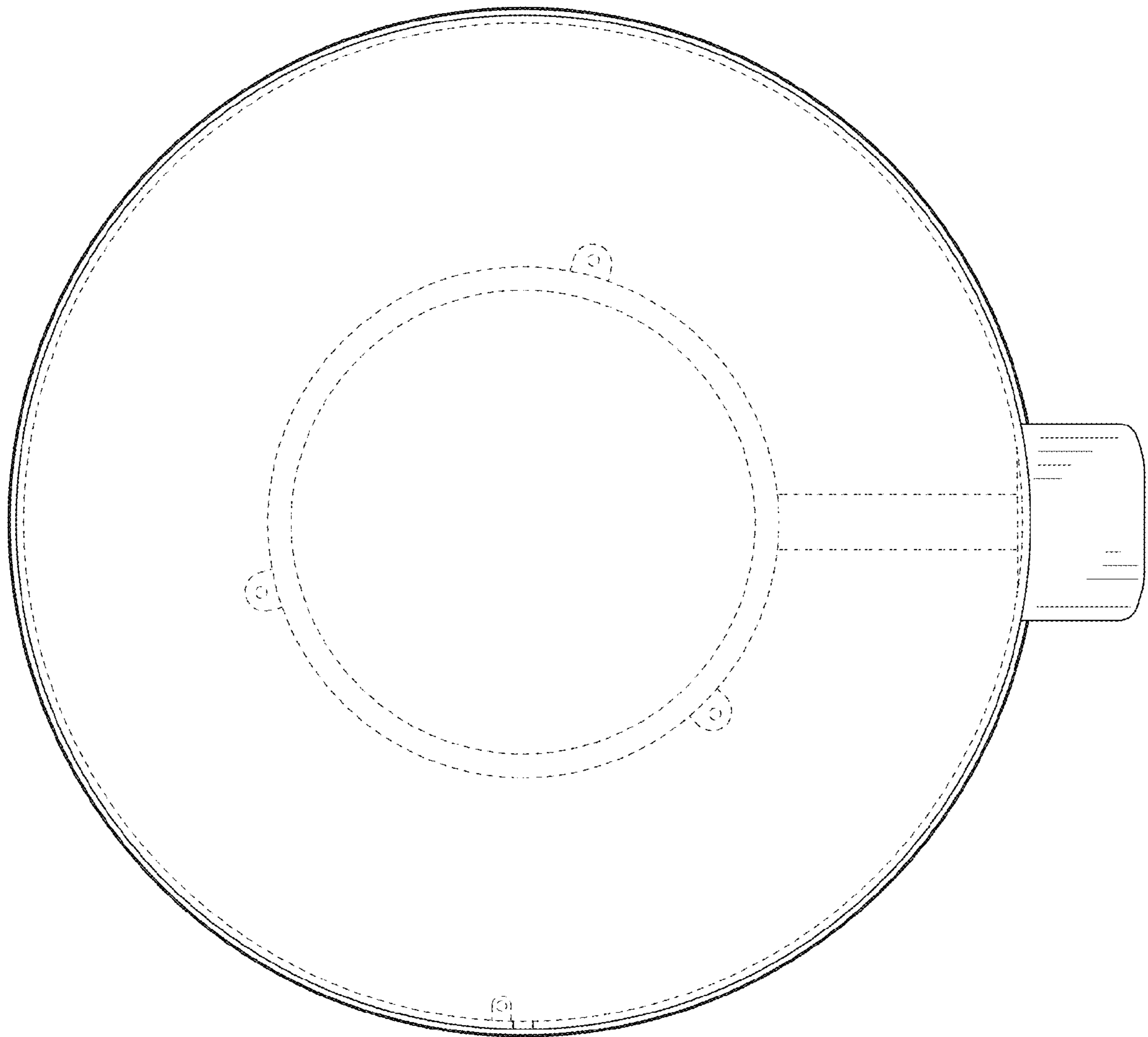


FIG. 8