



US00D942621S

(12) **United States Design Patent**  
**Cheng et al.**

(10) **Patent No.:** **US D942,621 S**

(45) **Date of Patent:** **\*\* Feb. 1, 2022**

(54) **BENDABLE URETERAL ACCESS SHEATH**

*Primary Examiner* — Natasha Vujcic

*Assistant Examiner* — Gilbert B Ford

(71) Applicant: **The First Affiliated Hospital of Guangxi Medical University**, Nanning (CN)

(74) *Attorney, Agent, or Firm* — Lin Yu; Juniv LLP

(72) Inventors: **Jiwen Cheng**, Nanning (CN); **Tianyu Li**, Nanning (CN); **Zengnan Mo**, Nanning (CN)

(57) **CLAIM**

We claim, the ornamental design for a bendable ureteral access sheath, as shown and described.

(\*\*) Term: **15 Years**

**DESCRIPTION**

(21) Appl. No.: **29/730,317**

(22) Filed: **Apr. 2, 2020**

(51) **LOC (13) Cl.** ..... **24-02**

(52) **U.S. Cl.**  
USPC ..... **D24/130; D24/112**

(58) **Field of Classification Search**  
USPC ..... D24/112, 122, 127, 129, 130, 135, 140, D24/222

(Continued)

(56) **References Cited**

**U.S. PATENT DOCUMENTS**

3,409,224 A \* 11/1968 Harp ..... A47G 21/186  
239/33  
D214,150 S \* 5/1969 Nardone ..... D7/300.2

(Continued)

**FOREIGN PATENT DOCUMENTS**

CN 209952029 U 1/2020  
WO 2007081706 A2 7/2007  
WO 2010132560 A1 11/2010

**OTHER PUBLICATIONS**

Ureteral Access Sheath by UROTECH, Amazon, [Post date Dec. 17, 2019], [Site Visited Sep. 22, 2021], Seen at URL: <https://www.youtube.com/watch?v=Lh7PdQHjSLg> (Year: 2019).\*

(Continued)

FIG. 1 is a perspective view of a bendable ureteral access sheath.

FIG. 2 is a right side view of the bendable ureteral access sheath.

FIG. 3 is a left side view of the bendable ureteral access sheath.

FIG. 4 is a front view of the bendable ureteral access sheath.

FIG. 5 is a rear view of the bendable ureteral access sheath.

FIG. 6 is a top view of the bendable ureteral access sheath.

FIG. 7 is a bottom view of the bendable ureteral access sheath.

FIG. 8 is a perspective view of the bendable ureteral access sheath.

FIG. 9 is a perspective view of a bendable ureteral access sheath.

FIG. 10 is a right side view of the bendable ureteral access sheath.

FIG. 11 is a left side view of the bendable ureteral access sheath.

FIG. 12 is a front view of the bendable ureteral access sheath.

FIG. 13 is a rear view of the bendable ureteral access sheath.

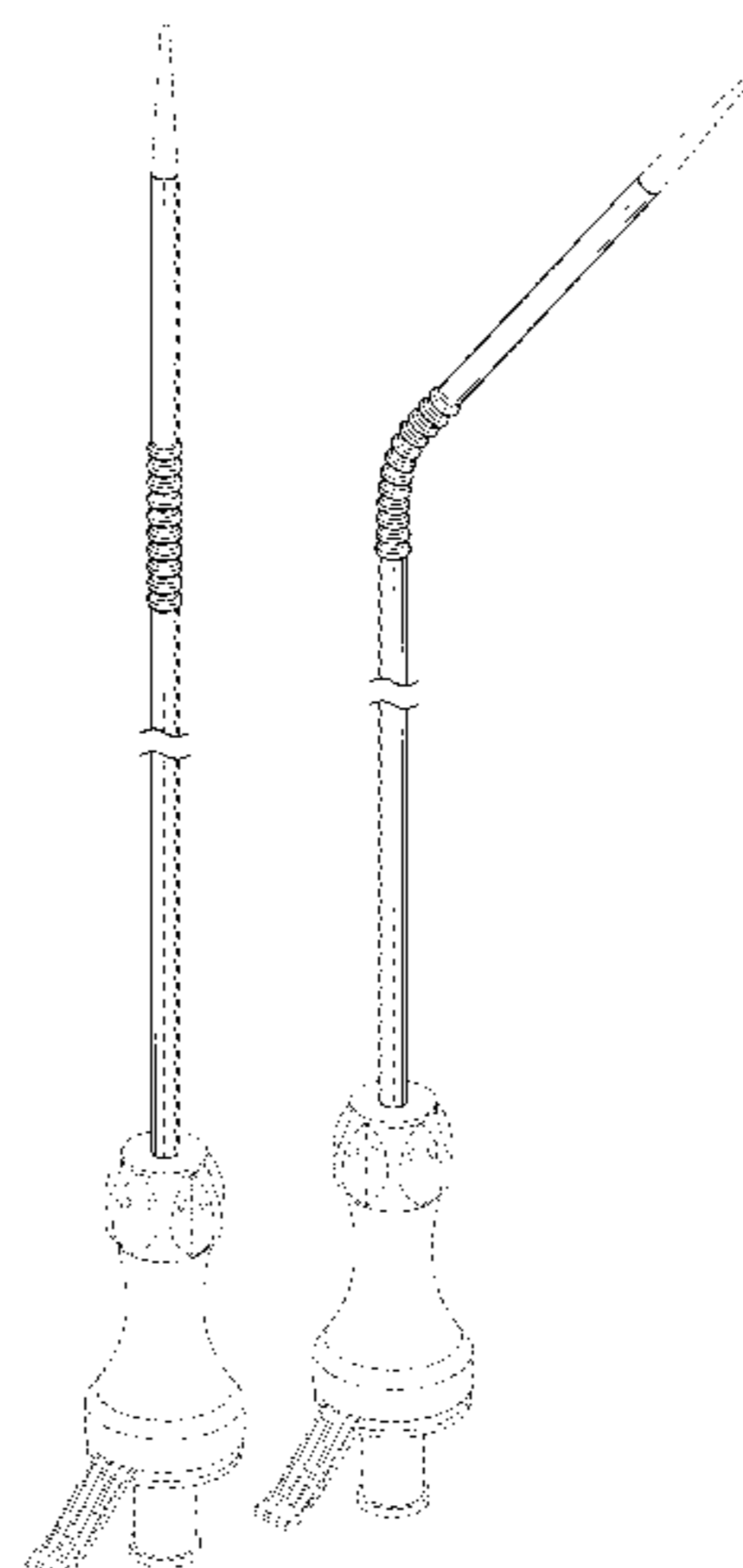
FIG. 14 is a top view of the bendable ureteral access sheath.

FIG. 15 is a bottom view of the bendable ureteral access sheath; and,

FIG. 16 is a perspective view of the bendable ureteral access sheath.

The bendable ureteral access sheath is shown with a symbolic break in its length. The appearance of any of portion of the article between the break lines forms no part of the

(Continued)



claimed design. The broken lines in the figures show portions of the bendable ureteral access sheath that form no part of the claimed design.

**1 Claim, 10 Drawing Sheets**

**(58) Field of Classification Search**

CPC ... A61B 1/0057; A61B 17/3421; A61B 1/303;  
A61M 25/0138; A61M 25/0133; A61F  
2/042

See application file for complete search history.

**(56) References Cited**

U.S. PATENT DOCUMENTS

D248,774	S *	8/1978	Vallfors	.....	604/264
D248,969	S *	8/1978	Hodge	.....	604/268
D284,892	S *	7/1986	Glassman	.....	D24/112
D318,733	S	7/1991	Wyzgala		
D413,382	S *	8/1999	Maissami	.....	D24/152
6,398,266	B1 *	6/2002	Crump	.....	F16L 11/15 138/121

D687,542	S *	8/2013	Esposito	.....	D24/112
D753,289	S *	4/2016	Shimon	.....	D24/112
D753,290	S	4/2016	Shimon		
9,782,566	B1	10/2017	Paprocki et al.		
D858,751	S *	9/2019	Fischman	.....	D24/112
10,655,759	B2 *	5/2020	Elliott	.....	F16L 11/15
D887,000	S *	6/2020	Campo	.....	D24/138
D890,878	S *	7/2020	Rae	.....	D22/117
D898,499	S *	10/2020	Pisarevsky	.....	D7/300.2
D902,387	S *	11/2020	Oellgaard	.....	D24/112
D918,383	S *	5/2021	Kim	.....	D24/112
D927,911	S *	8/2021	Cran	.....	D7/300.2
2006/0247602	A1 *	11/2006	Dulak	.....	A61M 25/0662 604/523
2015/0112142	A1 *	4/2015	Ando	.....	A61B 1/0052 600/149
2016/0089515	A1 *	3/2016	Hansen	.....	A61M 25/09 604/510
2020/0315445	A1 *	10/2020	Cheng	.....	A61M 25/0052

OTHER PUBLICATIONS

Kaplan et al., "Use of ureteral access sheaths in ureteroscopy," Nat. Rev. Urol. 2016, 13, 135-40.

\* cited by examiner

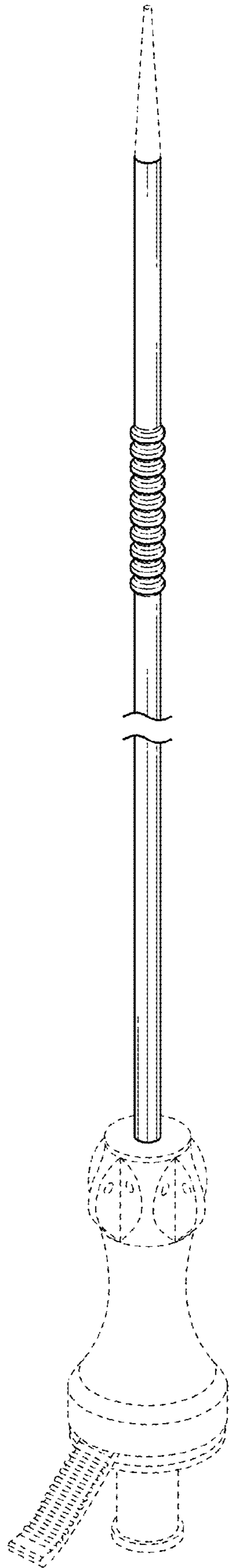


FIG. 1

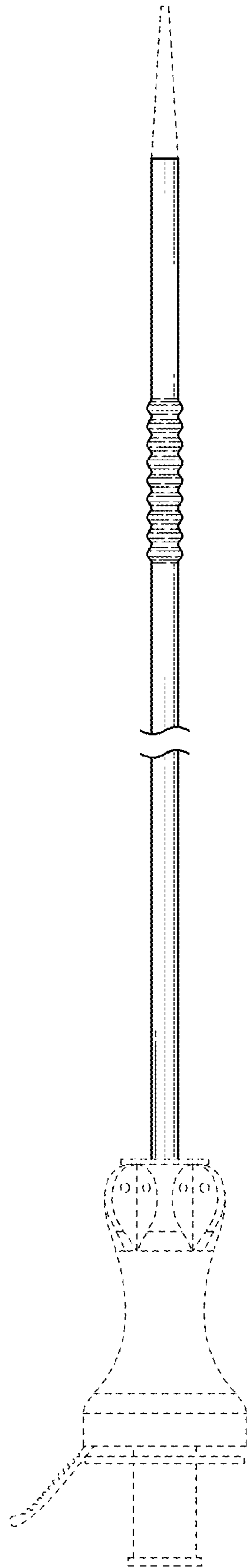


FIG. 2

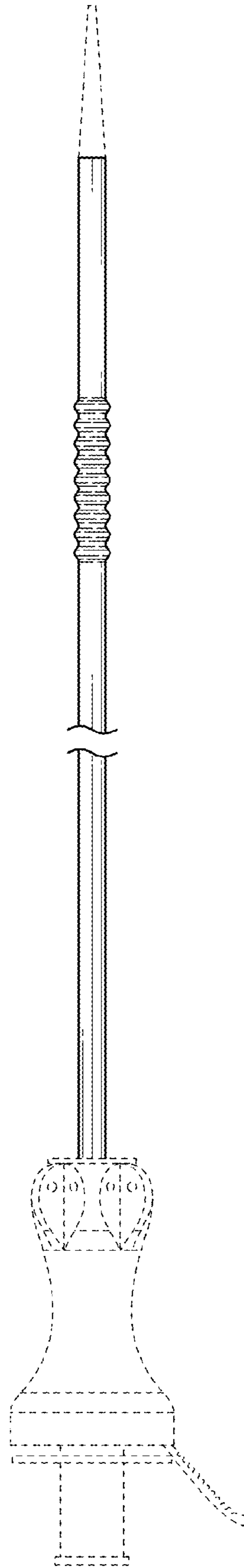


FIG. 3

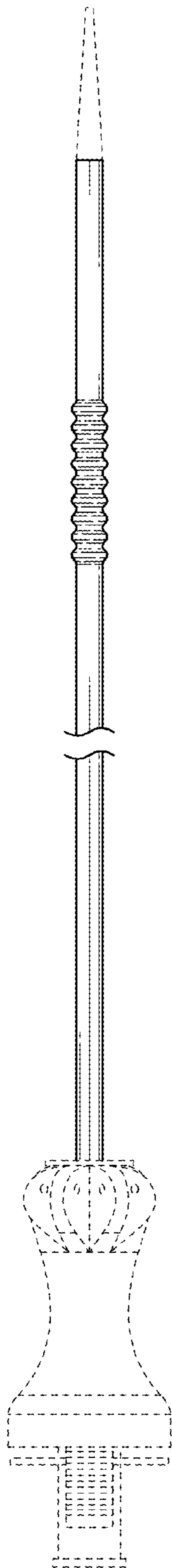


FIG. 4

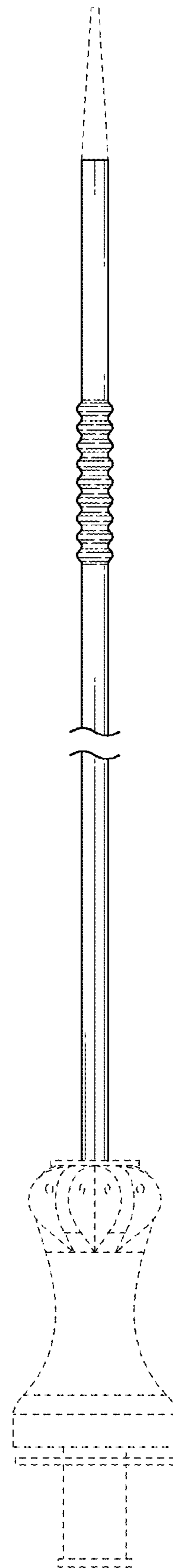


FIG. 5

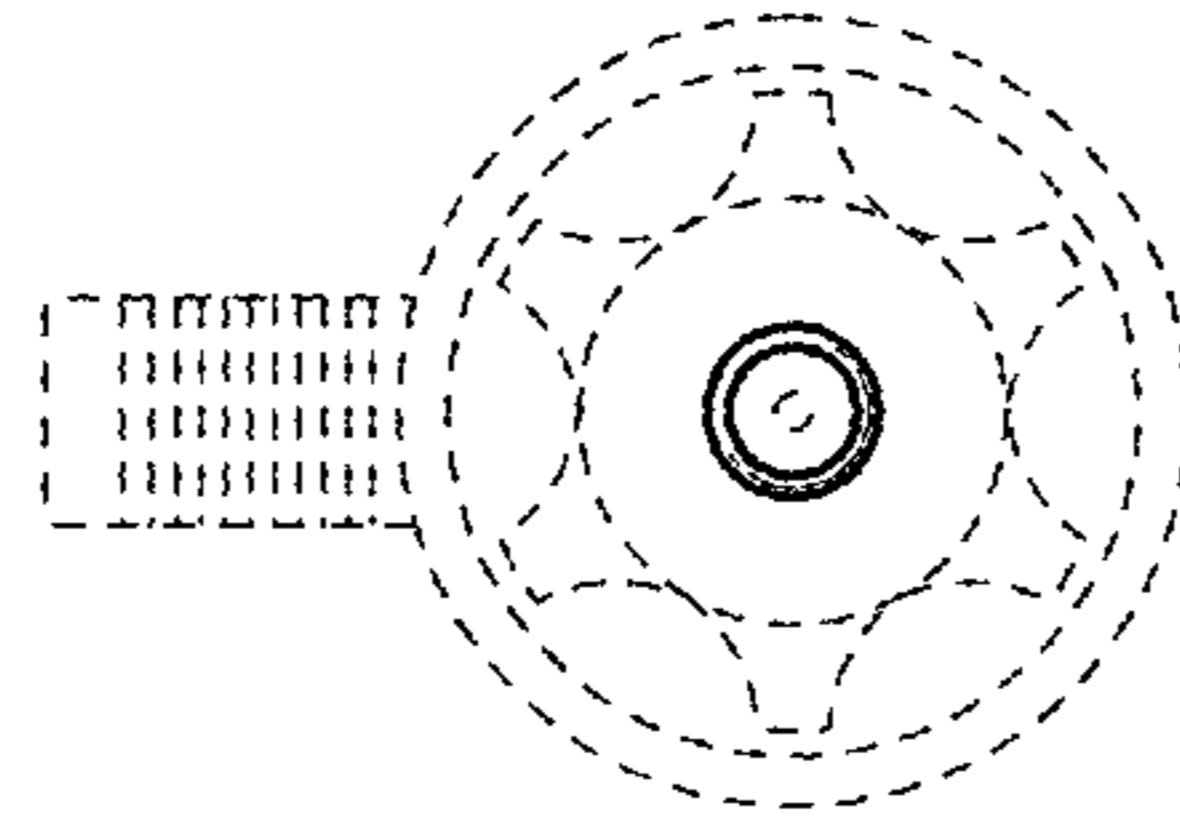


FIG. 6

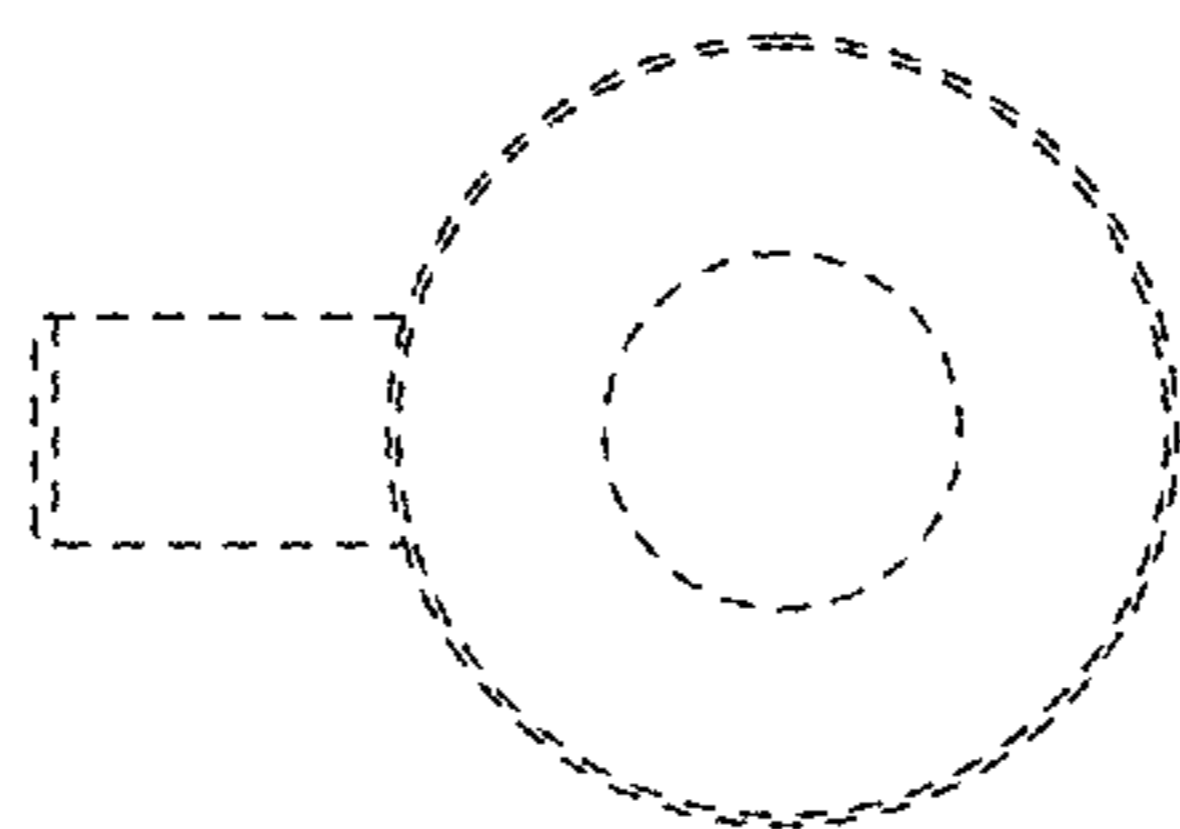


FIG. 7

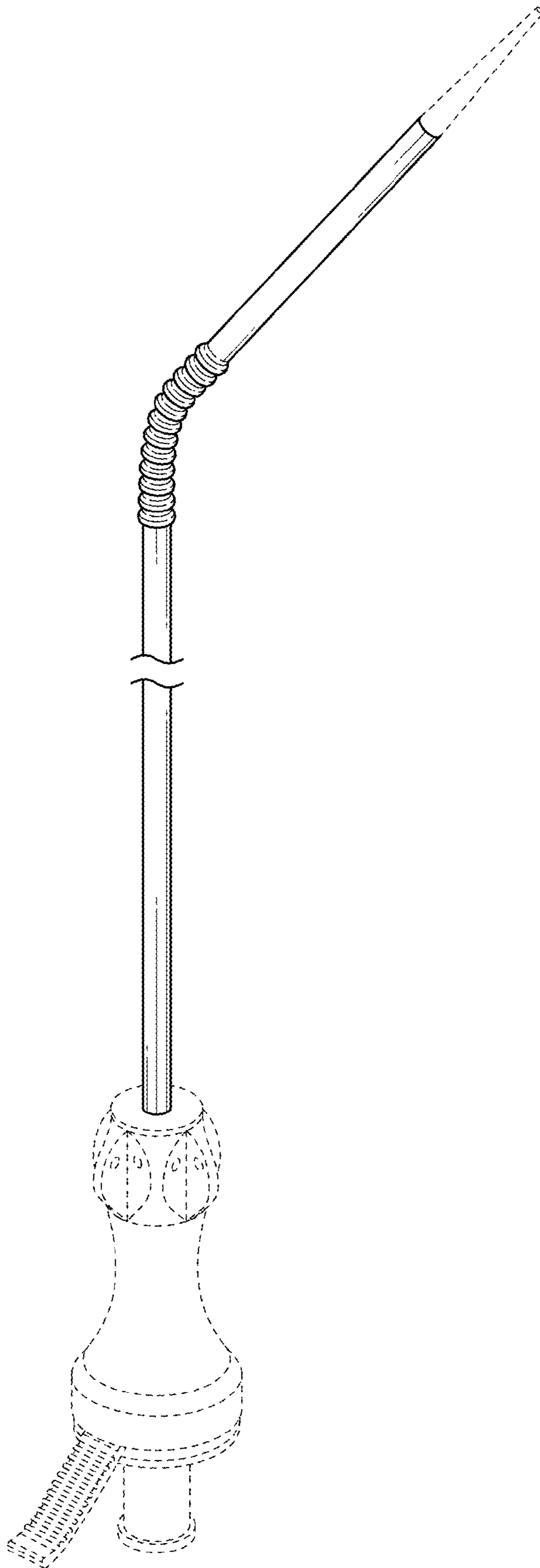


FIG. 8

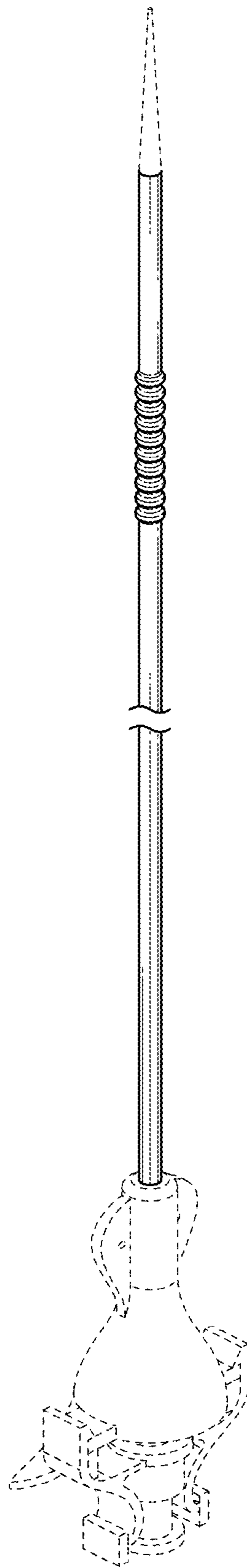


FIG. 9



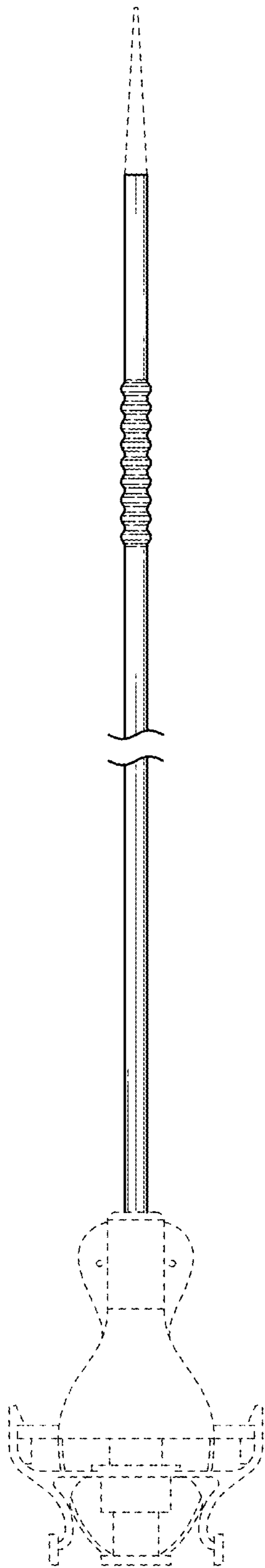


FIG. 10

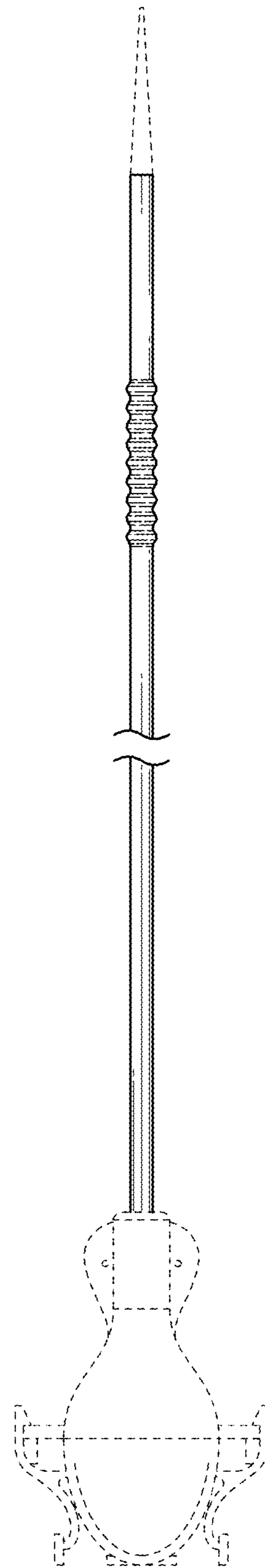


FIG. 11

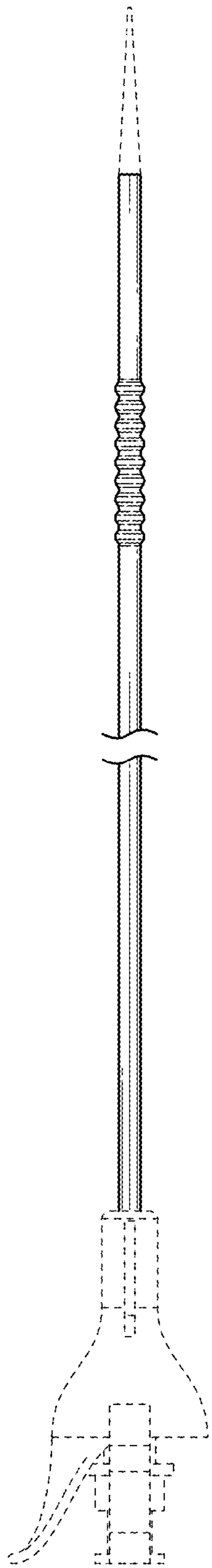


FIG. 12

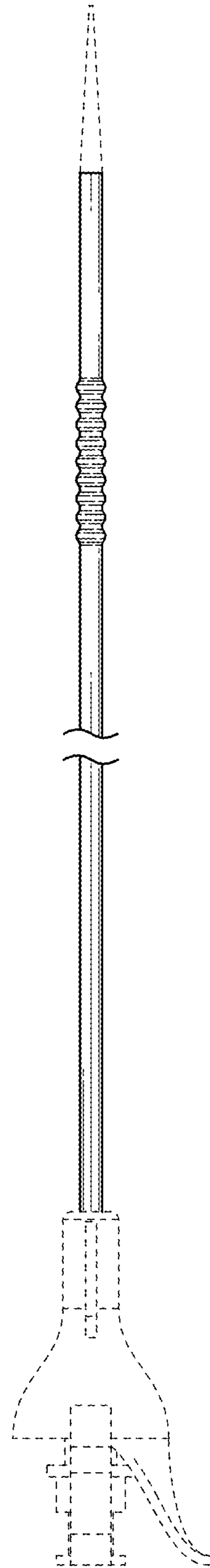
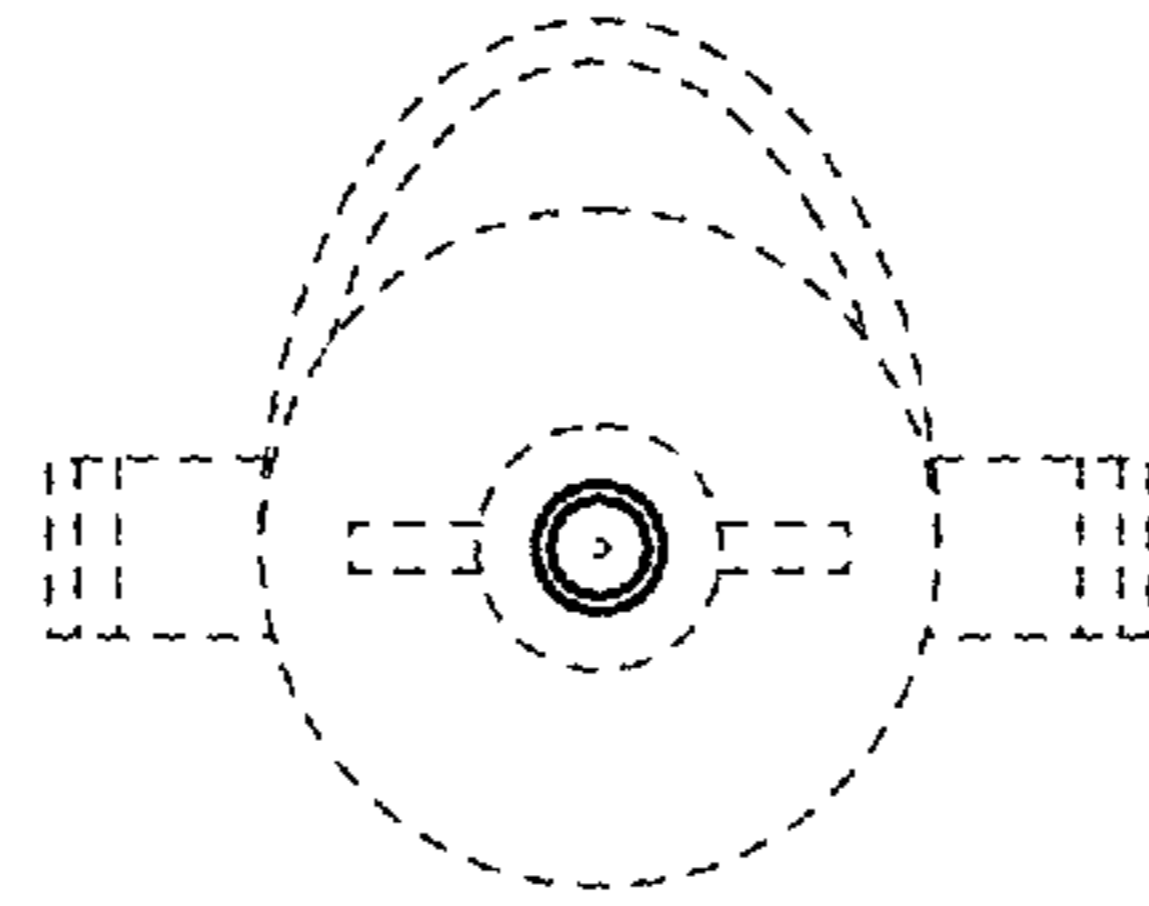
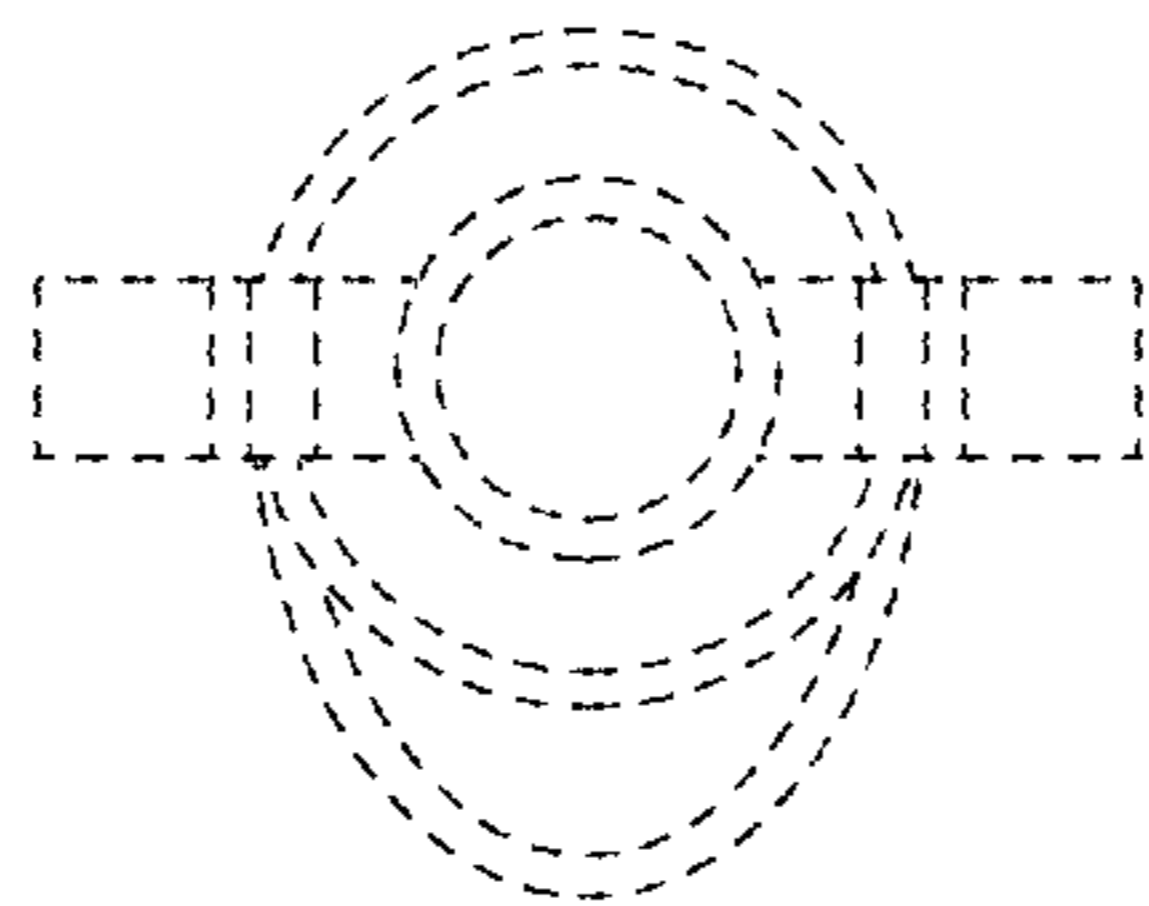


FIG. 13



**FIG. 14**



**FIG. 15**

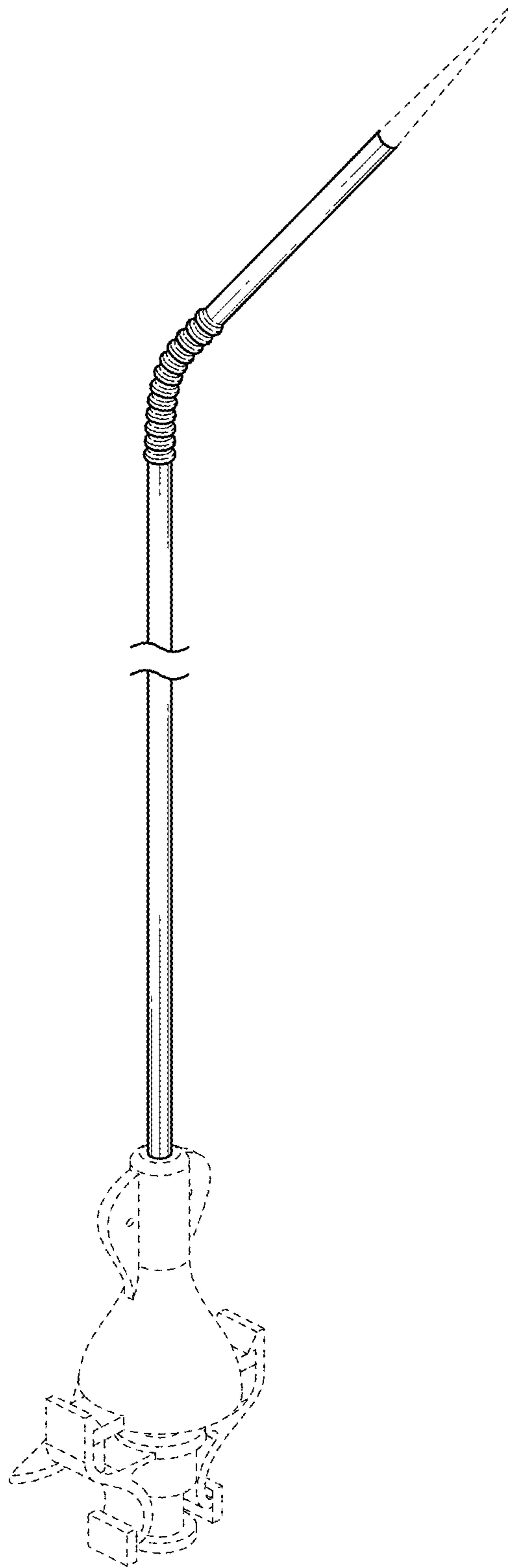


FIG. 16