



US00D942620S

(12) **United States Design Patent** (10) **Patent No.:** **US D942,620 S**  
**Doerr** (45) **Date of Patent:** **\*\* Feb. 1, 2022**

(54) **MOUNT FOR AN INDICATOR OR INSTRUMENT**

internet URL: <https://www.flidistribution.co.uk/2020-ktm-kiox-display-holder> (Year: 2020).\*

(Continued)

(71) Applicant: **Robert Bosch GmbH**, Stuttgart (DE)

*Primary Examiner* — Natasha Vujcic

(72) Inventor: **Daniel Doerr**, Stuttgart (DE)

*Assistant Examiner* — Gilbert B Ford

(73) Assignee: **Robert Bosch GmbH**, Stuttgart (DE)

(74) *Attorney, Agent, or Firm* — Maginot, Moore & Beck LLP

(\*\*) Term: **15 Years**

(57) **CLAIM**

(21) Appl. No.: **29/724,417**

The ornamental design for a mount for an indicator or instrument, as shown and described.

(22) Filed: **Feb. 14, 2020**

**DESCRIPTION**

(30) **Foreign Application Priority Data**

Aug. 16, 2019 (EM) ..... 006731261

Cross reference is made to copending U.S. design patent application Ser. No. 29/724,414 entitled “Mount for an Indicator or Instrument” by Daniel Doerr, which was filed on even date herewith; and to copending U.S. design patent application Ser. No. 29/724,415 entitled “Mount for an Indicator or Instrument” by Daniel Doerr, which was filed on even date herewith.

(51) **LOC (13) Cl.** ..... **24-02**

(52) **U.S. Cl.**  
USPC ..... **D24/128; D14/238**

(58) **Field of Classification Search**  
USPC ..... D24/128; D13/107; D14/434, 371, 238,  
D14/217, 224, 251–253, 440, 447, 451,  
D14/452; D12/415; D10/98  
See application file for complete search history.

FIG. 1 is a perspective view of a mount for an indicator or instrument showing my new design;

FIG. 2 is a right side elevational view of the mount for an indicator or instrument of FIG. 1;

FIG. 3 is a left side elevational view of the mount for an indicator or instrument of FIG. 1;

FIG. 4 is a top plan view of the mount for an indicator or instrument of FIG. 1;

FIG. 5 is a bottom plan view of the mount for an indicator or instrument of FIG. 1;

FIG. 6 is a front side elevational view of the mount for an indicator or instrument of FIG. 1; and,

FIG. 7 is a rear side elevational view of the mount for an indicator or instrument of FIG. 1.

The broken lines shown in the drawings illustrate portions of the mount for an indicator or instrument that form no part of the claimed design.

(56) **References Cited**

**U.S. PATENT DOCUMENTS**

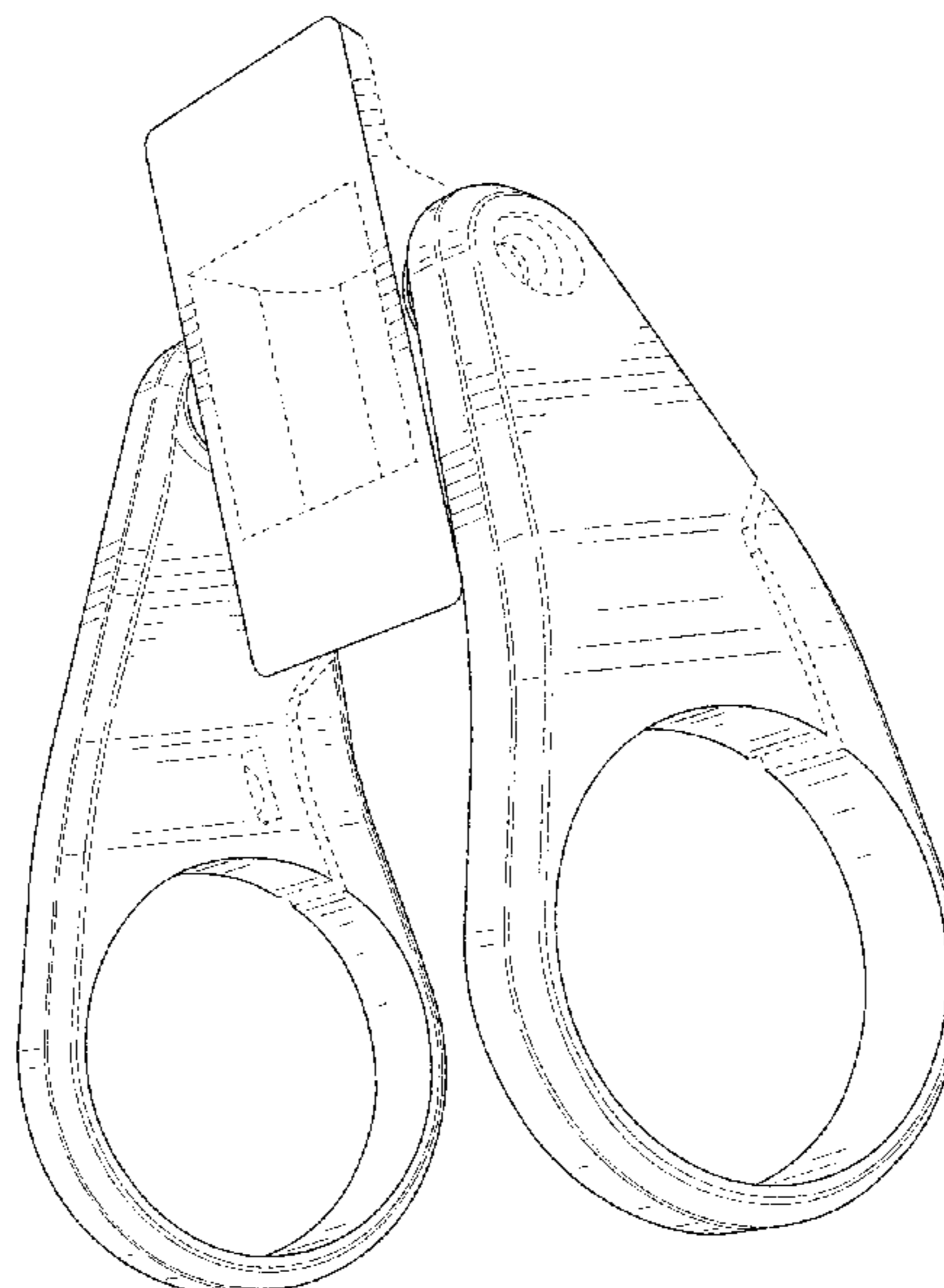
D471,907 S \* 3/2003 Peiker ..... D14/253  
D523,008 S \* 6/2006 Lodato ..... D14/253  
D609,030 S \* 2/2010 Barabas ..... D14/238  
D676,371 S \* 2/2013 Son ..... D12/415  
D749,549 S \* 2/2016 Wengreen ..... D14/238.1  
D796,735 S \* 9/2017 Foleghi ..... D27/107

(Continued)

**OTHER PUBLICATIONS**

2020 KTM Kiox Display Holder, first available Oct. 24, 2020, FLI Distribution [online], site visited Jul. 9, 2021, Available from

**1 Claim, 6 Drawing Sheets**



(56)

**References Cited**

U.S. PATENT DOCUMENTS

D807,896 S *	1/2018	Cai	.....	D14/452
D844,622 S *	4/2019	Collins	.....	D14/447
D845,306 S *	4/2019	Lee	.....	D14/447
D858,490 S *	9/2019	Qi	.....	D14/224
D873,814 S *	1/2020	Yang	.....	D14/253
D877,637 S *	3/2020	Haag	.....	D10/98
D885,222 S *	5/2020	Haag	.....	D10/98
D912,555 S *	3/2021	Vetter	.....	D10/98
D915,949 S *	4/2021	Mendez	.....	D12/114
D920,339 S *	5/2021	Kaji	.....	D14/447
2012/0223196 A1 *	9/2012	Musselman	.....	B60R 11/02 248/220.21
2013/0048811 A1 *	2/2013	Tseng	.....	F16M 13/02 248/220.21

OTHER PUBLICATIONS

Bosch Nyon Display 2020 / 2021—GEN.2—E-Bike On-Board Computer Retrofit Set, first available in 2020, Ebike24.com [online], site visited Jul. 9, 2021, Available on the internet at URL: <https://www.ebike24.com/bosch-nyon-display-2020-2021> (Year: 2020).\*

\* cited by examiner

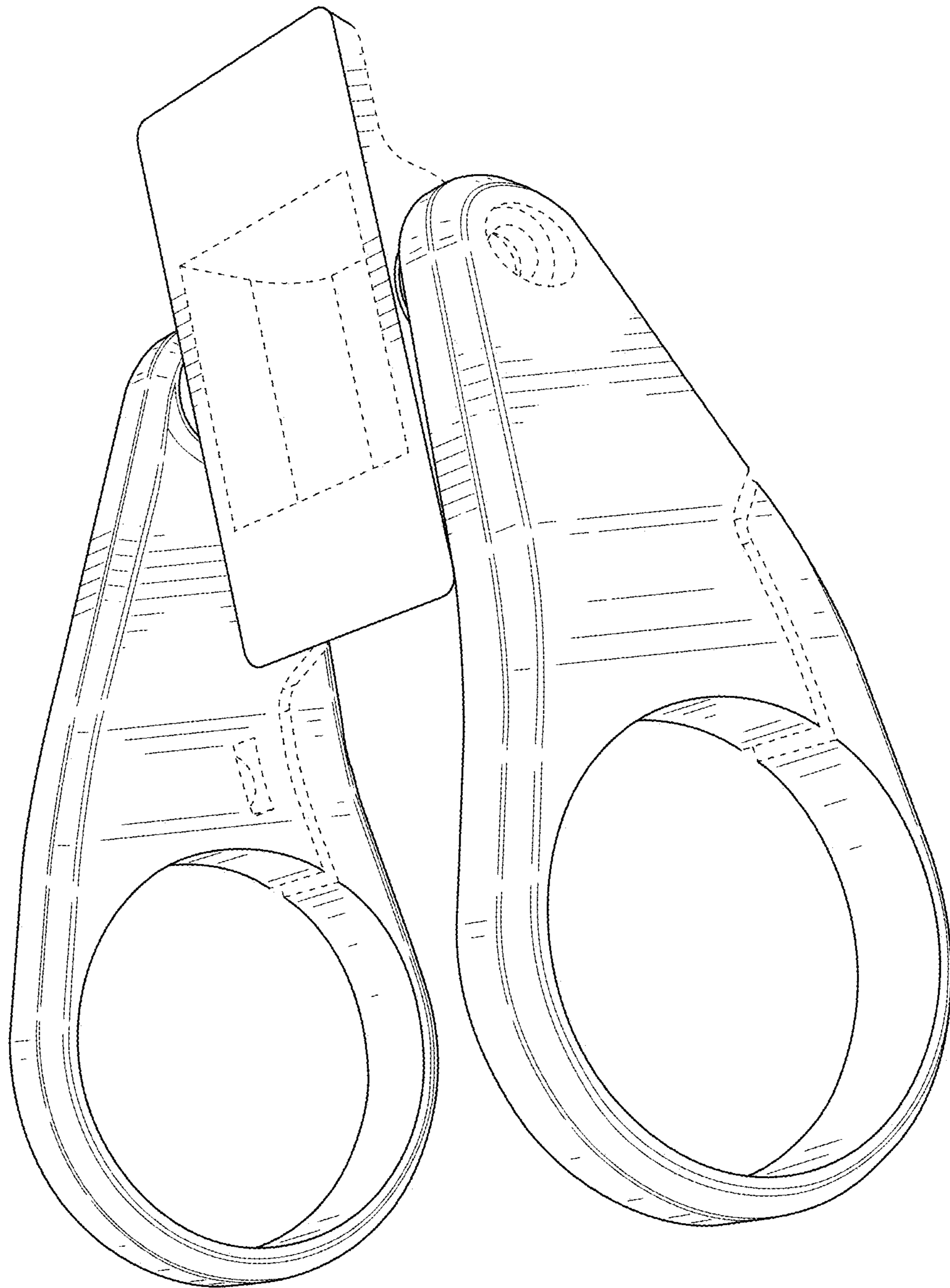


FIG. 1

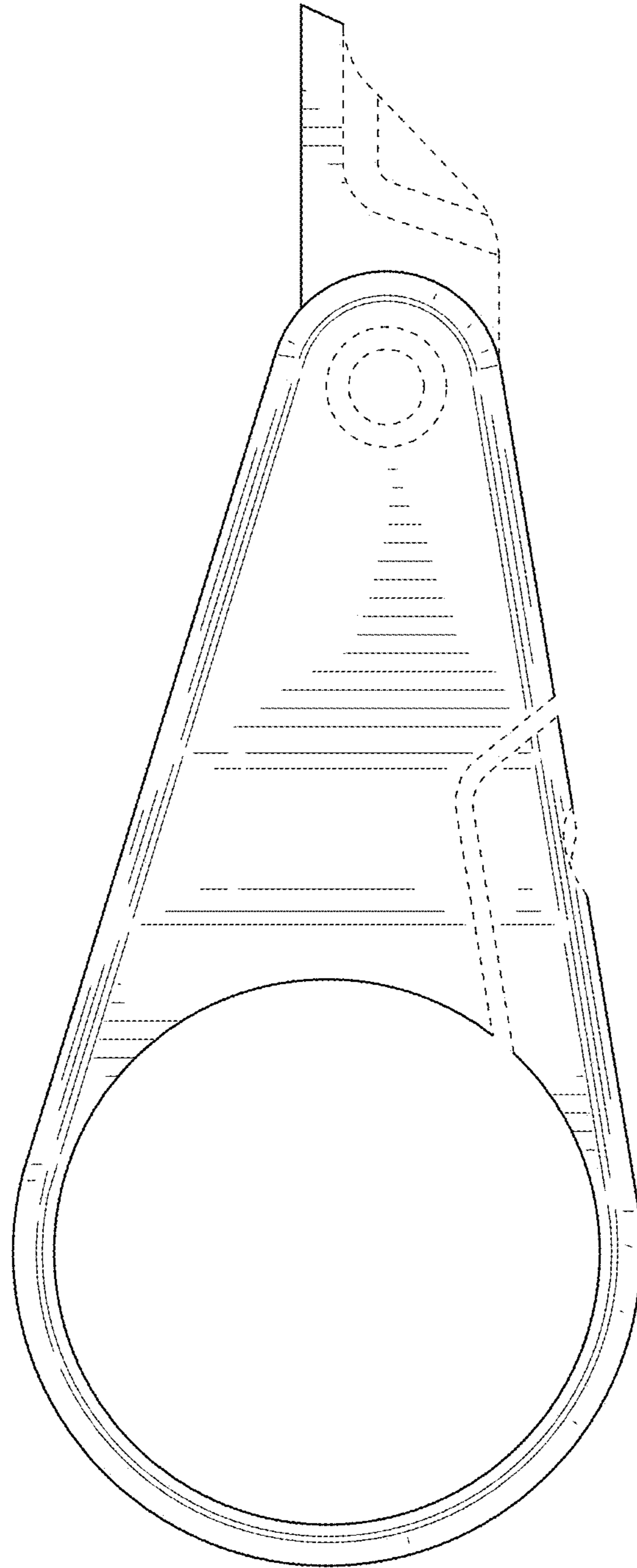


FIG. 2

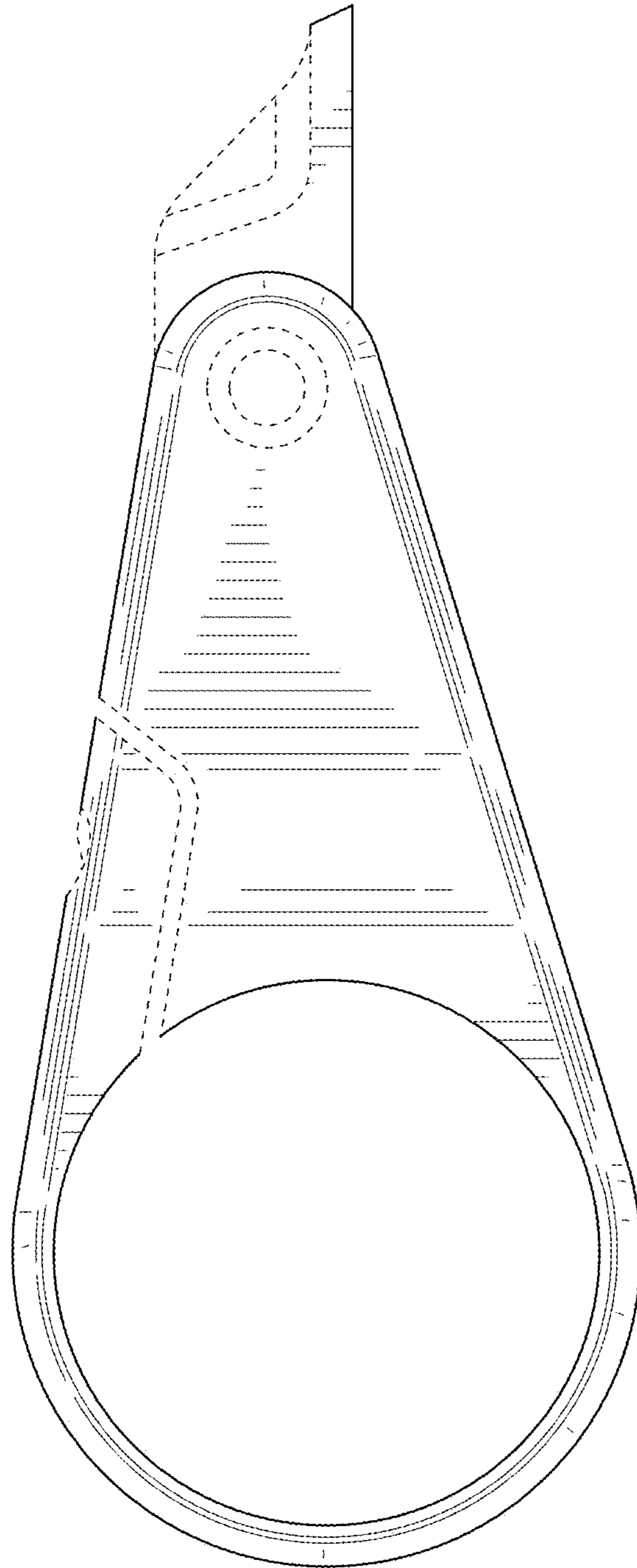


FIG. 3



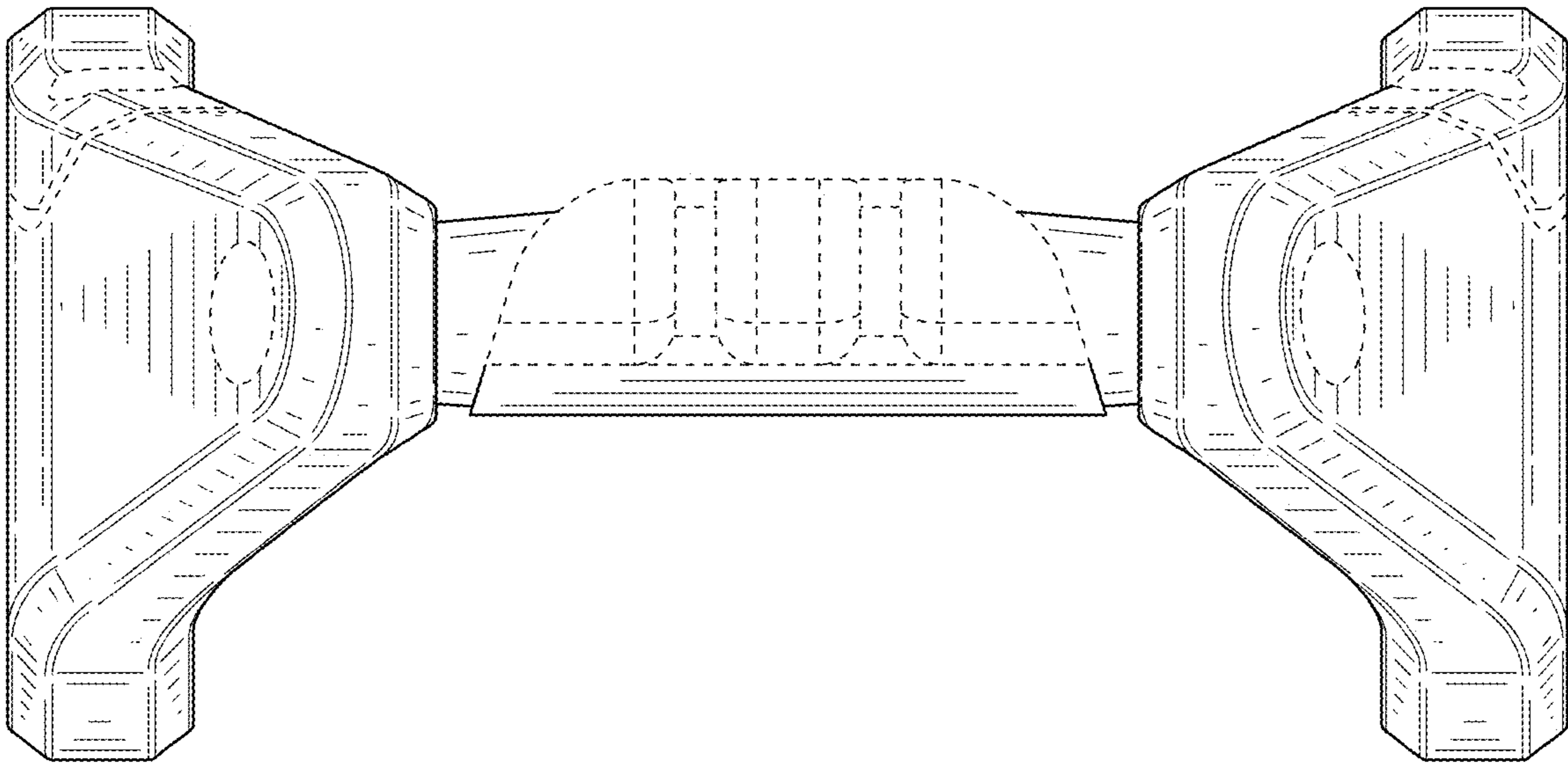


FIG. 4

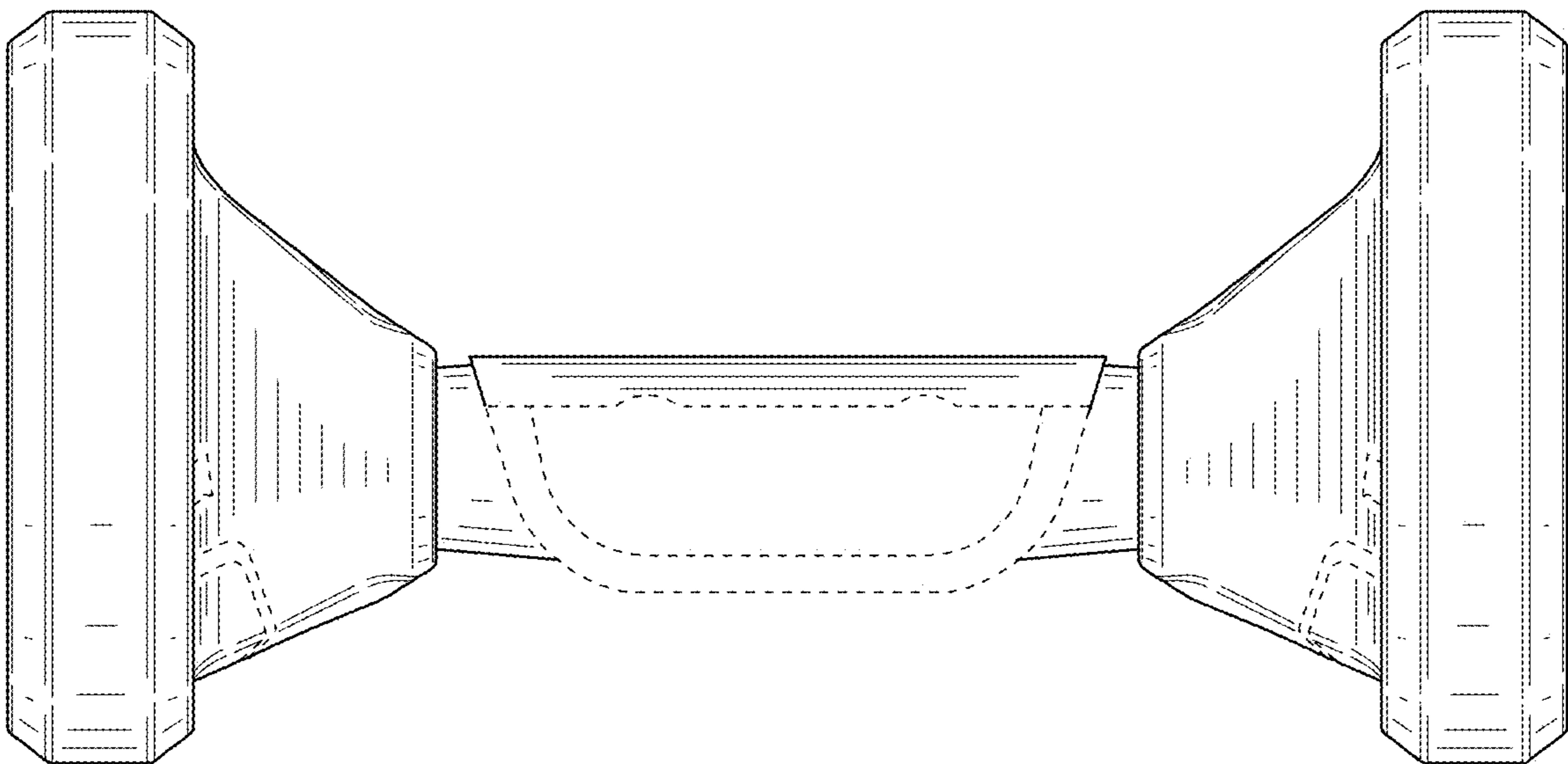


FIG. 5

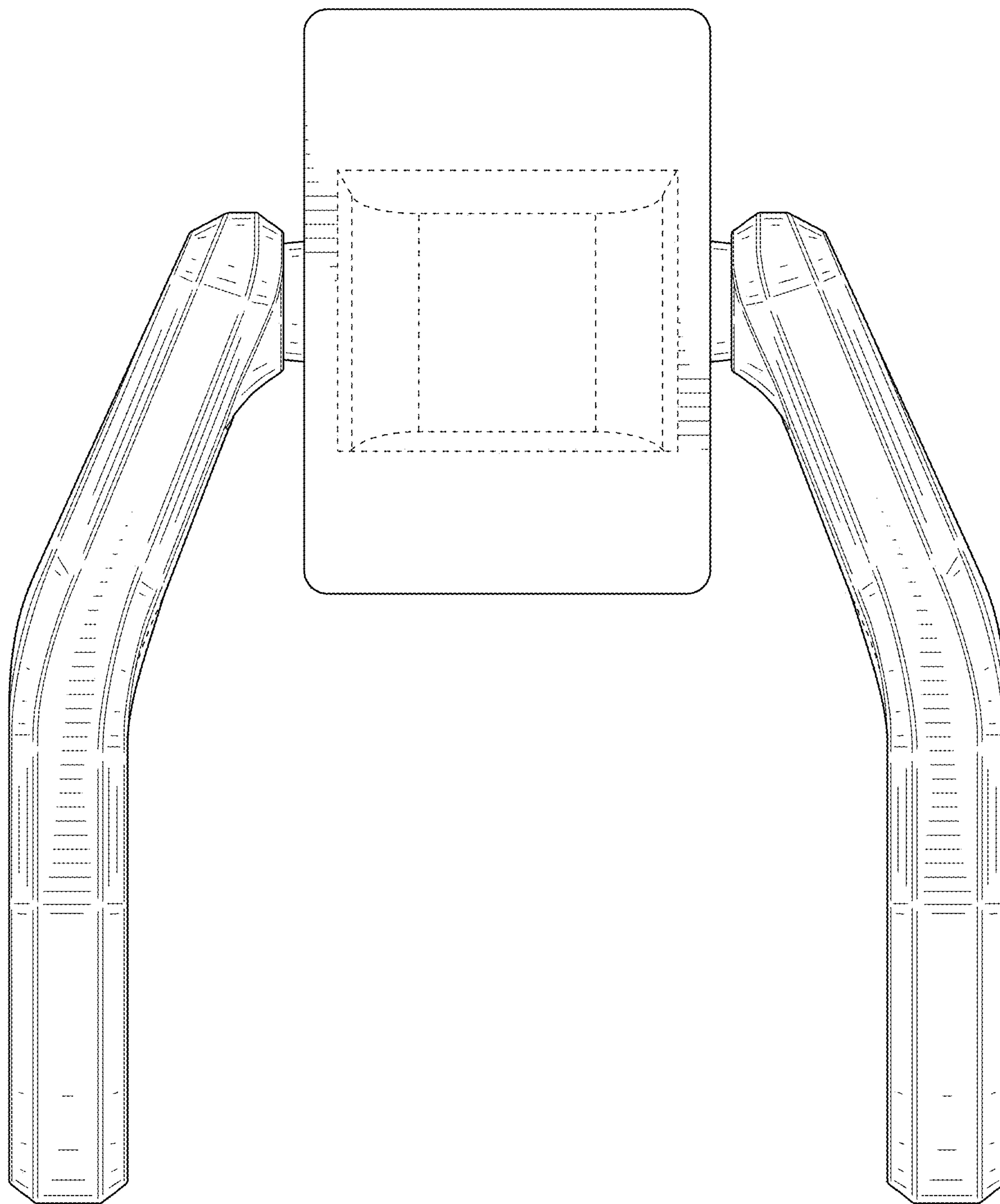


FIG. 6

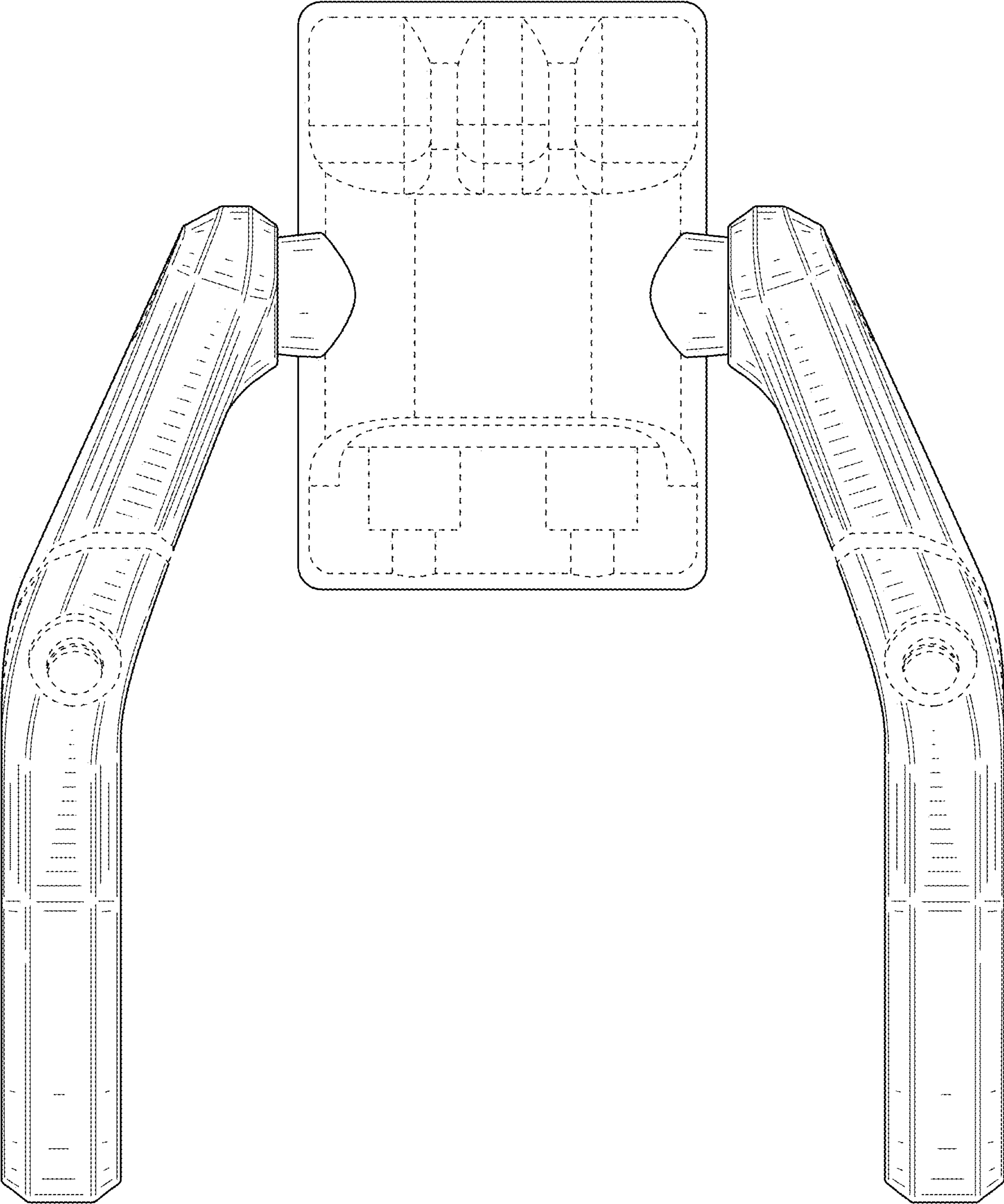


FIG. 7