



US00D942617S

(12) **United States Design Patent** (10) **Patent No.:** **US D942,617 S**  
**Smith** (45) **Date of Patent:** **\*\* Feb. 1, 2022**

(54) **DENTAL SUCTION ATTACHMENT**  
(71) Applicant: **Mark George Smith**, Omaha, NE (US)  
(72) Inventor: **Mark George Smith**, Omaha, NE (US)  
(\*\*) Term: **15 Years**  
(21) Appl. No.: **29/719,842**  
(22) Filed: **Jan. 8, 2020**  
(51) **LOC (13) Cl.** ..... **24-02**  
(52) **U.S. Cl.**  
USPC ..... **D24/112**  
(58) **Field of Classification Search**  
USPC ..... D24/112–114, 108, 130, 127, 133, 186;  
606/181, 185; 604/264, 523–528, 272,  
604/164.01–164.11, 187, 93.01; 600/101,  
600/139, 143; 128/200.24, 207.14,  
128/207.15  
CPC .. A61M 25/065; A61M 5/42; A61M 25/0612;  
A61M 25/00; A61M 39/00; A61M 27/00;  
A61M 25/0043; A61M 25/0067; A61M  
25/0097; A61F 2/958  
See application file for complete search history.

7,238,023 B1 \* 7/2007 Enos ..... A61C 17/08  
433/91  
D576,275 S 9/2008 White et al.  
D578,642 S 10/2008 White et al.  
D603,113 S 10/2009 Morton  
D631,544 S \* 1/2011 Kraft ..... D24/130  
D632,387 S \* 2/2011 Sidhu ..... A61C 17/08  
D24/112  
D632,996 S 2/2011 Correia  
D632,997 S 2/2011 Correia  
D655,812 S 3/2012 Ramini et al.  
D659,824 S 5/2012 Kwok  
D663,831 S 7/2012 Sidhu et al.  
D683,448 S 5/2013 Sidhu et al.  
(Continued)

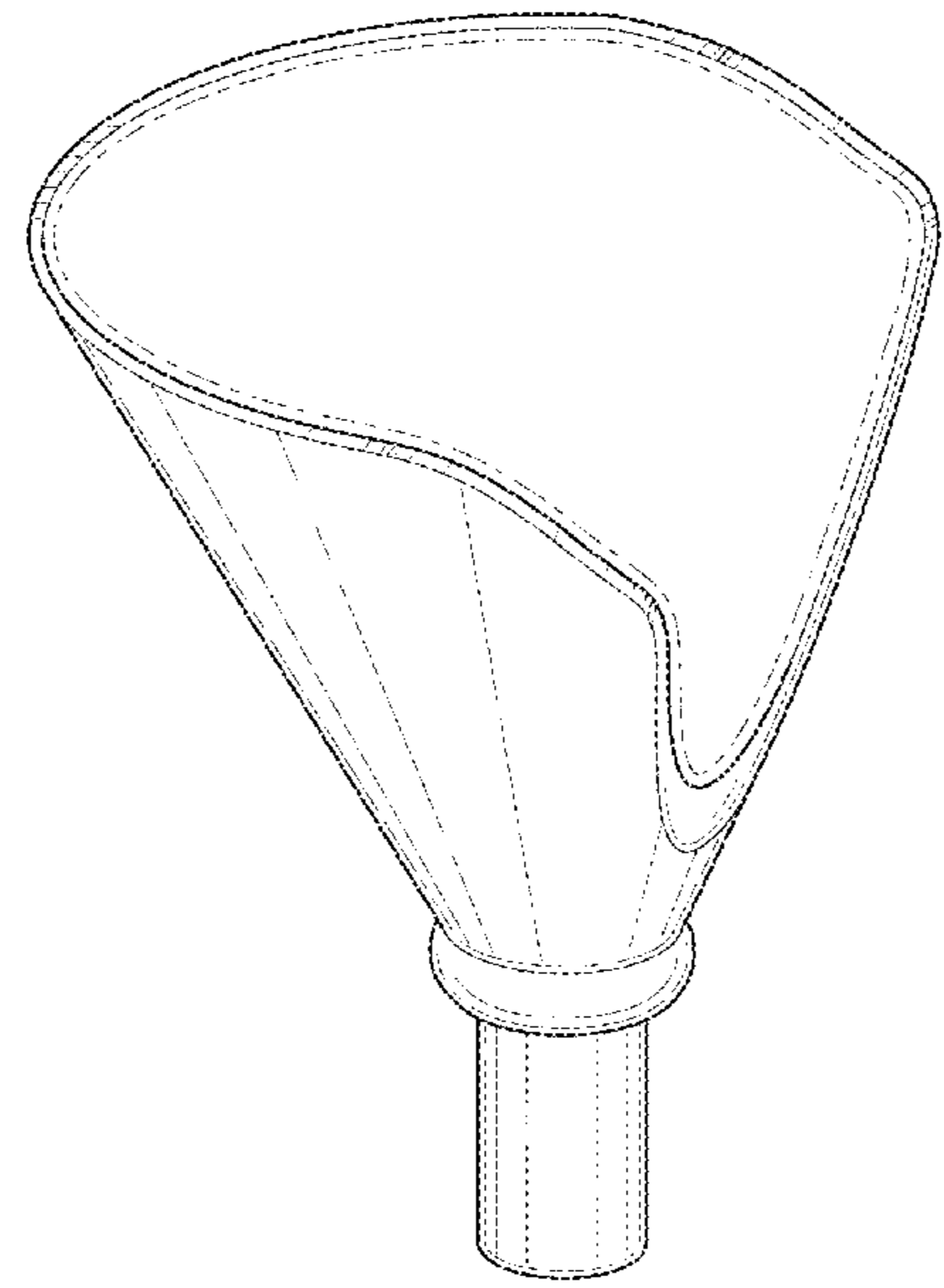
*Primary Examiner* — David G Muller  
(74) *Attorney, Agent, or Firm* — Dunlap Bennett & Ludwig, PLLC; Brendan E. Squire

(57) **CLAIM**  
The ornamental design for a dental suction attachment, as shown and described.

**DESCRIPTION**  
FIG. 1 is a perspective view of the dental suction attachment, showing my new design;  
FIG. 2 is a front elevation view thereof;  
FIG. 3 is a back elevation view thereof;  
FIG. 4 is a left side elevation view thereof;  
FIG. 5 is a right side elevation view thereof;  
FIG. 6 is a top plan view thereof;  
FIG. 7 is a bottom plan view thereof; and,  
FIG. 8 is an exploded perspective view thereof.  
The dash dot lines immediately adjacent to the claimed areas in the views represent the boundaries of the claimed design. The dash dot line in FIG. 8 shows the exploded disc feature. The dashed lines in the figures illustrate the portions of the design that form no part of the claimed design. None of the broken lines form any part of the claimed design.

(56) **References Cited**  
U.S. PATENT DOCUMENTS  
D257,526 S 11/1980 Herbst et al.  
4,265,621 A \* 5/1981 McVey ..... A61C 17/08  
433/91  
D270,183 S 8/1983 Govenius  
D303,835 S 10/1989 Barclay  
4,880,413 A 11/1989 Giuffre et al.  
D306,905 S 3/1990 Barclay  
D312,872 S \* 12/1990 Mahl ..... D24/112  
D320,075 S 9/1991 Berlin  
D344,336 S 2/1994 Orsing  
6,146,136 A \* 11/2000 Tenniswood ..... A61C 17/135  
433/92  
D541,933 S 5/2007 White et al.

**1 Claim, 6 Drawing Sheets**



(56)

**References Cited**

U.S. PATENT DOCUMENTS

D683,449 S *	5/2013	Sidhu .....	D24/112
D692,143 S *	10/2013	shahidi bonjar .....	D24/176
D749,725 S *	2/2016	Sauer .....	D24/133
D779,063 S	2/2017	Chu	
D796,044 S	8/2017	Chu	
9,888,989 B2	2/2018	Ishizaki et al.	
D815,928 S *	4/2018	Rummel .....	D7/700
D846,346 S *	4/2019	Nakatsuka .....	D7/400
D849,247 S *	5/2019	Wild .....	D24/151
D884,159 S *	5/2020	Moon .....	D24/112

\* cited by examiner

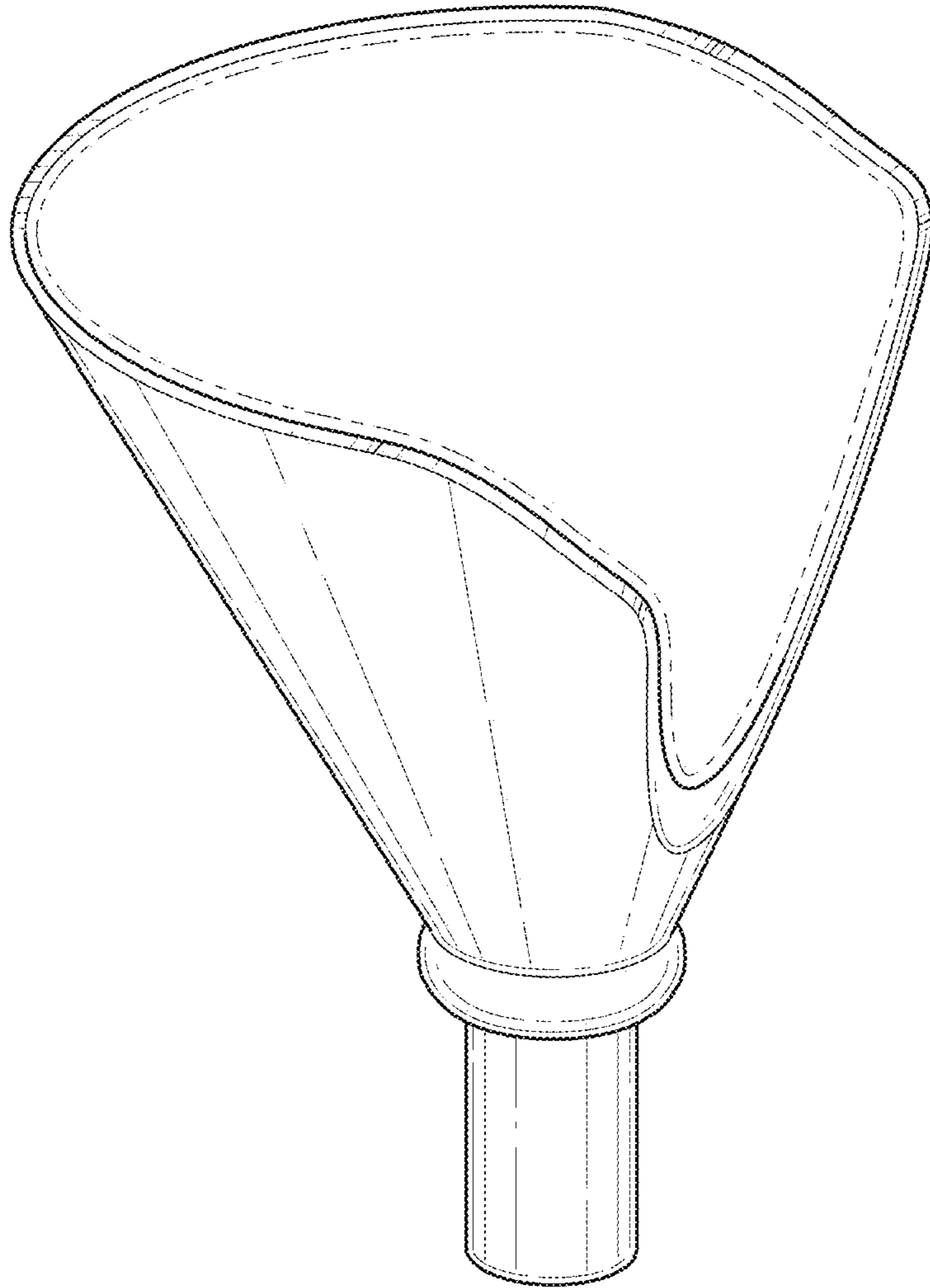


FIG. 1

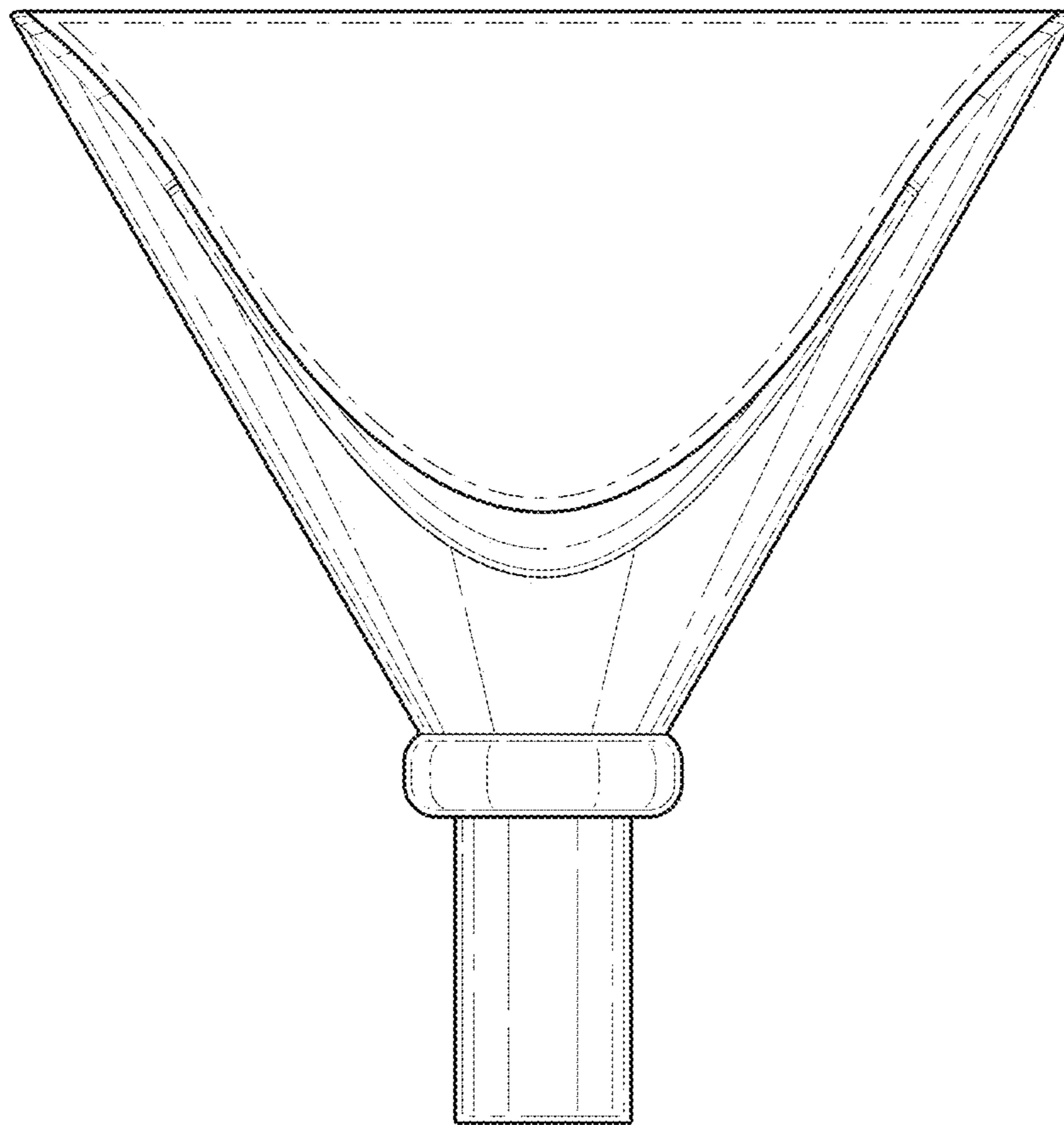
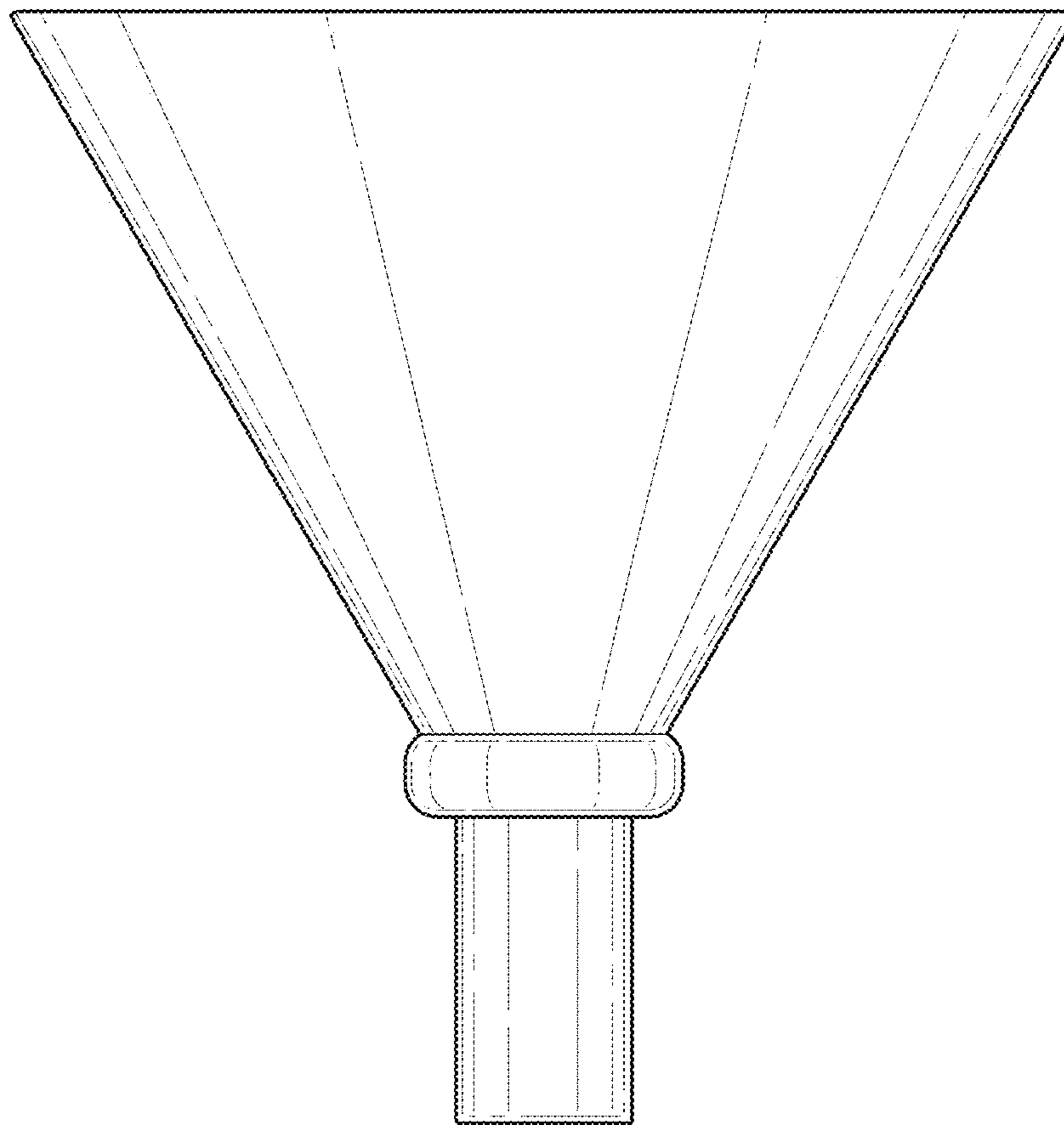


FIG. 2



**FIG. 3**

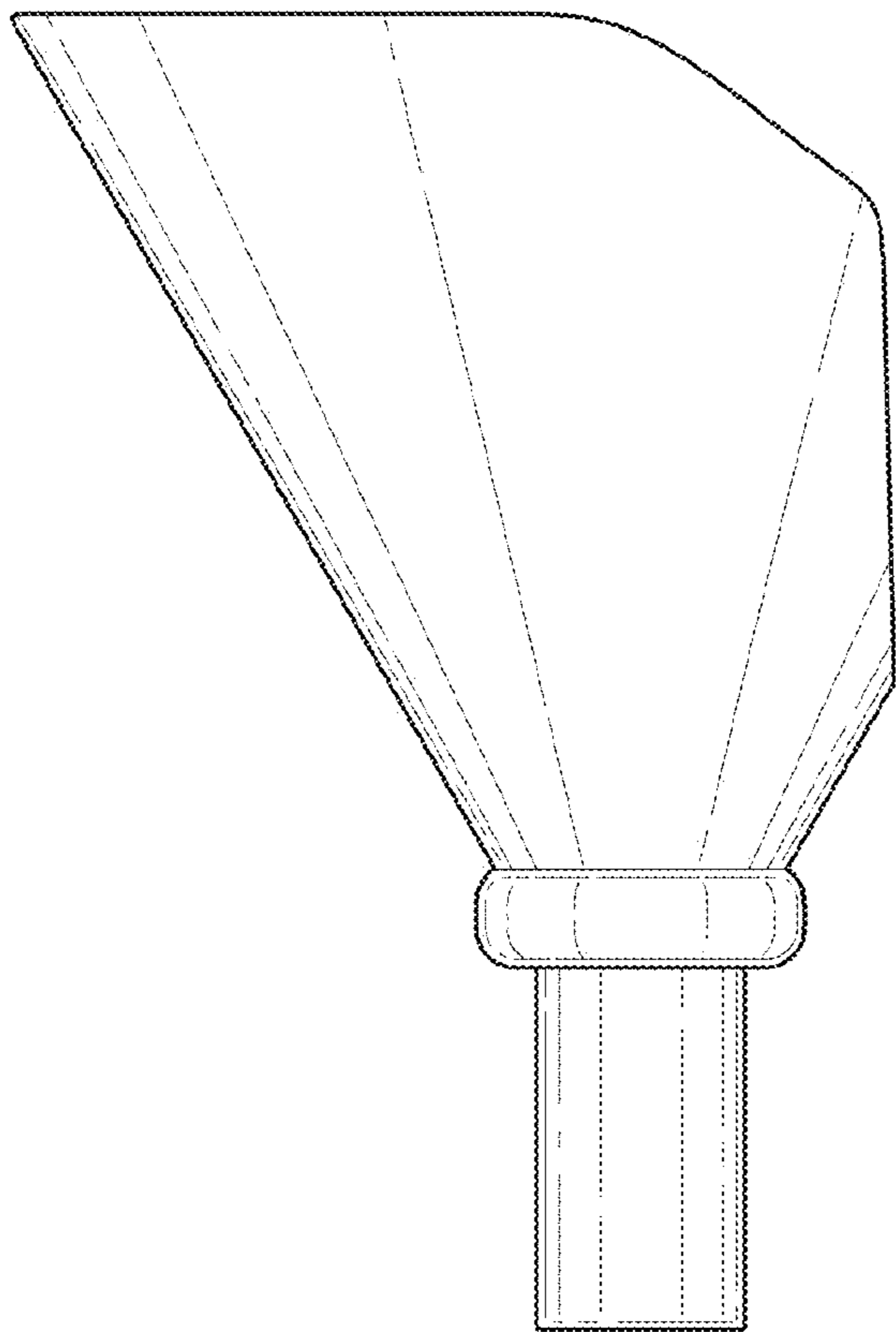


FIG. 4

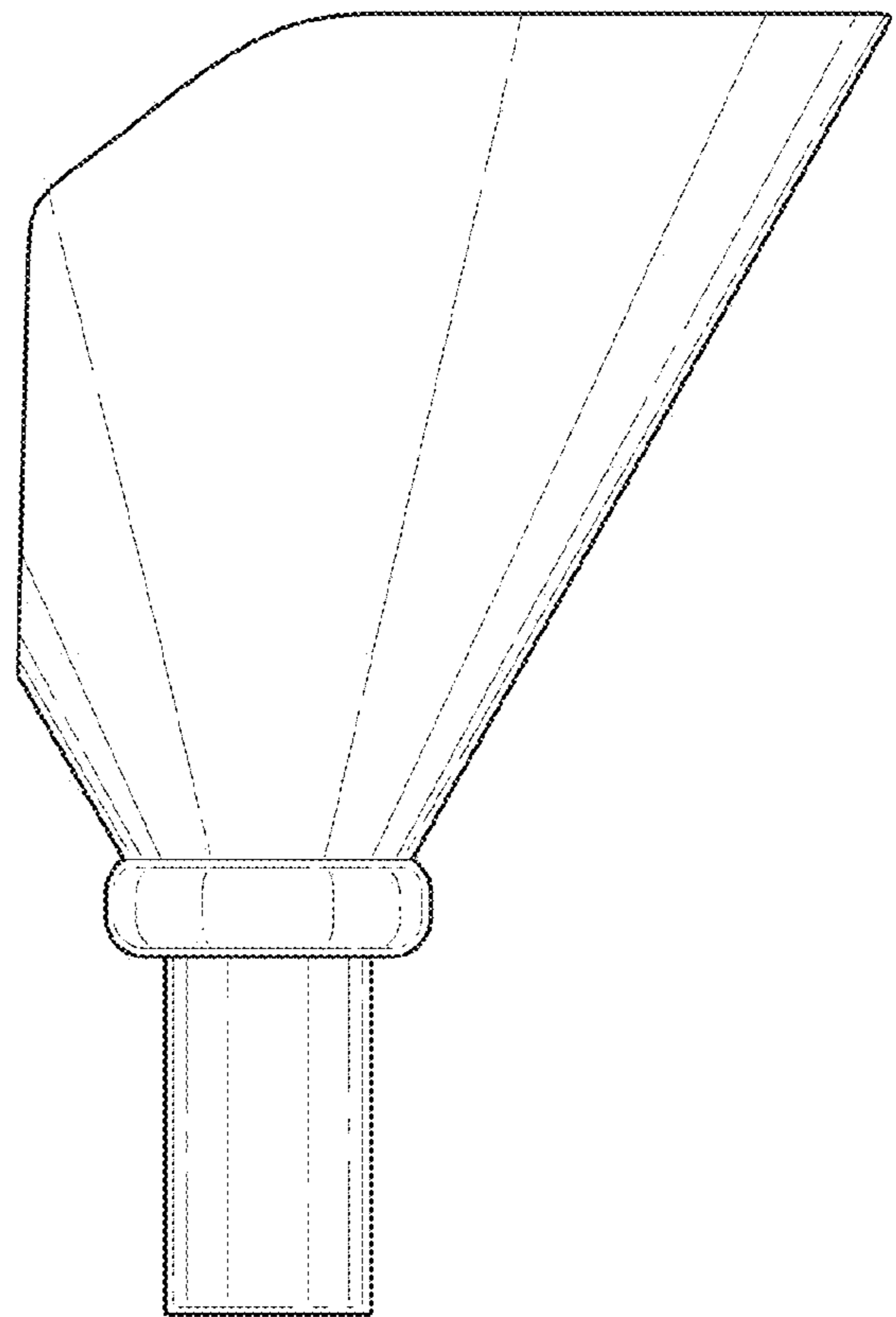


FIG. 5

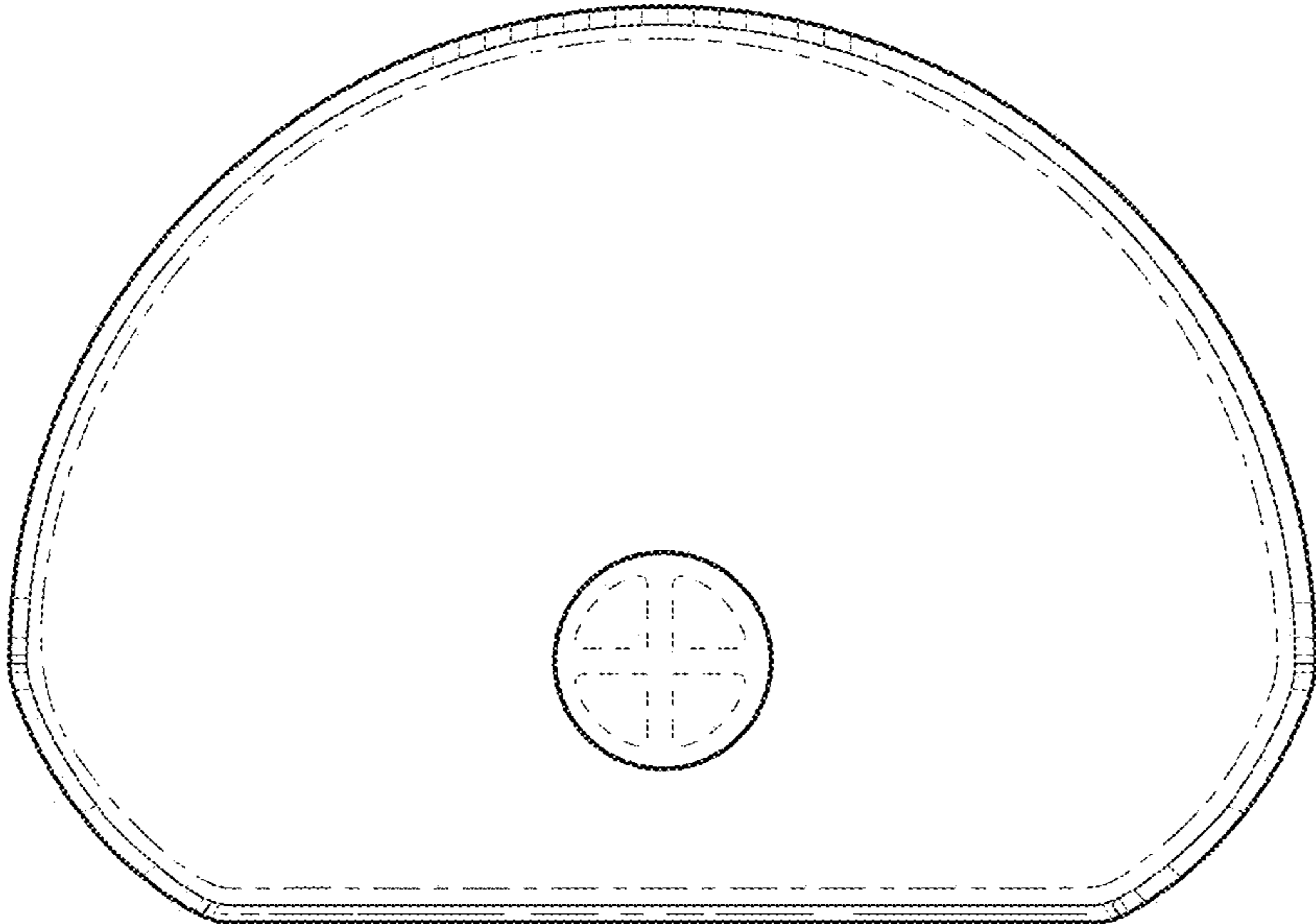


FIG. 6

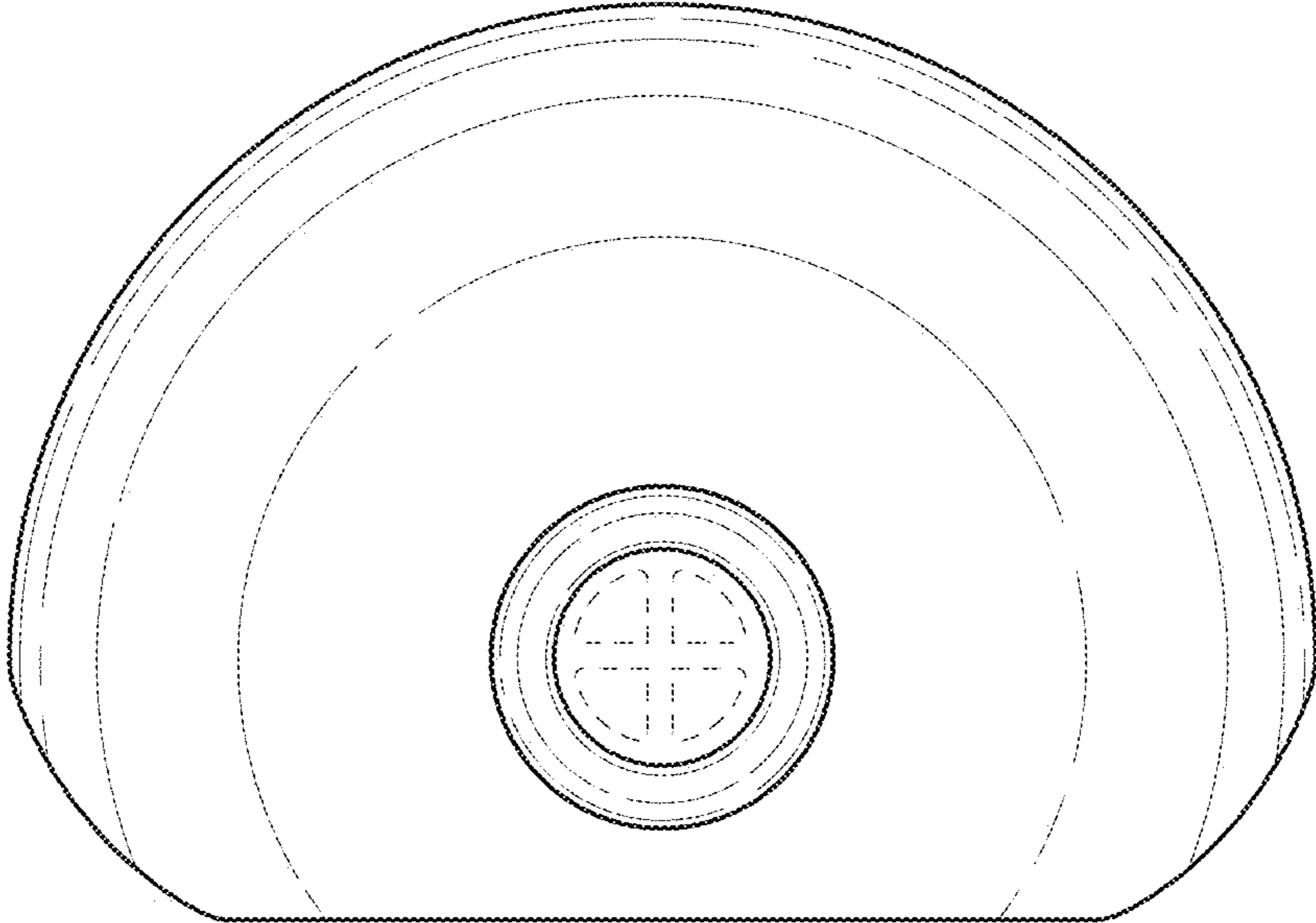
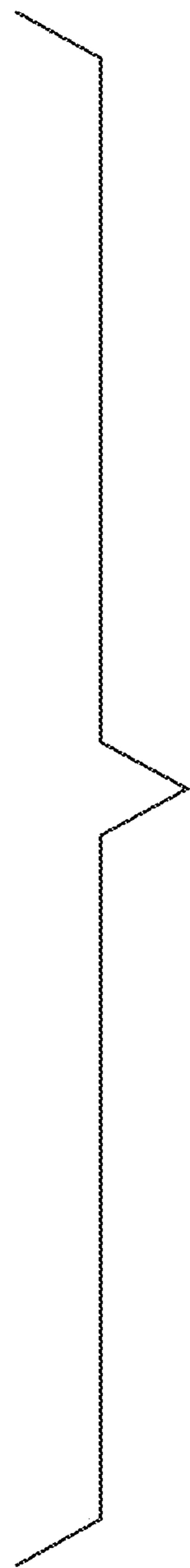
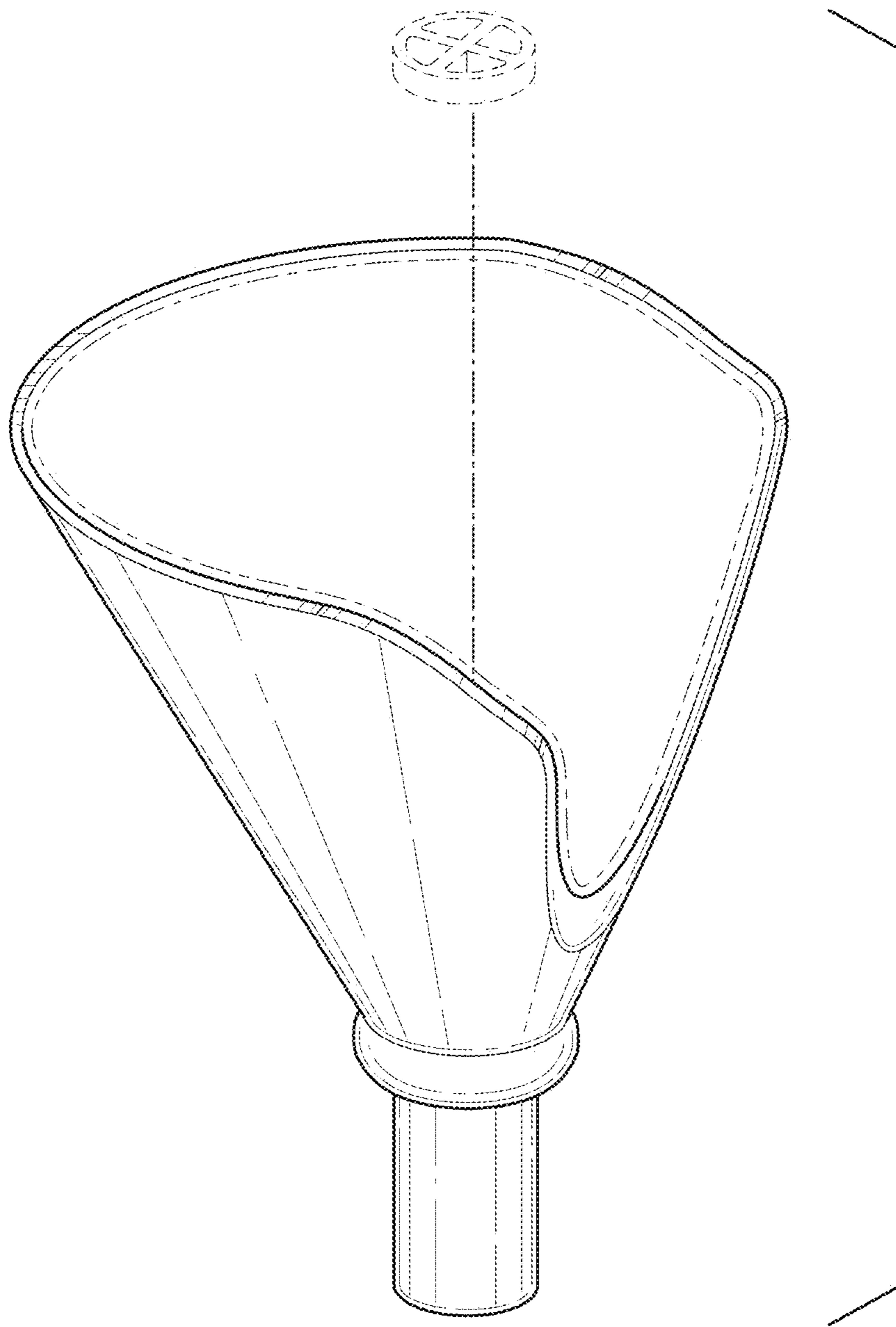


FIG. 7



**FIG. 8**