



US00D942616S

(12) **United States Design Patent**
Dantanarayana et al.

(10) **Patent No.:** **US D942,616 S**
(45) **Date of Patent:** **** Feb. 1, 2022**

(54) **VENT UNIT FOR AIR DELIVERY ADAPTER FOR RESPIRATORY MASK**

(71) Applicant: **ResMed Pty Ltd**, Bella Vista (AU)

(72) Inventors: **Muditha Pradeep Dantanarayana**, Sydney (AU); **Charles Harry Finch**, Sydney (AU); **Chia Ik Tan**, Sydney (AU); **Stewart Joseph Wagner**, Hawkesbury (AU)

(73) Assignee: **ResMed Pty Ltd**, Bella Vista (AU)

(**) Term: **15 Years**

(21) Appl. No.: **29/753,262**

(22) Filed: **Sep. 30, 2020**

Related U.S. Application Data

(62) Division of application No. 29/721,597, filed on Jan. 22, 2020, now Pat. No. Des. 929,571, which is a (Continued)

(51) **LOC (13) Cl.** **29-02**

(52) **U.S. Cl.**
USPC **D24/110.4**

(58) **Field of Classification Search**
USPC D24/110-110.6, 127, 129; D29/110 (Continued)

(56) **References Cited**

U.S. PATENT DOCUMENTS

D485,905 S * 1/2004 Moore D24/110.1
D600,343 S 9/2009 Degabriele
(Continued)

OTHER PUBLICATIONS

ResMed AirMini Mask Connector for AirFit N20 Nasal CPAP Mask, posted at cpapdirect.com, earliest date posted Aug. 15, 2020,

[online], acquired on Sep. 22, 2021, Available on internet. Url:https://www.cpapdirect.com/masks/resmed-airmini-mask-connector-for-airfit-n20-nasal-cpap-mask (Year: 2020).*

(Continued)

Primary Examiner — Sheryl Lane

Assistant Examiner — Aula Soroush

(74) *Attorney, Agent, or Firm* — Nixon & Vanderhye P.C.

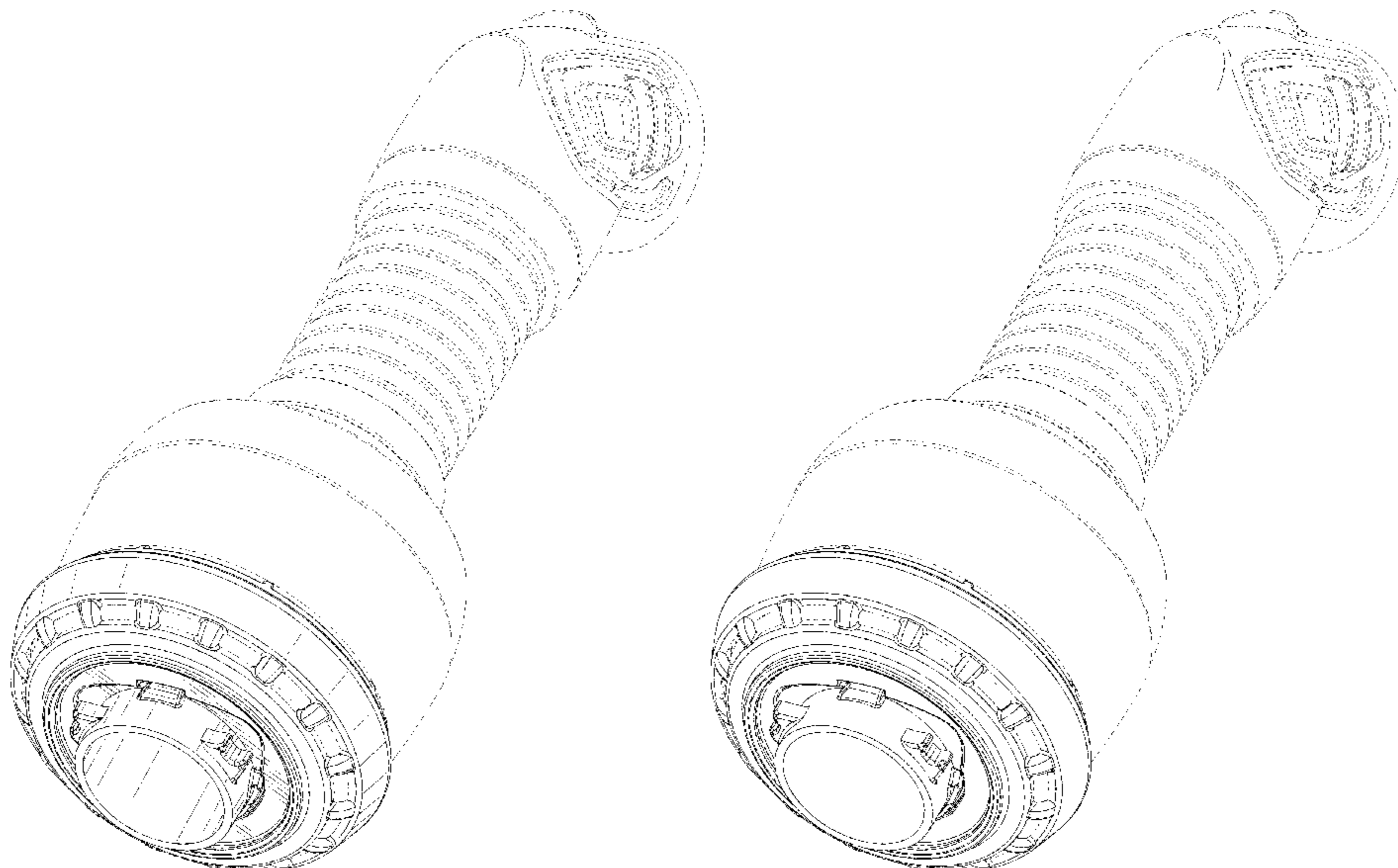
(57) **CLAIM**

The ornamental design for a vent unit for air delivery adapter for respiratory mask, as shown and described.

DESCRIPTION

FIG. 1 is a front perspective view of a vent unit for air delivery adapter for respiratory mask showing a first embodiment of our new design; FIG. 2 is a front view thereof; FIG. 3 is a rear view thereof; FIG. 4 is a top view thereof; FIG. 5 is a bottom view thereof; FIG. 6 is a left side view thereof; FIG. 7 is a right side view thereof; FIG. 8 is a rear perspective view thereof; FIG. 9 is a front perspective view of a vent unit for air delivery adapter for respiratory mask showing a second embodiment of our new design; FIG. 10 is a front view thereof; FIG. 11 is a rear view thereof; FIG. 12 is a top view thereof; FIG. 13 is a bottom view thereof; FIG. 14 is a left side view thereof; FIG. 15 is a right side view thereof; and, FIG. 16 is a rear perspective view thereof. The broken lines illustrate portions of the vent unit for air delivery adapter for respiratory mask that form no part of the claimed design.

1 Claim, 16 Drawing Sheets



Related U.S. Application Data

division of application No. 29/666,287, filed on Oct. 11, 2018, now Pat. No. Des. 875,243, which is a division of application No. 29/585,937, filed on Nov. 30, 2016, now Pat. No. Des. 863,545.

(58) **Field of Classification Search**

CPC A61M 16/0616; A61M 16/0633; A61M 16/06; A61M 16/0666; A61M 16/0683; A61M 16/0605; A61M 16/0622; A61M 16/0644; A61M 16/0875; A61M 16/0816; A61M 16/08; B63C 11/205; B63C 11/16; B63C 11/186; B63C 11/12

See application file for complete search history.

(56) **References Cited**

U.S. PATENT DOCUMENTS

D612,481 S	3/2010	Reid	
D637,283 S	5/2011	Selvarajan	
D645,961 S	9/2011	Biener	
D652,913 S	1/2012	Selvarajan	
D659,237 S *	5/2012	Lubke	D24/110.1
8,397,727 B2	3/2013	Ng	
D681,191 S	4/2013	Shick	
D689,602 S	9/2013	Amirav	
D691,713 S	10/2013	Fahy	
D692,121 S	10/2013	Fahy	
D692,554 S *	10/2013	Siew	D24/110.1
8,573,201 B2	11/2013	Rummery	
D714,434 S	9/2014	Fahy	
D737,953 S *	9/2015	Wells	D24/110
D770,036 S *	10/2016	Walls	D24/110.4
D785,161 S	4/2017	Dravitzki	
D790,054 S	6/2017	Prentice	
9,821,134 B2	11/2017	Drew	
D808,008 S	1/2018	Burnham	
D863,545 S	10/2019	Dantanarayana et al.	
D865,158 S	10/2019	Khera	
D875,243 S *	2/2020	Dantanarayana	D24/110.4

2002/0023650 A1	2/2002	Gunaratnam	
2003/0196662 A1	10/2003	Ging	
2004/0221850 A1	11/2004	Ging	
2007/0181130 A1	8/2007	Worley	
2010/0116272 A1	5/2010	Row	
2010/0313891 A1 *	12/2010	Veliss	A61M 16/06 128/206.26
2011/0146685 A1 *	6/2011	Allan	A61M 16/06 128/205.25
2012/0067349 A1 *	3/2012	Barlow	A61M 16/06 128/205.25
2012/0090622 A1 *	4/2012	Chang	A61M 16/0666 128/207.18
2012/0227738 A1	9/2012	Virr	
2013/0324788 A1	12/2013	Holley	
2014/0000614 A1 *	1/2014	Chang	A61M 16/0666 128/205.25
2014/0283843 A1 *	9/2014	Eves	A61M 11/00 128/206.24
2015/0151071 A1 *	6/2015	Von Moger	A61M 39/1055 128/202.27
2016/0051784 A1 *	2/2016	Eury	A61M 16/0666 128/207.18
2016/0074614 A1 *	3/2016	Huddart	A61M 16/0683 128/204.18
2016/0082217 A1 *	3/2016	McLaren	A61M 16/0666 128/207.11
2016/0151596 A1 *	6/2016	Slight	A61M 16/0622 128/207.18
2016/0213878 A1	7/2016	Browning, Jr.	
2016/0287830 A1 *	10/2016	Walls	A61M 16/0683
2017/0100556 A1	4/2017	Munkelt	
2018/0001047 A1	1/2018	McAuley	

OTHER PUBLICATIONS

Dantanarayana et al., U.S. Appl. No. 29/721,597, filed Jan. 22, 2020 for "Air Delivery Adapter for Respiratory Mask and/or Components Thereof," (parent application).

* cited by examiner

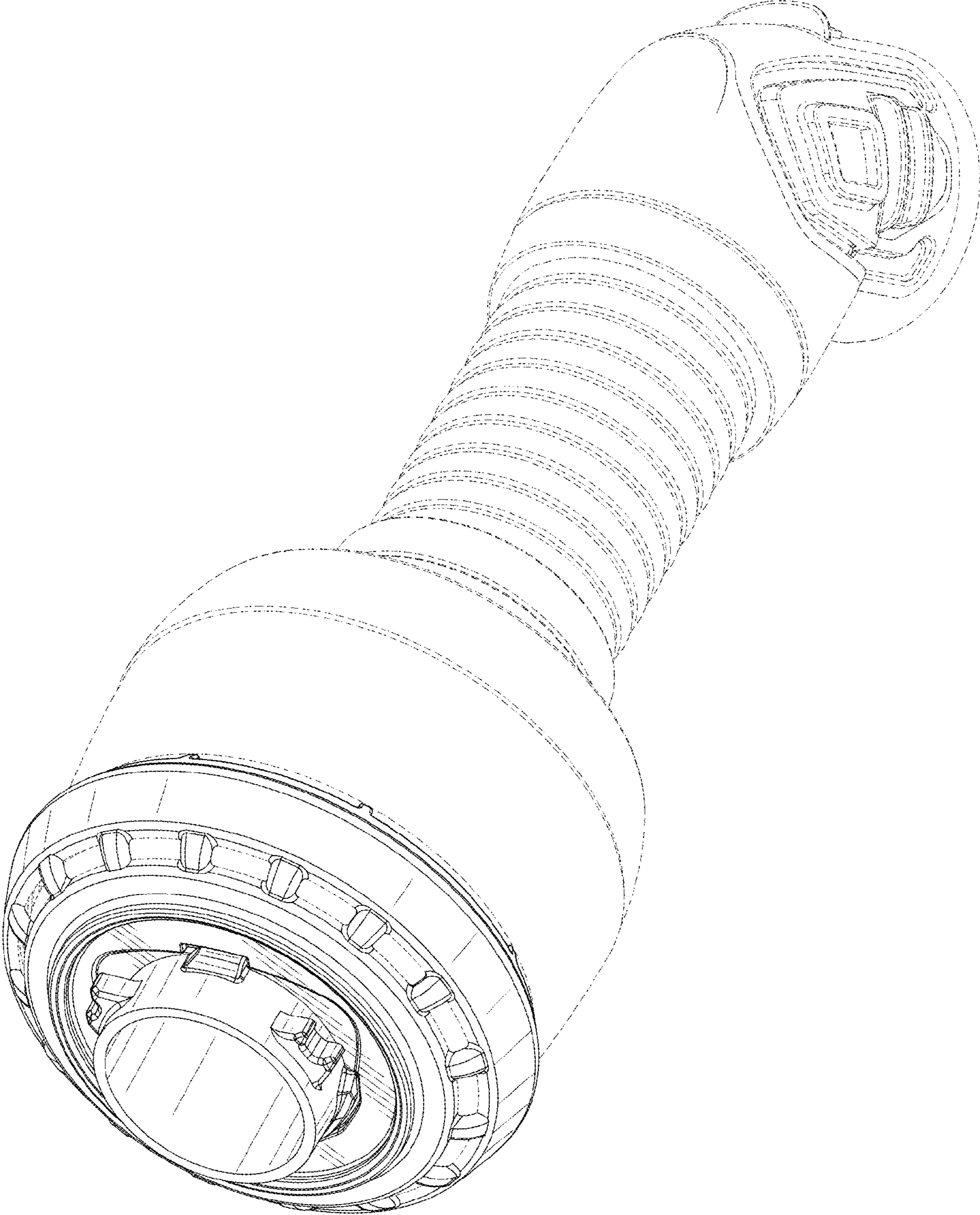


FIG. 1

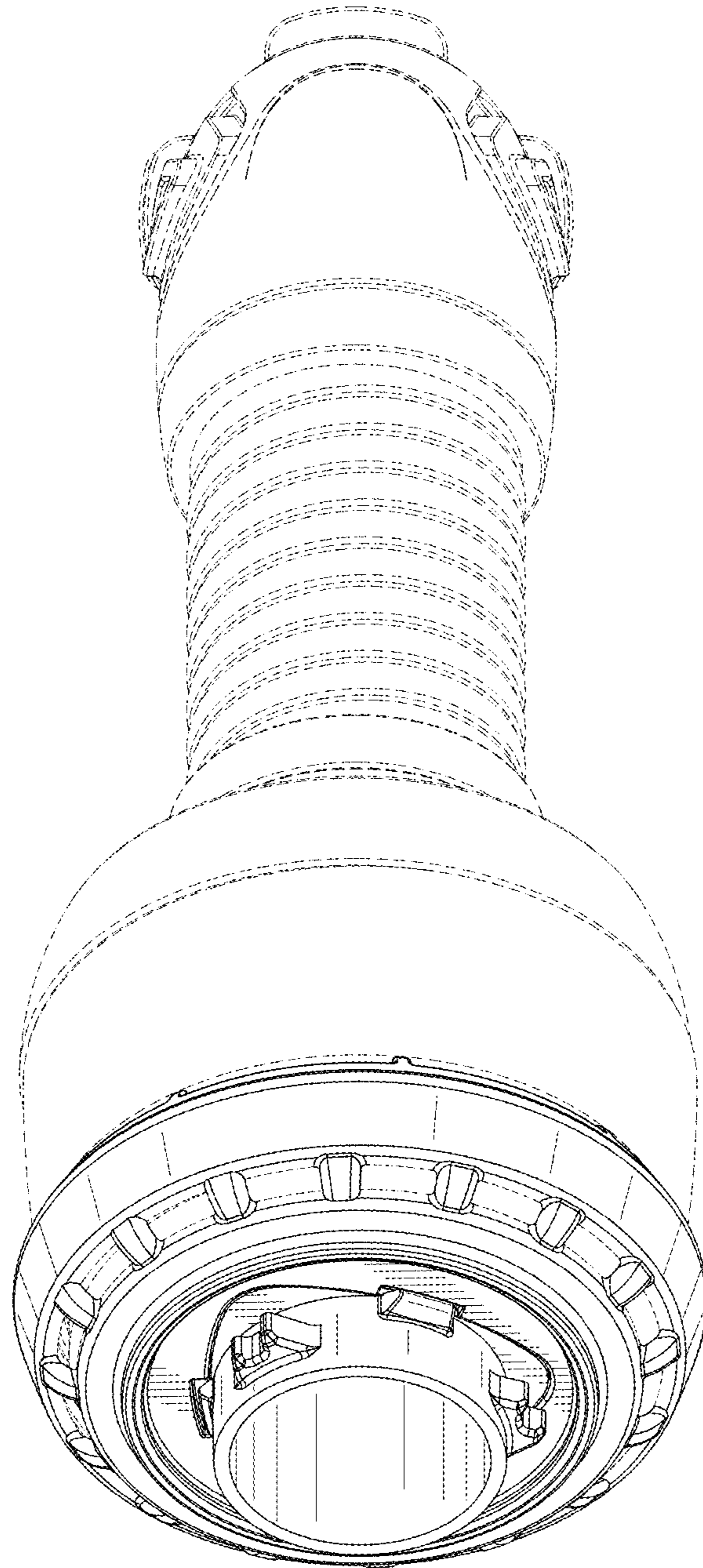


FIG. 2

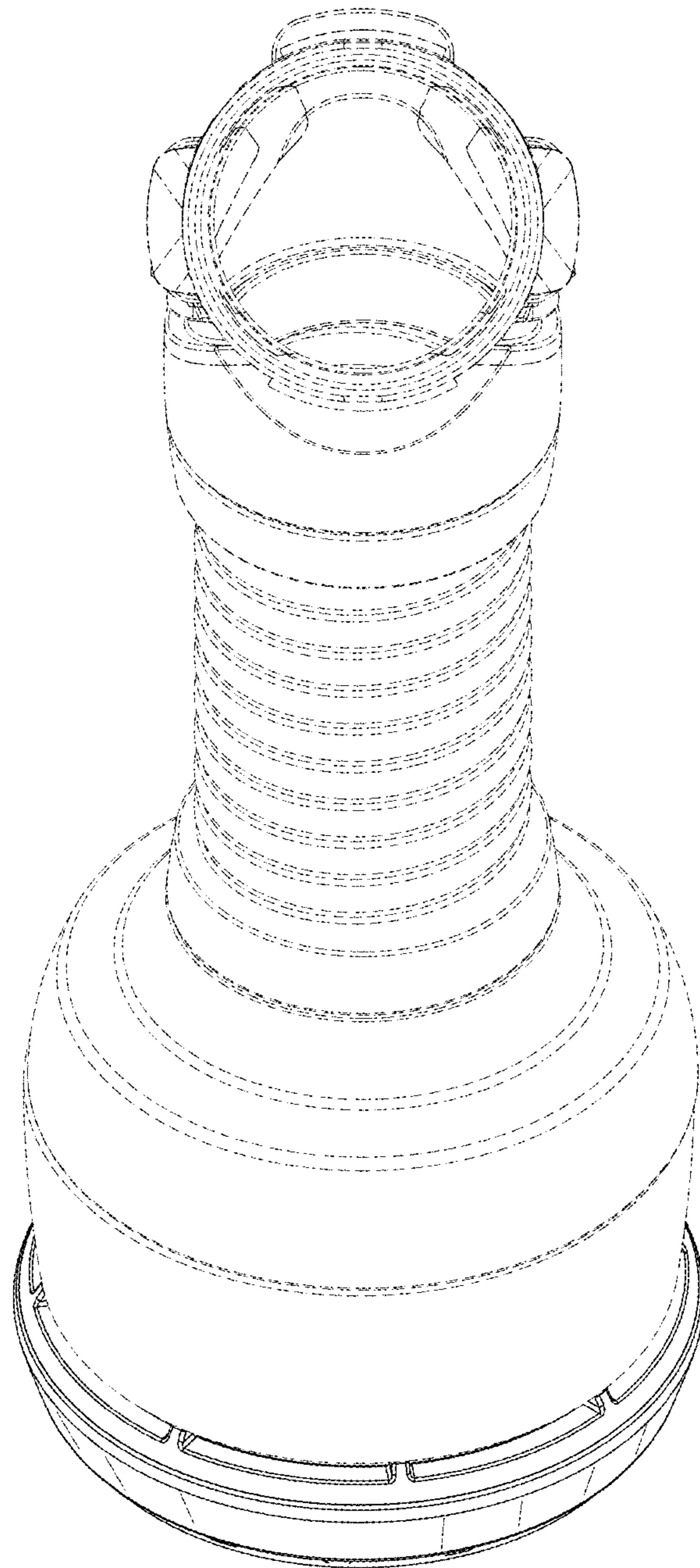


FIG. 3

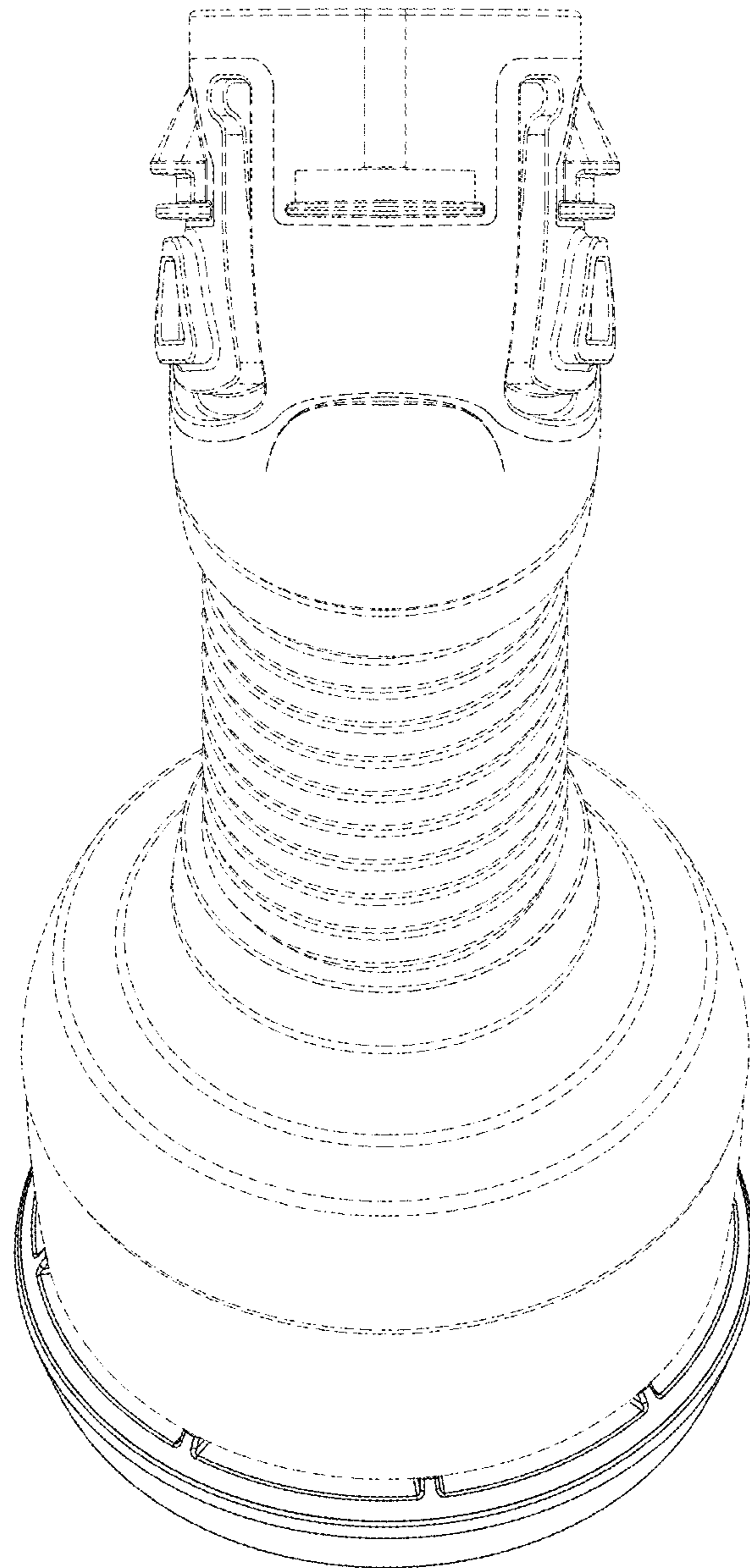


FIG. 4

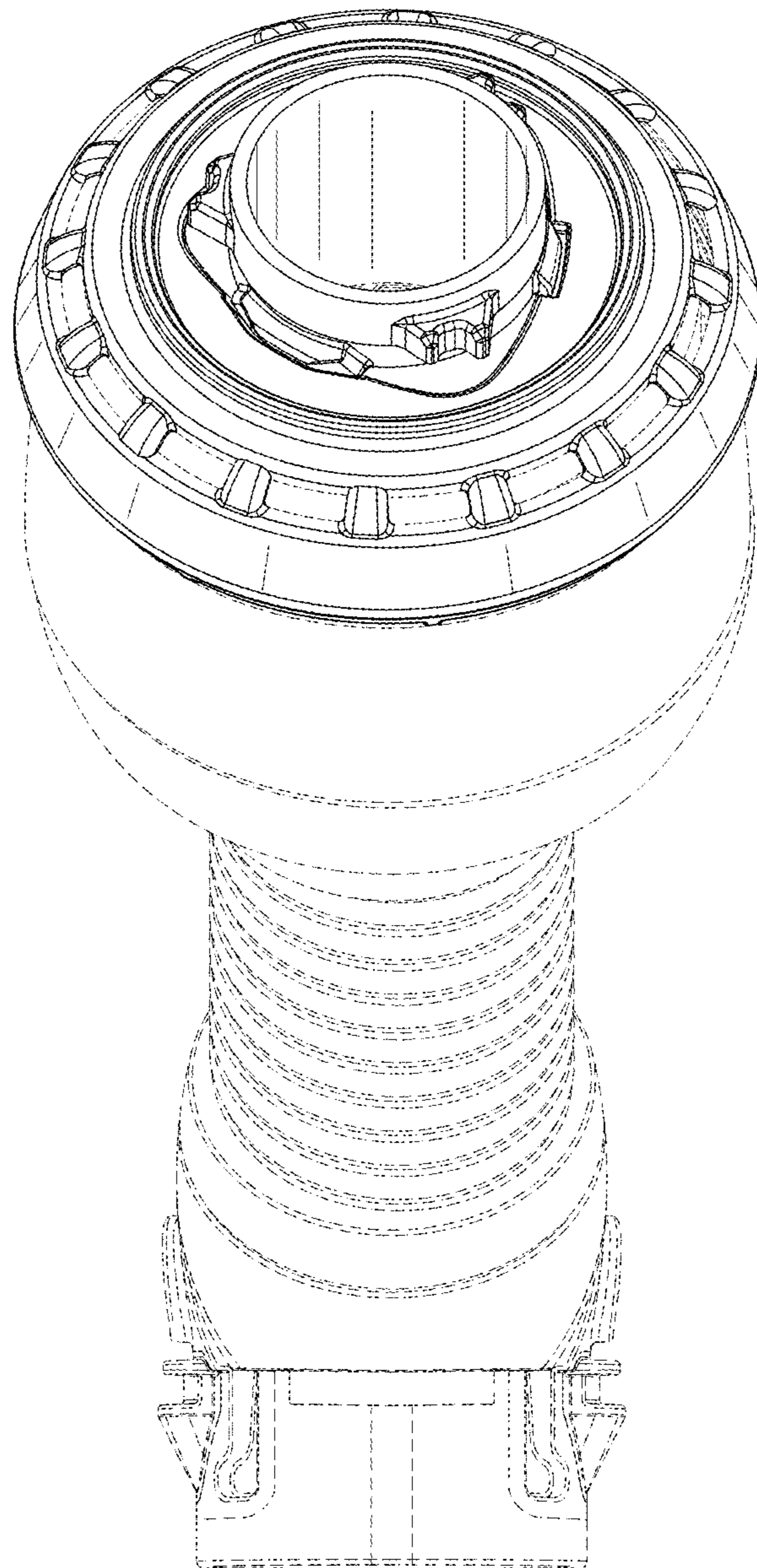


FIG. 5

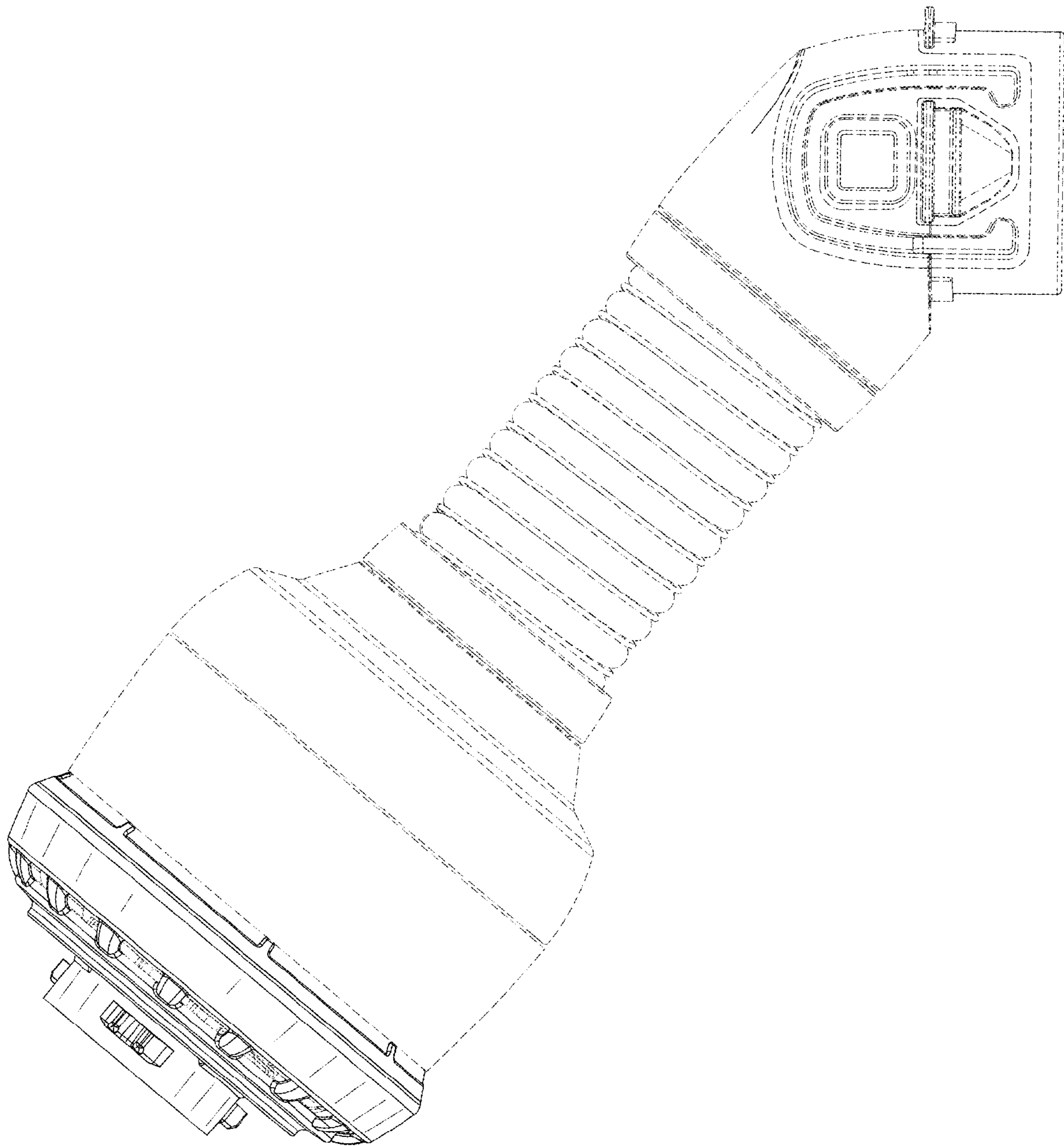


FIG. 6

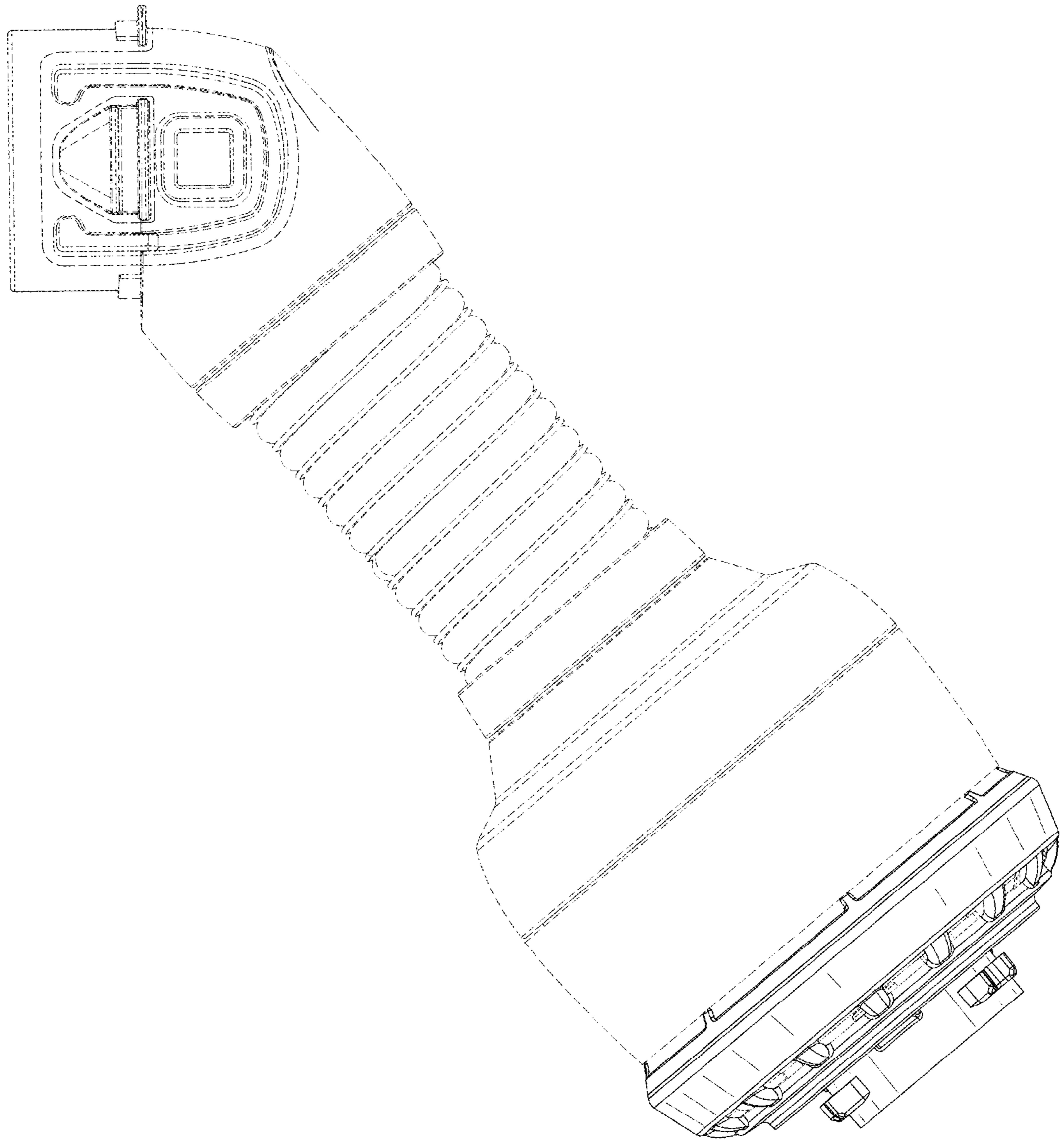


FIG. 7

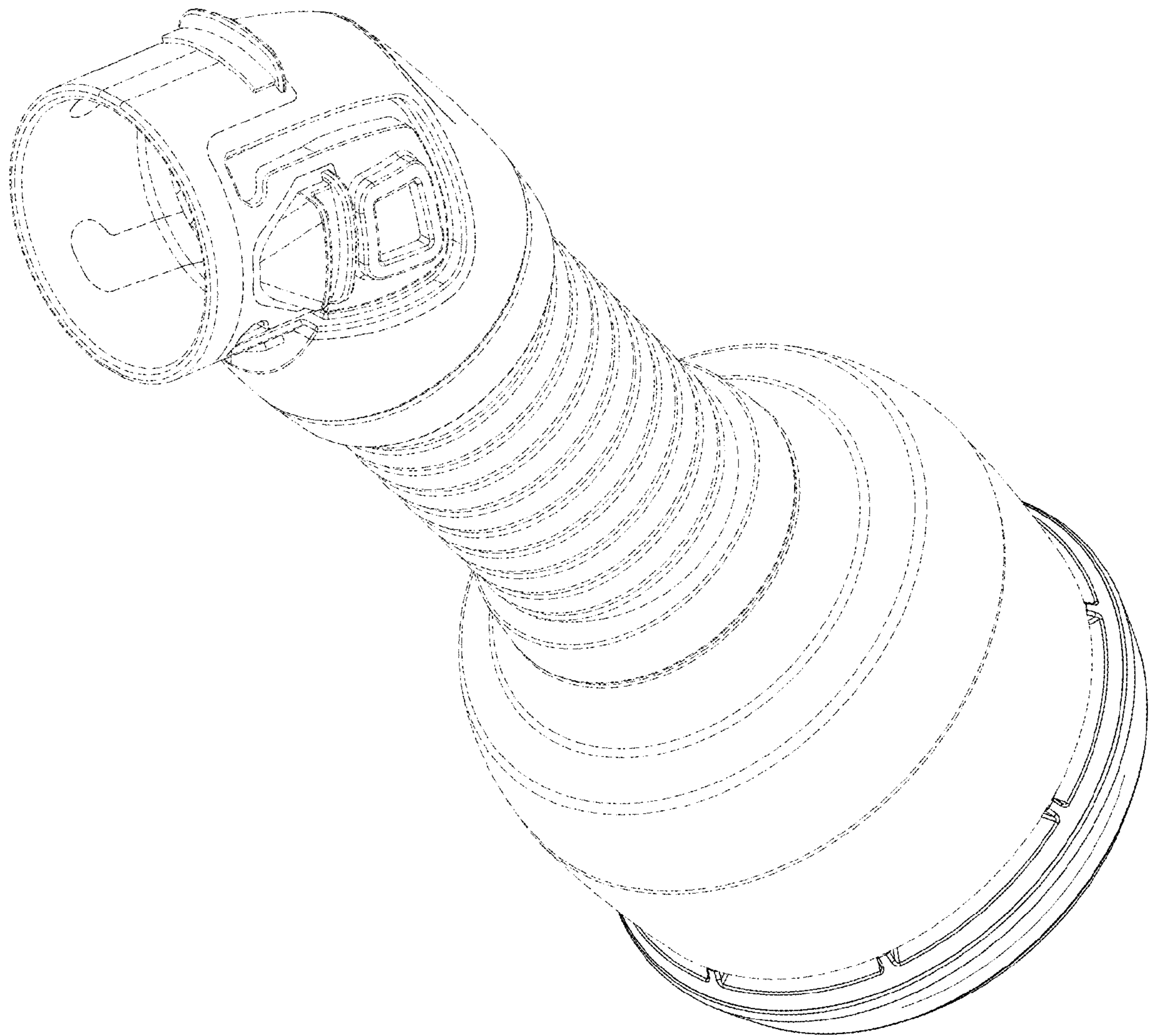


FIG. 8

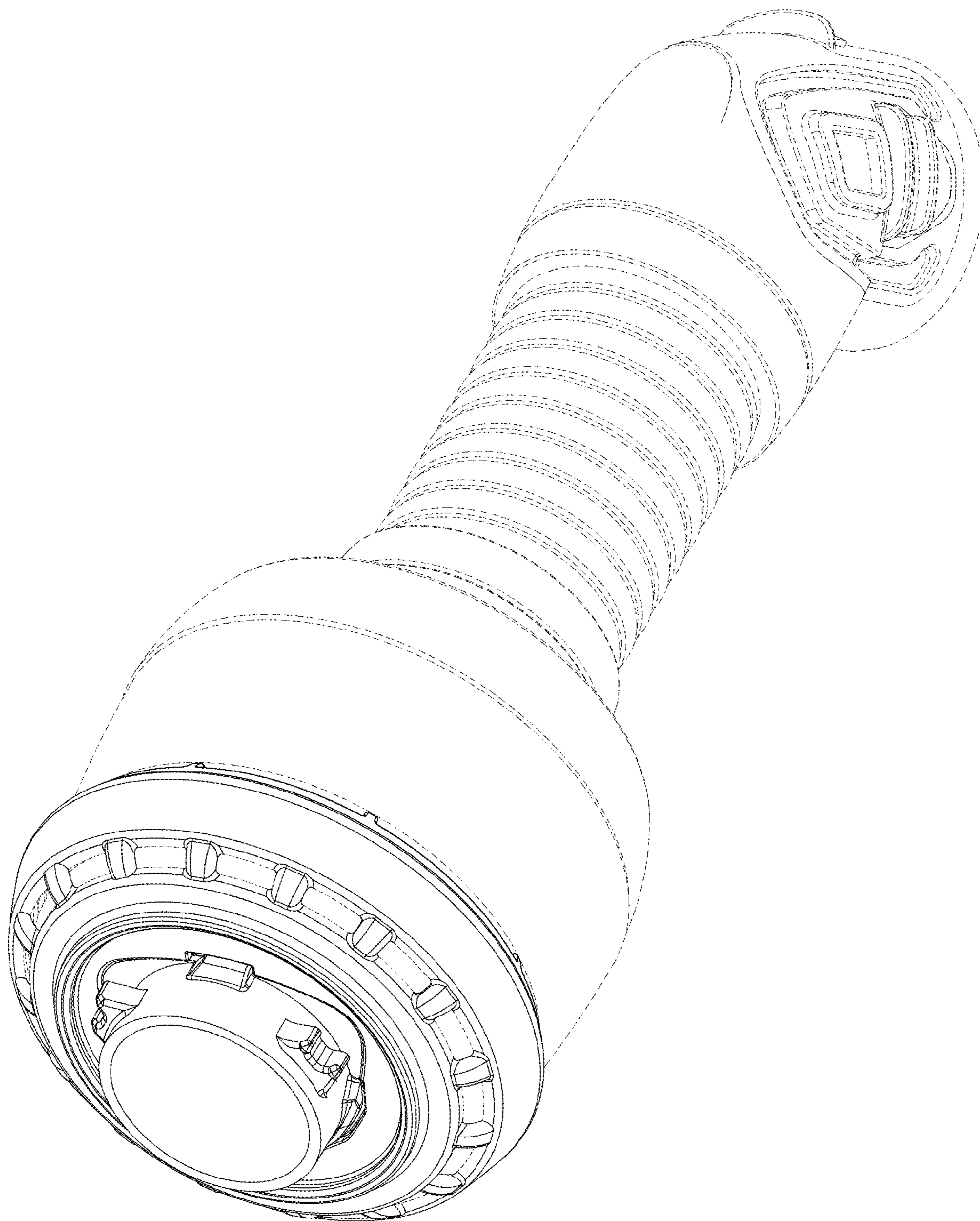


FIG. 9

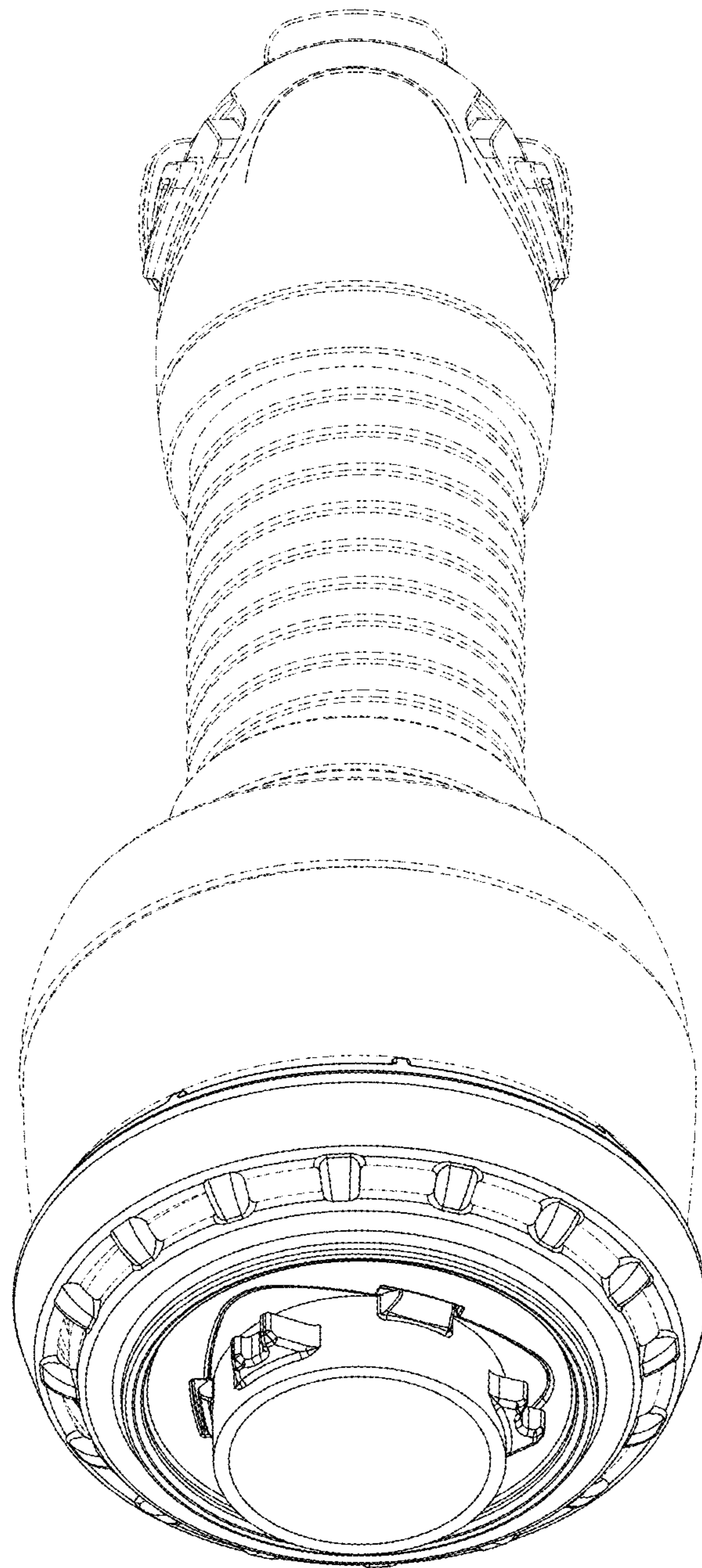


FIG. 10

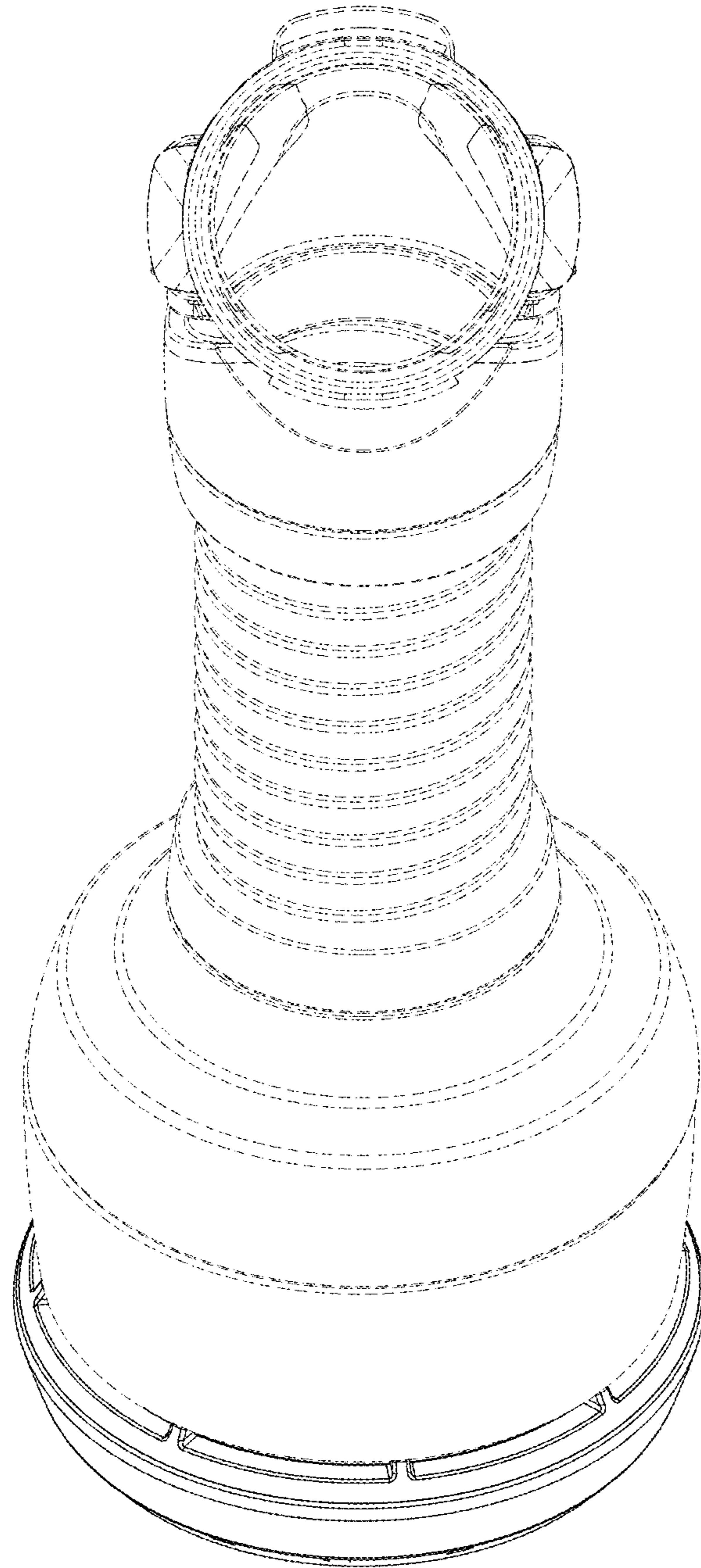


FIG. 11

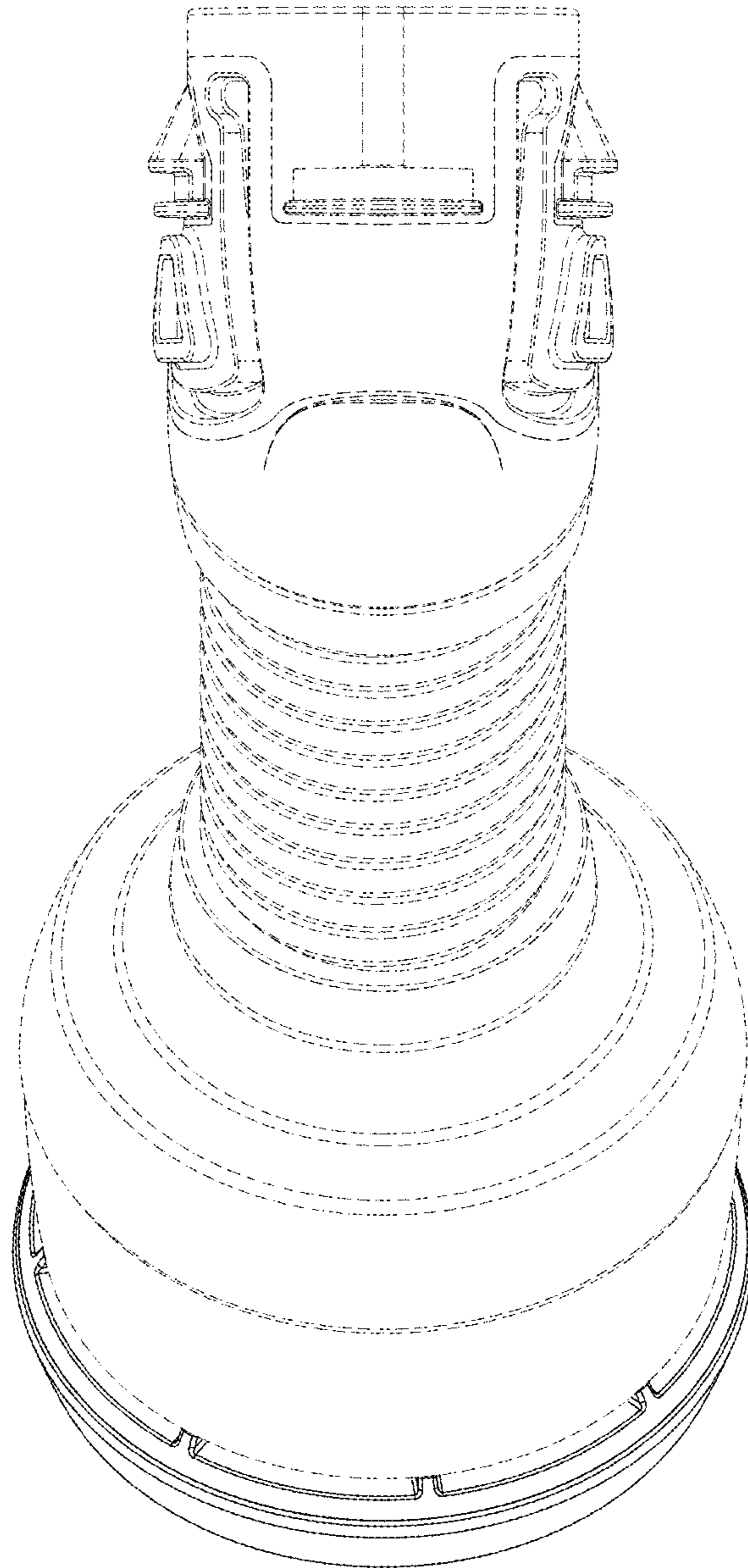


FIG. 12

Application No.: 29/753,262
Atty. Dkt. No.: 4398-2161
REPLACEMENT SHEET

13/16

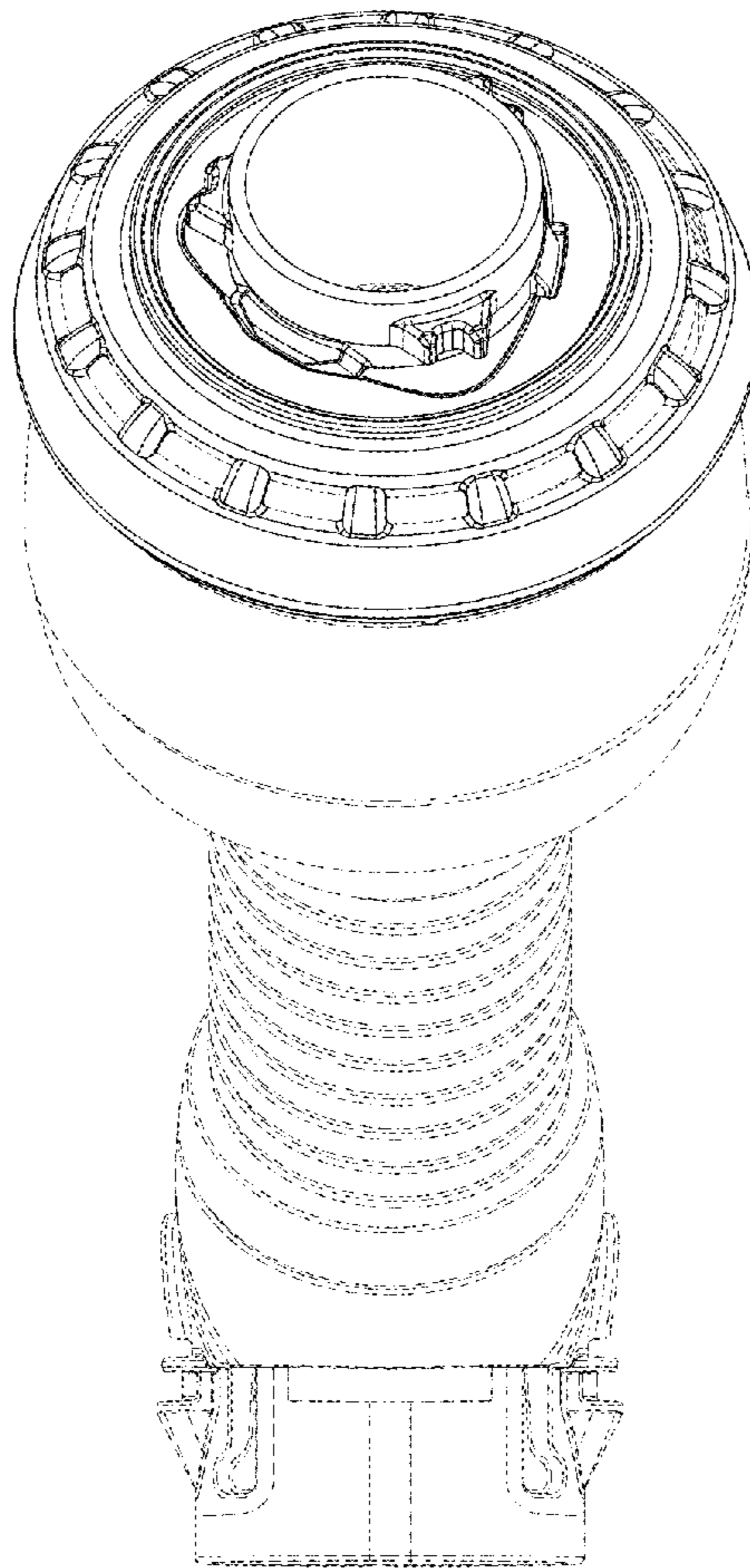


FIG. 13

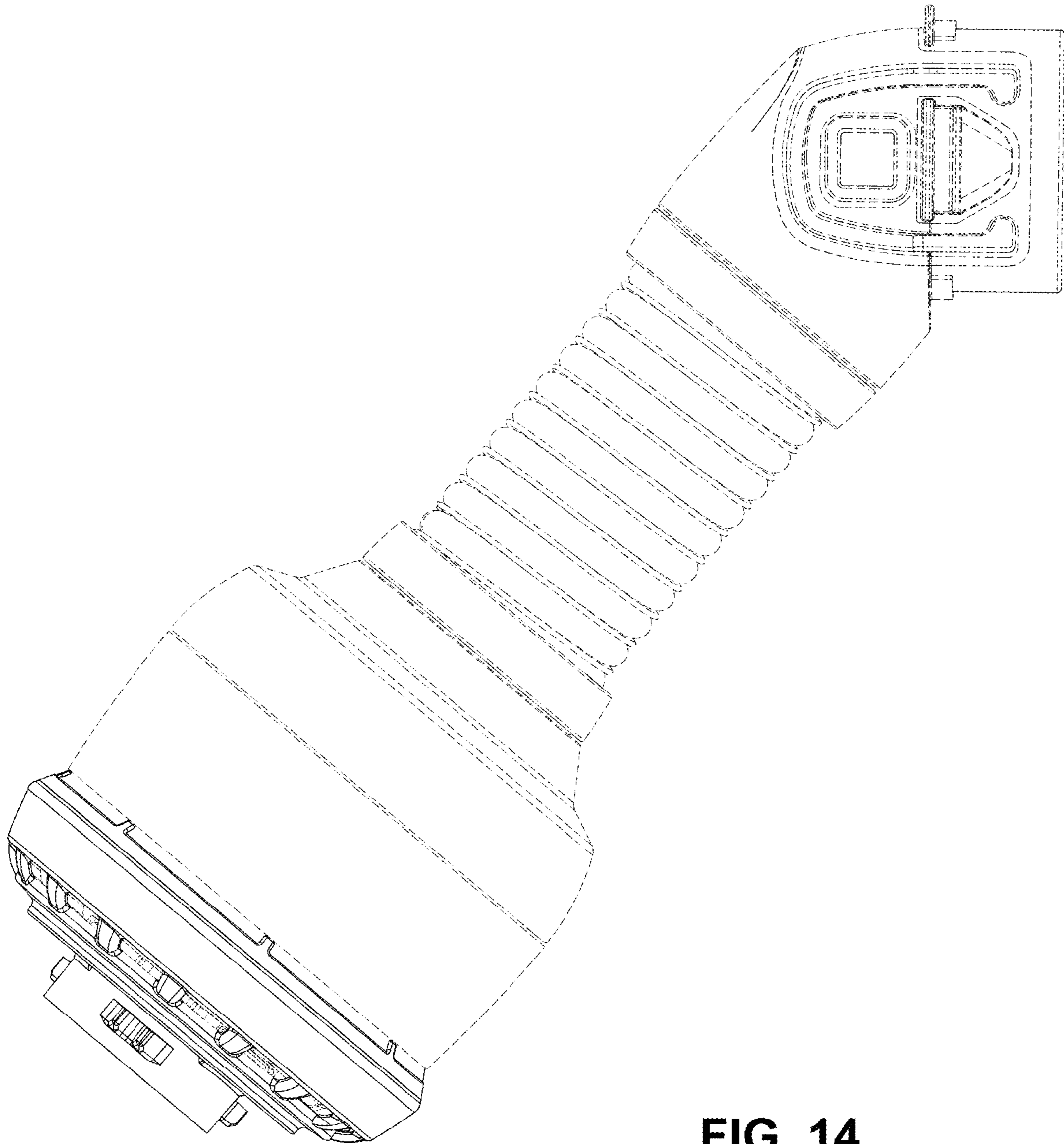


FIG. 14

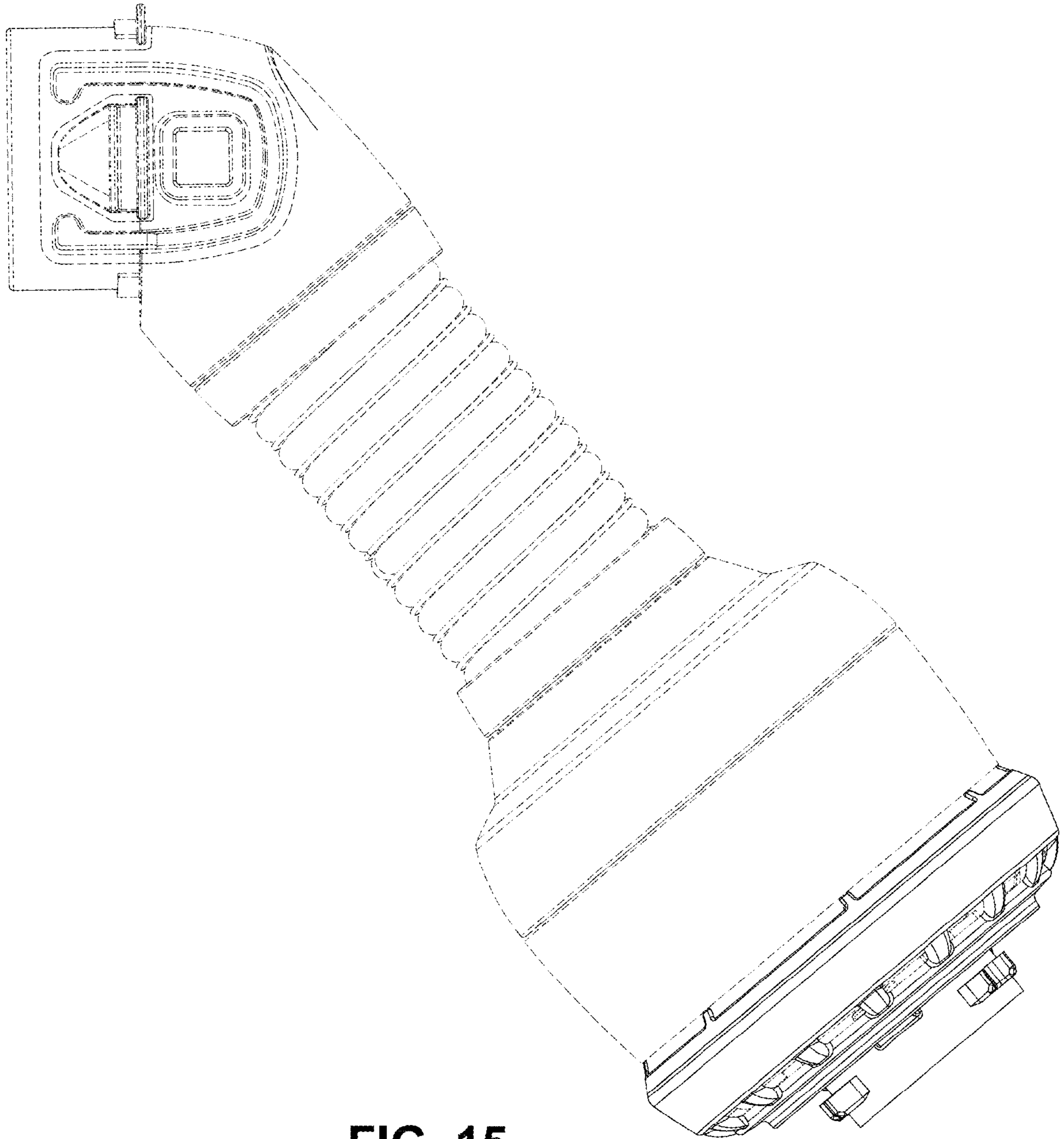


FIG. 15

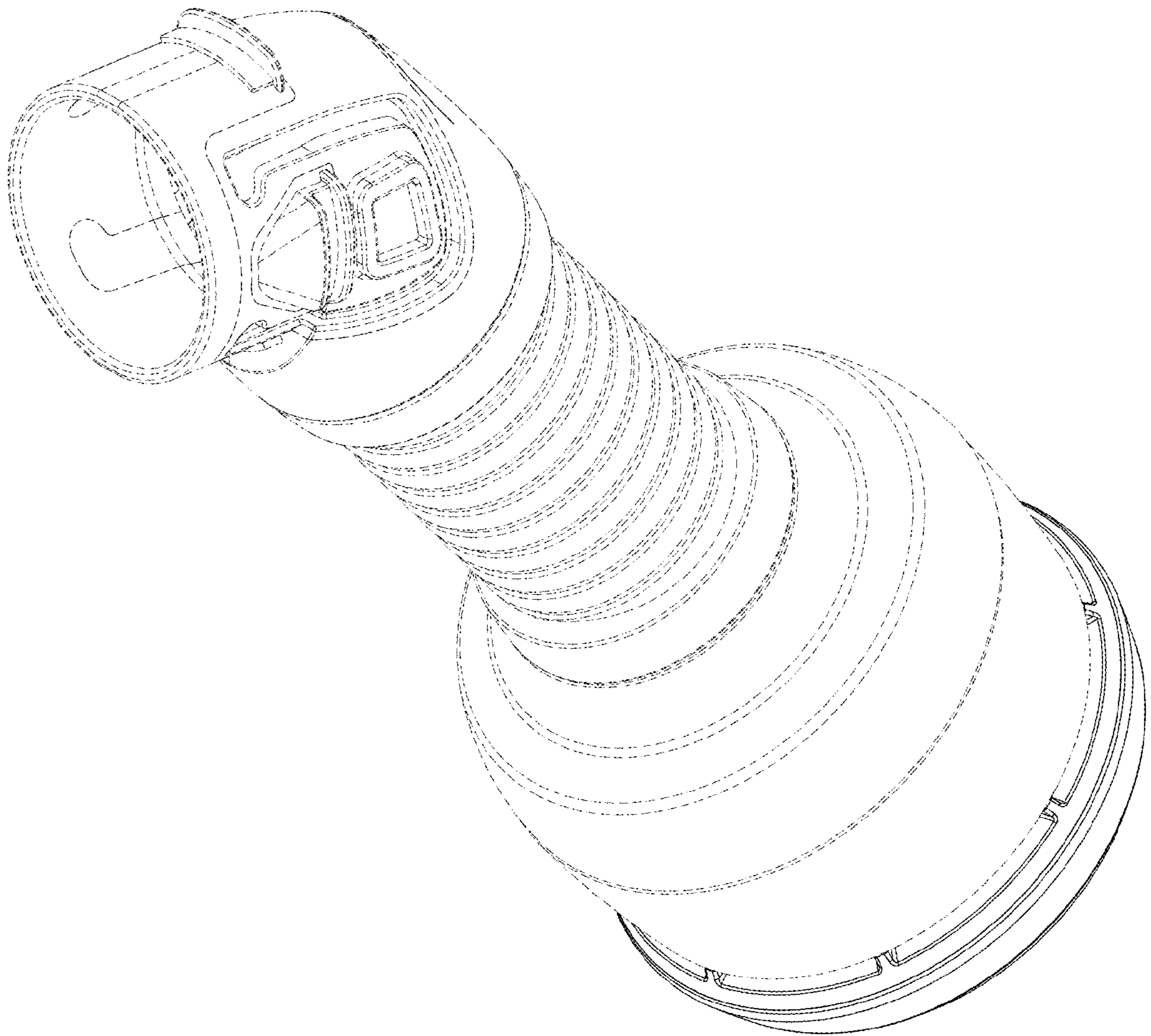


FIG. 16