



US00D942614S

(12) **United States Design Patent** (10) **Patent No.:** **US D942,614 S**  
**Blanch et al.** (45) **Date of Patent:** **\*\* Feb. 1, 2022**

(54) **COMBINED CUSHION AND FRAME  
MODULE FOR PATIENT INTERFACE**

FOREIGN PATENT DOCUMENTS

WO WO 2005/076874 A2 8/2005  
WO WO 2005/086943 A2 9/2005

(71) Applicant: **ResMed Pty Ltd**, Bella Vista (AU)

(Continued)

(72) Inventors: **Emily Elizabeth Blanch**, Sydney (AU);  
**Kishore Markapuram**  
**Chengalvarayan**, Sydney (AU); **Luke**  
**Emmanuel Klinkenberg**, Sydney  
(AU); **Michael Kenneth Truscott**,  
Sydney (AU); **Michiel Kooij**, Sydney  
(AU); **Paul Derrick Watson**, Sydney  
(AU); **Rupert Christian Scheiner**,  
Sydney (AU); **Ryan Michael**  
**Kirkpatrick**, Sydney (AU); **Aaron**  
**Samuel Davidson**, Sydney (AU);  
**Adam Francis Barlow**, Sydney (AU);  
**Kam Man Law**, Sydney (AU); **Lemmy**  
**Nga**, Sydney (AU)

OTHER PUBLICATIONS

Kooij et al., U.S. Appl. No. 16/069,308, filed Jul. 11, 2018, entitled  
“Adjustable Headgear Tubing for a Patient Interface”.

(Continued)

*Primary Examiner* — Lilyana Bekic

(74) *Attorney, Agent, or Firm* — Nixon & Vanderhye P.C.

(57) **CLAIM**

The ornamental design for a combined cushion and frame  
module for patient interface, as shown and described.

**DESCRIPTION**

(73) Assignee: **ResMed Pty Ltd**, Bella Vista (AU)

(\*\*) Term: **15 Years**

(21) Appl. No.: **29/656,022**

(22) Filed: **Jul. 10, 2018**

(51) **LOC (13) Cl.** ..... **24-02**

(52) **U.S. Cl.**  
USPC ..... **D24/110.4**

(58) **Field of Classification Search**  
USPC ..... D24/110, 110.1, 110.4, 127

(Continued)

(56) **References Cited**

U.S. PATENT DOCUMENTS

3,513,844 A 5/1970 Smith  
4,535,767 A 8/1985 Tiep et al.

(Continued)

FIG. 1 is a front perspective view of a combined cushion and  
frame module for patient interface showing a first embodi-  
ment of our new design in an environment of use;  
FIG. 2 is an enlarged perspective view of the cushion and  
frame module shown in isolation;  
FIG. 3 is a front view thereof;  
FIG. 4 is a rear view thereof;  
FIG. 5 is a top view thereof;  
FIG. 6 is a bottom view thereof;  
FIG. 7 is a left side view thereof;  
FIG. 8 is a right side view thereof;  
FIG. 9 is a reverse perspective view thereof;  
FIG. 10 is a front perspective view of a combined cushion  
and frame module for patient interface showing a second  
embodiment of our new design in an environment of use;  
FIG. 11 is an enlarged perspective view of the cushion and  
frame module shown in isolation;  
FIG. 12 is a front view thereof;  
FIG. 13 is a rear view thereof;  
FIG. 14 is a top view thereof;  
FIG. 15 is a bottom view thereof;

(Continued)

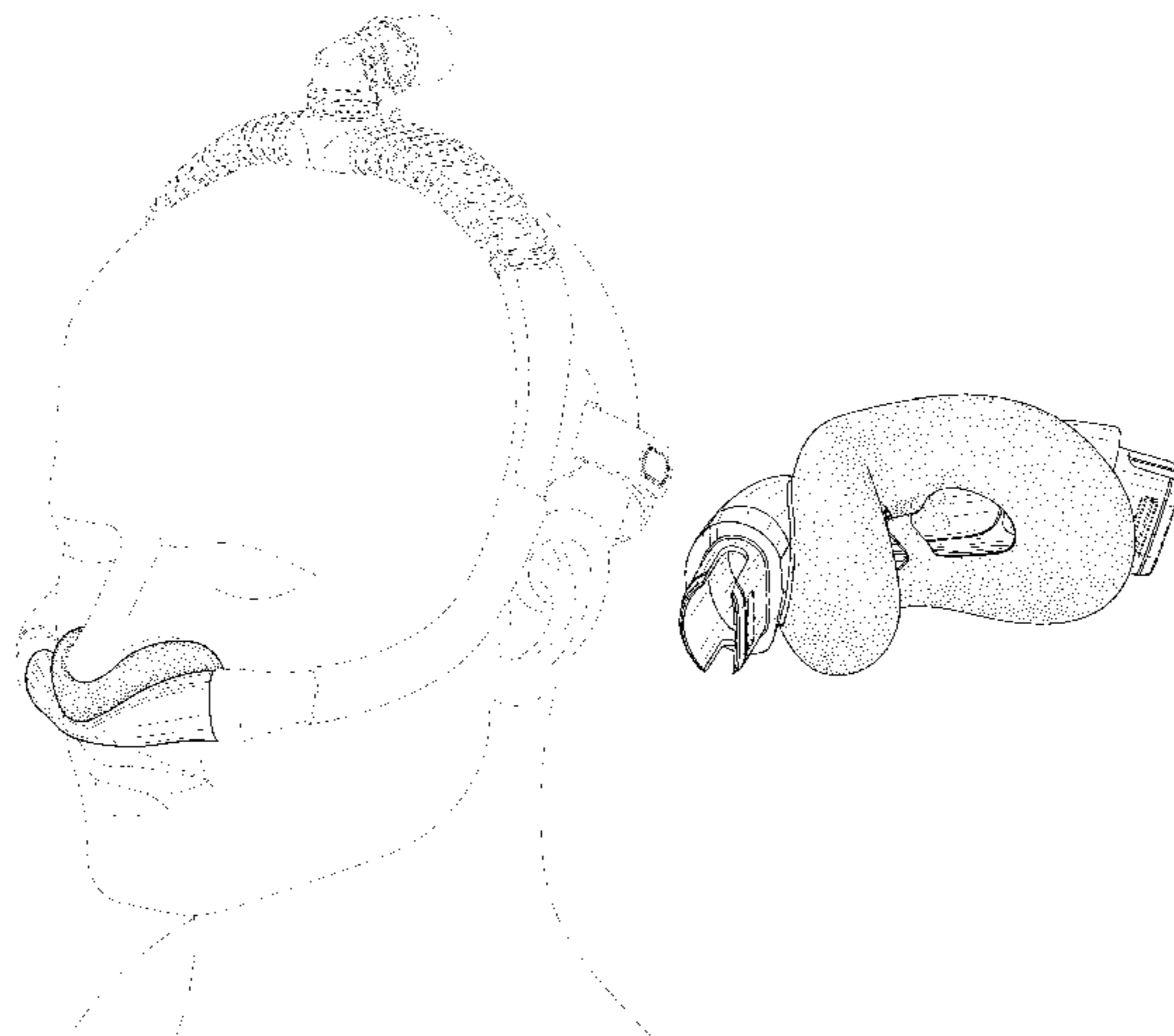


FIG. 16 is a left side view thereof;  
 FIG. 17 is a right side view thereof; and,  
 FIG. 18 is a reverse perspective view thereof.

The broken line showing of the sample model patient and patient interface in FIGS. 1 and 10 depicts environment and forms no part of the claimed design. All other broken lines depict portions of the combined cushion and frame module for patient interface that form no part of the claimed design. Line shading and stippling in FIGS. 1-9 have been used to indicate a contrast in appearance.

**1 Claim, 10 Drawing Sheets**

**(58) Field of Classification Search**

CPC ..... A61M 16/0622; A61M 16/06; A61M 16/0616; A61M 16/0666; A61M 16/0683; A61M 16/0672

See application file for complete search history.

**(56)**

**References Cited**

**U.S. PATENT DOCUMENTS**

4,878,491	A	11/1989	McGilvray, III
5,069,222	A	12/1991	McDonald, Jr.
5,269,296	A	12/1993	Landis
5,438,979	A	8/1995	Johnson, Jr. et al.
5,538,000	A	6/1996	Rudolph
5,687,715	A	11/1997	Landis
6,044,844	A	4/2000	Kwok et al.
6,478,026	B1	11/2002	Wood
6,595,215	B2	7/2003	Wood
6,679,265	B2	1/2004	Strickland et al.
7,080,645	B2	7/2006	Genger et al.
7,370,652	B2	5/2008	Matula, Jr. et al.
8,985,115	B2	3/2015	Baecke et al.
D799,699	S *	10/2017	Higgins ..... D24/110.4
10,029,062	B2 *	7/2018	Kwok ..... A61M 16/0833
D829,322	S *	9/2018	Eury ..... D24/110.4
D869,637	S *	12/2019	Higgins ..... D24/110
D869,642	S *	12/2019	Andrews ..... D24/110.4
D872,257	S *	1/2020	Andrews ..... D24/110.4
D893,013	S *	8/2020	Higgins ..... D24/110.4
D924,388	S *	7/2021	Blanch ..... D24/110.4
2004/0025885	A1	2/2004	Payne, Jr.
2005/0205096	A1	9/2005	Matula, Jr. et al.
2006/0213521	A1	9/2006	Radney
2006/0231102	A1	10/2006	Bordewick et al.
2008/0060649	A1 *	3/2008	Veliss ..... A61M 16/0694 128/205.25
2009/0223518	A1 *	9/2009	Kwok ..... A61M 16/0666 128/205.25
2010/0018534	A1	1/2010	Veliss et al.
2010/0313891	A1	12/2010	Veliss et al.

2011/0247619	A1	10/2011	Formica et al.
2012/0325219	A1	12/2012	Smith
2014/0311492	A1 *	10/2014	Stuebiger ..... A61M 16/0683 128/204.23
2015/0083136	A1	3/2015	Koninklijke
2015/0182719	A1	7/2015	Grashow et al.
2015/0352306	A1	12/2015	Scheiner et al.
2016/0082214	A1	3/2016	Barlow et al.
2016/0296720	A1	10/2016	Henry et al.
2017/0224944	A1	8/2017	Gunaratnam et al.
2017/0291004	A1	10/2017	Ng et al.
2017/0312468	A1	11/2017	Formica et al.
2018/0099113	A1 *	4/2018	Bell ..... A61M 16/0683
2018/0140795	A1	5/2018	Wells et al.
2018/0147382	A1 *	5/2018	Hlopick ..... A61M 16/0808
2018/0264218	A1 *	9/2018	Chodkowski ..... A61M 16/0605
2019/0091428	A1 *	3/2019	Chodkowski ..... A61M 16/06
2019/0388639	A1 *	12/2019	Grashow ..... A61M 16/0622
2020/0046933	A1 *	2/2020	Himes ..... A61M 16/208
2020/0078545	A1 *	3/2020	Haibach ..... A61M 16/022
2020/0384229	A1 *	12/2020	Lashinsky ..... G16H 20/40
2021/0030990	A1 *	2/2021	Klinkenberg ..... A61M 16/0057
2021/0093236	A1 *	4/2021	Margaria ..... A61B 5/0002

**FOREIGN PATENT DOCUMENTS**

WO	WO 2005/099801	A1	10/2005
WO	WO 2007/028877	A2	3/2007
WO	WO 2008/011682	A1	1/2008
WO	WO 2008/011683	A1	1/2008
WO	WO 2009/139647	A1	11/2009
WO	WO 2010/131189	A1	11/2010
WO	WO 2011/110962	A1	9/2011
WO	WO 2012/061783	A1	5/2012
WO	WO 2014/013371	A1	1/2014
WO	WO 2015/196255	A1	12/2015
WO	WO 2016/032343	A1	3/2016
WO	WO 2016/149769	A2	9/2016
WO	WO 2016/193859	A1	12/2016
WO	WO 2017/124152	A1	7/2017
WO	WO 2017/185140	A1	11/2017
WO	WO 2018/176094	A1	10/2018

**OTHER PUBLICATIONS**

Blanch et al., U.S. Appl. No. 29/656,011, filed Jul. 10, 2018, entitled "Patient Interface".

Barlow et al., U.S. Appl. No. 29/663,085, filed Sep. 12, 2018, entitled "Patient Interface and/or Components Thereof".

Klinkenberg, Luke Emmanuel, U.S. Appl. No. 62/625,571, filed Feb. 2, 2018, entitled "Connector Assembly".

Blanch et al., U.S. Appl. No. 62/764,995, filed Aug. 20, 2018, entitled "Headgear for a Patient Interface".

Davidson et al., U.S. Appl. No. 62/764,992, filed Aug. 20, 2018, entitled "Patient Interface".

\* cited by examiner

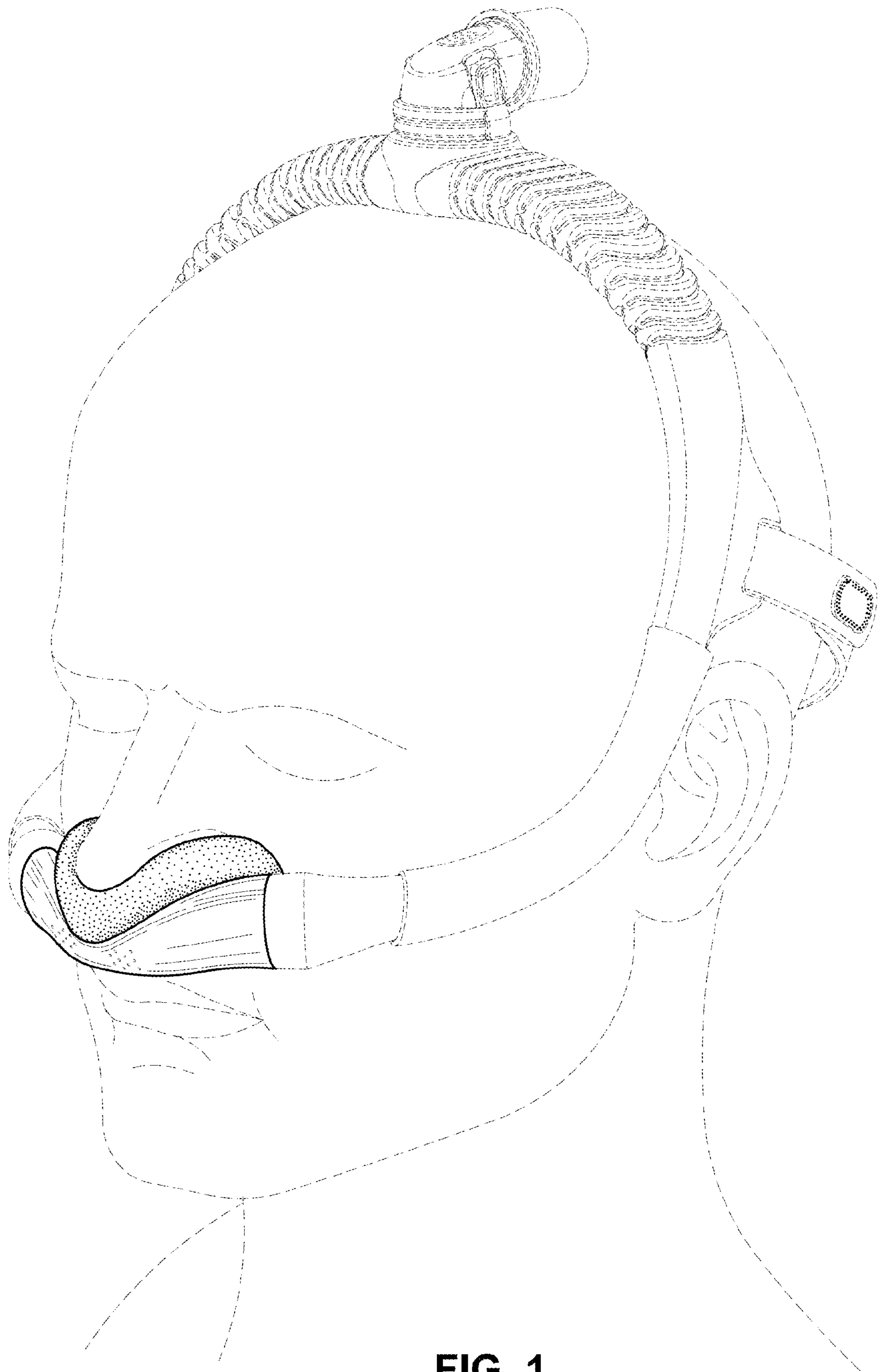
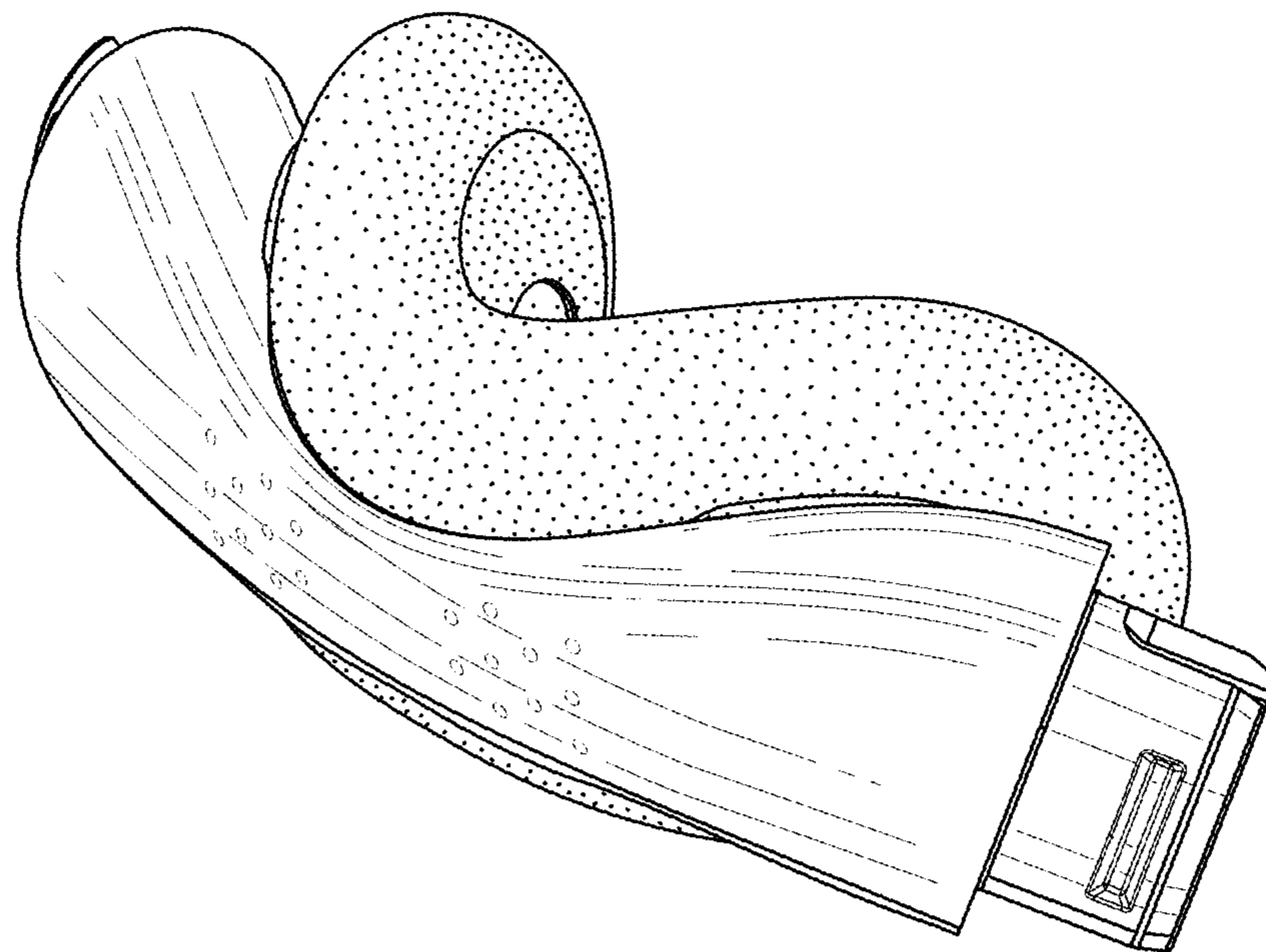
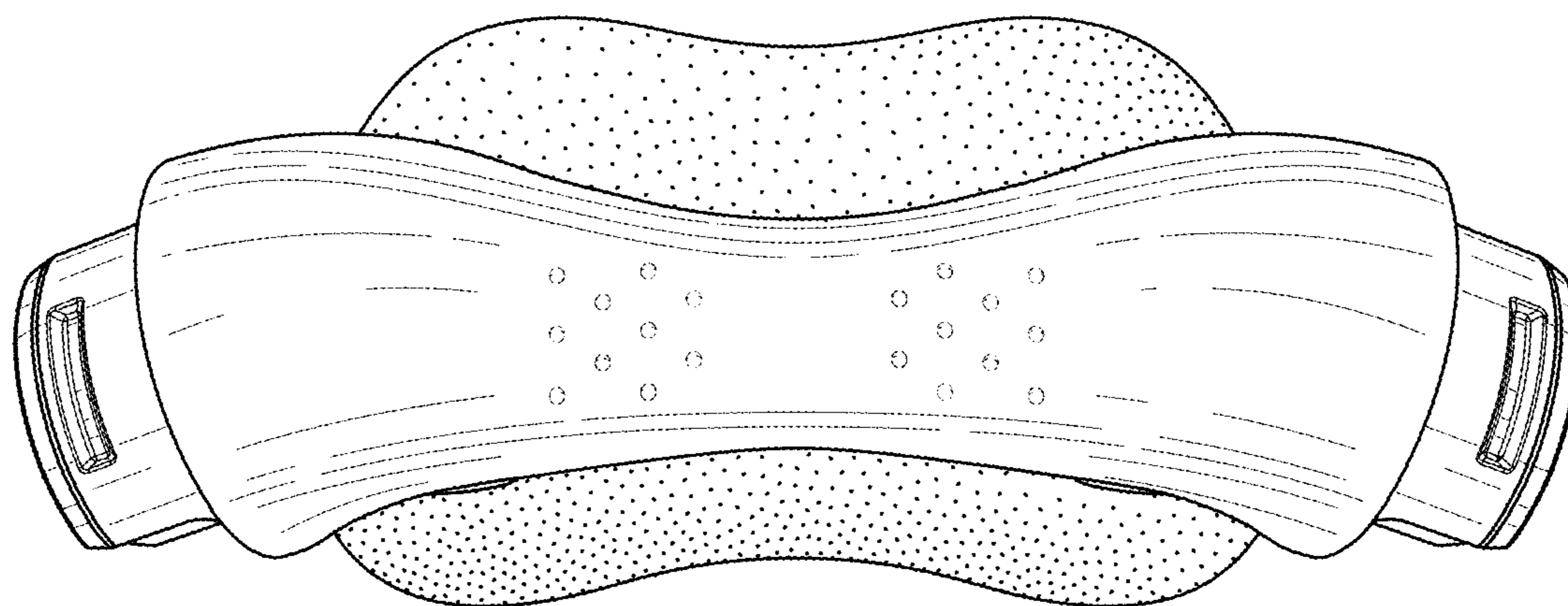


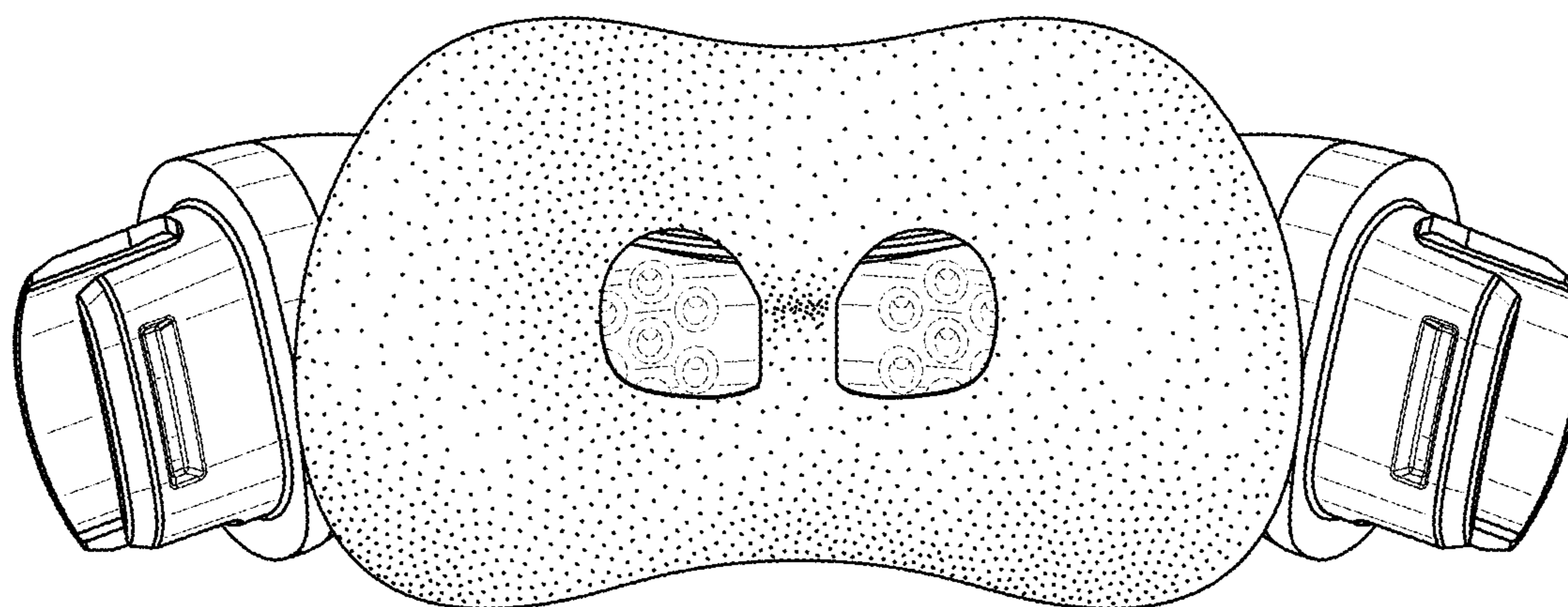
FIG. 1



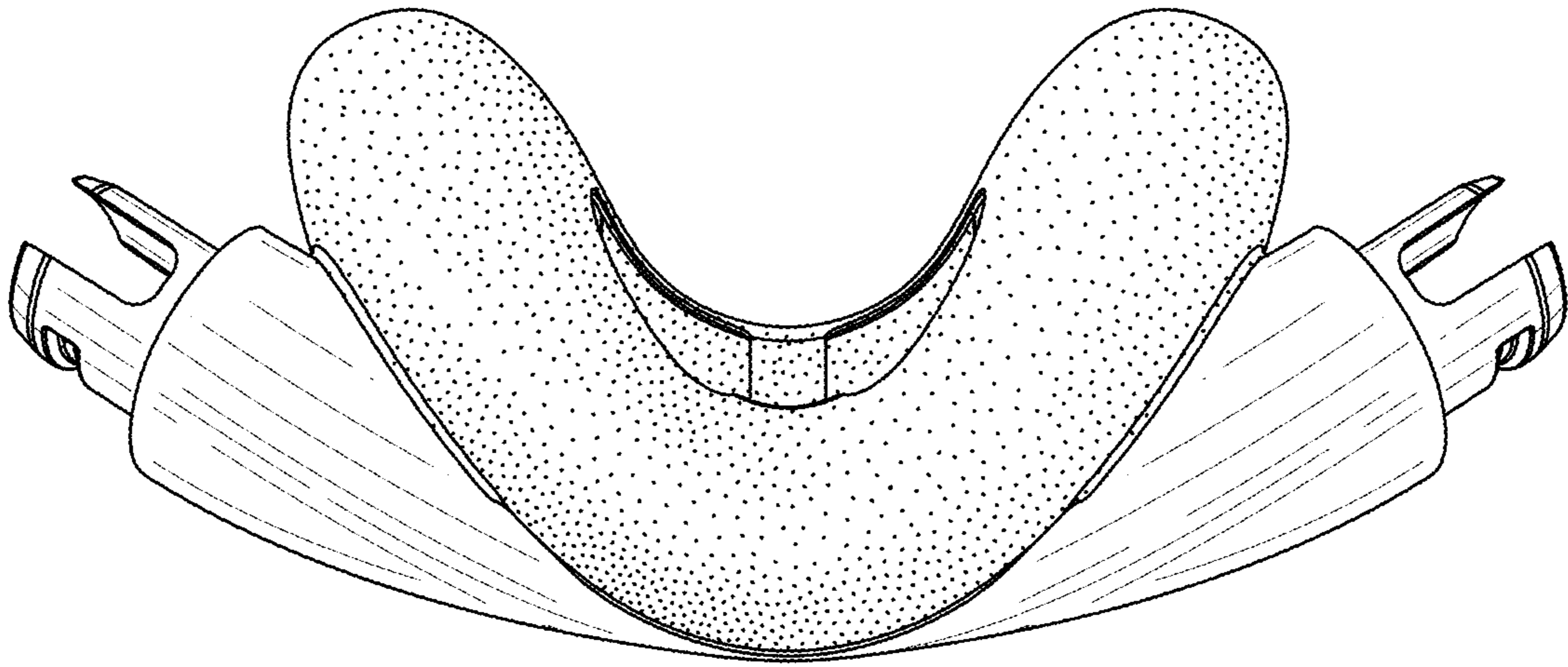
**FIG. 2**



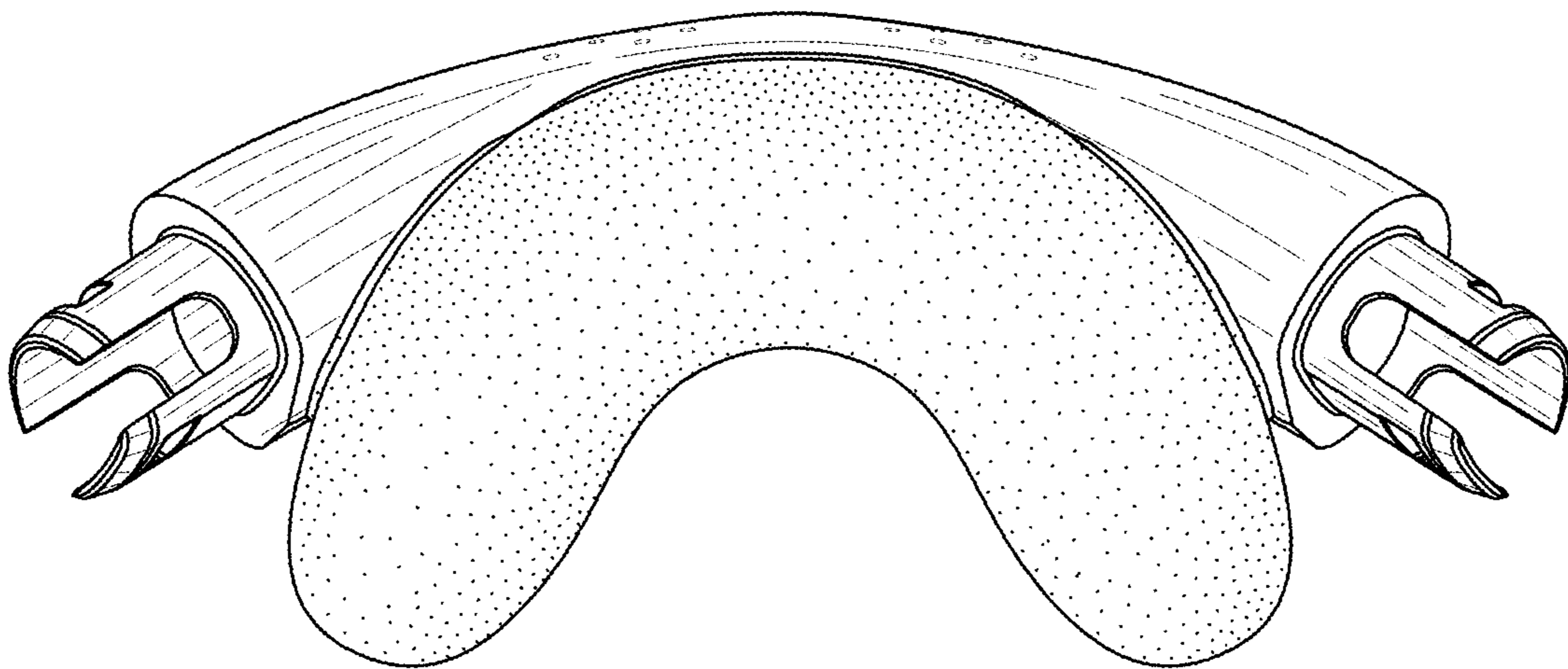
**FIG. 3**



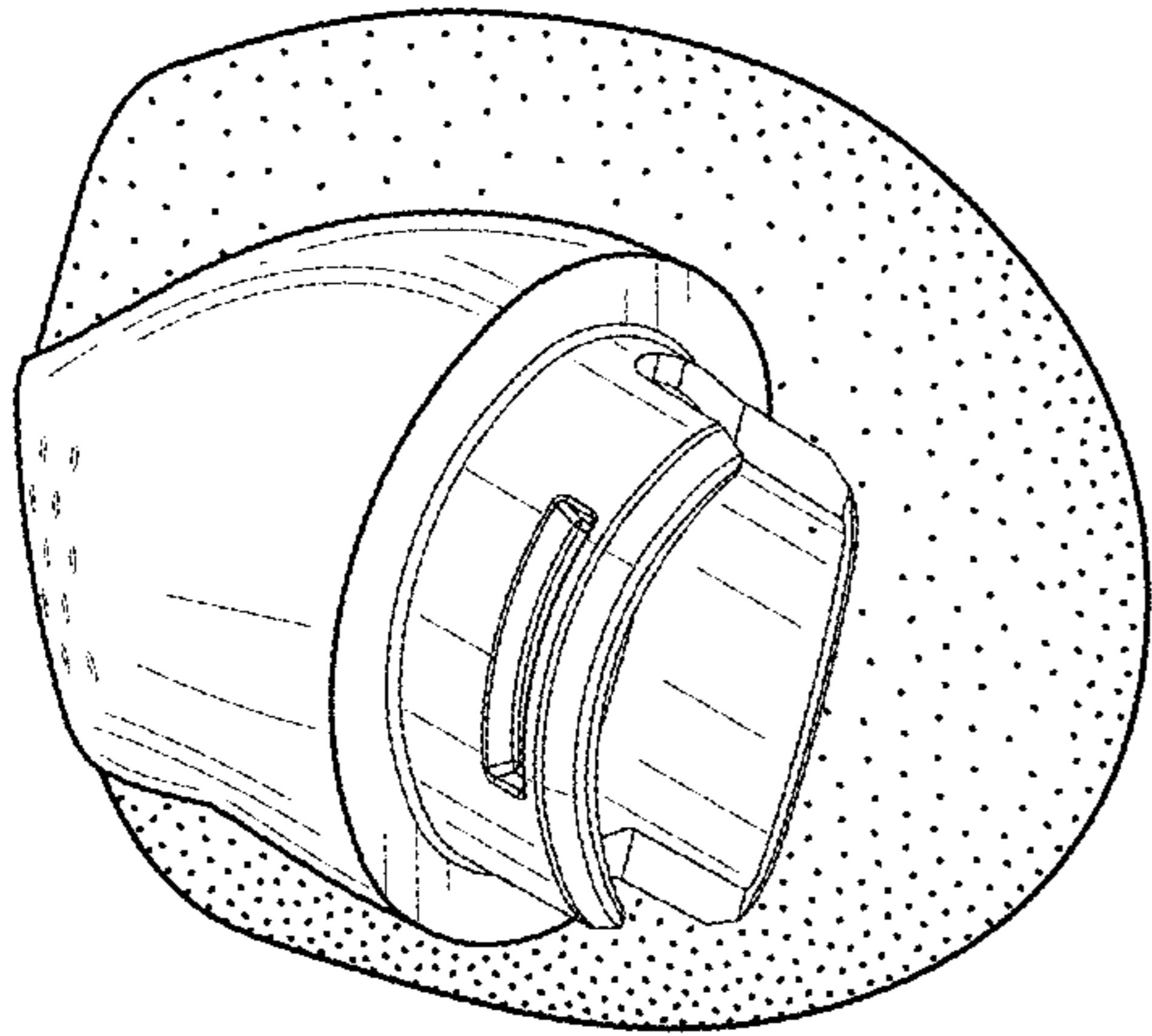
**FIG. 4**



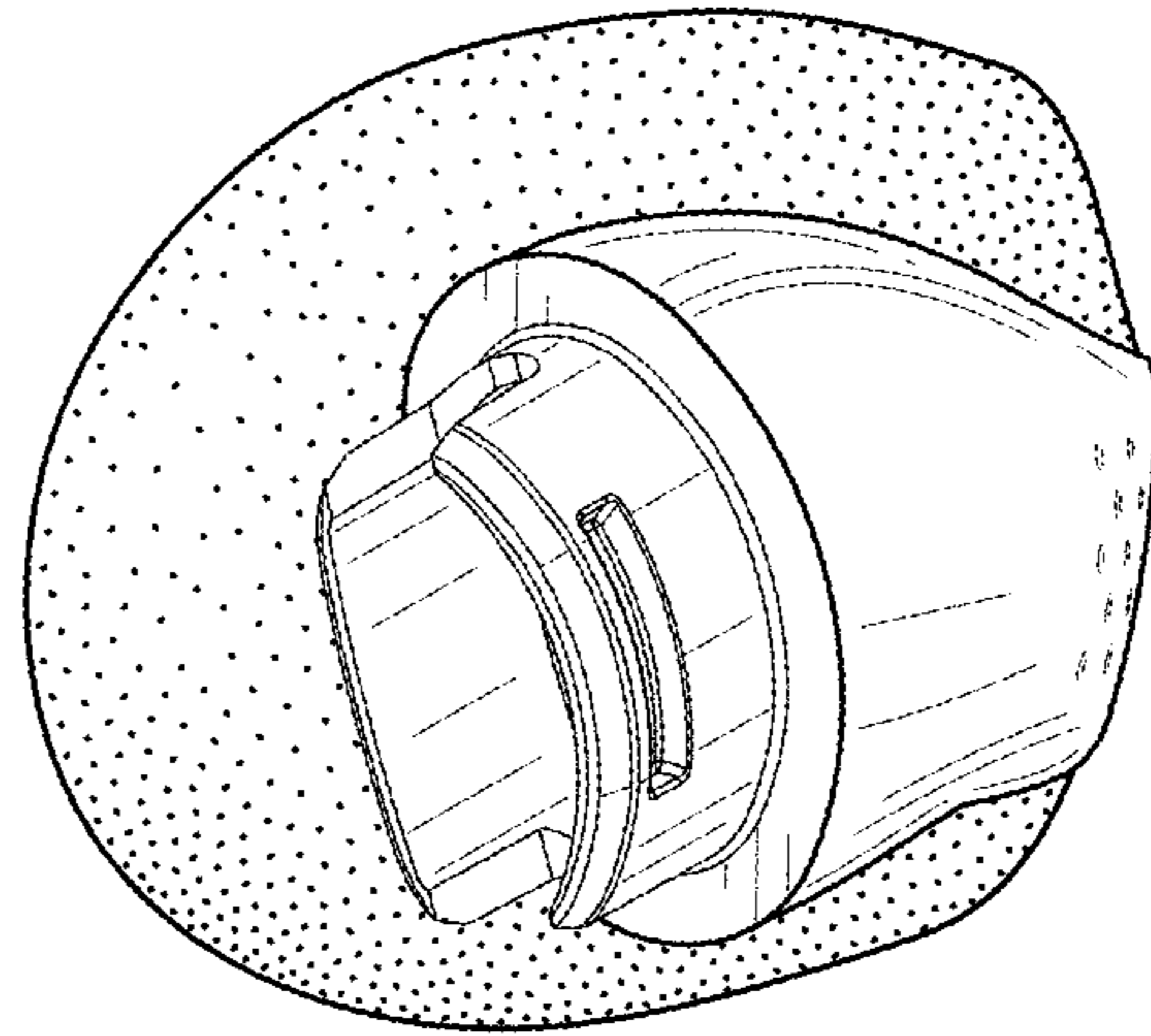
**FIG. 5**



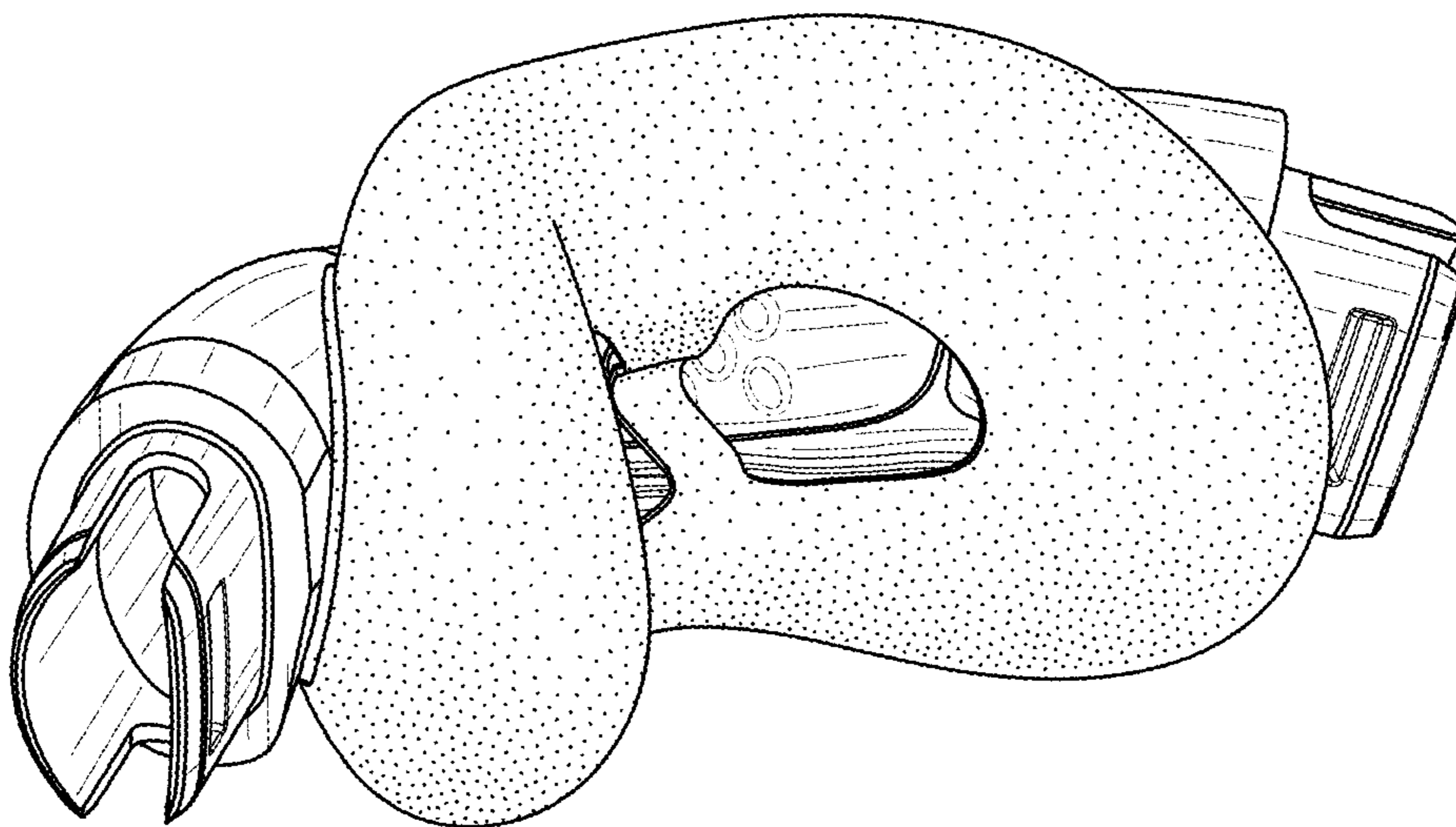
**FIG. 6**



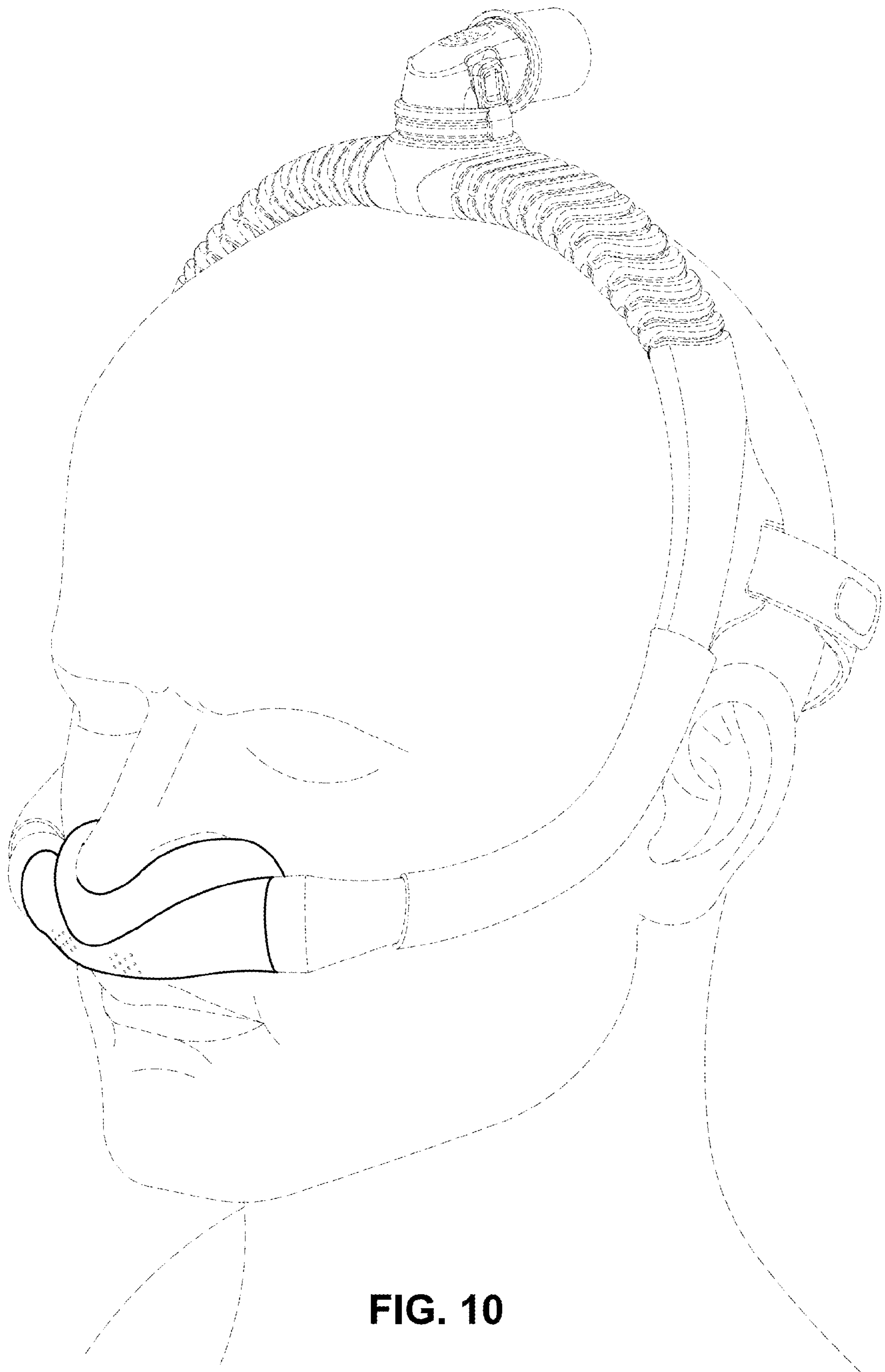
**FIG. 7**



**FIG. 8**

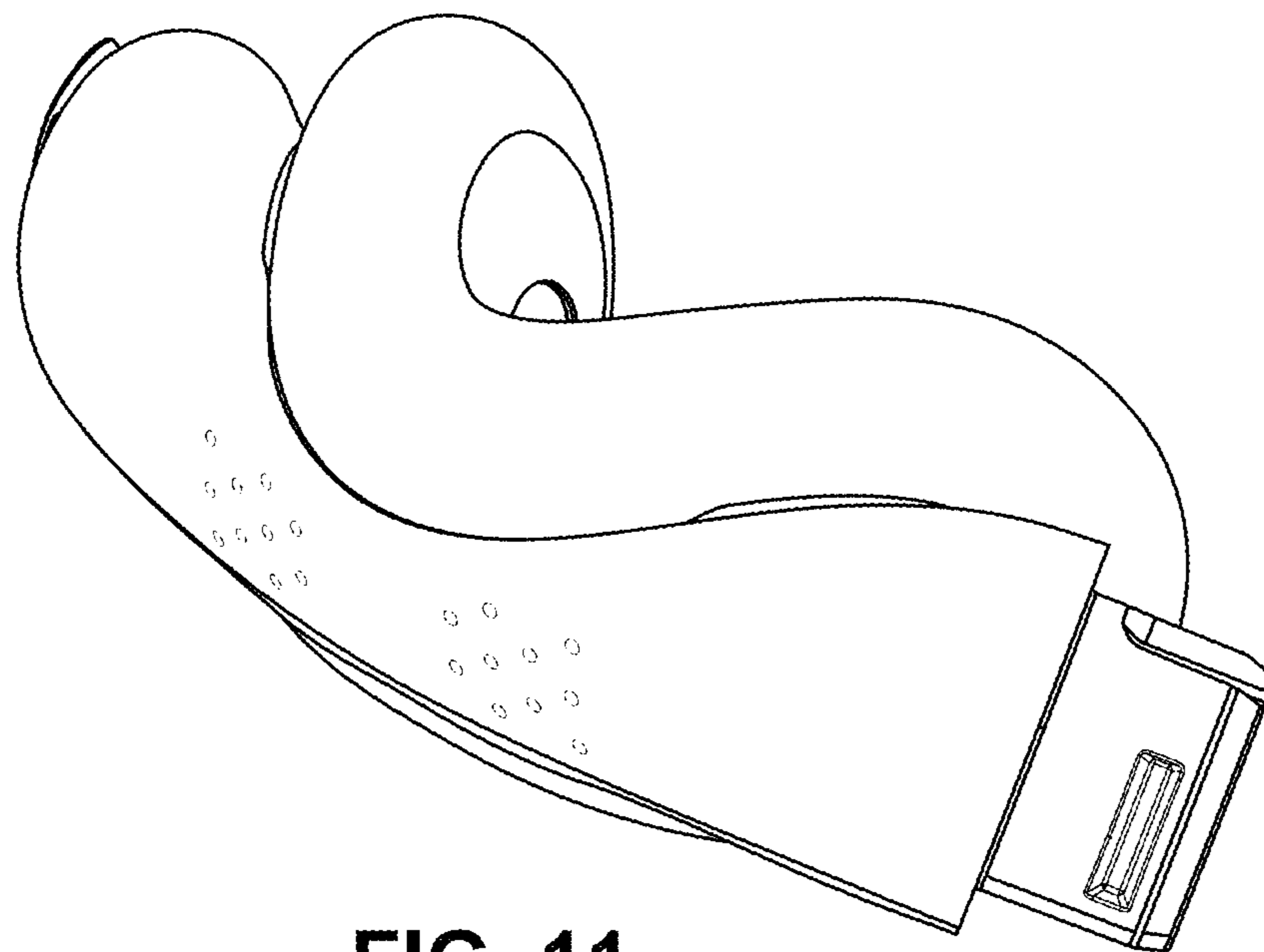


**FIG. 9**

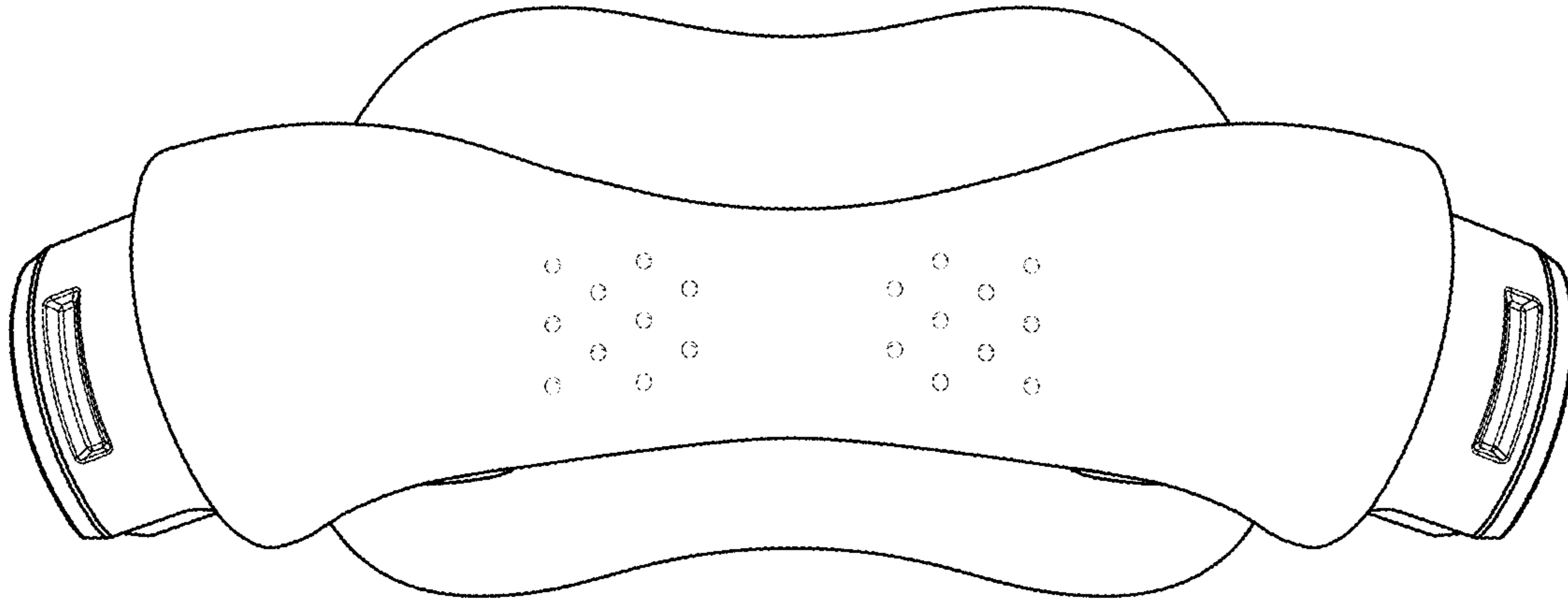


**FIG. 10**

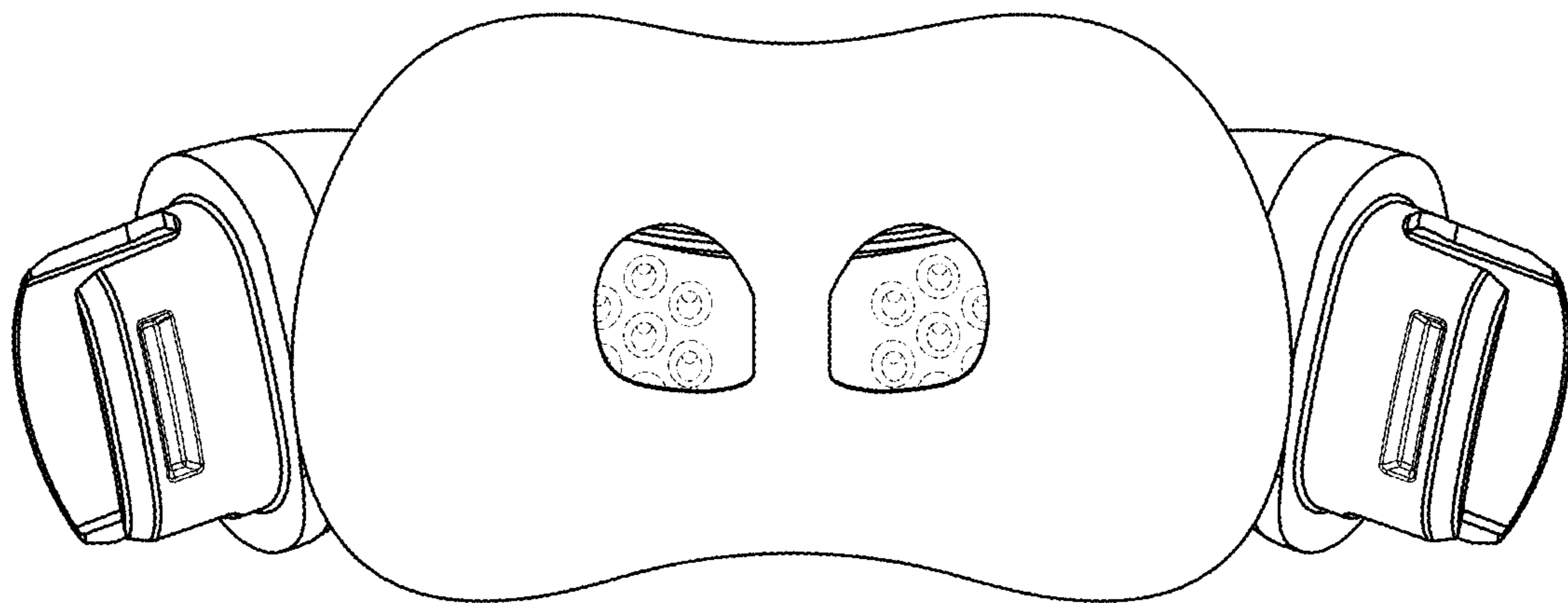




**FIG. 11**



**FIG. 12**



**FIG. 13**

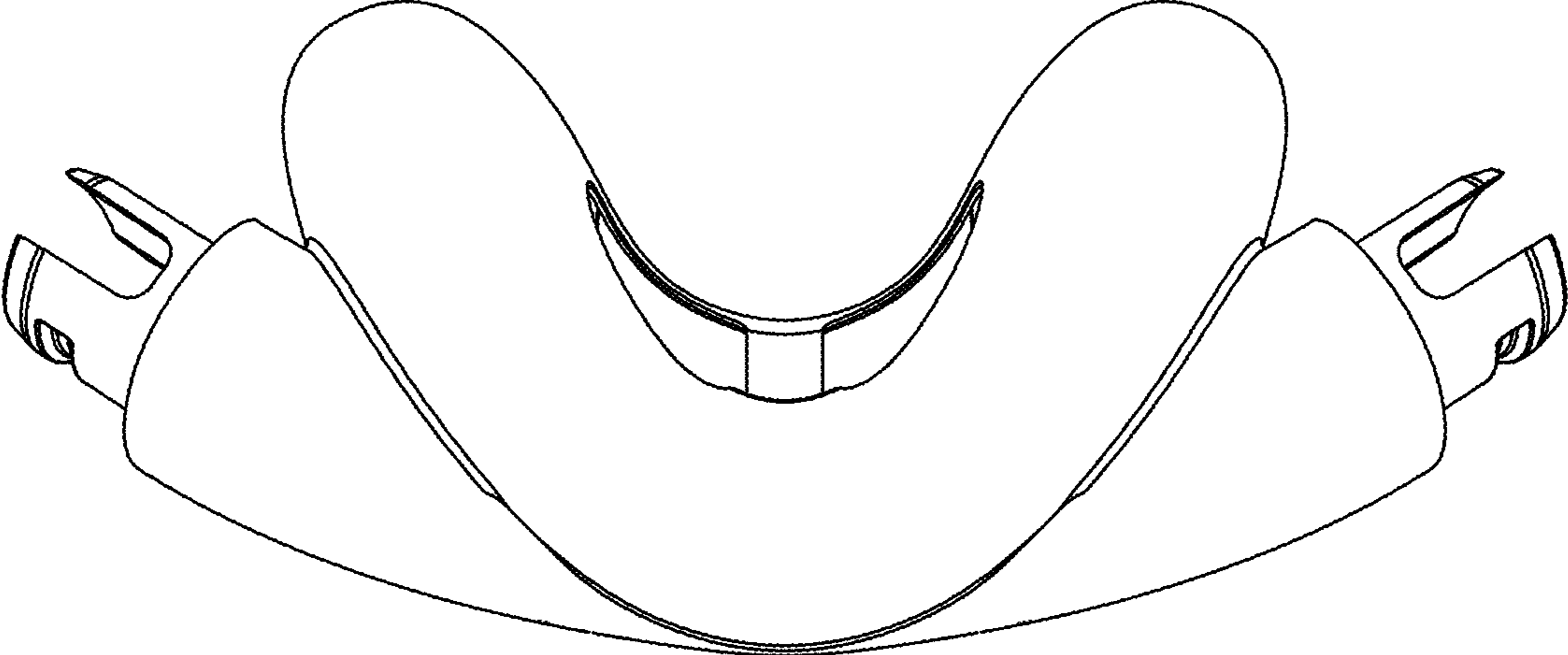


FIG. 14

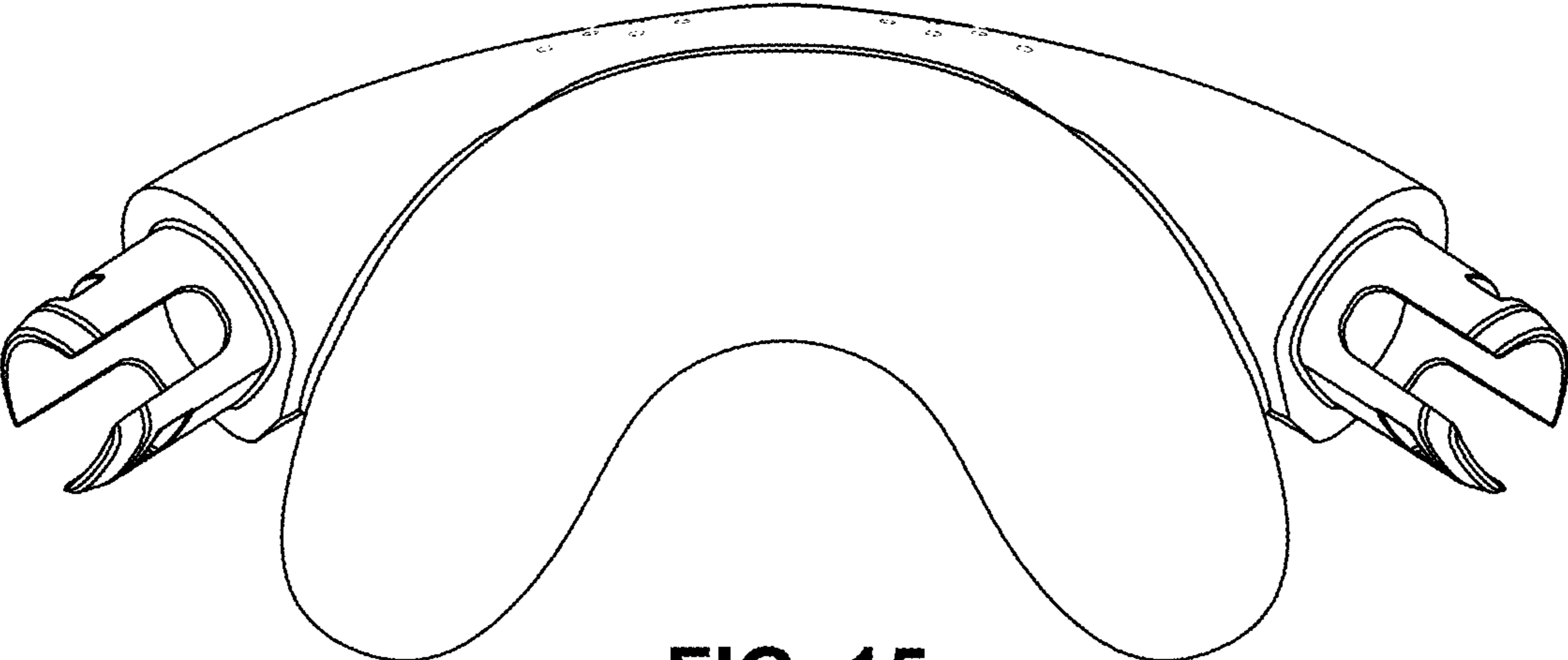
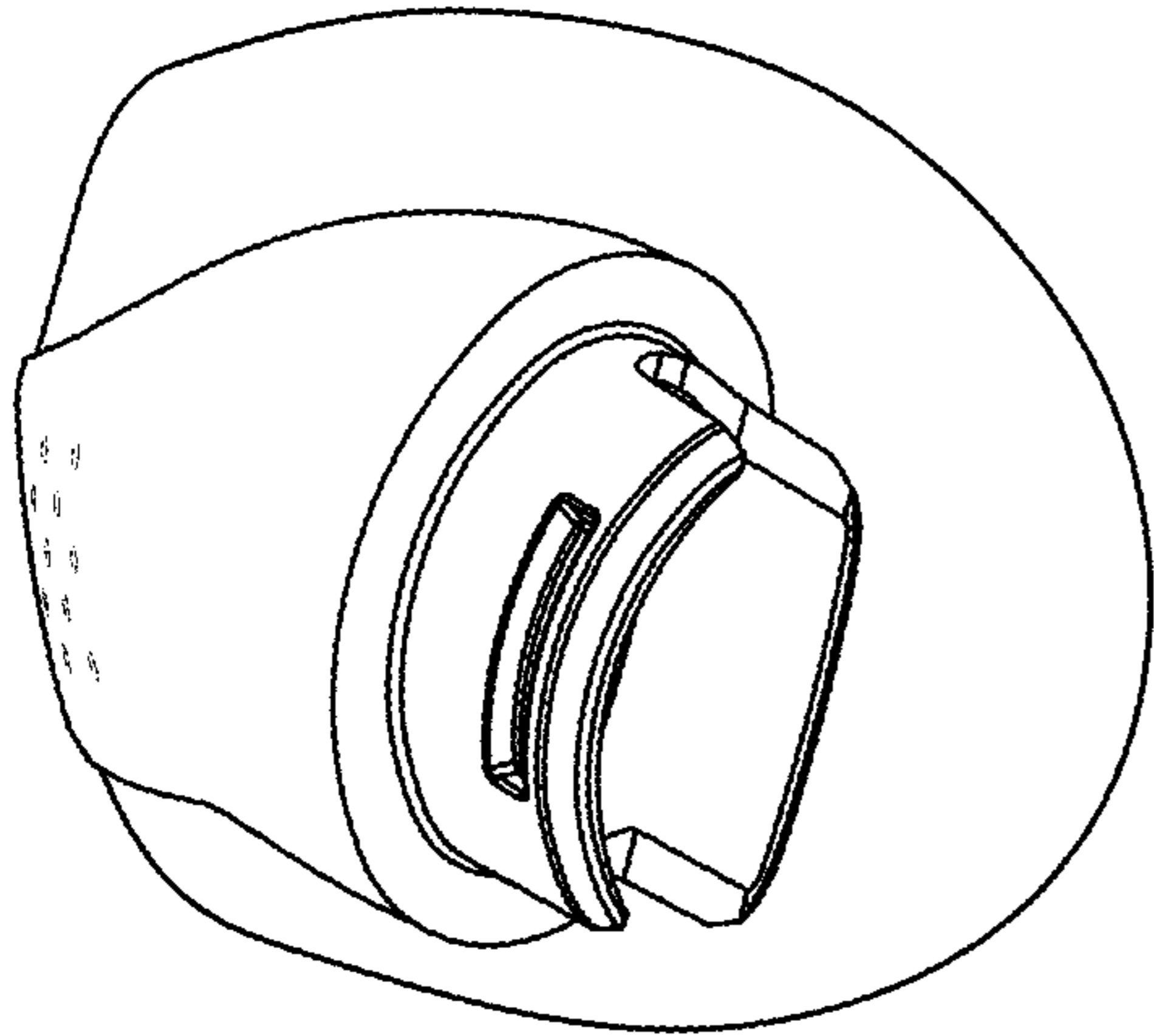
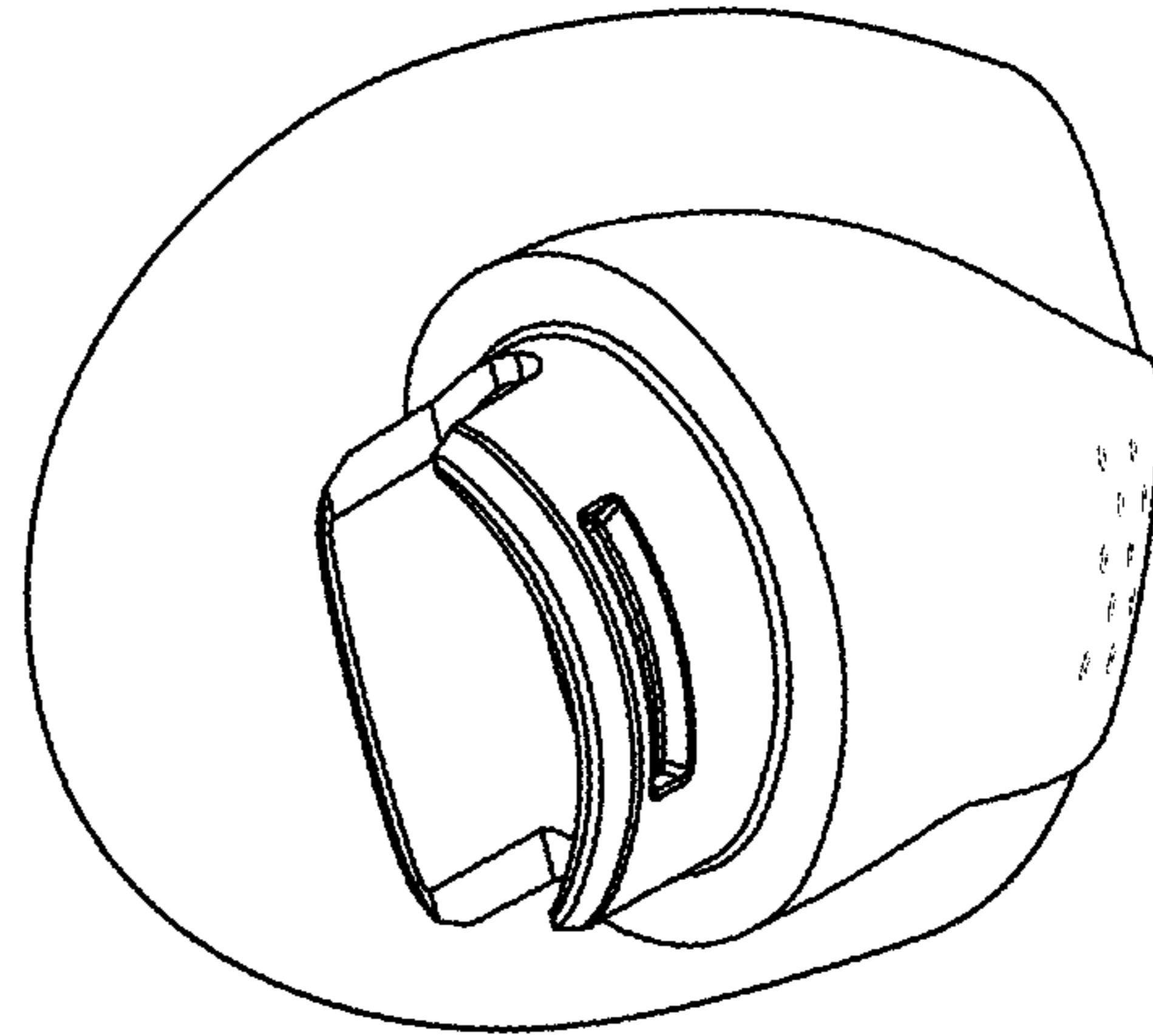


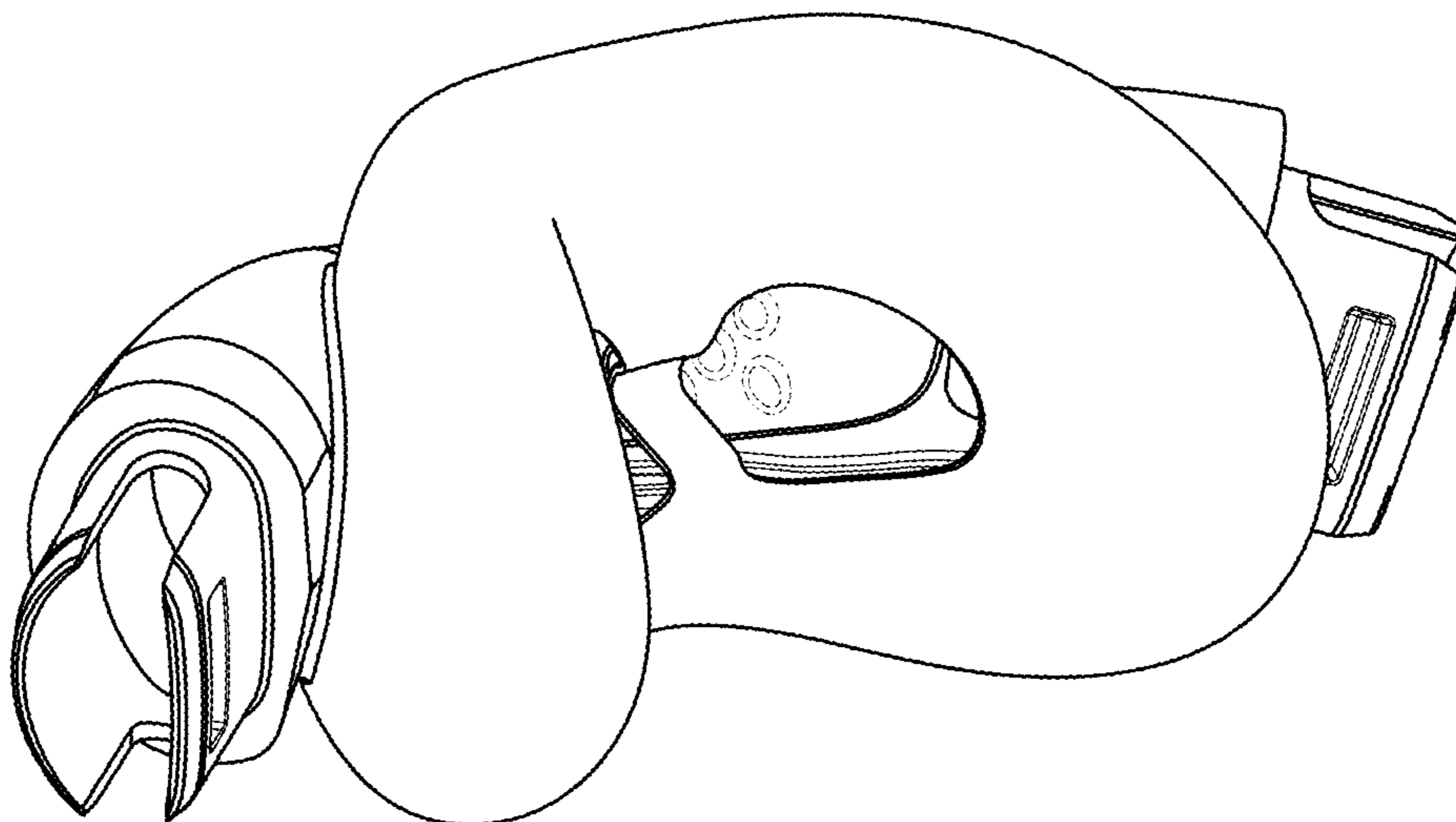
FIG. 15



**FIG. 16**



**FIG. 17**



**FIG. 18**