



US00D942613S

(12) **United States Design Patent**  
**Torbenson**

(10) **Patent No.:** **US D942,613 S**

(45) **Date of Patent:** **\*\* Feb. 1, 2022**

(54) **MASK ASSEMBLY**

(74) *Attorney, Agent, or Firm* — Crawford Maunu PLLC

(71) Applicant: **Steve Gordon Torbenson**, Lakeville, MN (US)

(57) **CLAIM**

The ornamental design for a mask assembly, as shown and described.

(72) Inventor: **Steve Gordon Torbenson**, Lakeville, MN (US)

**DESCRIPTION**

(73) Assignee: **Steve Gordon Torbenson**, Lakeville, MN (US)

(\*\*) Term: **15 Years**

(21) Appl. No.: **29/779,346**

(22) Filed: **Apr. 19, 2021**

**Related U.S. Application Data**

(62) Division of application No. 29/686,962, filed on Apr. 9, 2019, now Pat. No. Des. 919,081.

(51) **LOC (13) Cl.** ..... **29-02**

(52) **U.S. Cl.**  
USPC ..... **D24/110.1**

(58) **Field of Classification Search**  
USPC ..... D24/107–108, 110.1–110.5, 127, 164;  
D29/108, 122

(Continued)

(56) **References Cited**

**U.S. PATENT DOCUMENTS**

D340,317 S \* 10/1993 Cole ..... D24/110.1  
D765,237 S \* 8/2016 Danford ..... D24/110.1

(Continued)

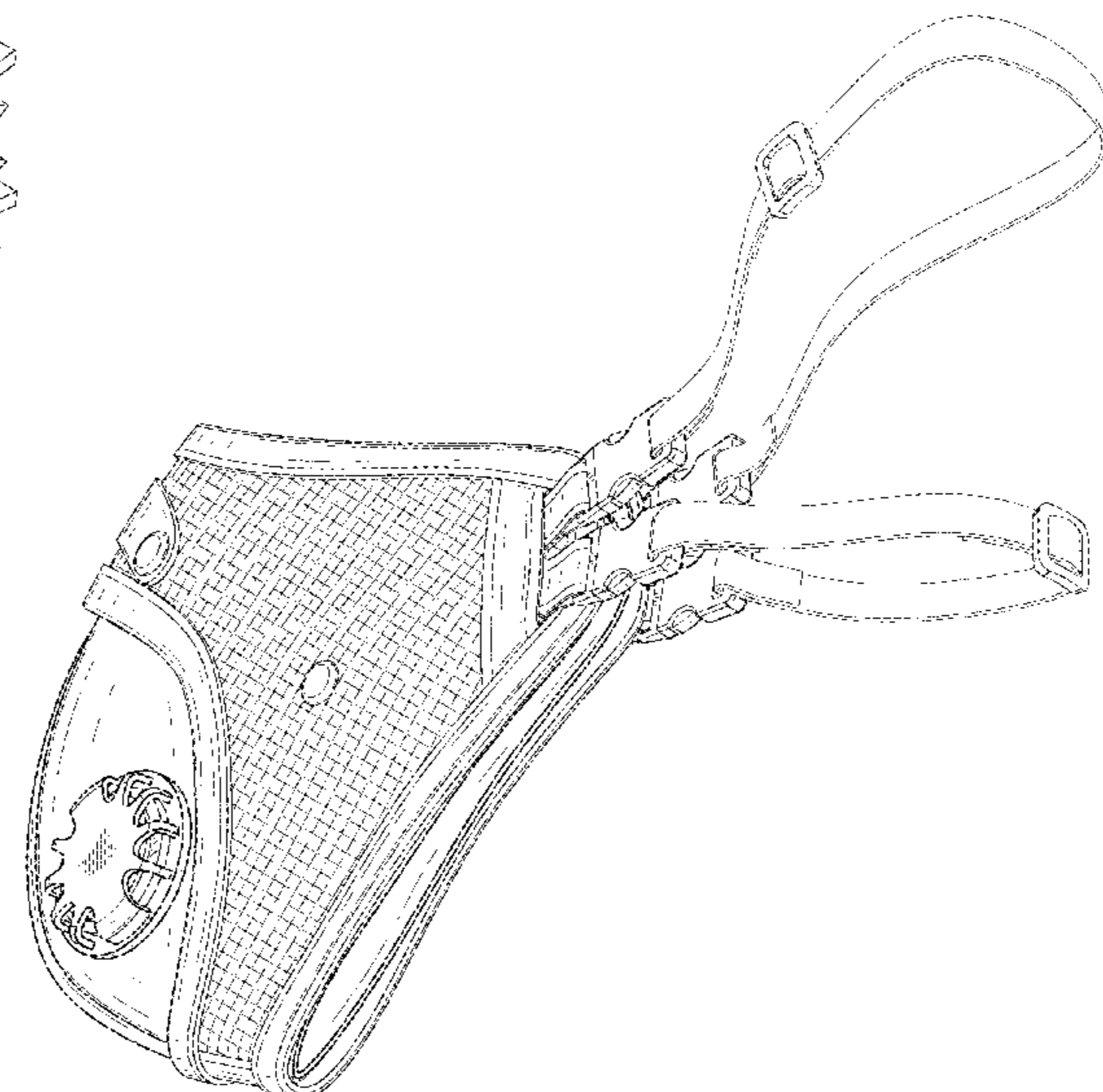
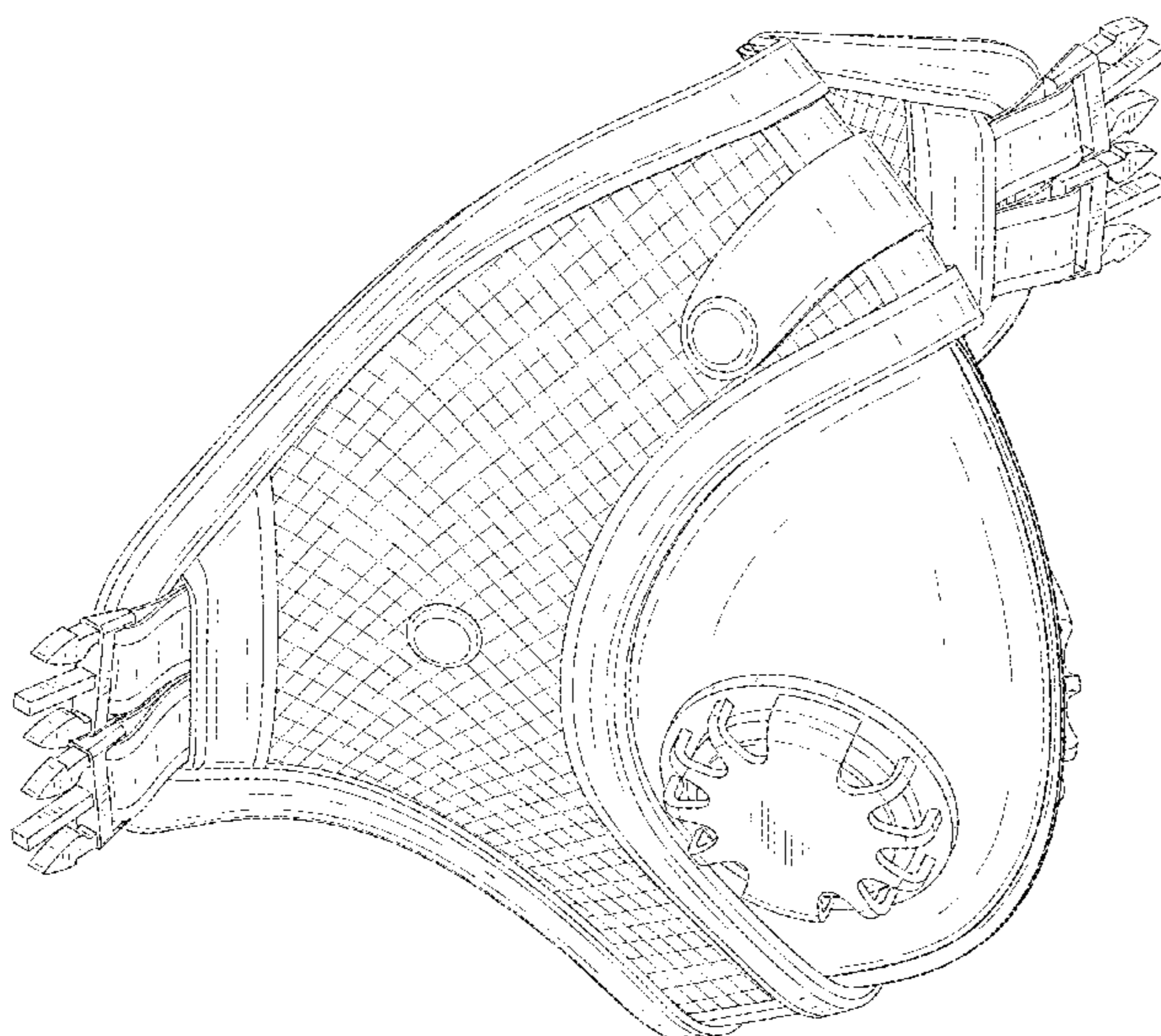
**FOREIGN PATENT DOCUMENTS**

GB 9006967634-0001 \* 10/2019  
GB 9006967634-0002 \* 10/2019

(Continued)

*Primary Examiner* — Lilyana Bekic

**1 Claim, 15 Drawing Sheets**



(58) **Field of Classification Search**

CPC ..... A62B 18/02; A62B 18/025; A62B 23/025;  
 A62B 7/10; A62B 9/02; A63B 23/18;  
 A63B 29/00

See application file for complete search history.

(56) **References Cited**

U.S. PATENT DOCUMENTS

9,579,540 B1 \* 2/2017 Danford ..... A63B 21/0004  
 10,434,341 B1 \* 10/2019 Torbenson ..... A62B 18/00  
 10,798,979 B2 \* 10/2020 Hosmer ..... A41D 13/1161  
 D919,081 S \* 5/2021 Torbenson ..... D24/110.1  
 2002/0162556 A1 \* 11/2002 Smith ..... A61B 5/6803  
 128/207.12  
 2003/0154984 A1 \* 8/2003 Fernandes ..... A62B 23/025  
 D24/110.1  
 2010/0018533 A1 \* 1/2010 Biedermann ..... D06M 16/00  
 128/206.19  
 2010/0101584 A1 \* 4/2010 Bledstein ..... A62B 18/10  
 128/863

2012/0247474 A1 \* 10/2012 Torbenson ..... A62B 18/086  
 128/206.15  
 2013/0319420 A1 \* 12/2013 Danford ..... A63B 21/0004  
 128/206.21  
 2015/0053206 A1 \* 2/2015 Seppala ..... A62B 18/025  
 128/202.27  
 2016/0129287 A1 \* 5/2016 Danford ..... A62B 23/025  
 128/863  
 2017/0172137 A1 \* 6/2017 Wynalda, Jr. .... A62B 9/02  
 2018/0264294 A1 \* 9/2018 Hancock ..... A41D 13/1138  
 2018/0280758 A1 \* 10/2018 Tao ..... A63B 21/00058  
 2019/0166929 A1 \* 6/2019 Bergman ..... A62B 18/10  
 2020/0114179 A1 \* 4/2020 Torbenson ..... A62B 18/025  
 2020/0298032 A1 \* 9/2020 Torbenson ..... A41D 13/1107

FOREIGN PATENT DOCUMENTS

GB 9006967634-0003 \* 10/2019  
 GB 9006967634-0004 \* 10/2019  
 GB 9006967634-0005 \* 10/2019

\* cited by examiner

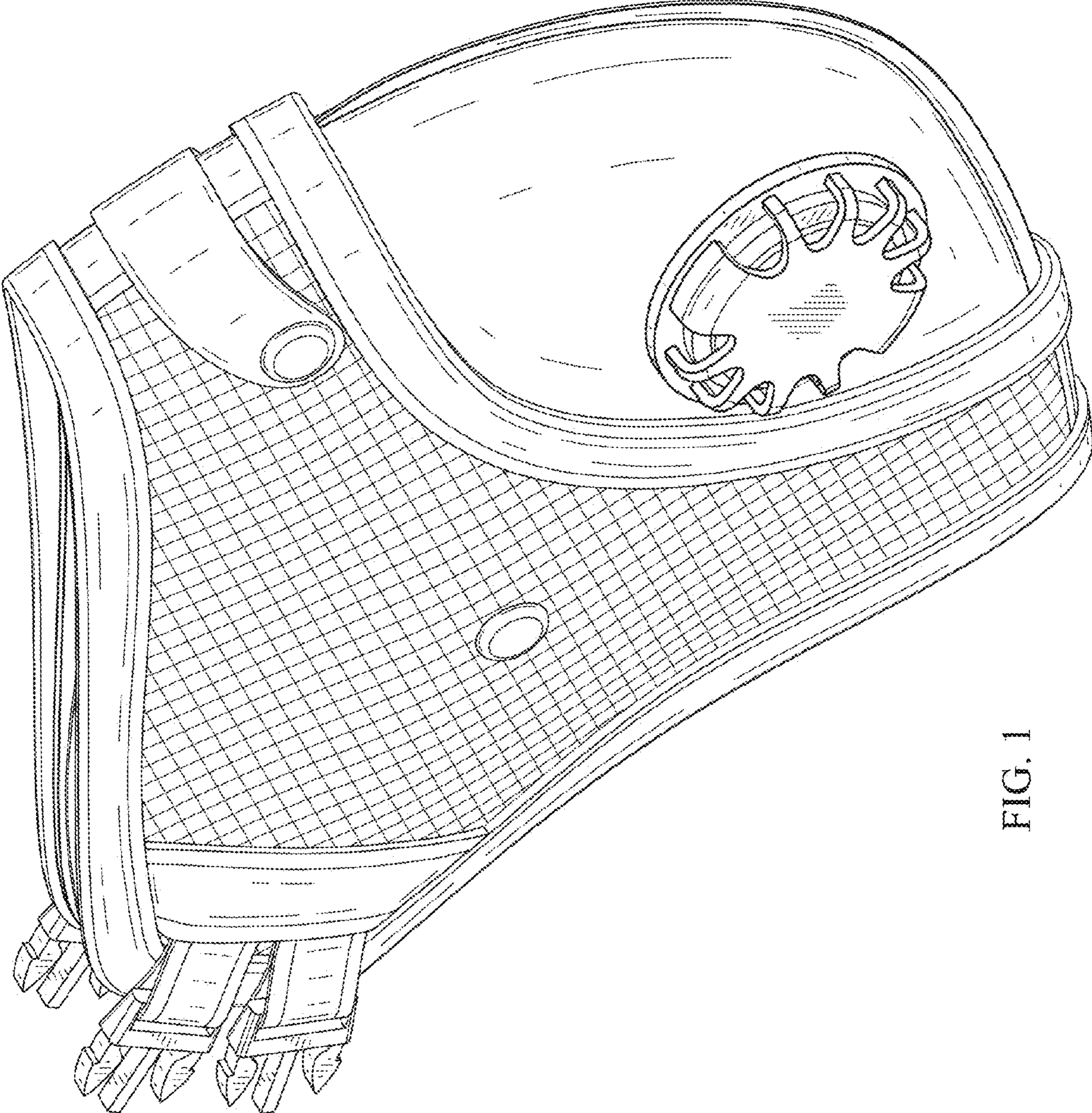


FIG. 1

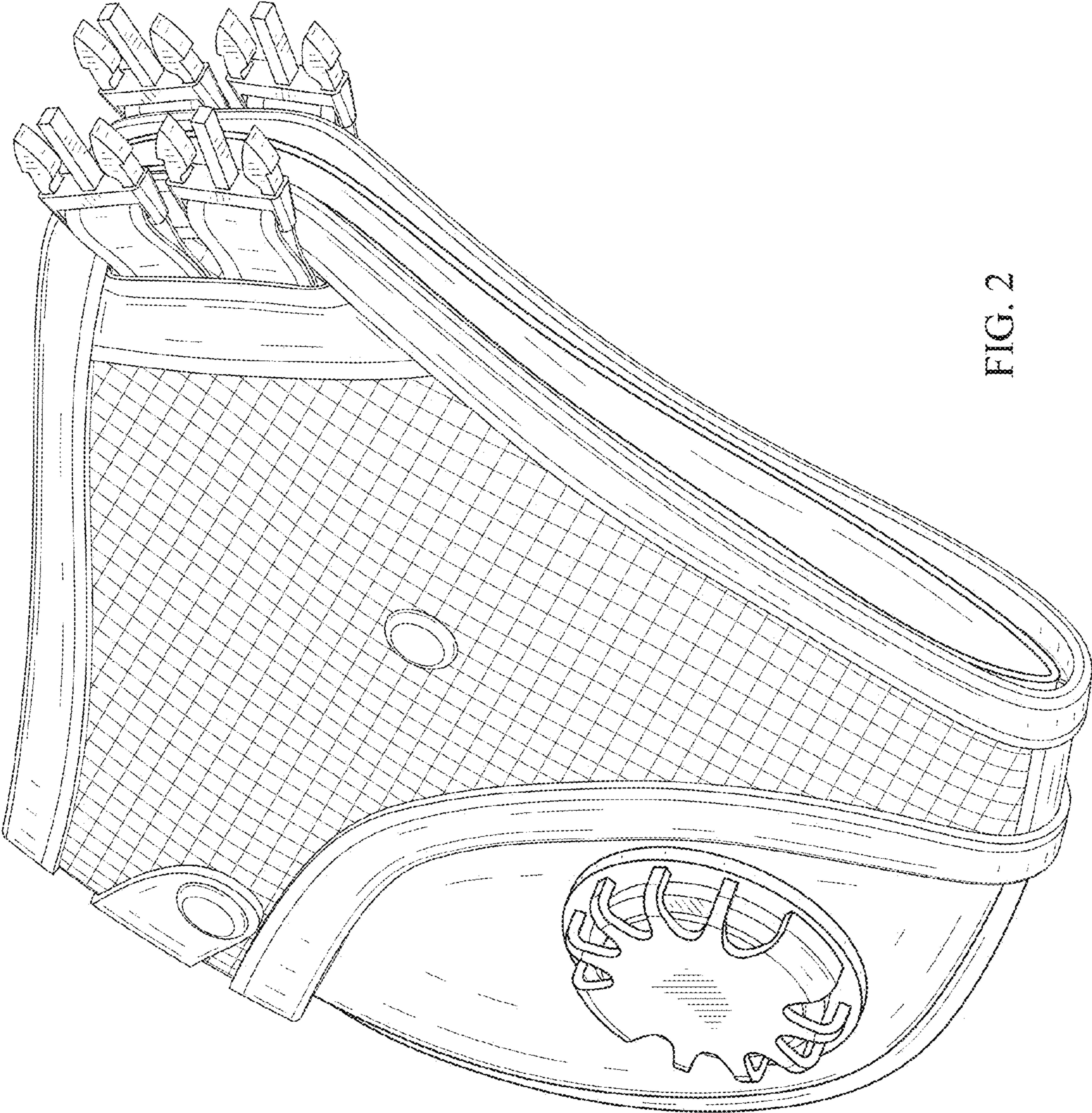


FIG. 2

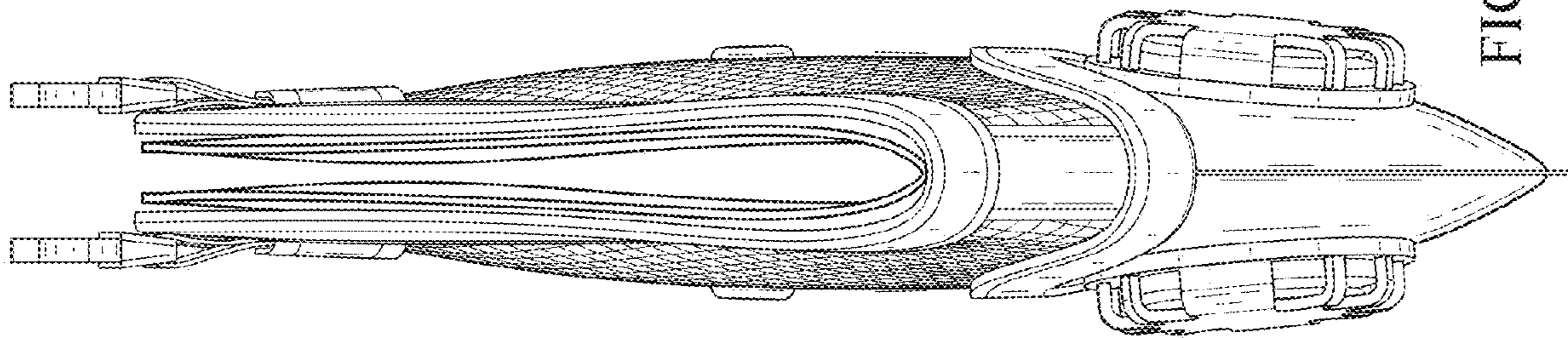


FIG. 4

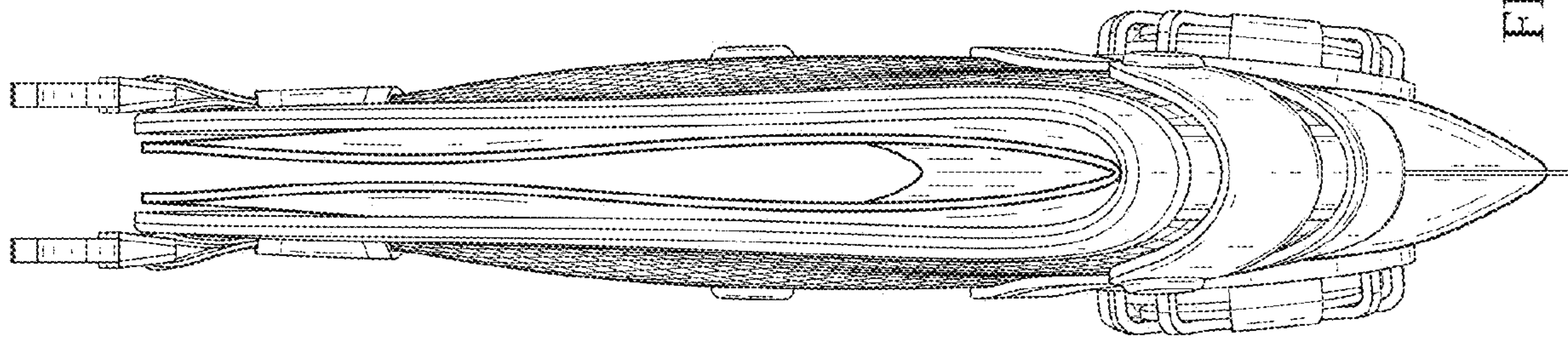


FIG. 3

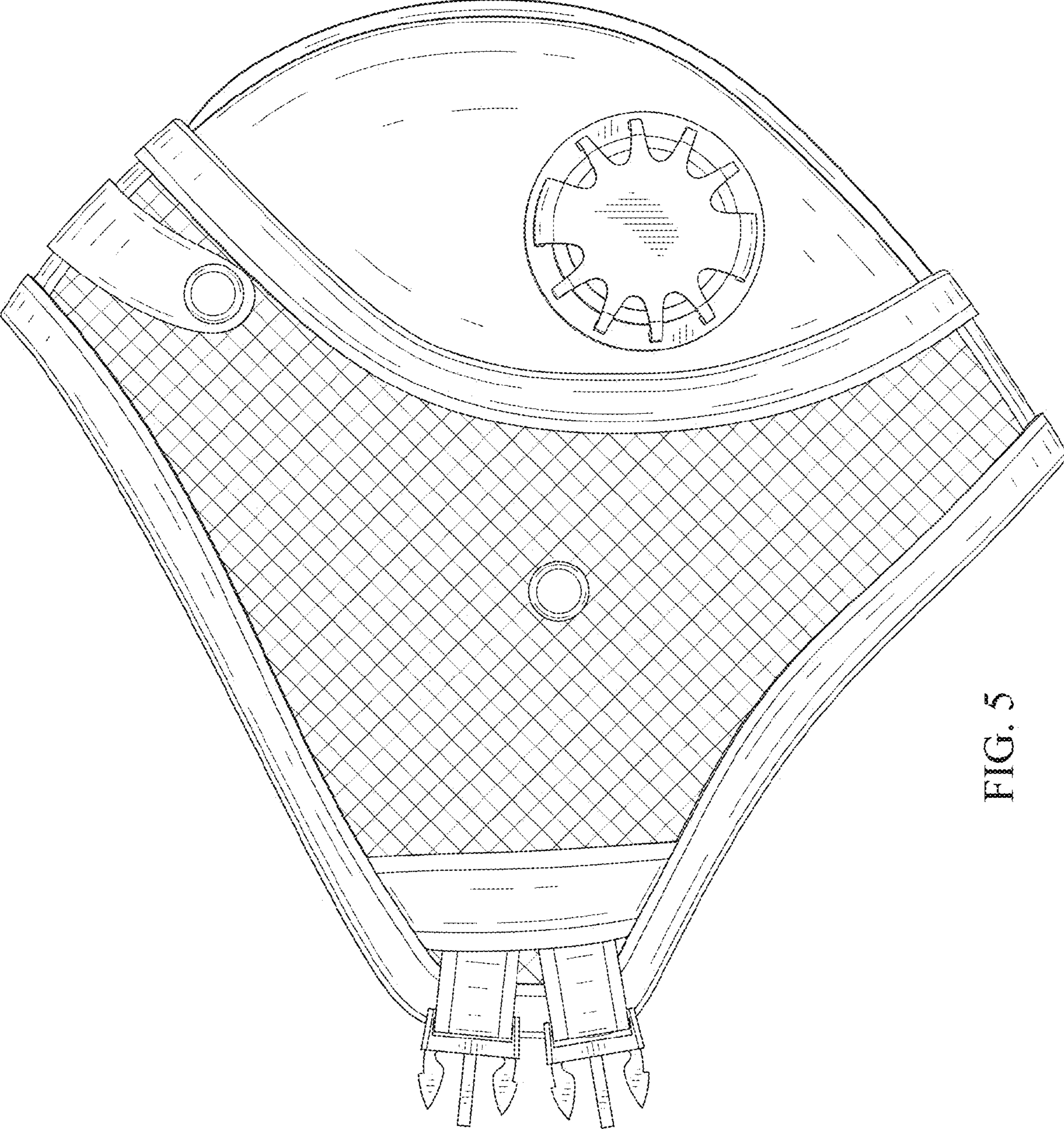


FIG. 5

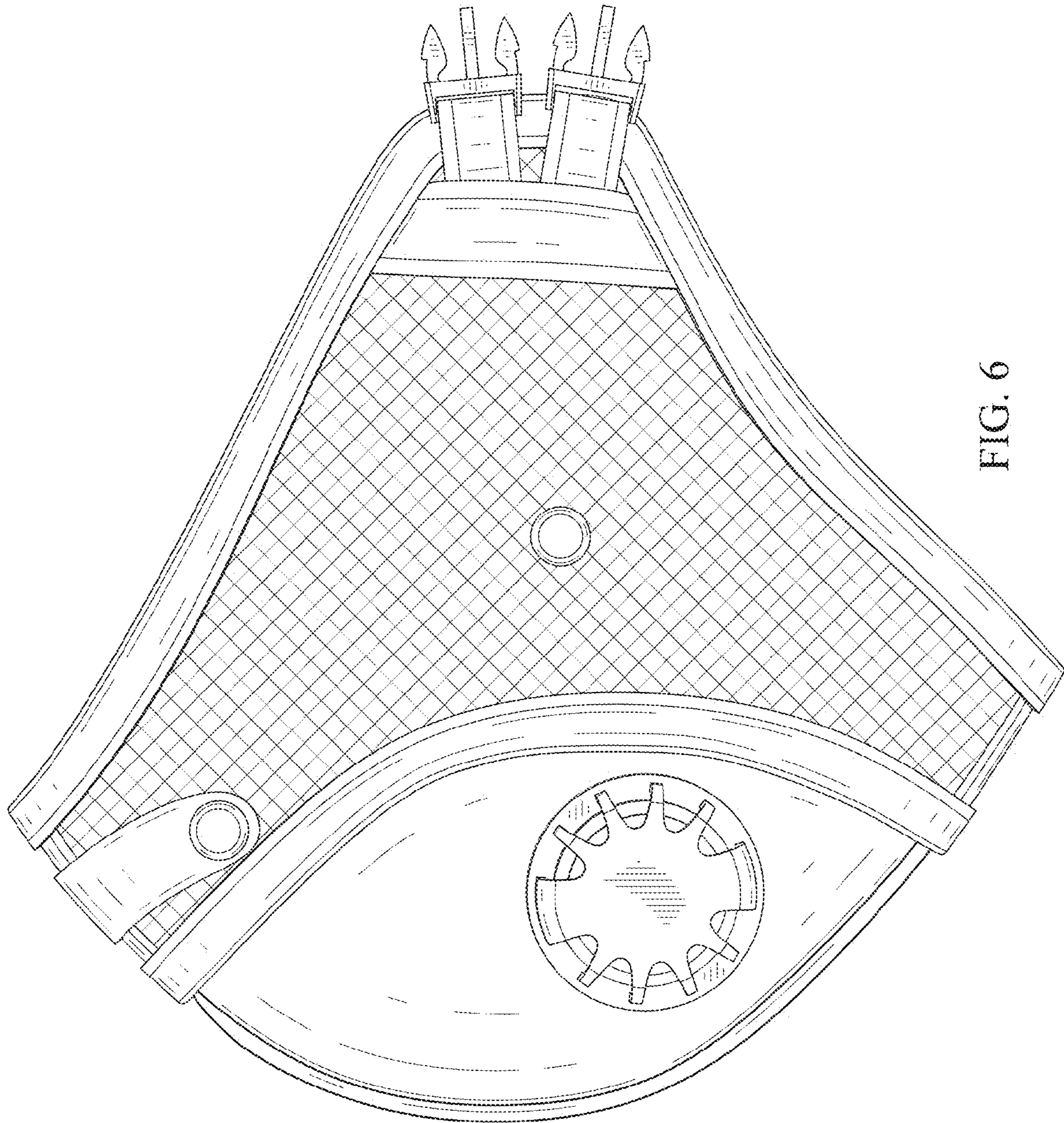


FIG. 6

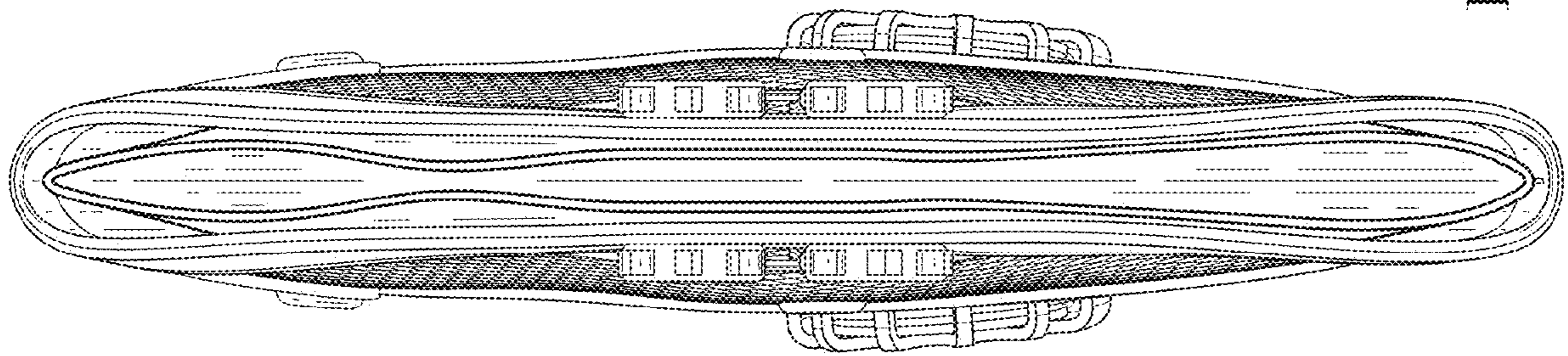


FIG. 8

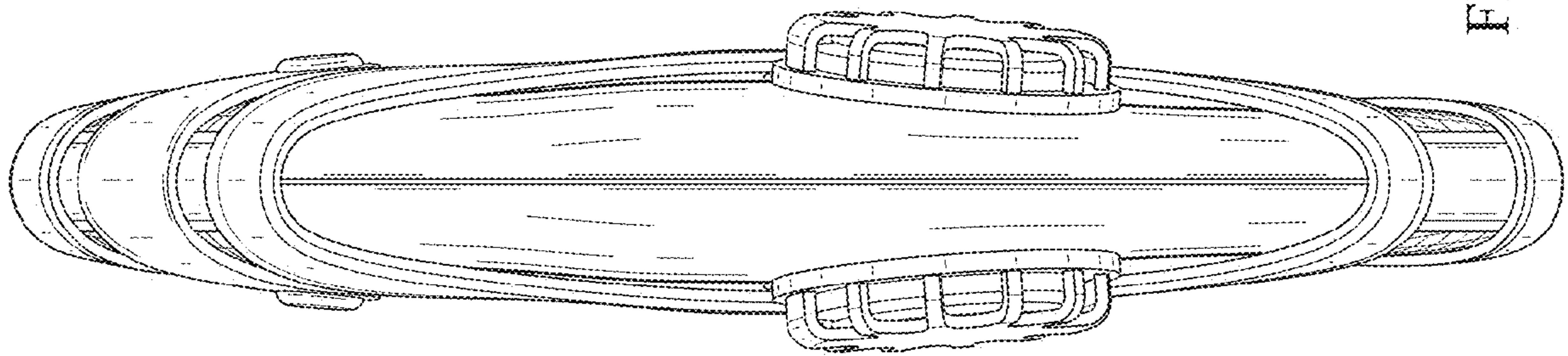


FIG. 7



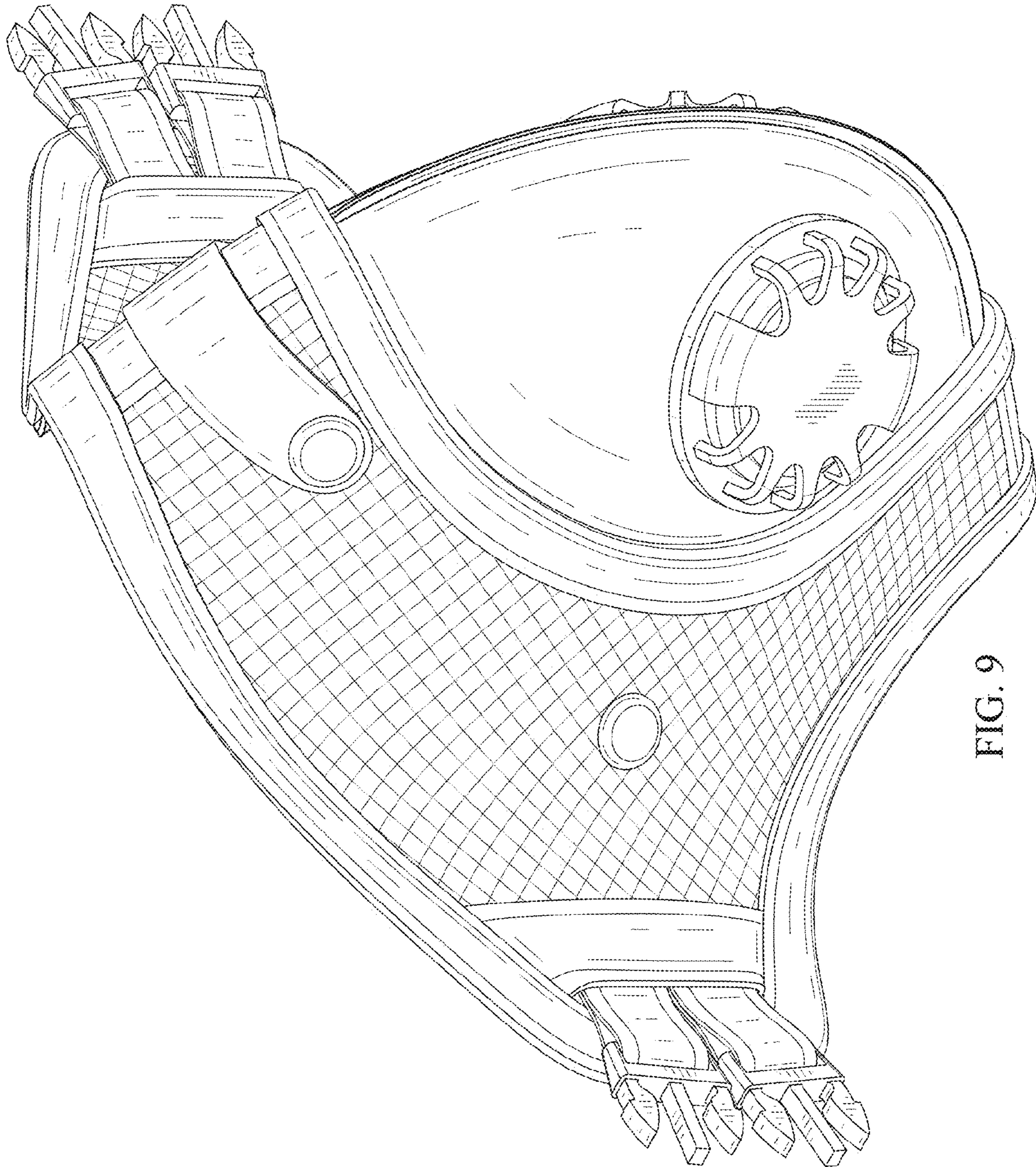


FIG. 9

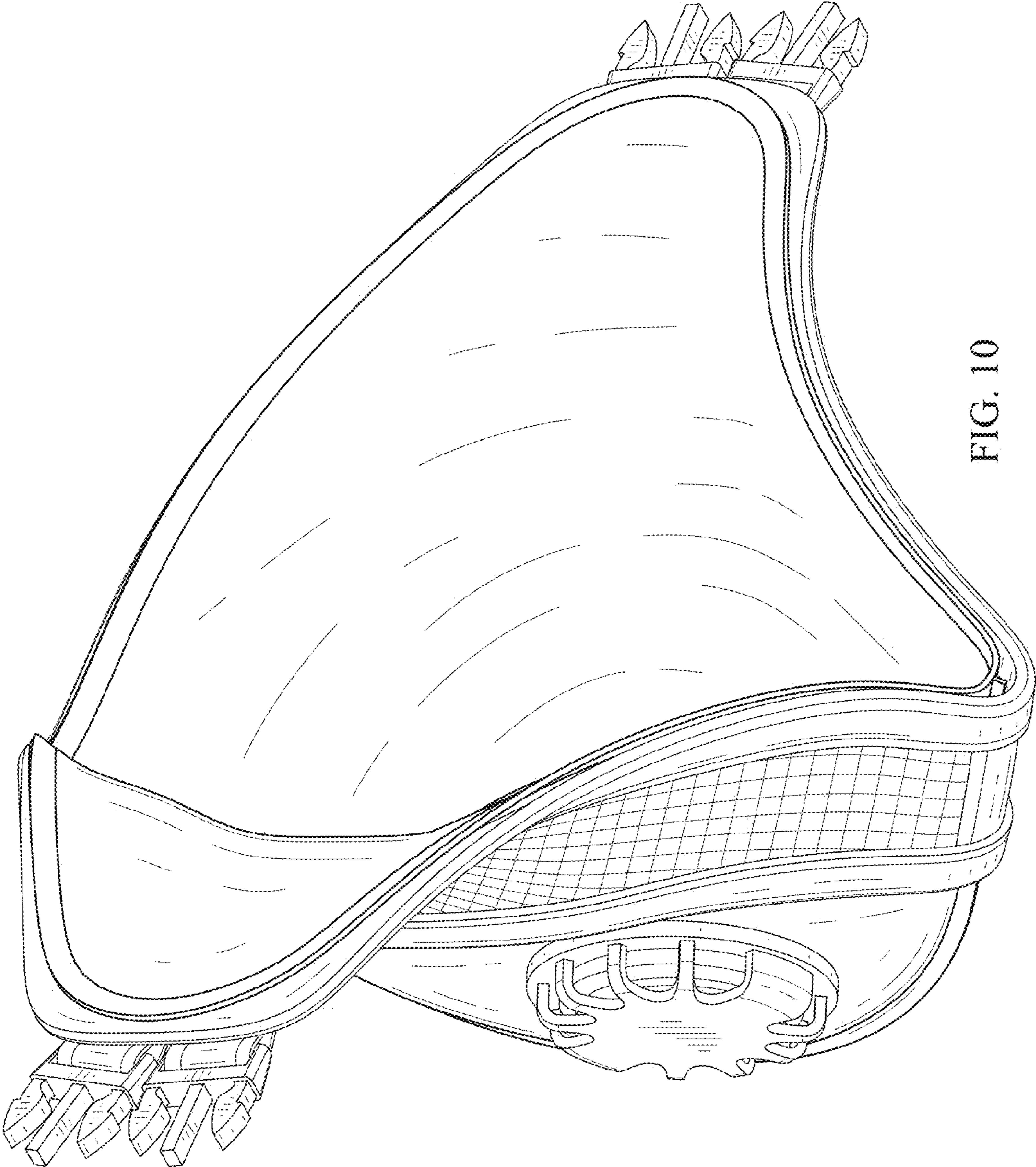


FIG. 10

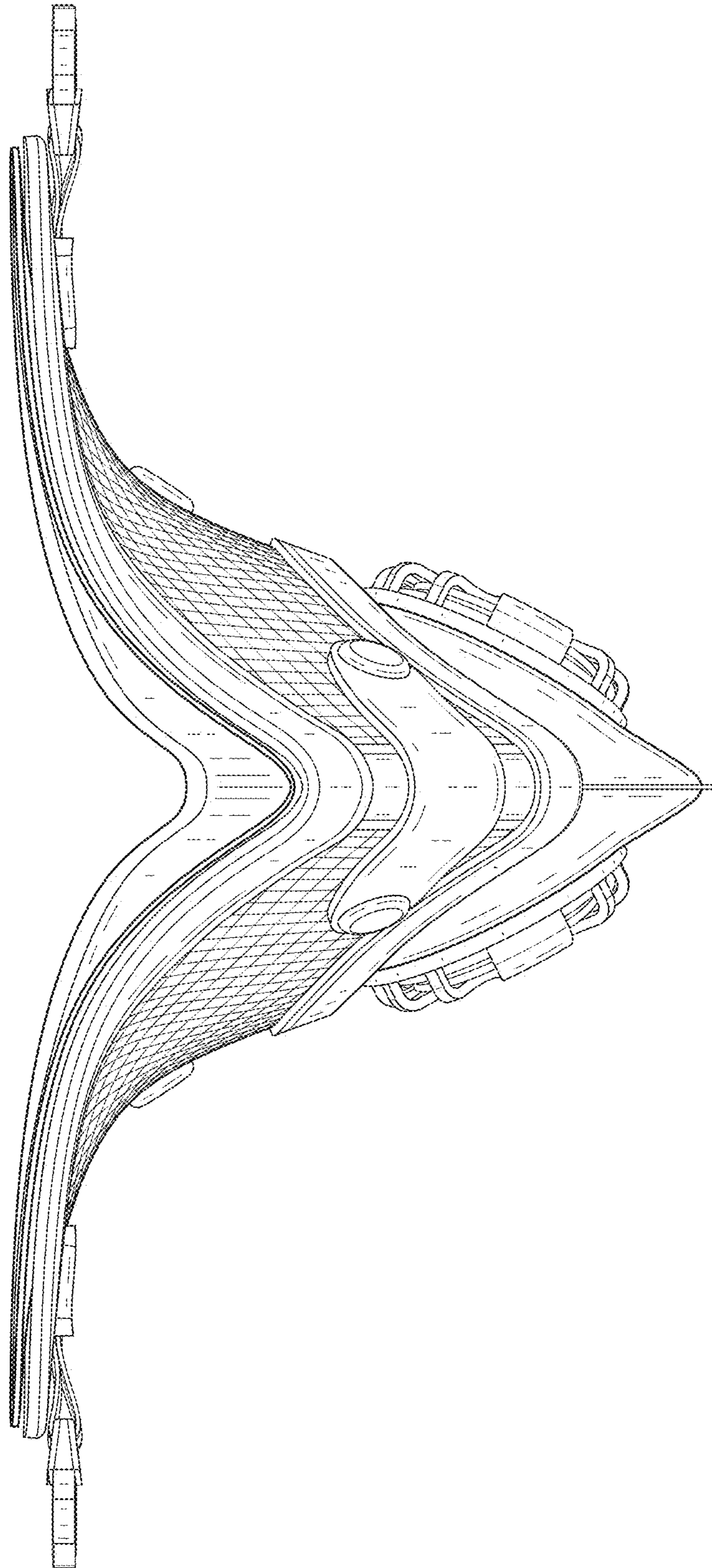


FIG. 11

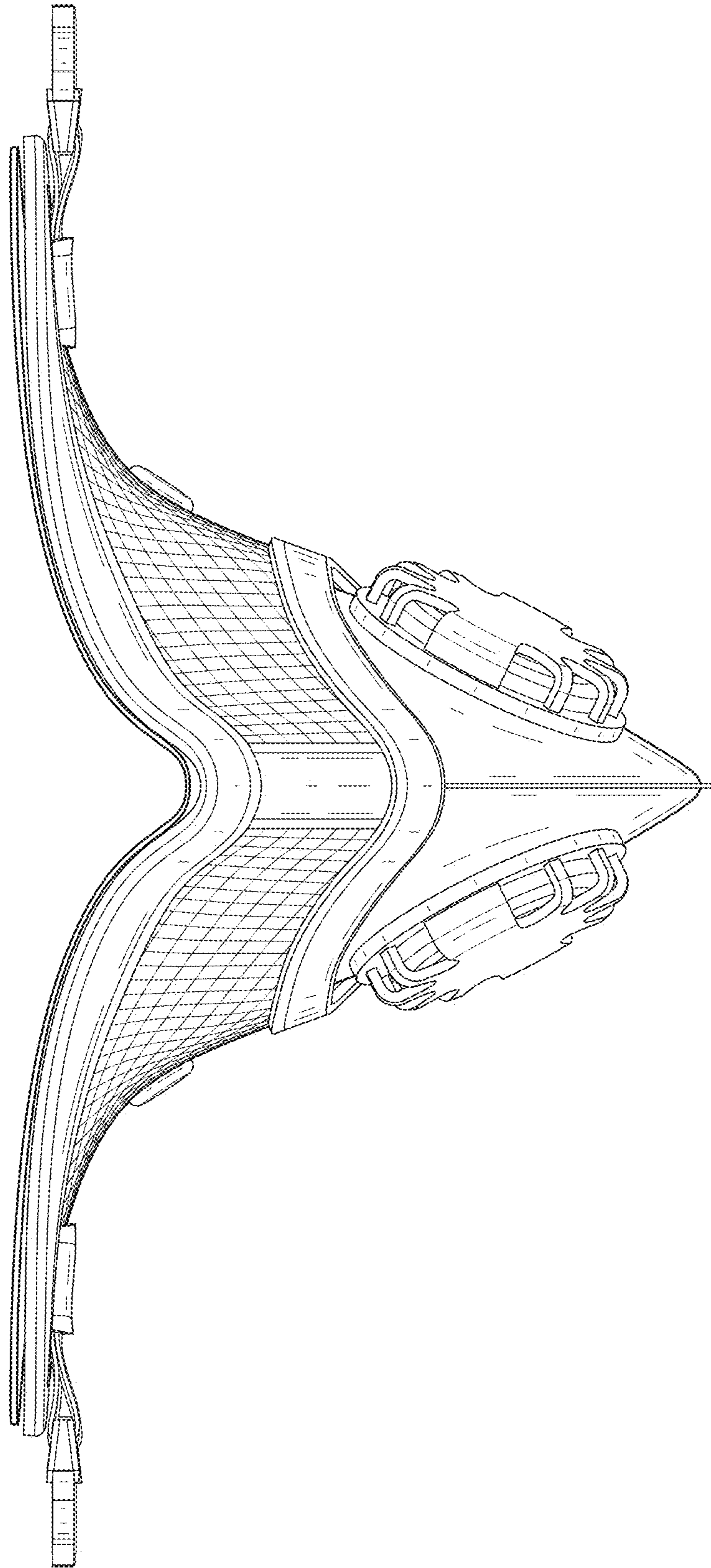


FIG. 12

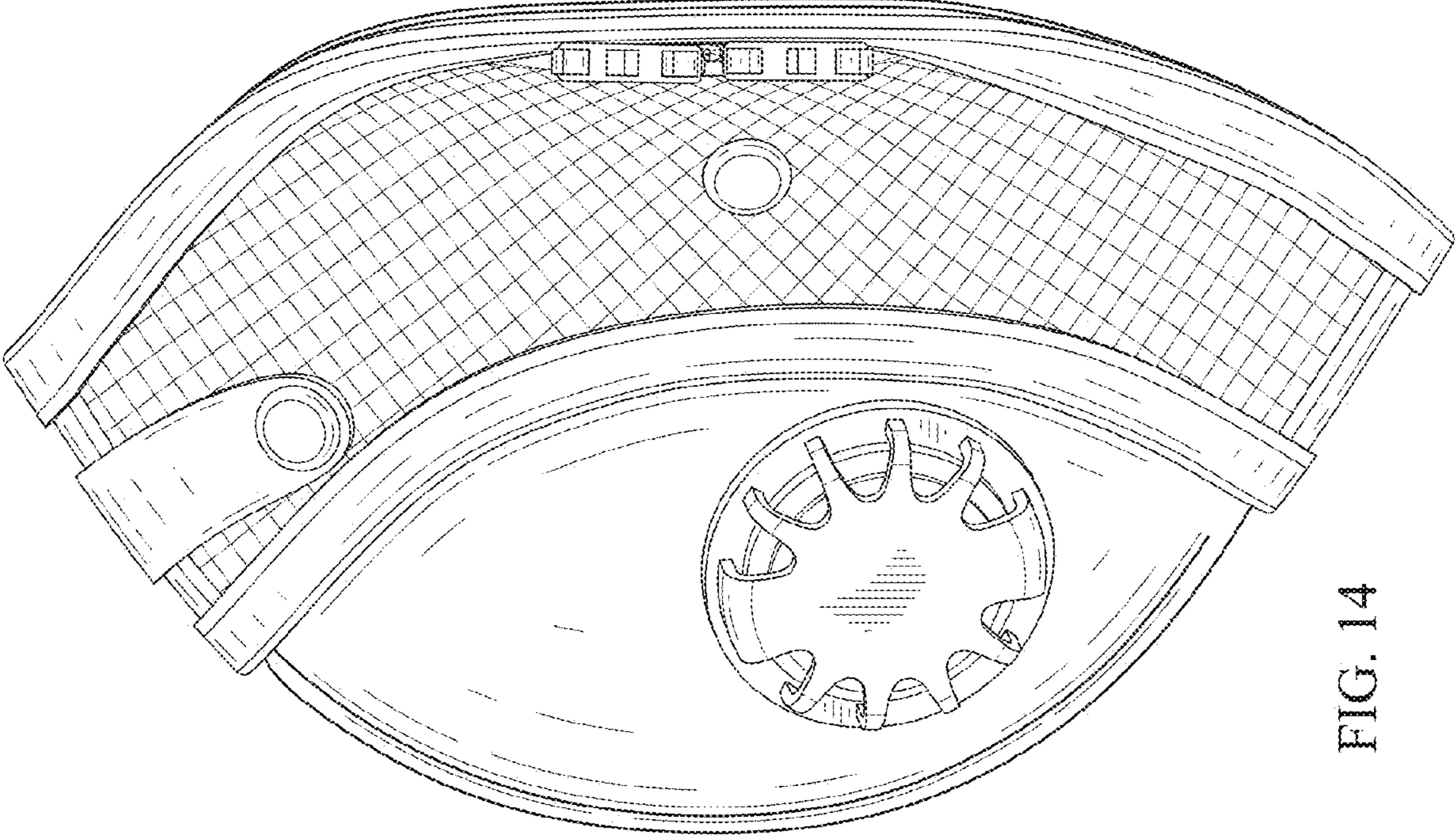


FIG. 14

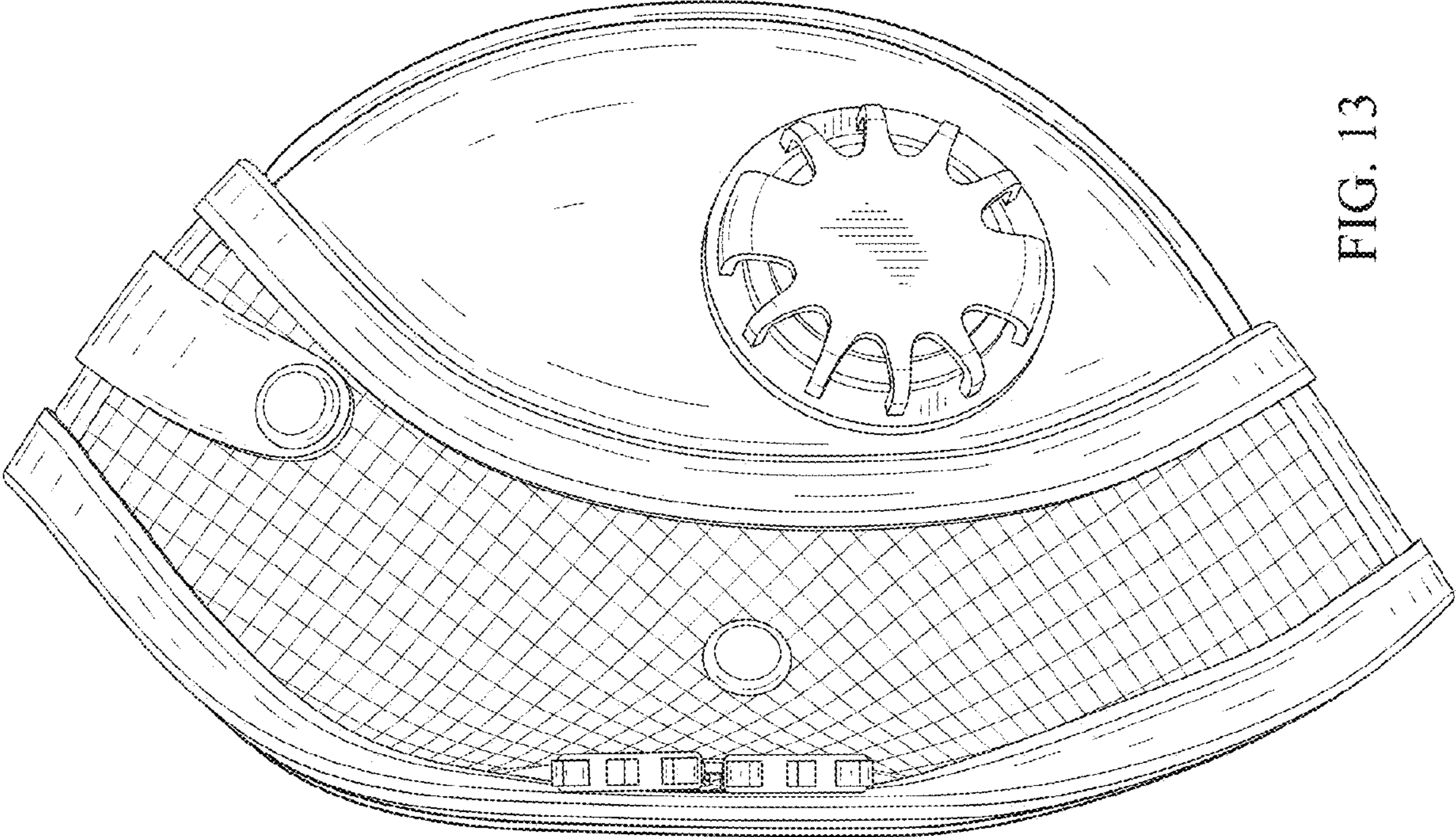


FIG. 13

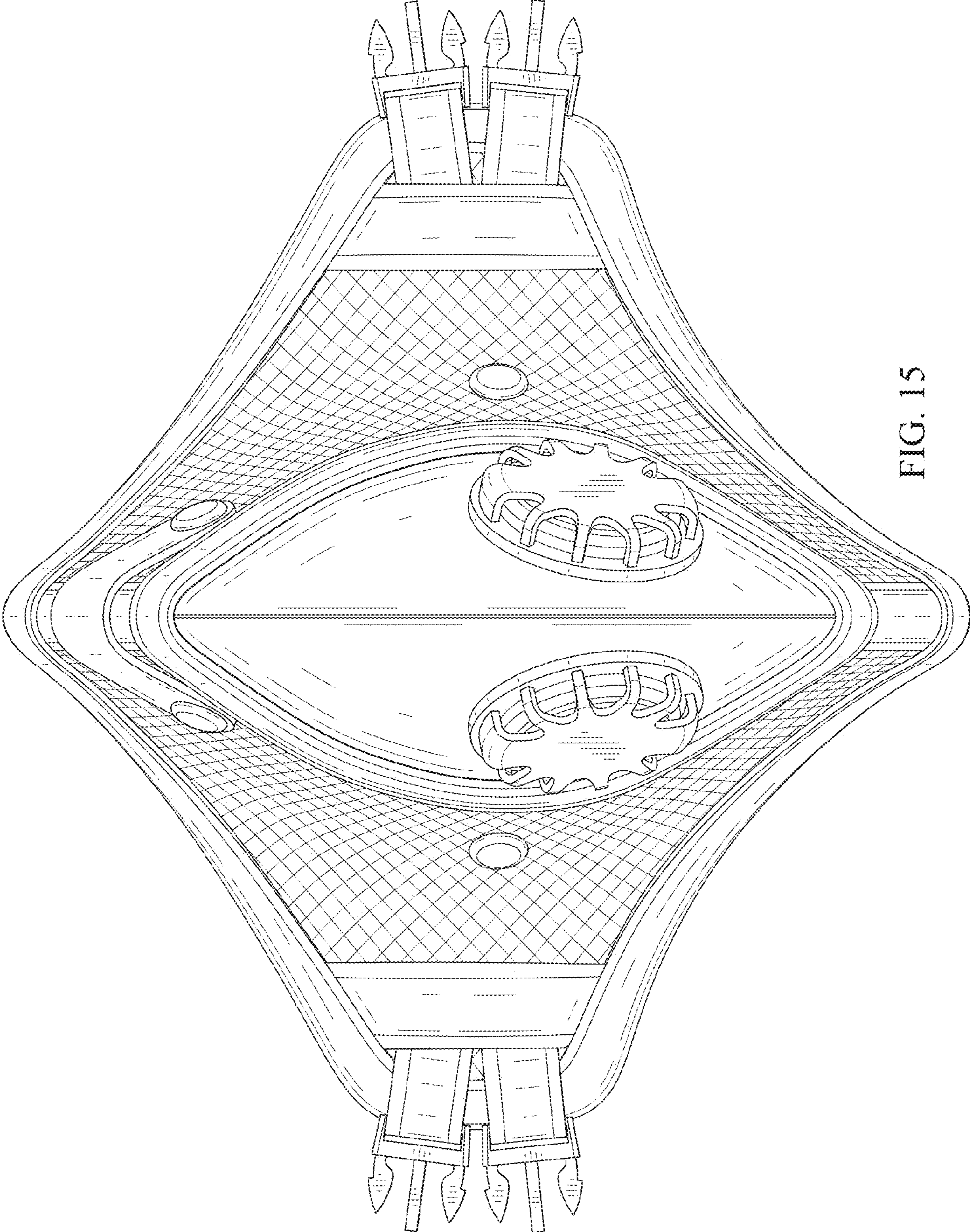


FIG. 15

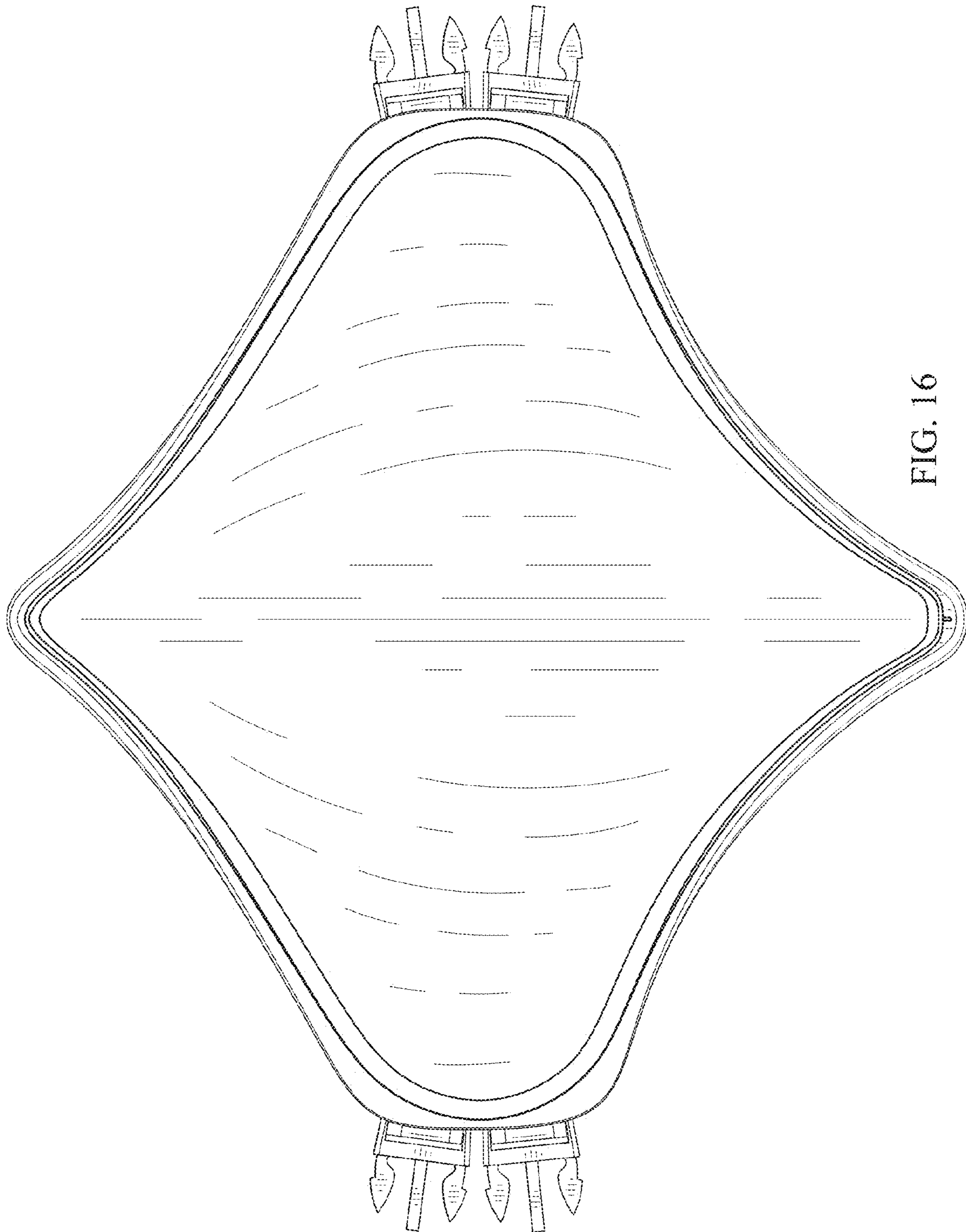


FIG. 16

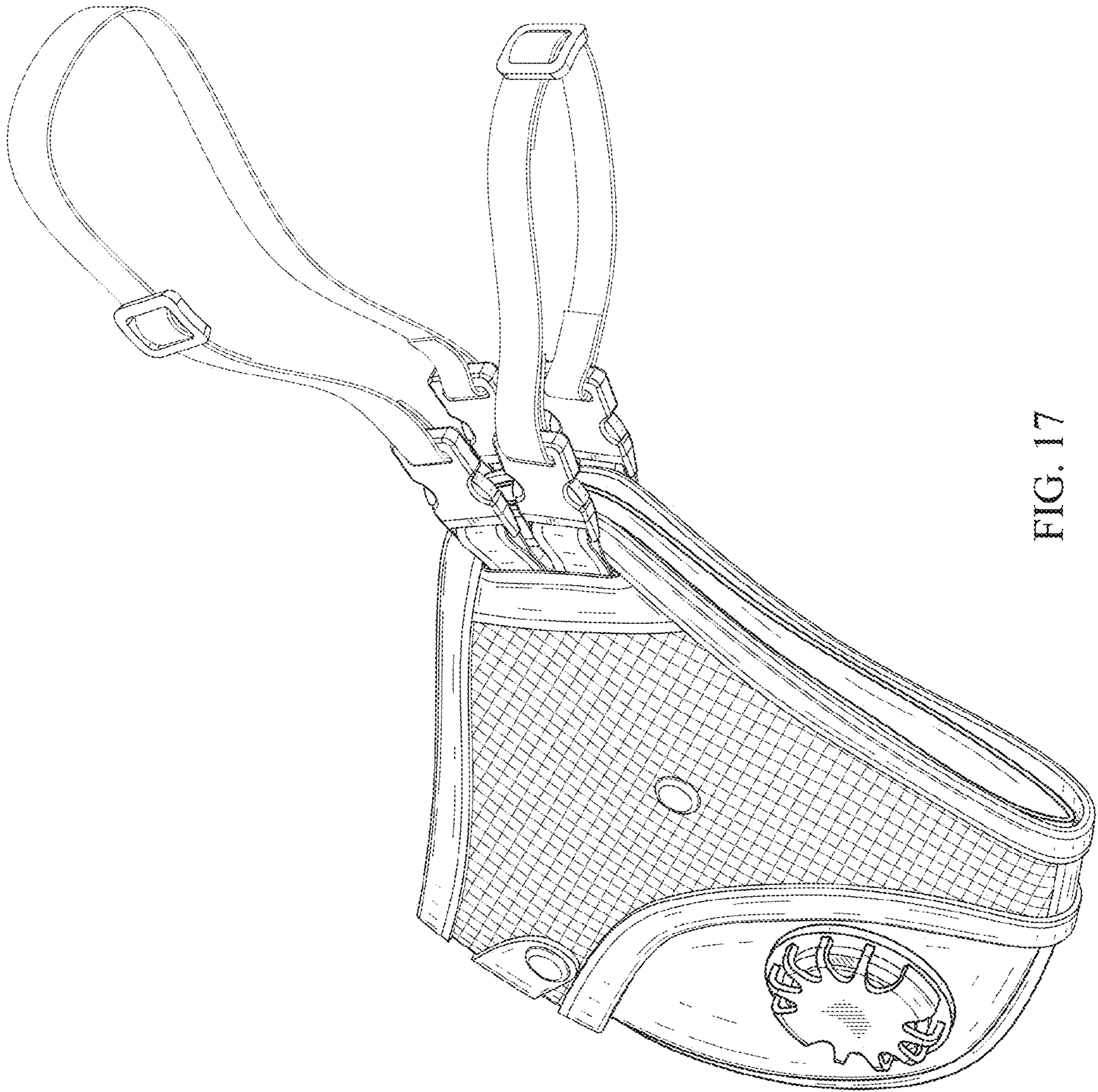


FIG. 17



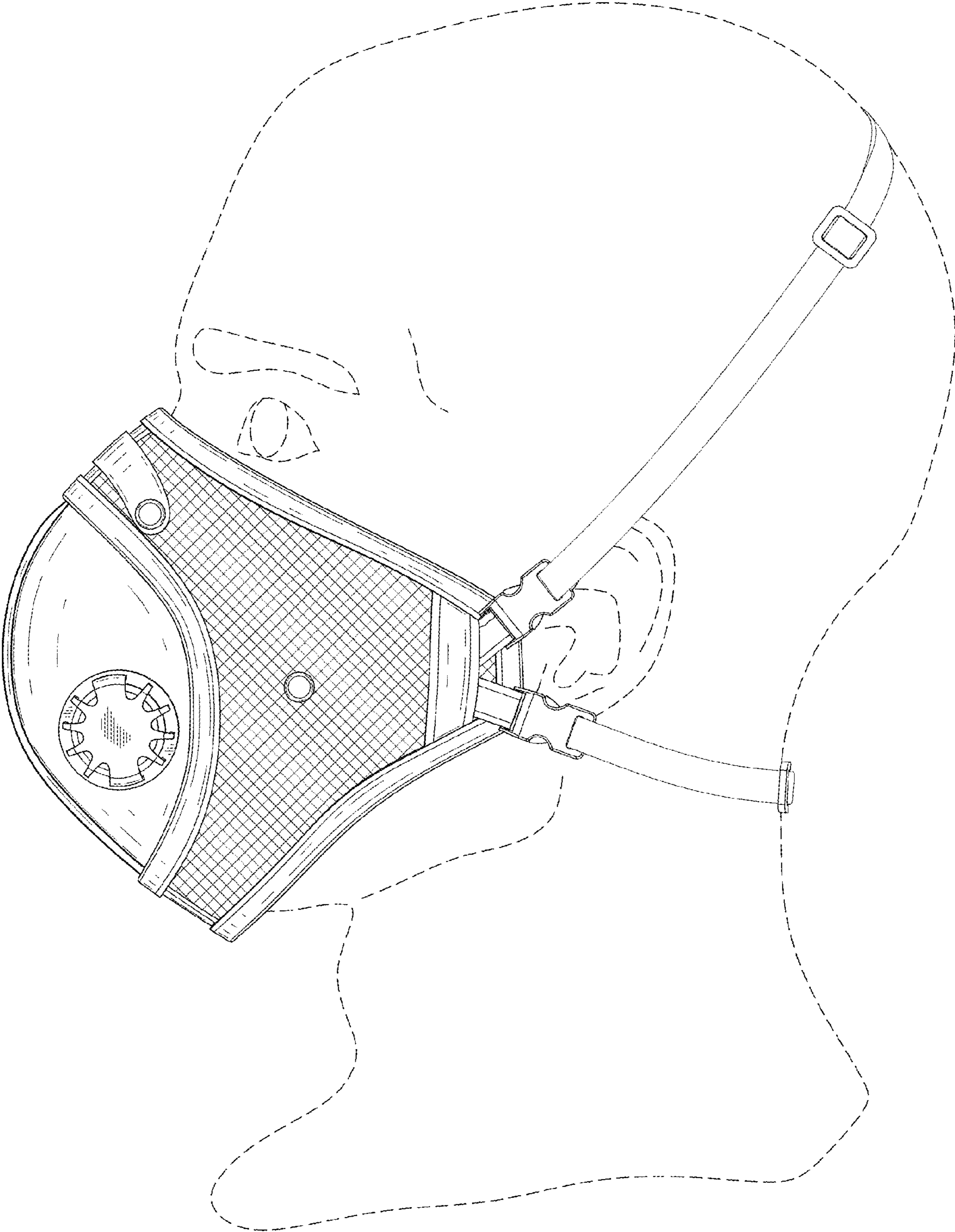


FIG. 18