

US00D942612S

(12) **United States Design Patent** (10) **Patent No.:** **US D942,612 S**
Neuner (45) **Date of Patent:** **** Feb. 1, 2022**

(54) **MASK**

FOREIGN PATENT DOCUMENTS

(71) Applicant: **Robert Neuner**, Milford, CT (US)

CN 304568708 * 11/2017

(72) Inventor: **Robert Neuner**, Milford, CT (US)

OTHER PUBLICATIONS

(**) Term: **15 Years**

Facebook post, 1 page, 4 photos, on Mar. 3, 2017 by user PRO2 Oxygen. Retrieval date: Apr. 22, 2021. Retrieved from internet: <https://www.facebook.com/pg/pro2oxygen/posts/> (Year: 2017).*
Boost Oxygen Medium Natural, 5 liter. CVS.com. Oldest review date: Dec. 17, 2019. Retrieval date: Apr. 22, 2021. Retrieved from internet: <https://www.cvs.com/shop/boost-oxygen-medium-natural-5-liter-prodid-2330023> (Year: 2019).*

(21) Appl. No.: **29/730,766**

(22) Filed: **Apr. 8, 2020**

(51) **LOC (13) Cl.** **29-02**

(52) **U.S. Cl.**
USPC **D24/110.1**

* cited by examiner

(58) **Field of Classification Search**
USPC D24/110, 110.1–110.6, 162, 231, 203;
D29/102, 106–108, 110
CPC . A41D 13/11; A41D 13/1107; A41D 13/1115;
A41D 13/1113; A41D 13/1138; A41D
13/1146; A41D 13/1161; A41D 2400/52;
A62B 23/00; A62B 23/02; A62B 23/025;
A62B 18/02; A62B 18/025; A62B
18/084; A62B 18/086; A62B 18/10
See application file for complete search history.

Primary Examiner — Lilyana Bekic

Assistant Examiner — Lee D. Starr

(74) *Attorney, Agent, or Firm* — Michael A. Blake

(57) **CLAIM**

The ornamental design for a mask, as shown and described.

DESCRIPTION

FIG. 1 is a perspective view of a mask;
FIG. 2 is a front view of the mask;
FIG. 3 is a rear view of the mask;
FIG. 4 is a right side view of the mask;
FIG. 5 is a left side view of the mask;
FIG. 6 is a top view of the mask; and,
FIG. 7 is a bottom view of the mask.

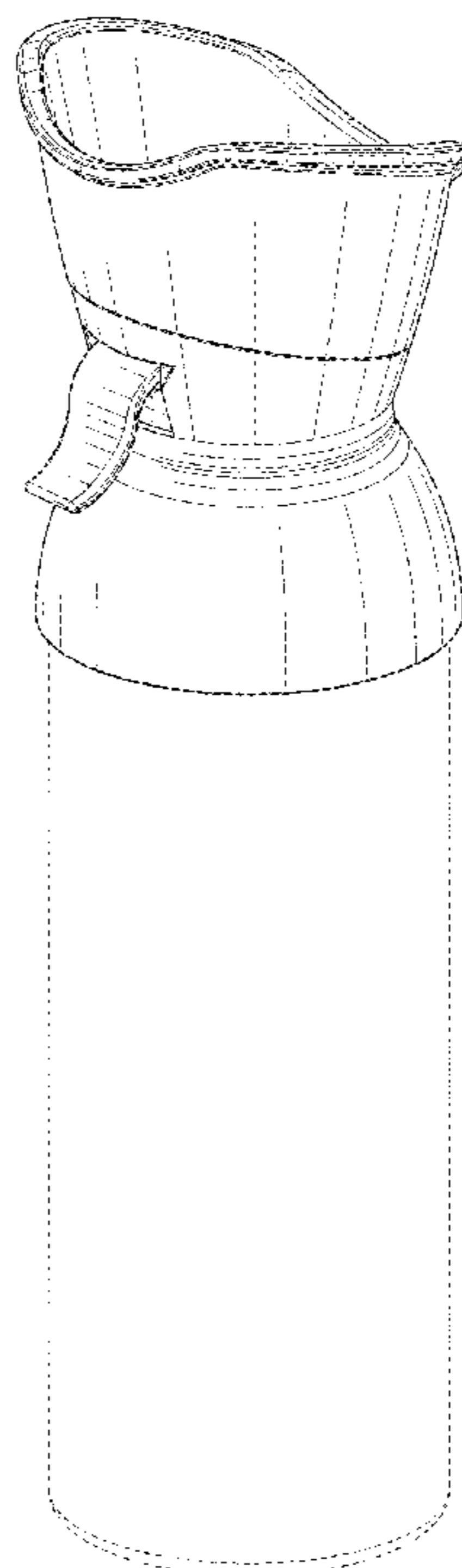
The broken line showing of the canister of oxygen in FIG. 1 depicts environmental subject matter that forms no part of the claimed design. The broken lines in FIGS. 6 and 7 depict portions of the mask that form no part of the claimed design.

(56) **References Cited**

U.S. PATENT DOCUMENTS

D208,514 S	*	9/1967	Hartwell	D24/203
D209,364 S	*	11/1967	Katzman	D24/203
D284,692 S	*	7/1986	Pohlmann	D28/9
D339,416 S	*	9/1993	Maher	D24/110
D356,153 S	*	3/1995	Peterhans	D24/110
D610,250 S	*	2/2010	Neuner	D24/110
D912,239 S	*	3/2021	Dube	D24/110

1 Claim, 7 Drawing Sheets



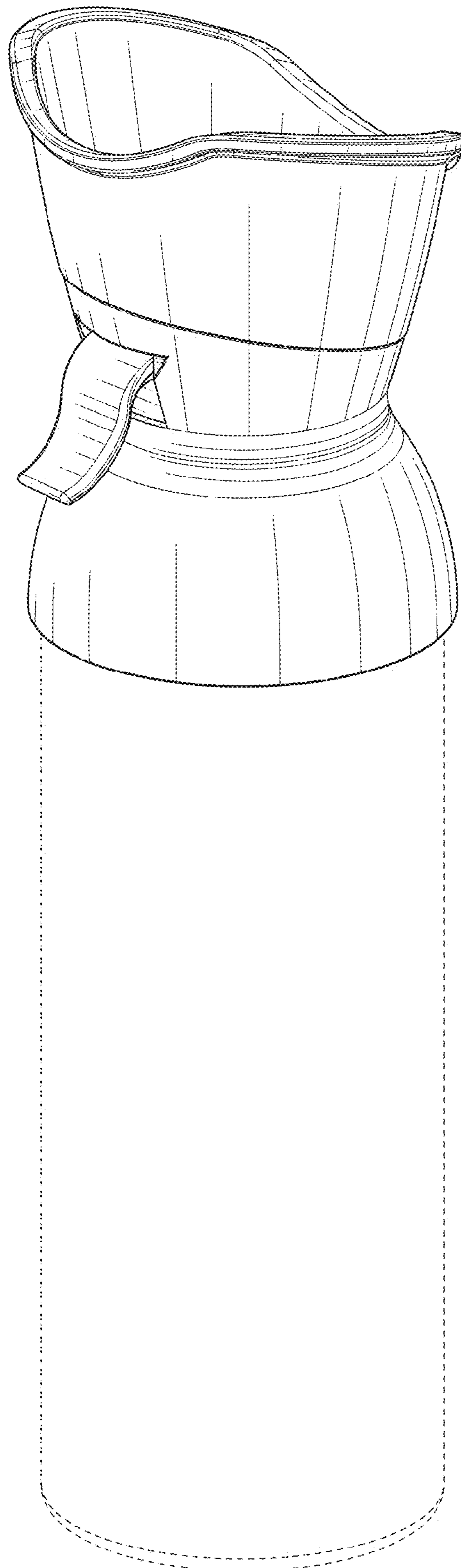


FIG. 1

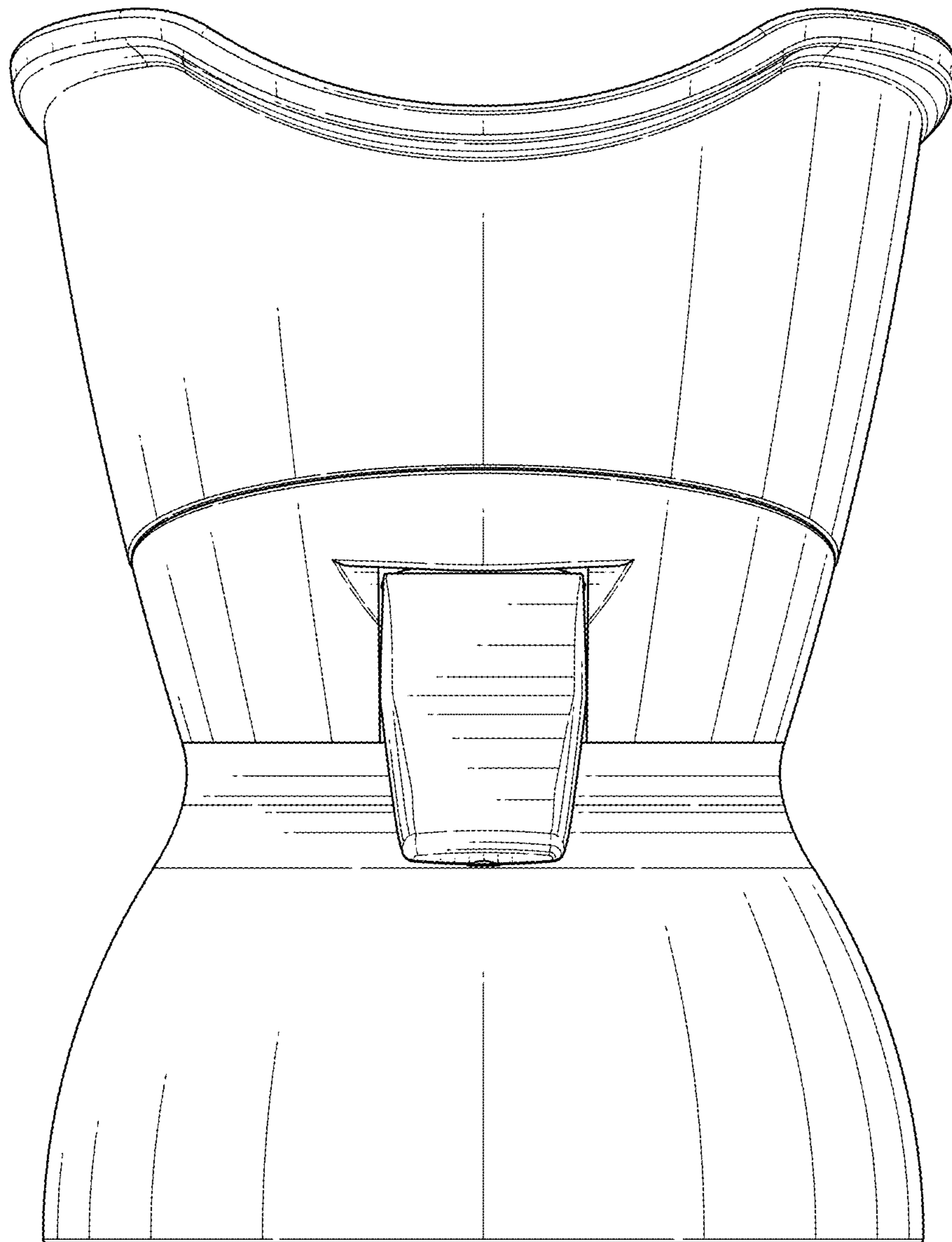


FIG. 2

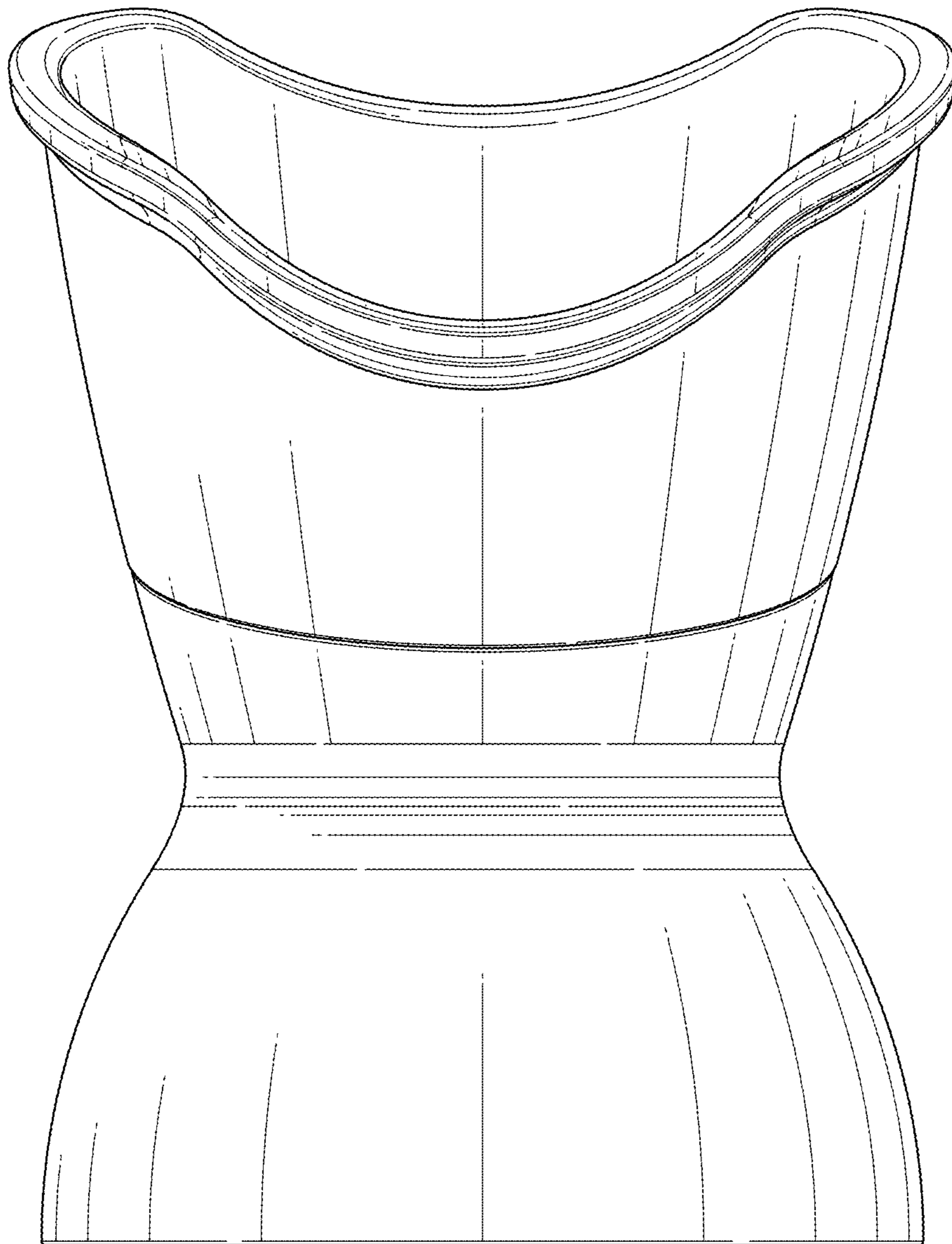


FIG. 3

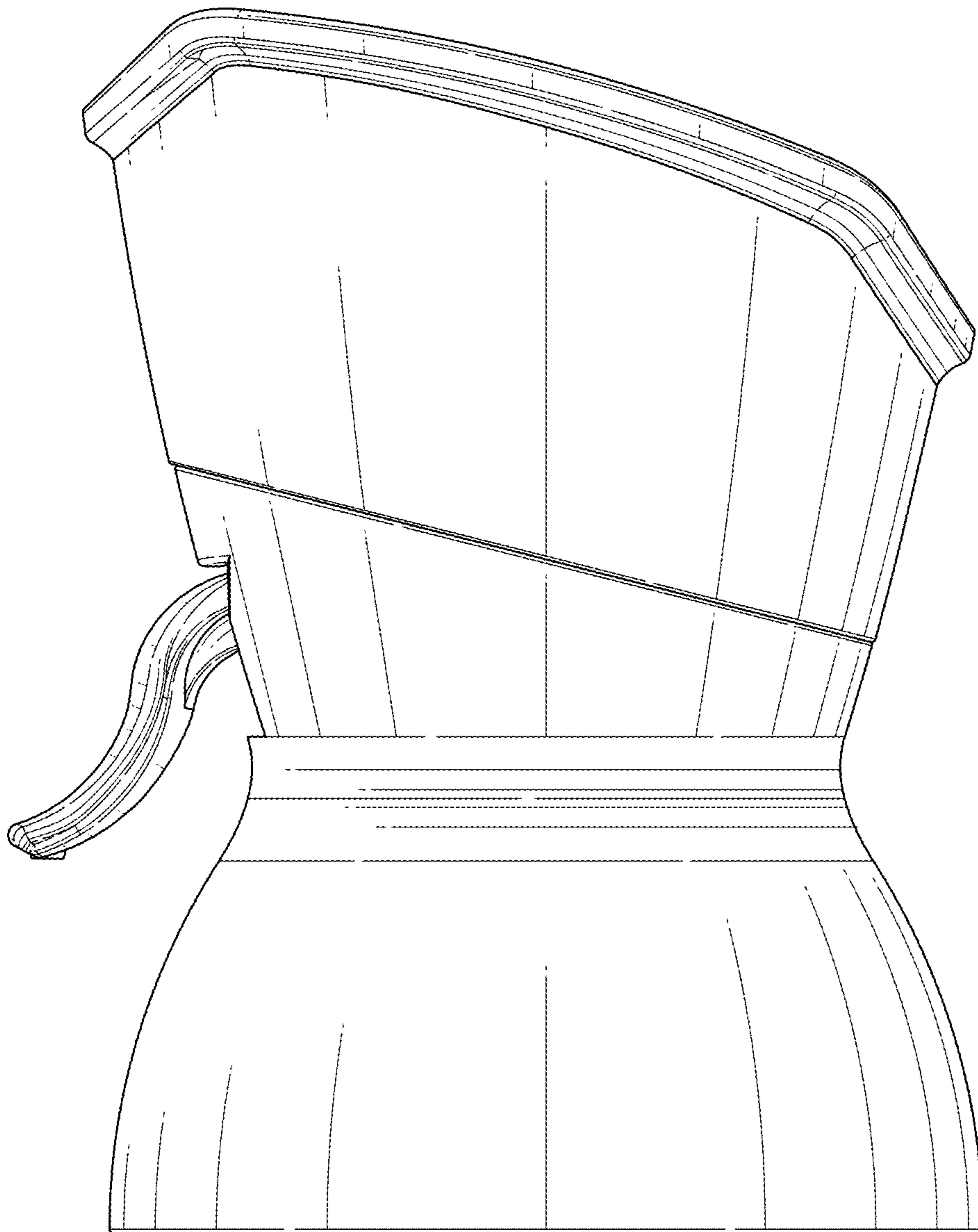


FIG. 4

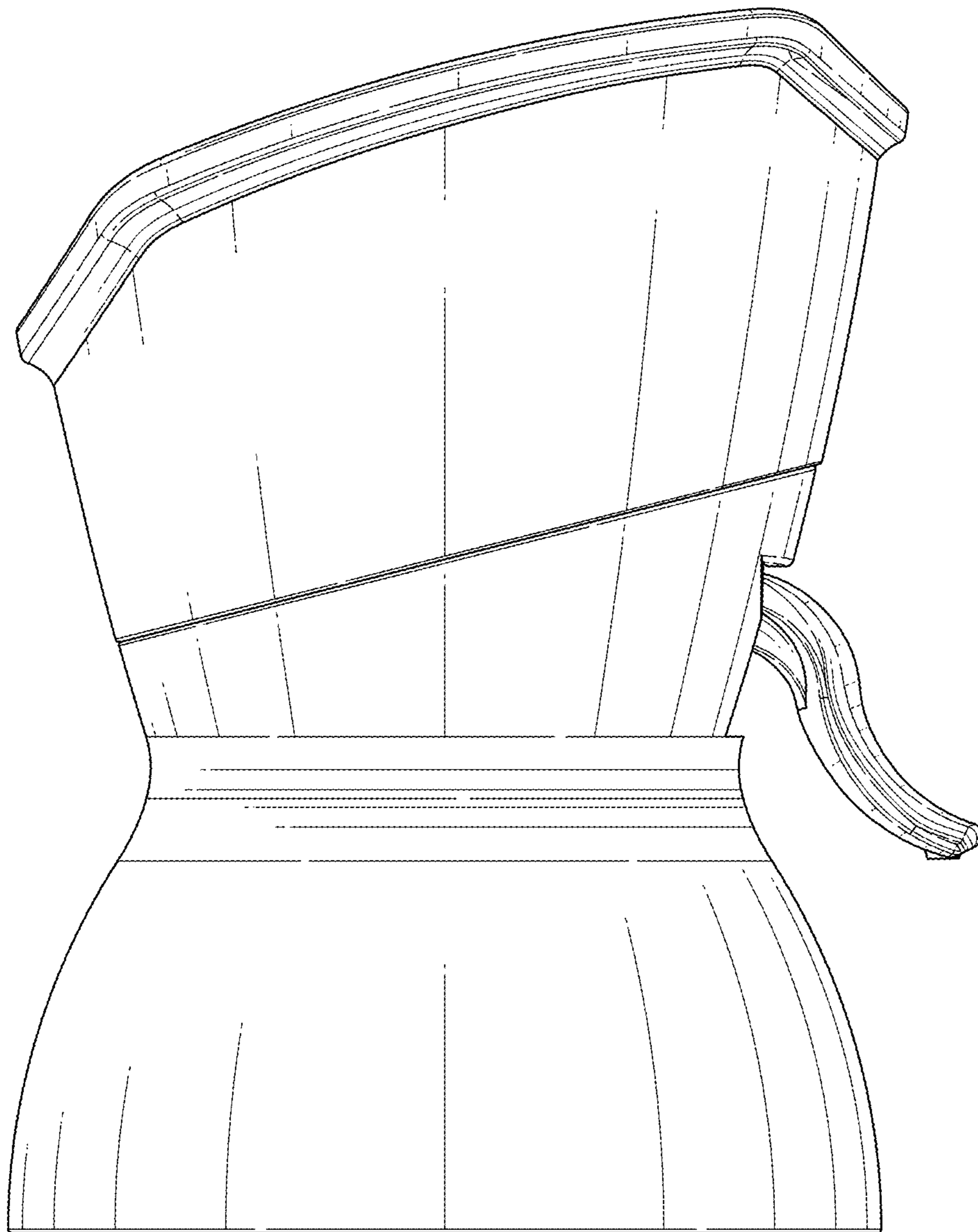


FIG. 5

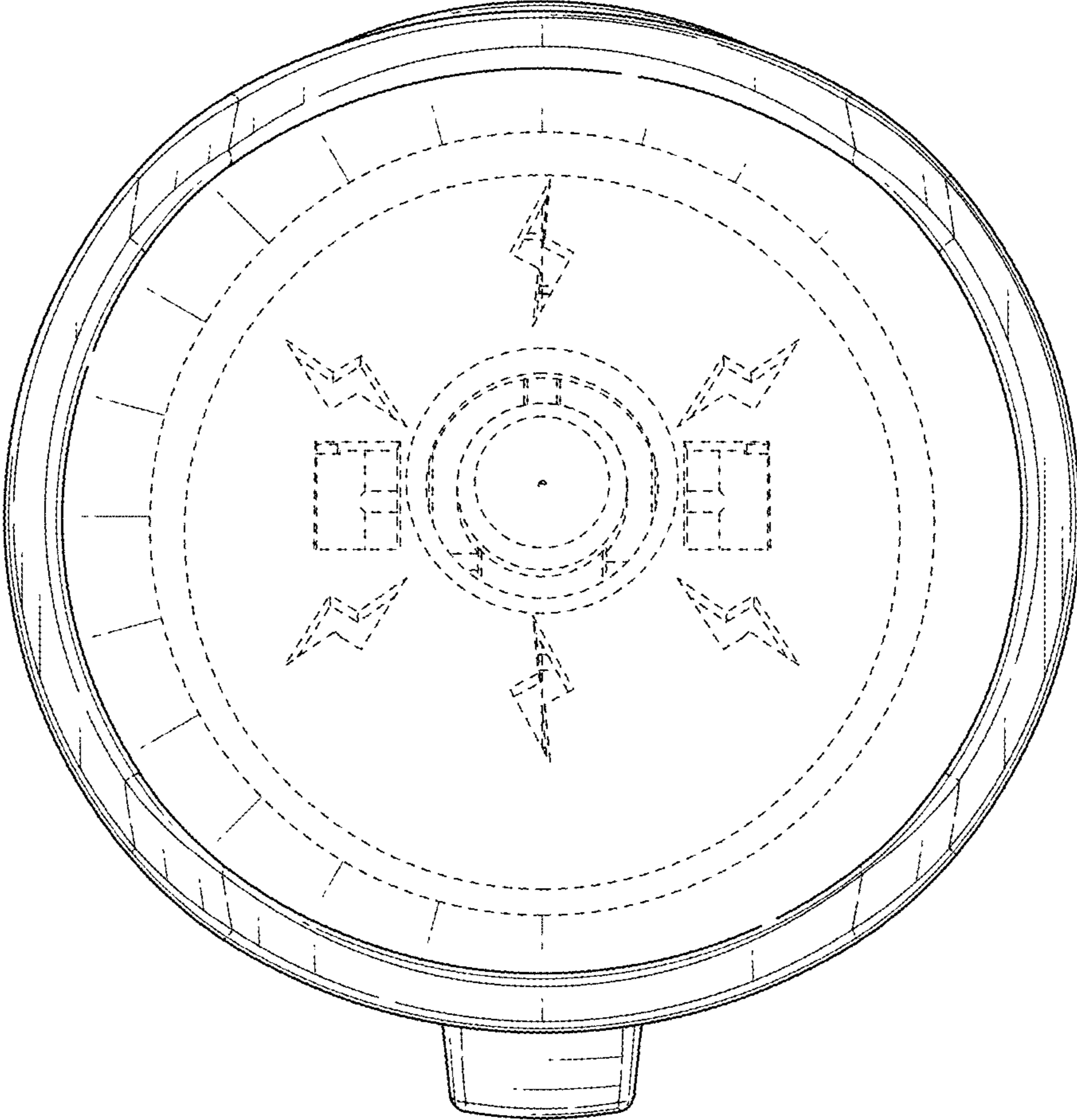


FIG. 6

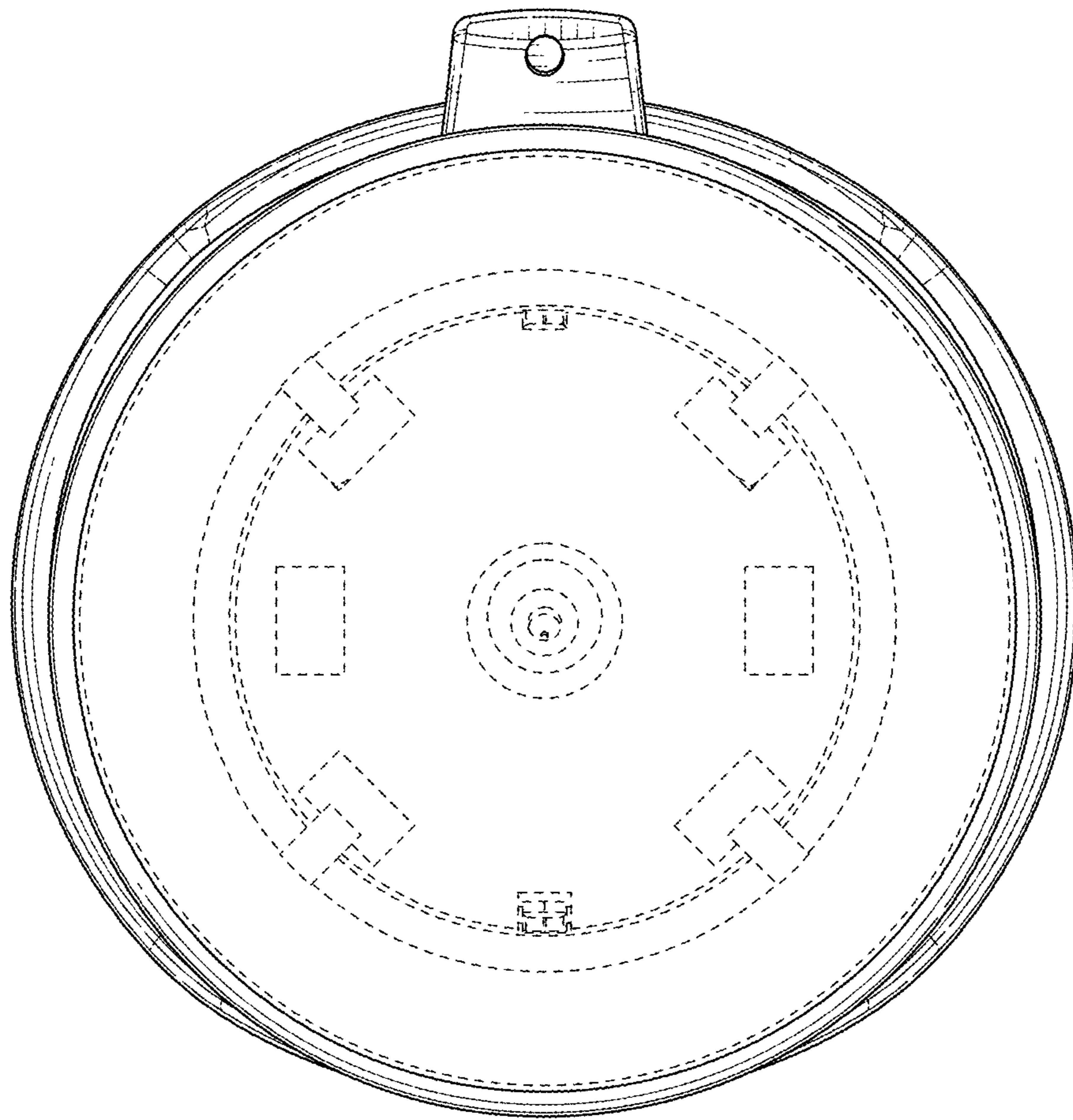


FIG. 7