



US00D942611S

(12) **United States Design Patent** (10) **Patent No.:** **US D942,611 S**  
**Leavens et al.** (45) **Date of Patent:** **\*\* Feb. 1, 2022**

(54) **EXPIRATORY ADAPTOR FOR A VENTILATOR**

D360,029 S 7/1995 Yoshikawa  
D420,118 S 2/2000 Radko et al.  
6,261,333 B1 7/2001 Dickson

(Continued)

(71) Applicant: **ResMed Paris SAS**, Moissy Cramayel (FR)

(72) Inventors: **Benjamin John Leavens**, Sydney (AU); **Kenneth Taylor**, Sydney (AU)

(73) Assignee: **ResMed Paris SAS**, Moissy Cramayel (FR)

(\*\*) Term: **15 Years**

(21) Appl. No.: **29/657,437**

(22) Filed: **Jul. 23, 2018**

OTHER PUBLICATIONS

Ng et al., U.S. Appl. No. 29/556,783, filed Mar. 3, 2016 (parent application),.

*Primary Examiner* — Richelle G Shelton

(74) *Attorney, Agent, or Firm* — Nixon & Vanderhye P.C.

(57) **CLAIM**

The ornamental design for an expiratory adaptor for a ventilator, as shown and described.

**DESCRIPTION**

FIG. 1 is a front perspective view of an expiratory adaptor for a ventilator according to our design;

FIG. 2 is a front view thereof;

FIG. 3 is a rear view thereof;

FIG. 4 is a top view thereof;

FIG. 5 is a bottom view thereof;

FIG. 6 is a left side view thereof;

FIG. 7 is a right side view thereof;

FIG. 8 is a rear perspective view thereof;

FIG. 9 is a front perspective view of the expiratory adaptor of FIGS. 1-8 in its preload position condition relative to a ventilator;

FIG. 10 is a front perspective view of the expiratory adaptor when positioned on the ventilator, but before the cover is secured; and,

FIG. 11 a front perspective view of the expiratory adaptor with the cover secured.

The broken line showing and all within is included for the purpose of illustrating subject matter excluded from the claimed design.

The broken line showing and all within is included for the purpose of illustrating subject matter excluded from the claimed design.

**Related U.S. Application Data**

(62) Division of application No. 29/556,783, filed on Mar. 3, 2016, now Pat. No. Des. 827,807, which is a division of application No. 29/491,216, filed on May 19, 2014, now Pat. No. Des. 760,375, which is a division of application No. 29/398,887, filed on Aug. 5, 2011, now Pat. No. Des. 708,733.

(51) **LOC (13) Cl.** ..... **24-01**

(52) **U.S. Cl.**  
USPC ..... **D24/110**

(58) **Field of Classification Search**  
CPC .. A61M 16/021; A61M 16/085; A61M 16/10;  
A61M 16/205; A61M 16/208; A61M  
16/0045

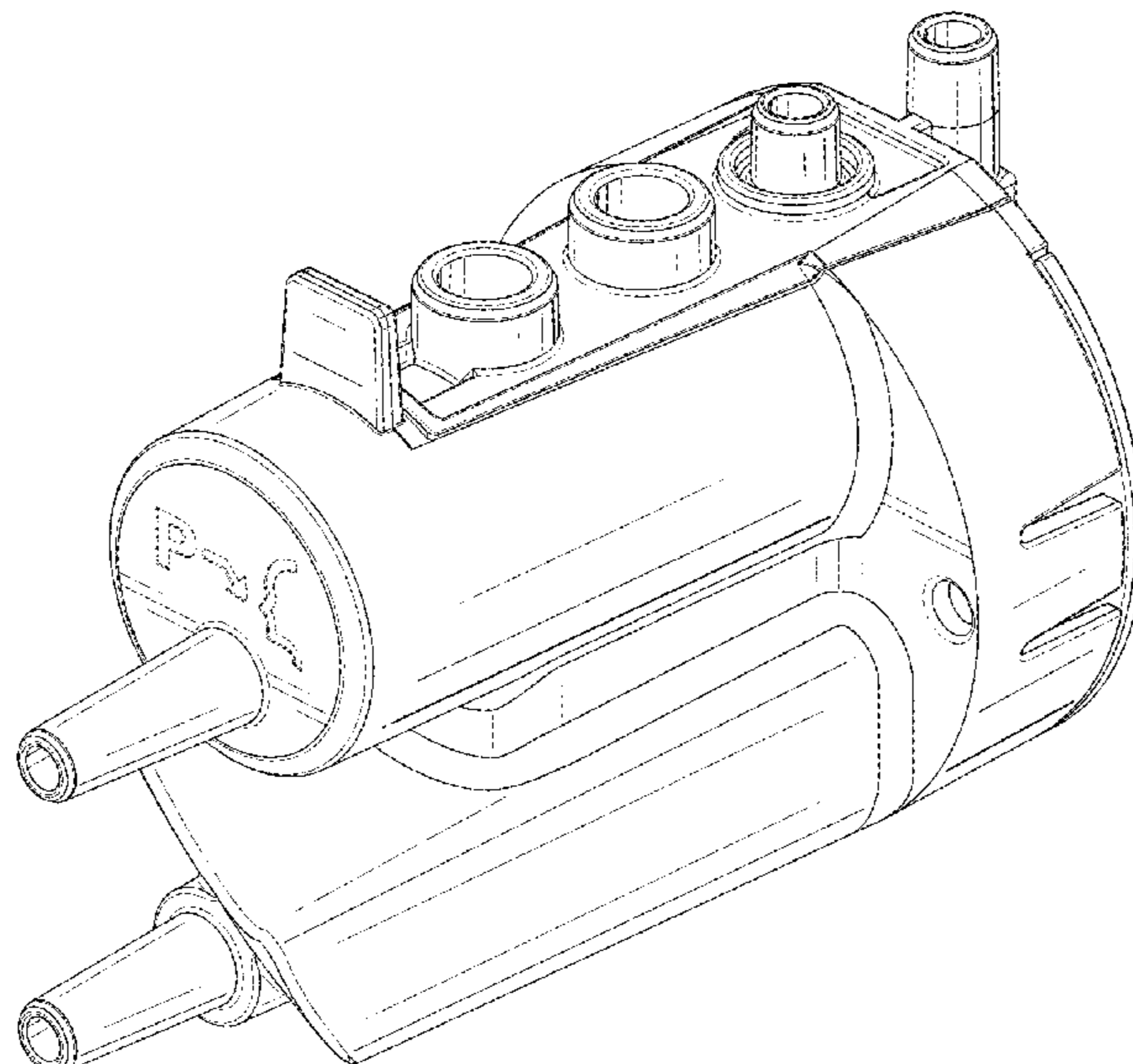
See application file for complete search history.

(56) **References Cited**

U.S. PATENT DOCUMENTS

D241,984 S 10/1976 Lahay  
4,063,913 A 12/1977 Kippel  
4,172,709 A 10/1979 Kippel et al.

**1 Claim, 7 Drawing Sheets**



(56)

**References Cited**

U.S. PATENT DOCUMENTS

D459,477	S	6/2002	Stocks et al.	
D467,335	S	12/2002	Lithgow et al.	
6,619,287	B2	9/2003	Blackhurst et al.	
6,631,717	B1 *	10/2003	Rich .....	A61M 16/0045 128/204.18
D546,950	S	7/2007	Orth	
D678,521	S *	3/2013	Mort .....	D24/129
D708,733	S *	7/2014	Ng .....	D24/110
9,010,321	B2	4/2015	Stenzler et al.	
D760,375	S	6/2016	Ng et al.	
D764,864	S	8/2016	Hertaus	
D773,655	S	12/2016	Hofstetter	
D861,863	S *	10/2019	Leonard .....	D24/127
D865,953	S *	11/2019	Hietala .....	D24/127
2003/0183232	A1 *	10/2003	Fukunaga .....	A61M 16/0081 128/204.18
2006/0213518	A1	9/2006	DeVries et al.	
2007/0215155	A1	9/2007	Marx et al.	
2016/0114121	A1 *	4/2016	Holley .....	A61M 16/105 128/205.12
2019/0099578	A1 *	4/2019	Wolfson .....	A61M 16/161

\* cited by examiner

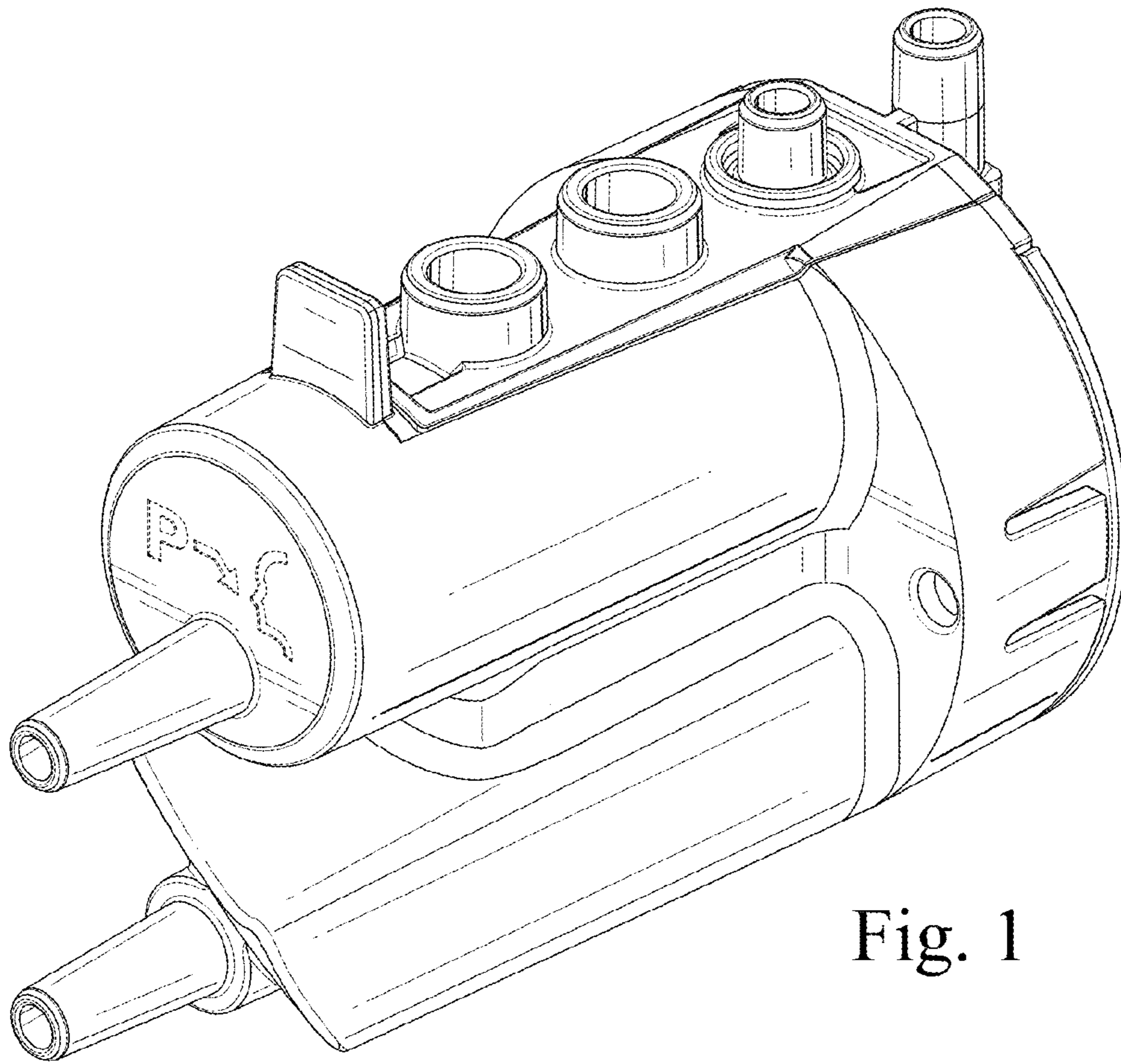


Fig. 1

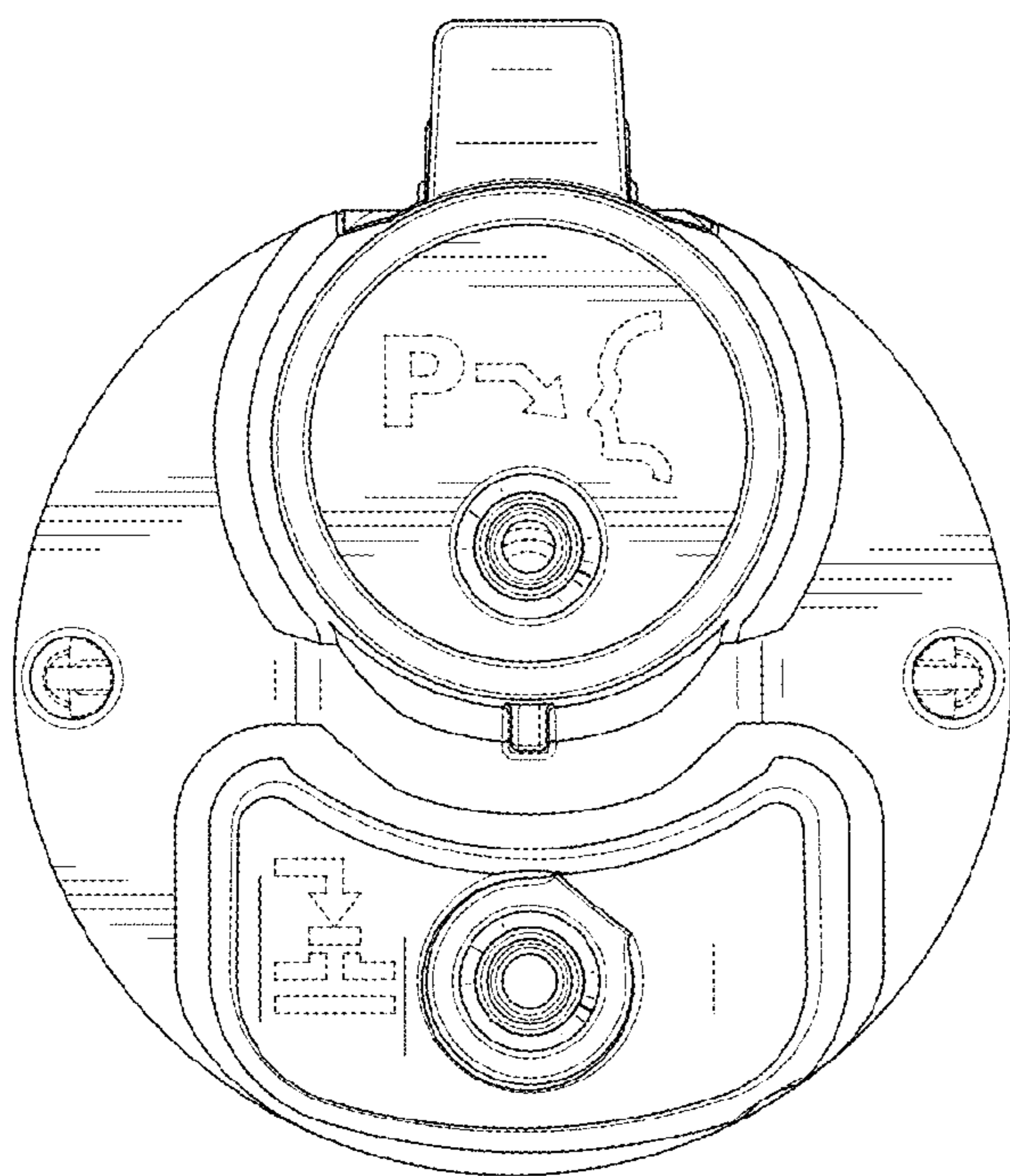


Fig. 2

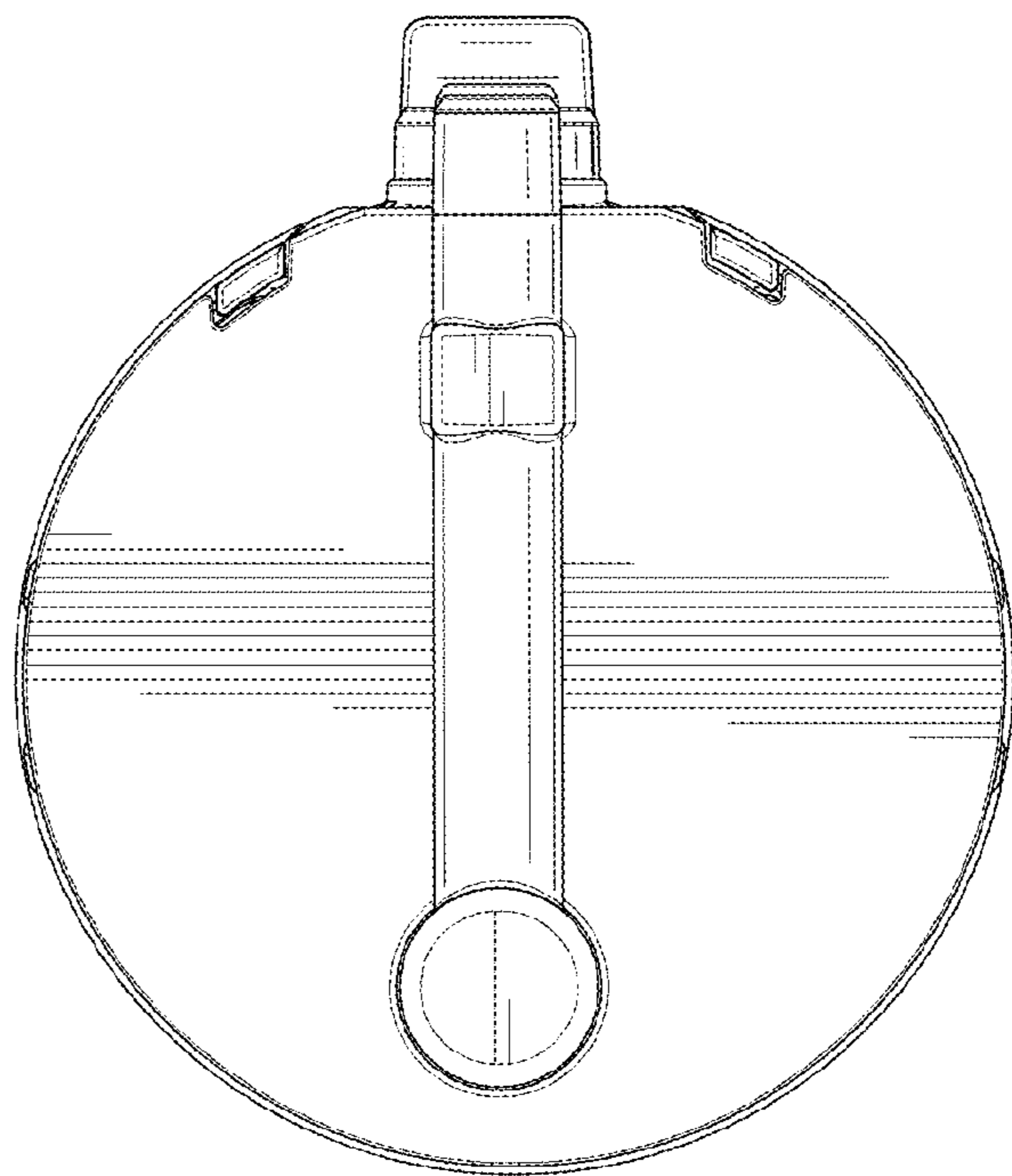


Fig. 3

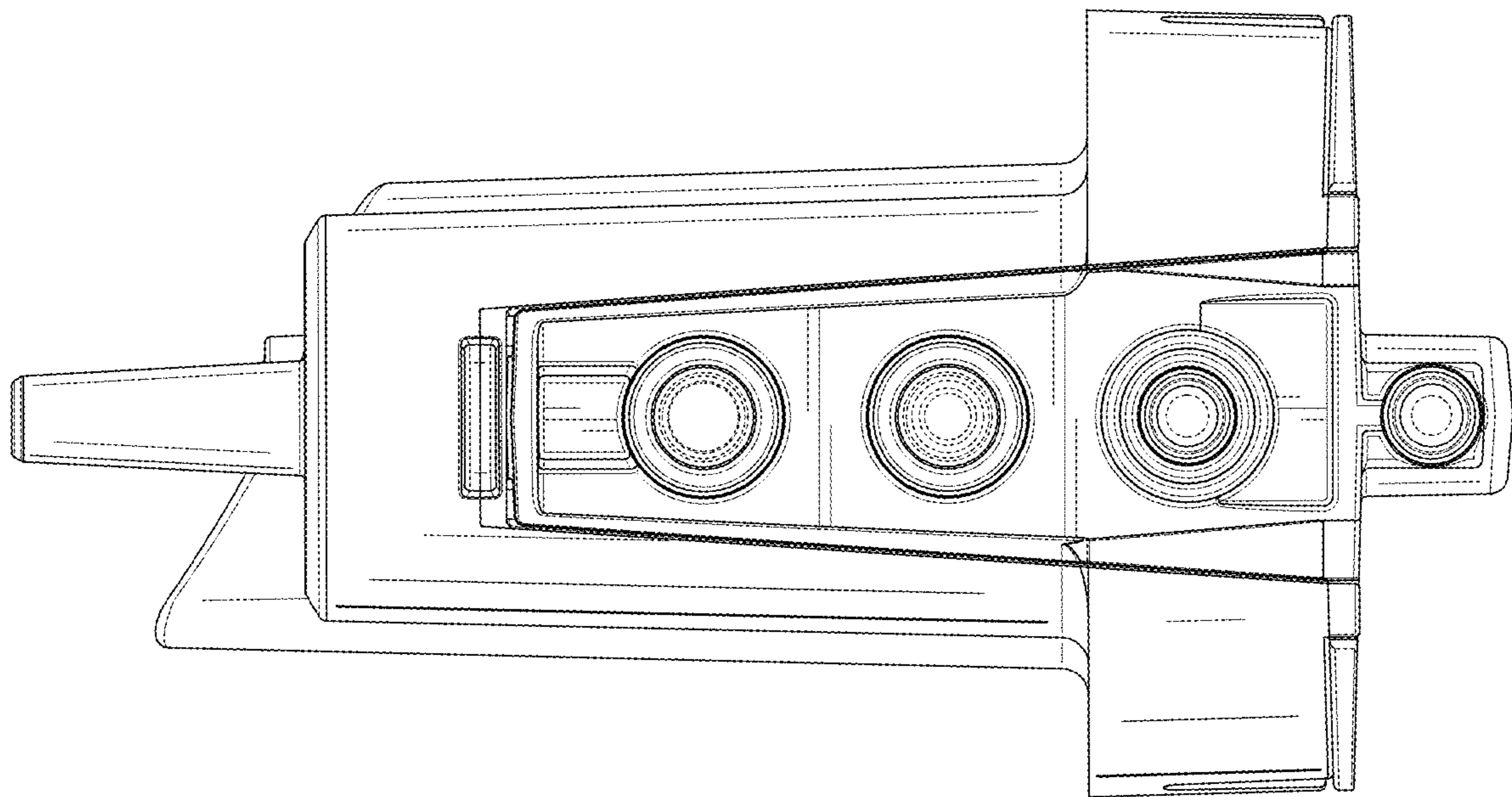


Fig. 4

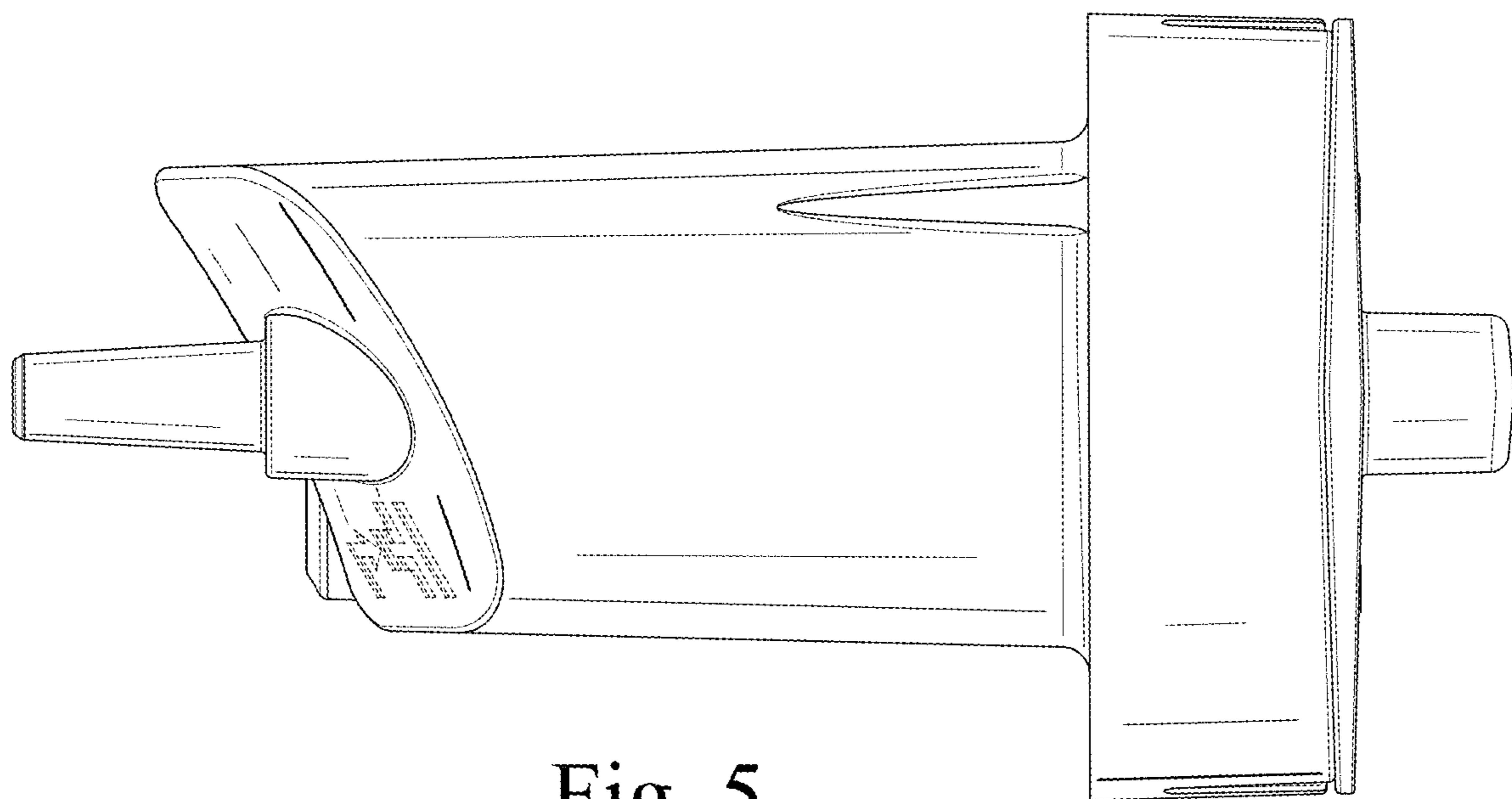


Fig. 5

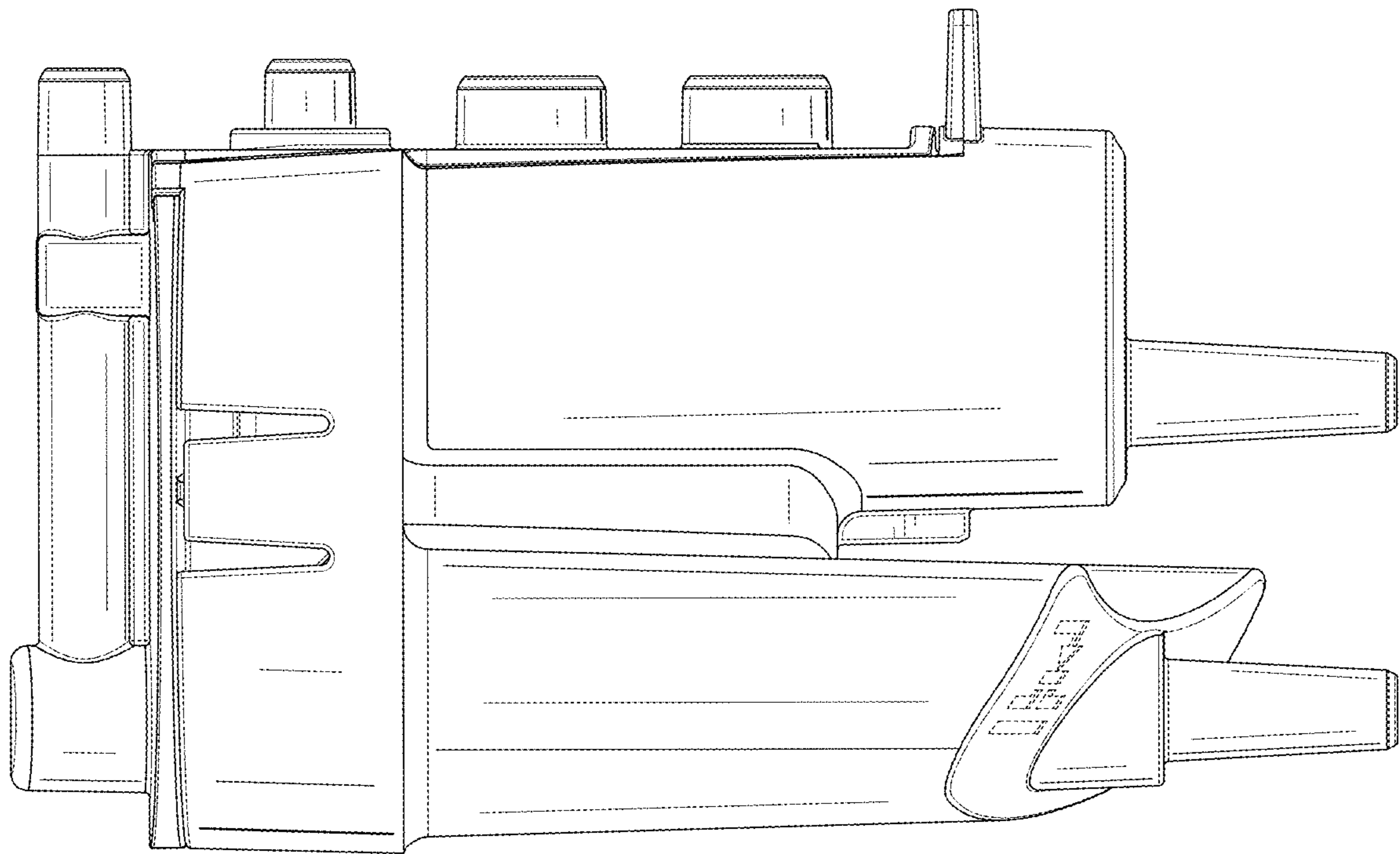


Fig. 6

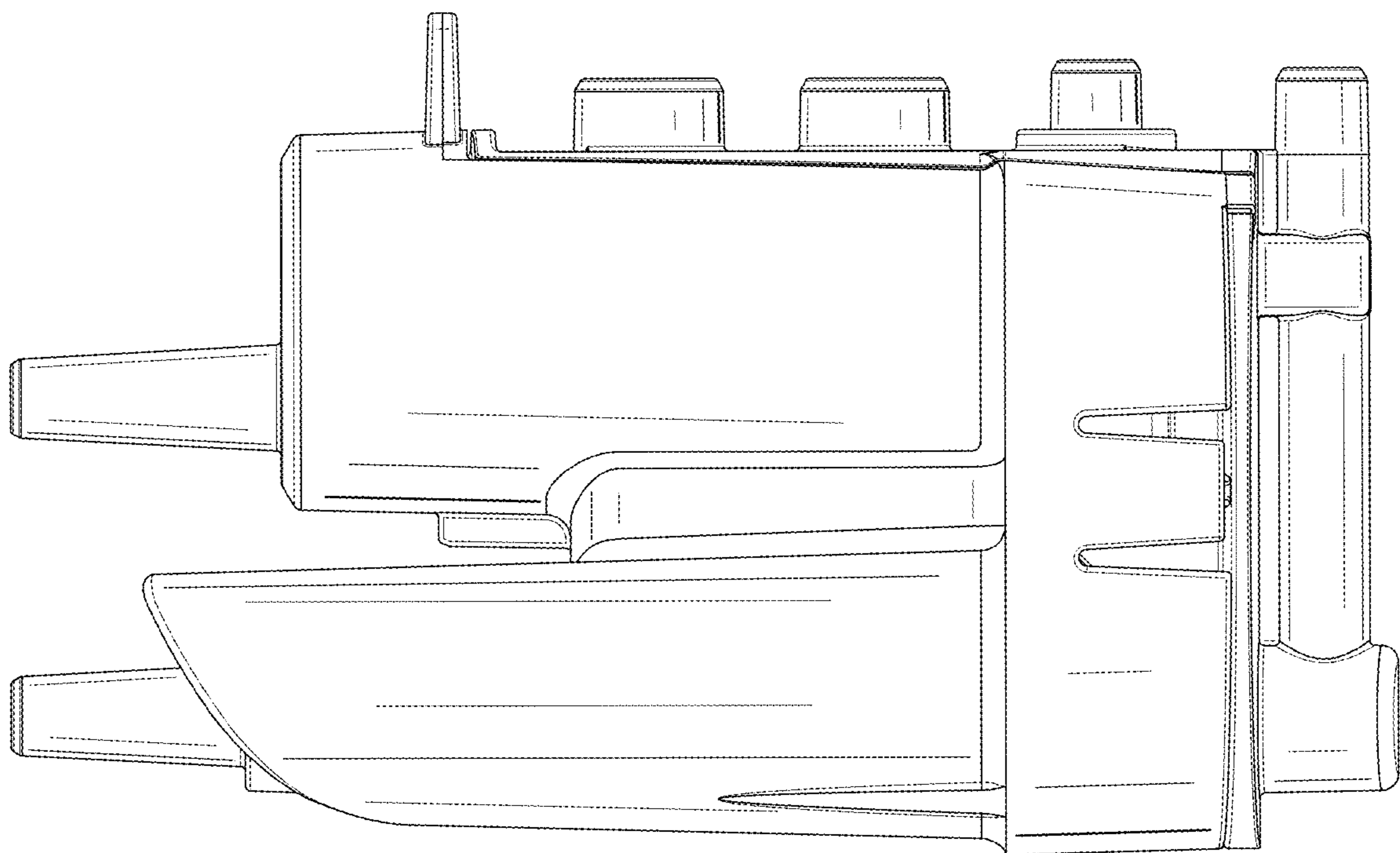


Fig. 7

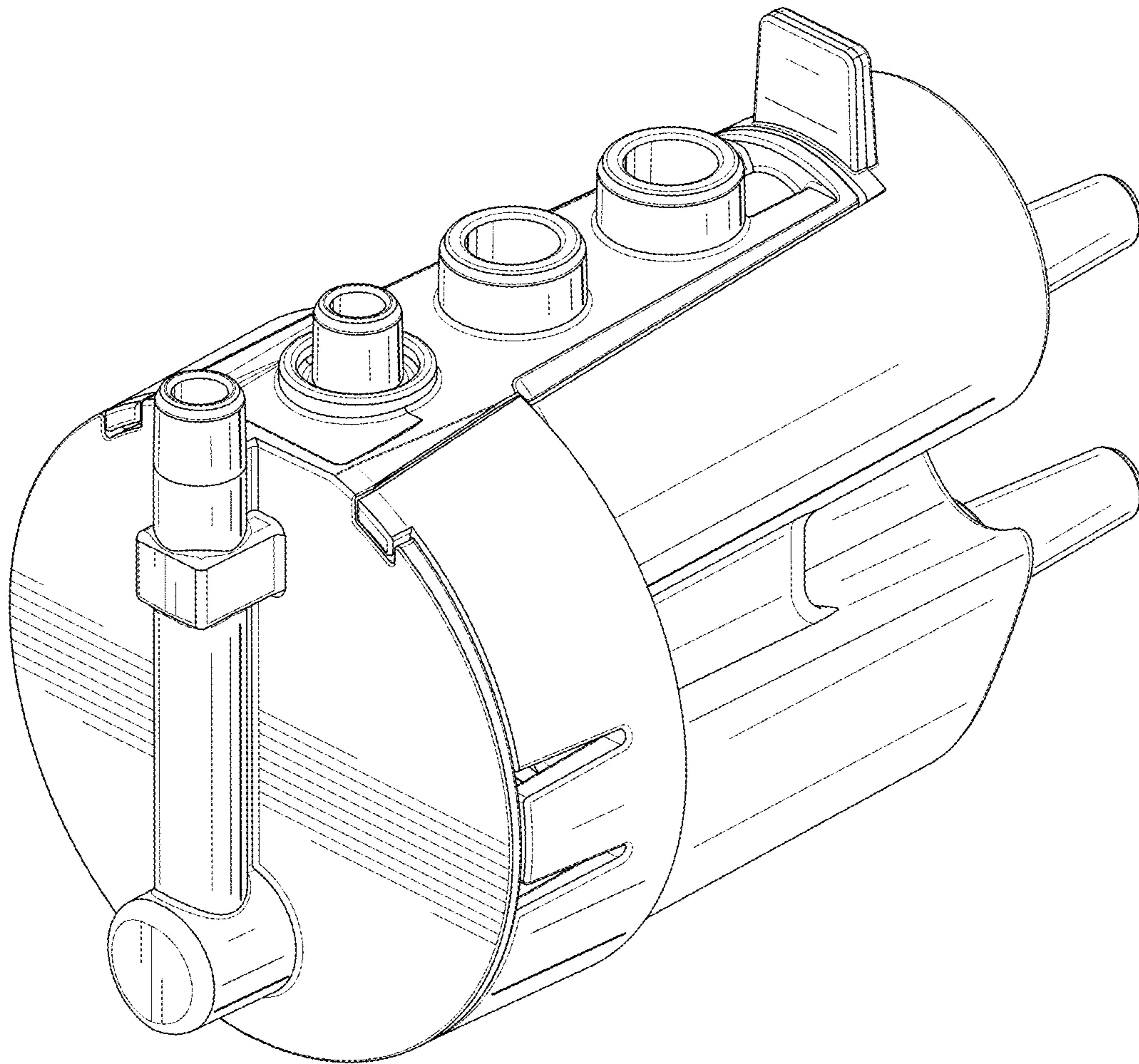


Fig. 8

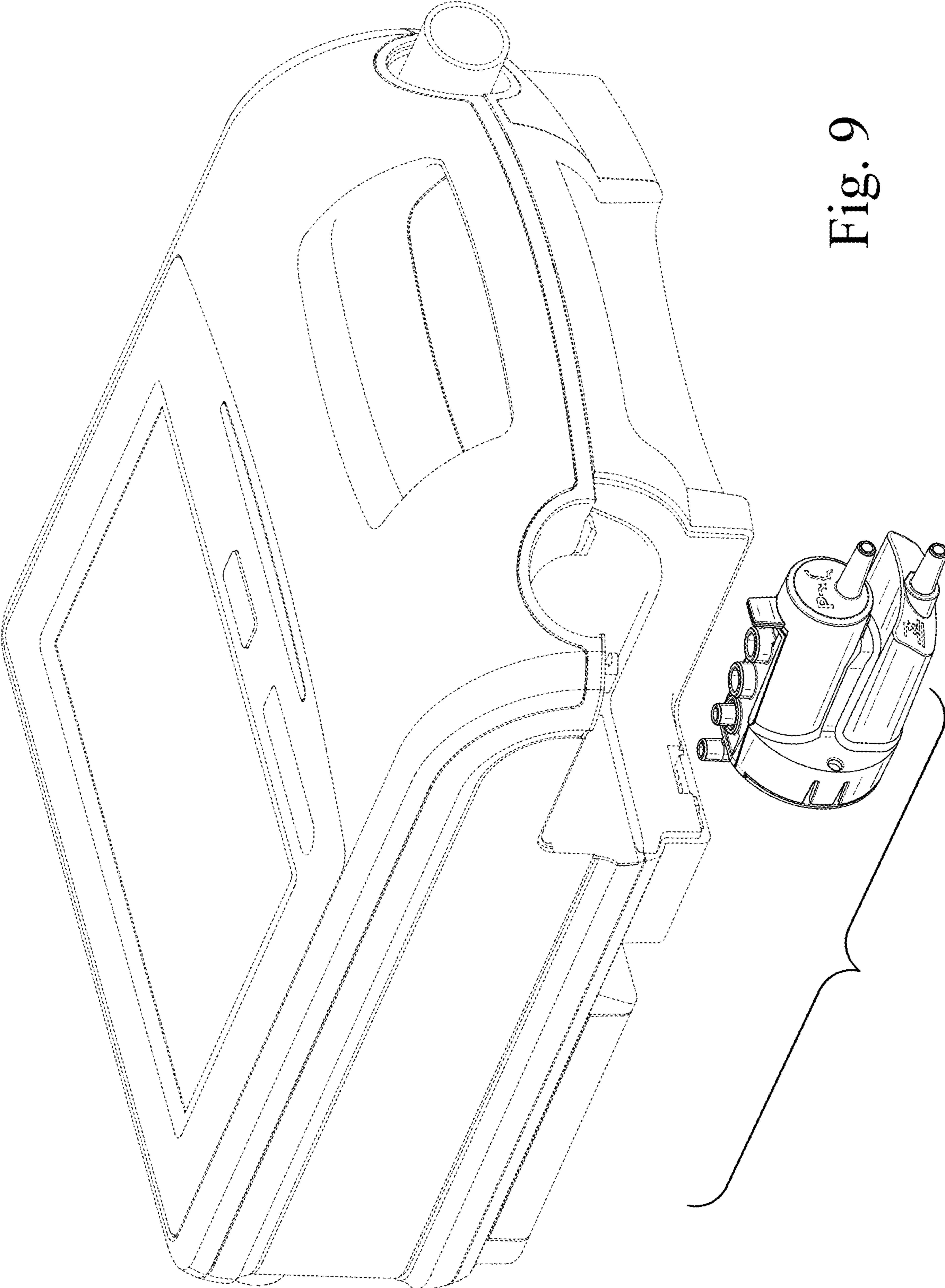


Fig. 9

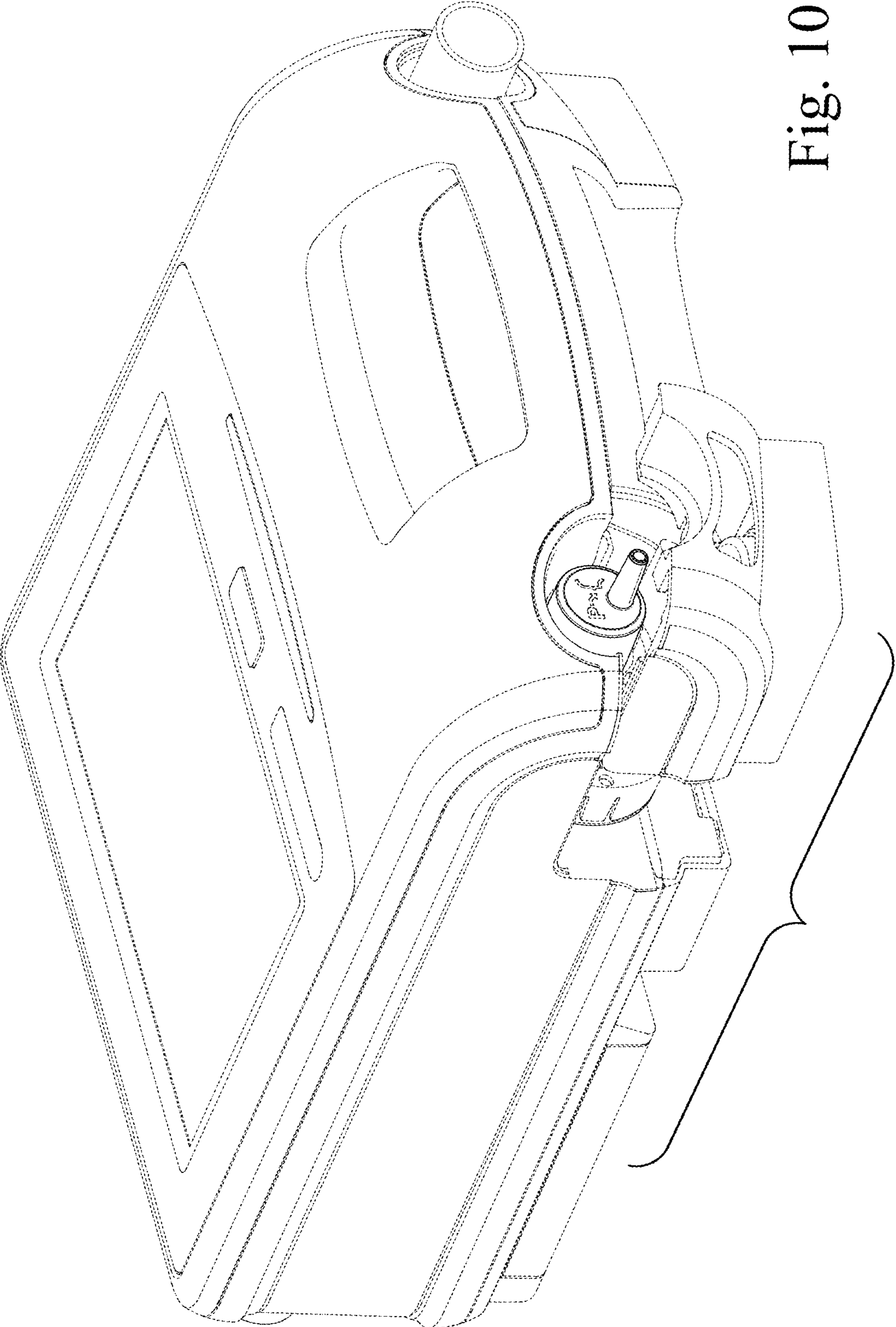


Fig. 10



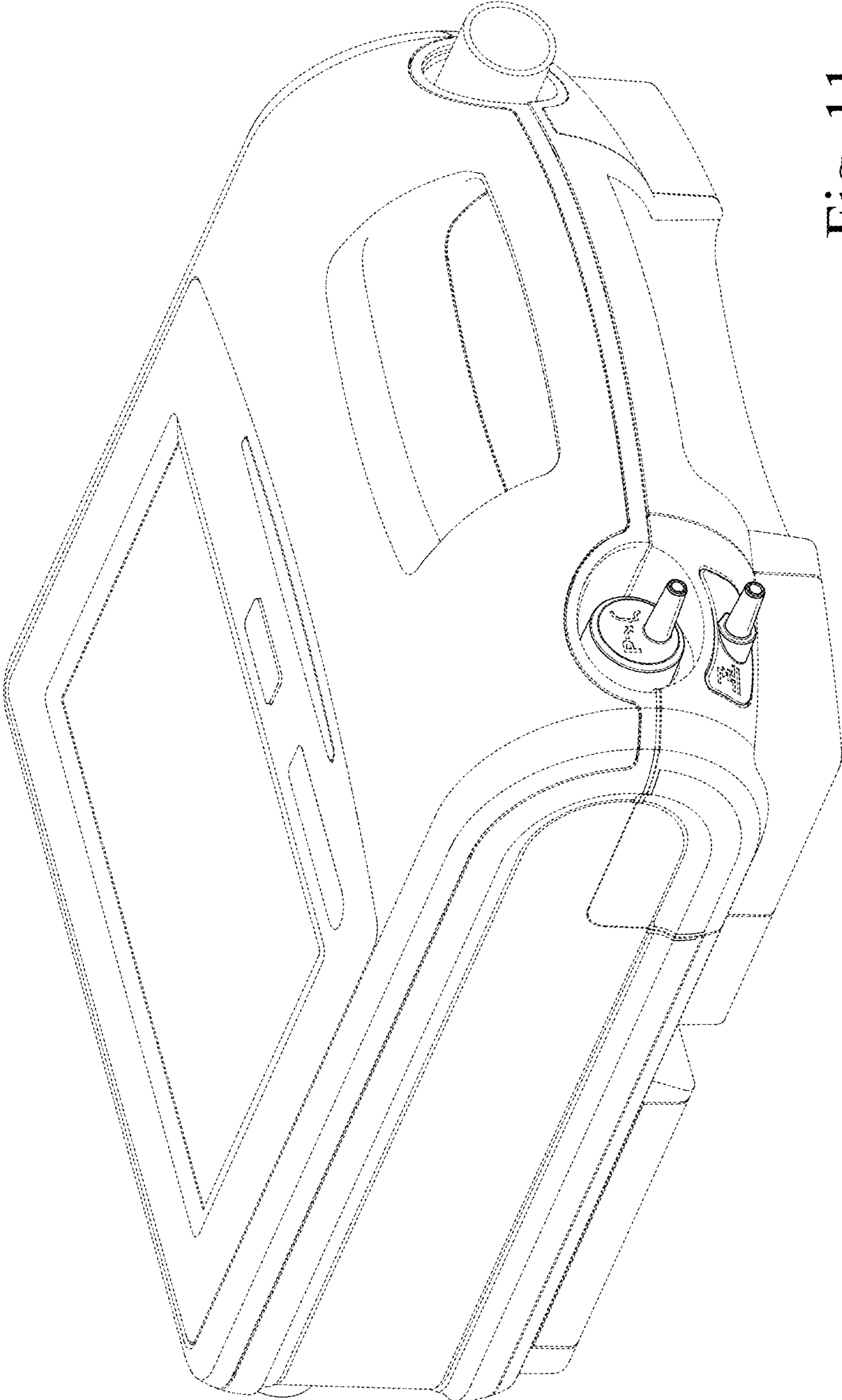


Fig. 11