



US00D942610S

(12) **United States Design Patent** (10) **Patent No.:** **US D942,610 S**
Dittrich et al. (45) **Date of Patent:** **** Feb. 1, 2022**

(54) **EAR PLUG**
(71) Applicant: **Ear Labs AB**, Malmö (SE)
(72) Inventors: **Christian Dittrich**, Löderup (SE);
Casper Asmussen, Malmö (SE);
Kasimir Hellström, Lund (SE)
(73) Assignee: **Ear Labs AB**, Malmö (SE)
(**) Term: **15 Years**

(21) Appl. No.: **35/510,959**
(22) Filed: **Dec. 3, 2020**

(80) **Hague Agreement Data**
Int. Filing Date: **Dec. 3, 2020**
Int. Reg. No.: **DM/211653**
Int. Reg. Date: **Dec. 3, 2020**
Int. Reg. Pub. Date: **Dec. 18, 2020**

(51) **LOC (13) Cl.** **28-01**
(52) **U.S. Cl.**
USPC **D24/106**
(58) **Field of Classification Search**
USPC D24/106; D13/133; D14/223
CPC A61F 11/08
See application file for complete search history.

(56) **References Cited**
U.S. PATENT DOCUMENTS

D239,416 S *	3/1976	Visor	D24/106
D242,743 S *	12/1976	Leight	D24/106
D253,723 S *	12/1979	Leight	128/864
D265,129 S *	6/1982	Leight	D24/106
D521,637 S *	5/2006	Yang	D24/106
D604,409 S *	11/2009	Scanlon	D24/106
D760,887 S *	7/2016	Dittrich	D24/106
D788,906 S *	6/2017	Dittrich	D24/106
D807,496 S *	1/2018	Dittrich	D24/106

D887,543 S *	6/2020	Gu	A61F 11/08 D24/106
D894,160 S *	8/2020	Andrevski	D14/223
D897,522 S *	9/2020	O	D24/106
D902,380 S *	11/2020	Andreevski	D24/106
D919,574 S *	5/2021	Ng	D13/133
D932,002 S *	9/2021	Yuan	D24/106
2010/0294285 A1 *	11/2010	Turdjian	A61F 11/08 128/867
2016/0022498 A1 *	1/2016	Dittrich	A61F 11/08 128/864
2021/0052429 A1 *	2/2021	Dittrich	A61F 11/08

* cited by examiner

Primary Examiner — Rhea Shields

(74) Attorney, Agent, or Firm — Larson & Larson, P.A.;
Frank Liebenow; Justin P. Miller

(57) **CLAIM**

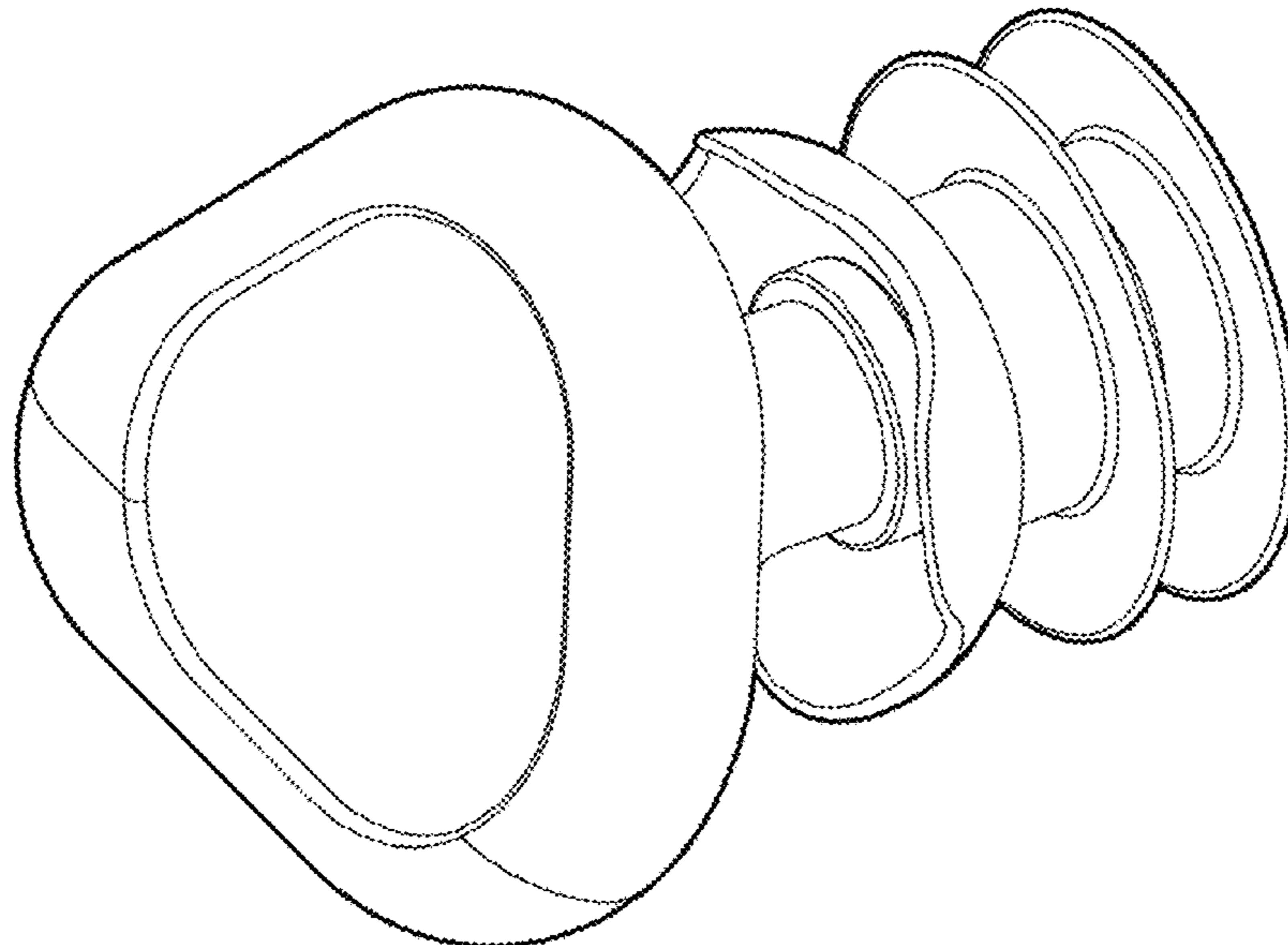
The ornamental design for an ear plug, as shown and described.

DESCRIPTION

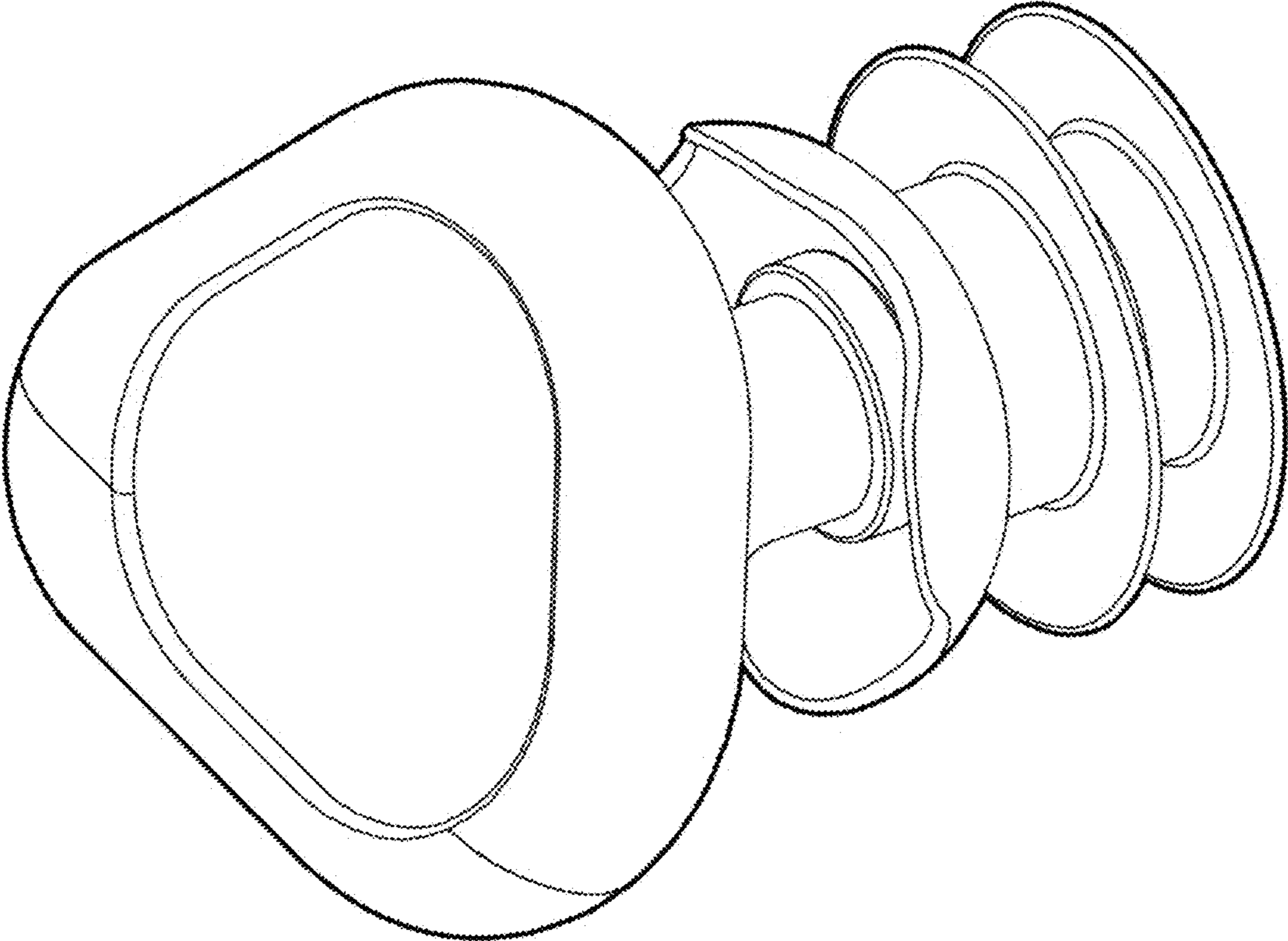
- 1. Ear plug
- 1.1 : Perspective
- 1.2 : Front
- 1.3 : Left
- 1.4 : Back
- 1.5 : Right
- 1.6 : Top
- 1.7 : Bottom
- 1.8 : Perspective

The design shows an ear plug for use in water sports, such as surfing; the ear plug has an body with an upper part and a lower part; a tip is arranged around the lower part that is adapted to be inserted into the ear canal; a membrane is arranged at the front of the upper part, which allows sound to enter the ear plug but blocks water and wind from entering the ear plug.

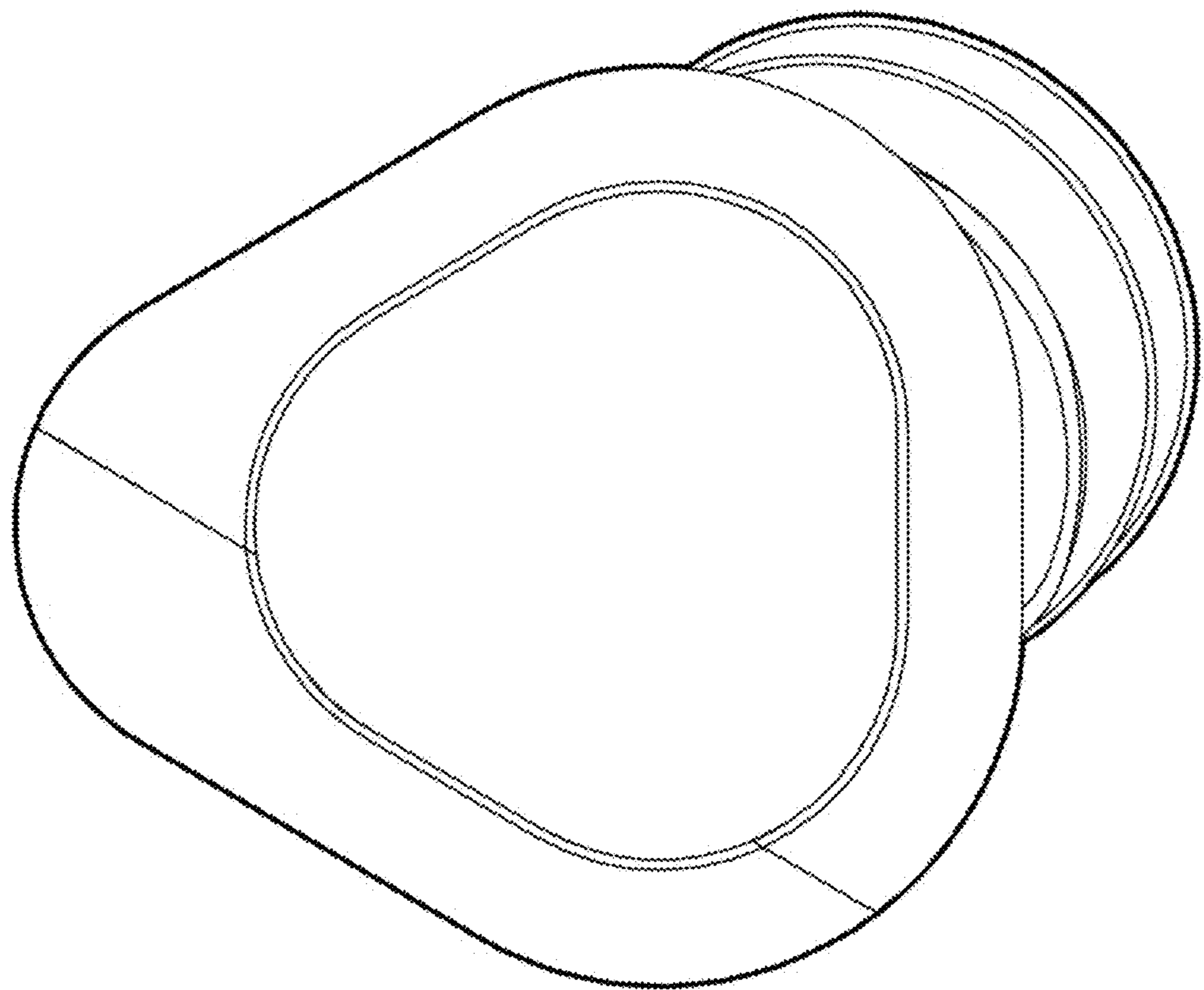
1 Claim, 8 Drawing Sheets



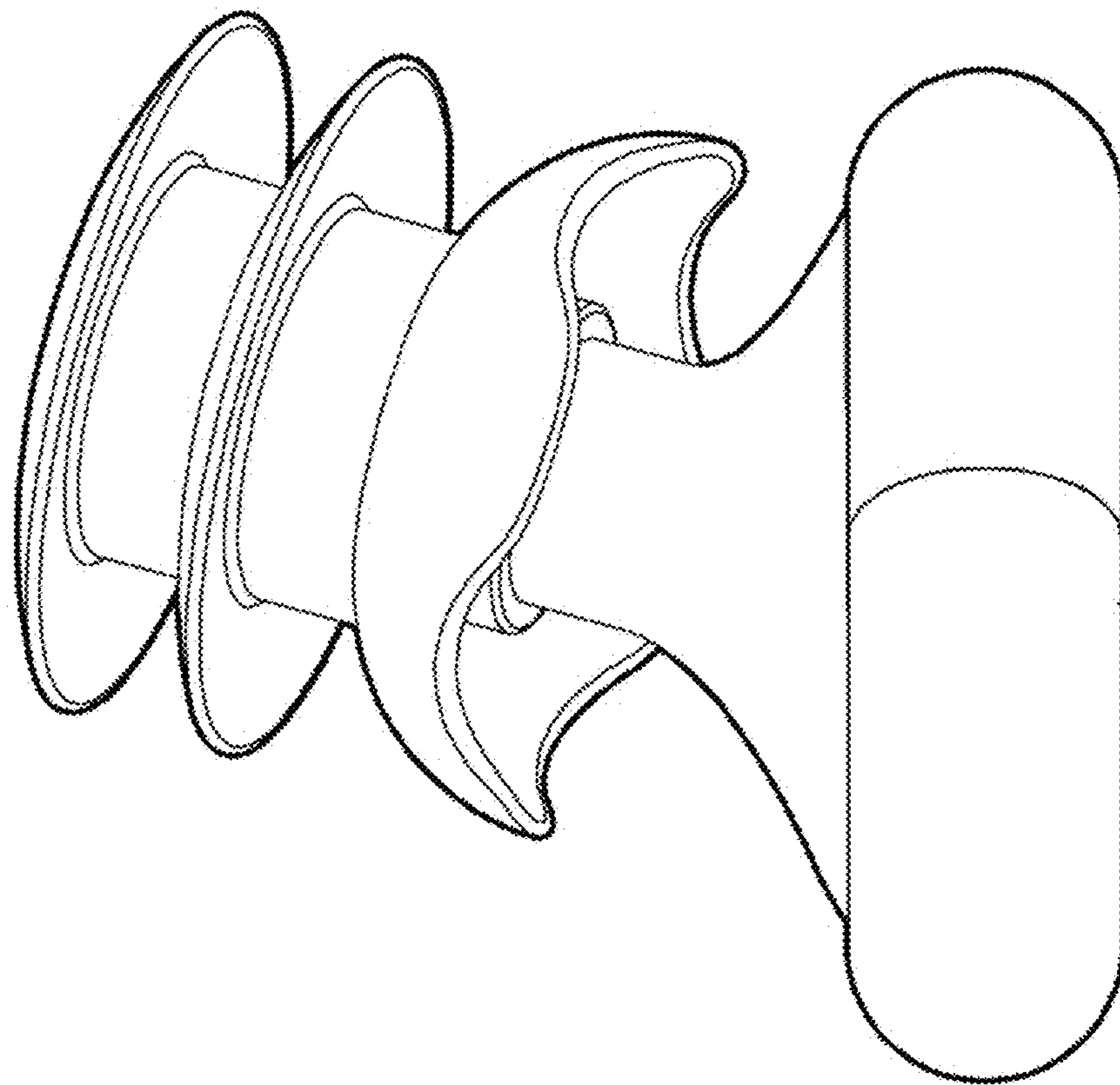
1.1



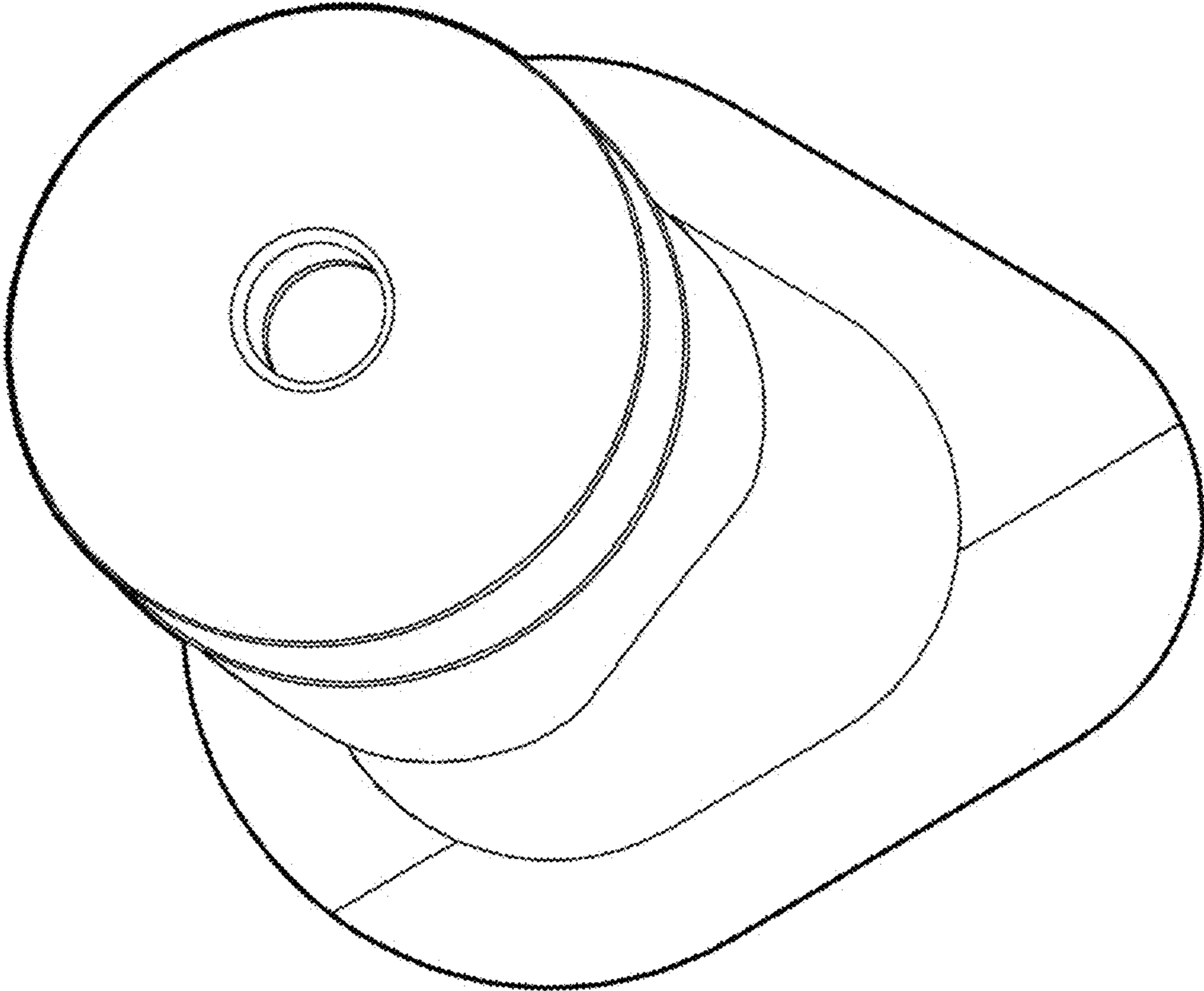
1.2



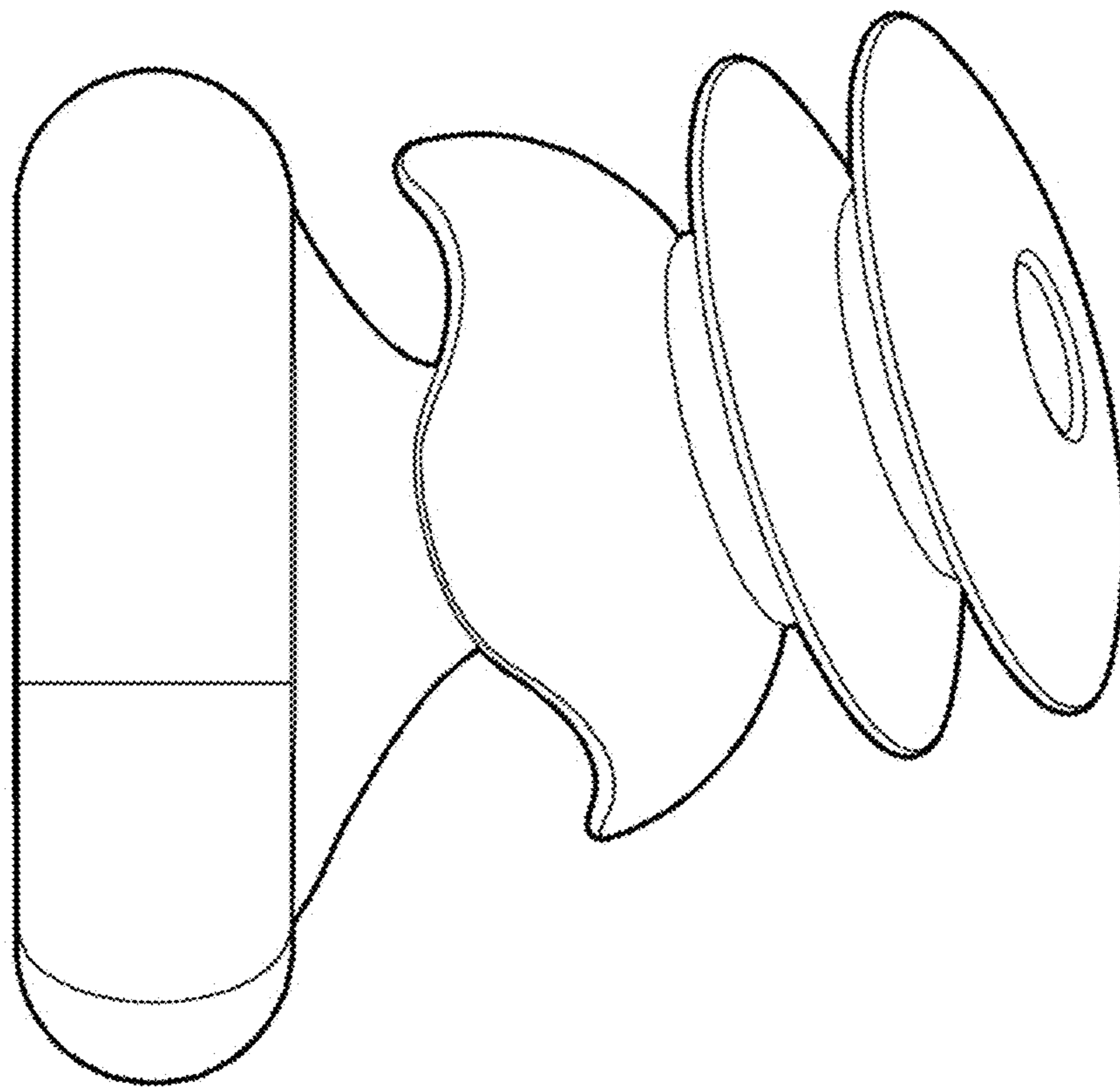
1.3



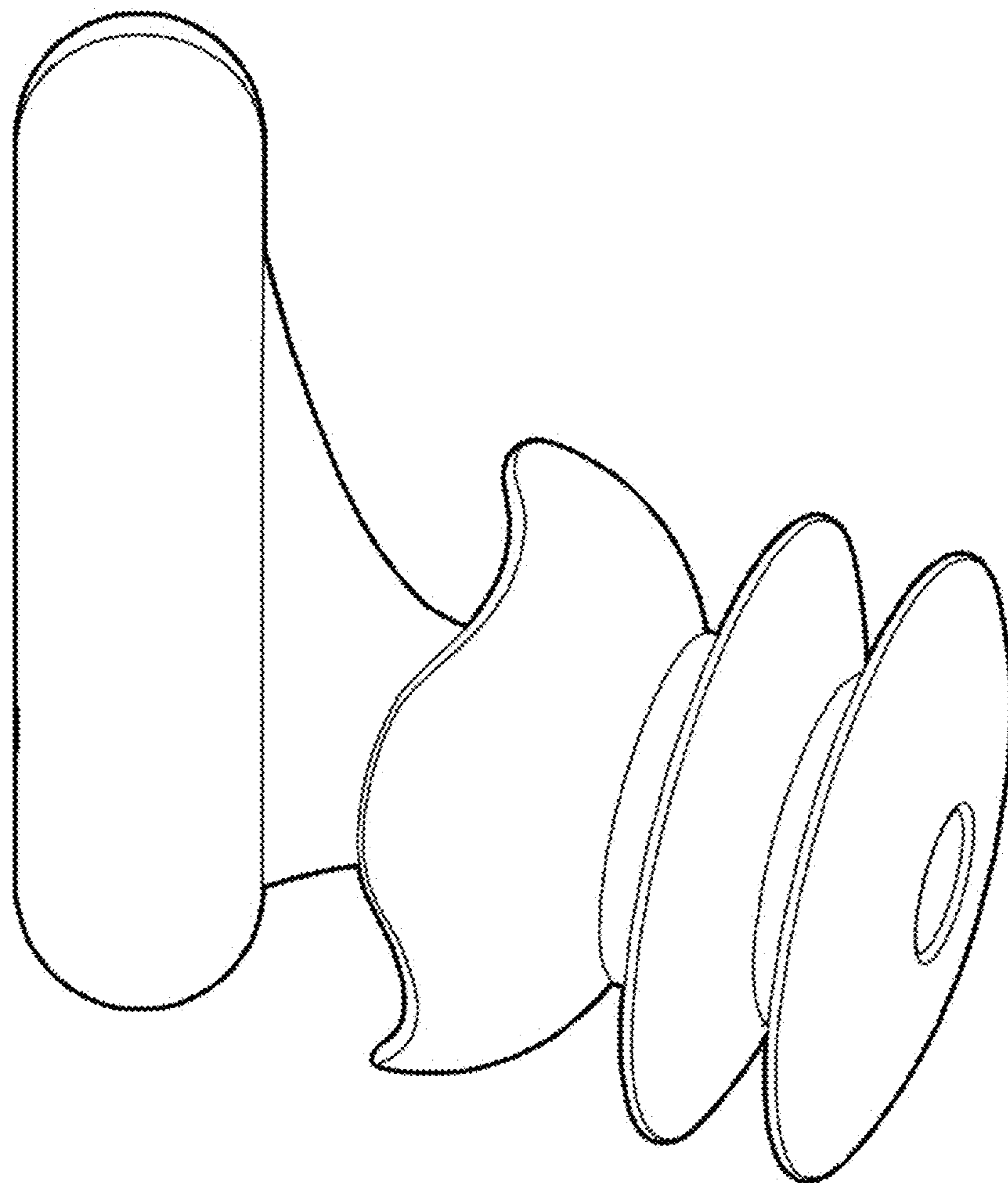
1.4



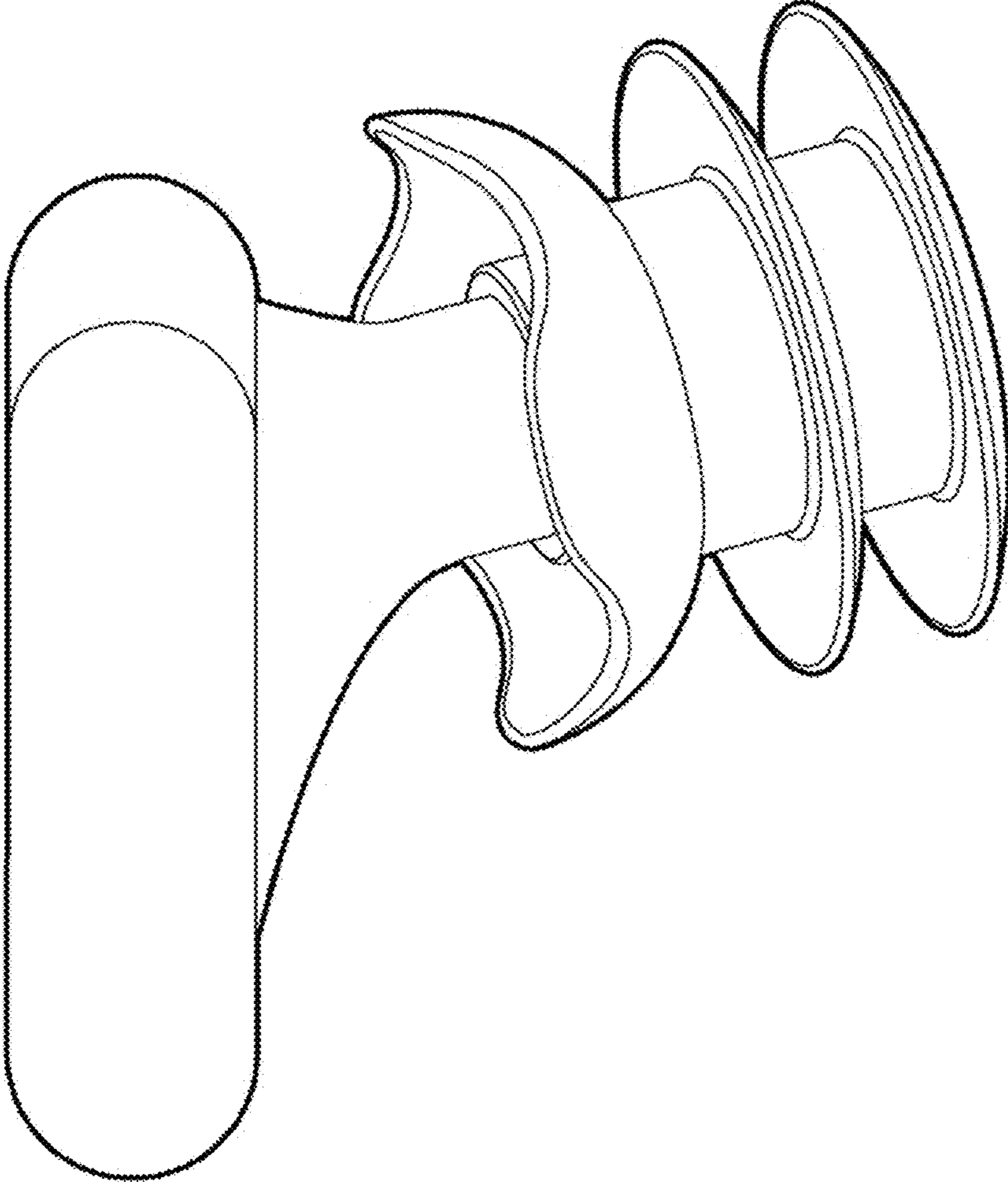
1.5



1.6



1.7



1.8

