



US00D942608S

(12) **United States Design Patent** (10) **Patent No.:** **US D942,608 S**  
**Ho** (45) **Date of Patent:** **\*\* Feb. 1, 2022**

(54) **TOWER FAN**

(71) Applicant: **Seville Classics Inc.**, Torrance, CA (US)

(72) Inventor: **Edwin Ho**, Irvine, CA (US)

(73) Assignee: **Seville Classics, Inc.**, Torrance, CA (US)

(\*\*) Term: **15 Years**

(21) Appl. No.: **29/796,733**

(22) Filed: **Jun. 25, 2021**

**Related U.S. Application Data**

(63) Continuation-in-part of application No. 17/176,055, filed on Feb. 15, 2021.

(51) **LOC (13) Cl.** ..... **23-04**

(52) **U.S. Cl.**  
USPC ..... **D23/378**

(58) **Field of Classification Search**  
USPC ..... D23/370, 380, 381, 382, 411, 332, 328, D23/378

CPC ... F04D 25/008; F04D 25/084; F21V 33/0096  
See application file for complete search history.

(56) **References Cited**

**U.S. PATENT DOCUMENTS**

D322,669 S \* 12/1991 Yamamoto ..... D23/378  
D464,723 S \* 10/2002 Fok ..... D23/378

D510,993 S \* 10/2005 Fok ..... D23/378  
D539,410 S \* 3/2007 Fok ..... D23/378  
D580,541 S \* 11/2008 Bucher ..... D23/378  
D799,671 S \* 10/2017 Deffrennes ..... D23/378  
D809,119 S \* 1/2018 Ho ..... D23/378  
D826,393 S \* 8/2018 Ho ..... D23/378  
D888,223 S \* 6/2020 Yuan ..... D23/378

\* cited by examiner

*Primary Examiner* — Janice Hallmark

(74) *Attorney, Agent, or Firm* — Raymond Sun

(57) **CLAIM**

The ornamental design for a tower fan, as shown and described.

**DESCRIPTION**

FIG. 1 is a perspective view of a tower fan showing my new design.

FIG. 2 is a front view thereof.

FIG. 3 is a rear view thereof.

FIG. 4 is a left view thereof.

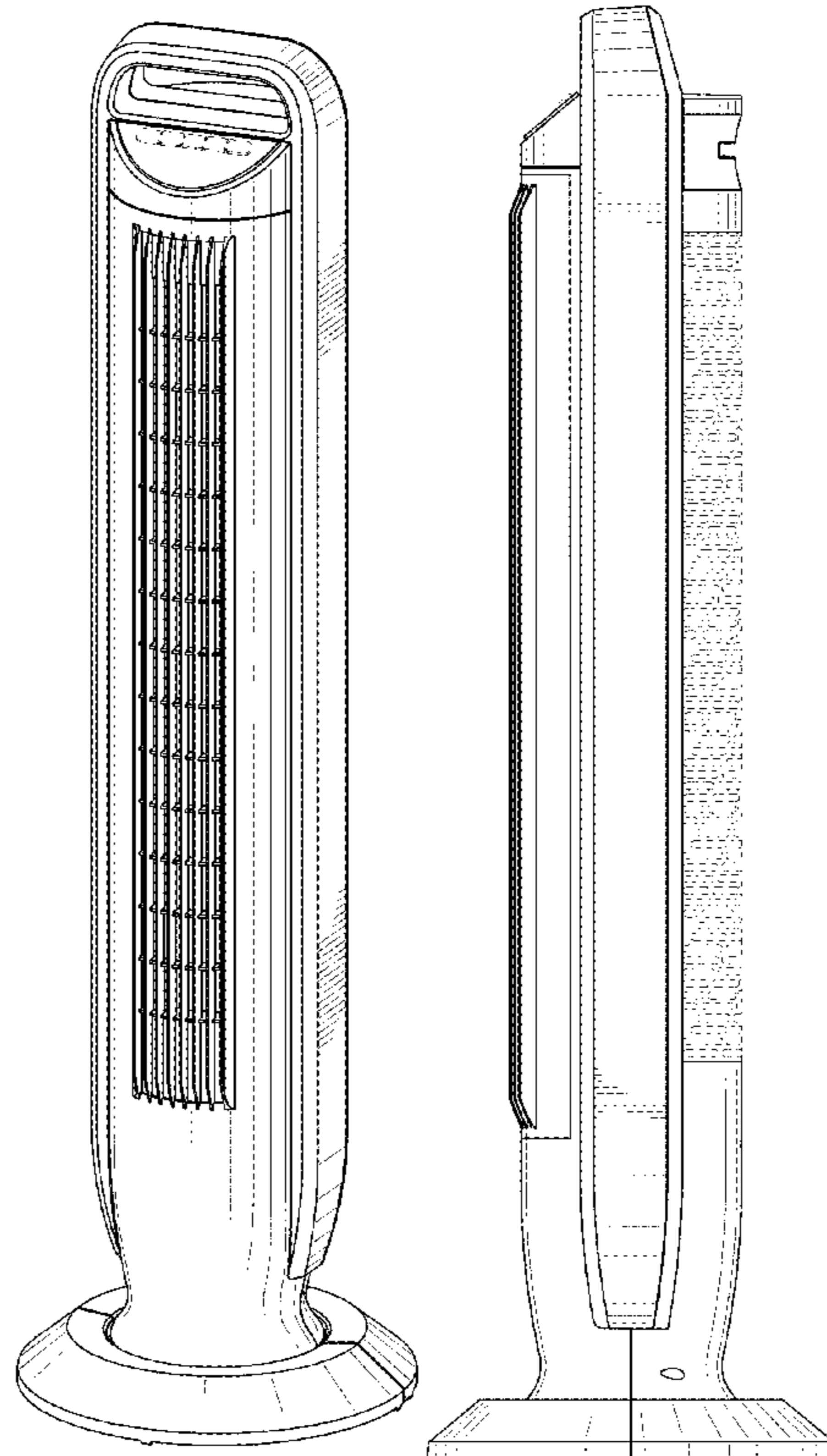
FIG. 5 is a right view thereof.

FIG. 6 is a top view thereof; and,

FIG. 7 is a bottom view thereof.

The broken lines illustrate portions of the tower fan that form no part of the claimed design.

**1 Claim, 6 Drawing Sheets**



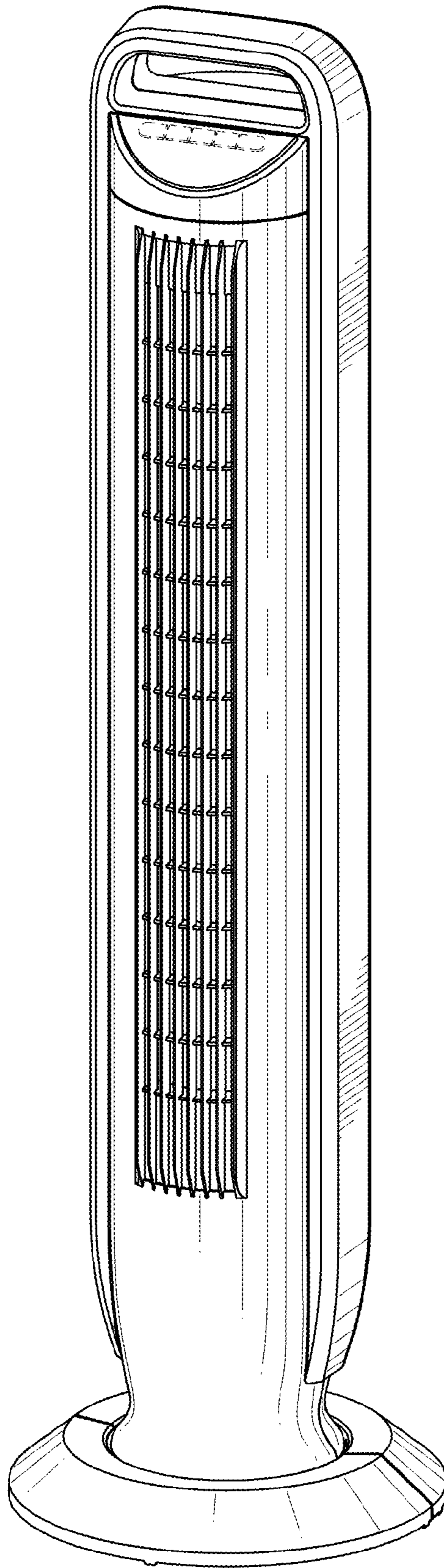


FIG. 1

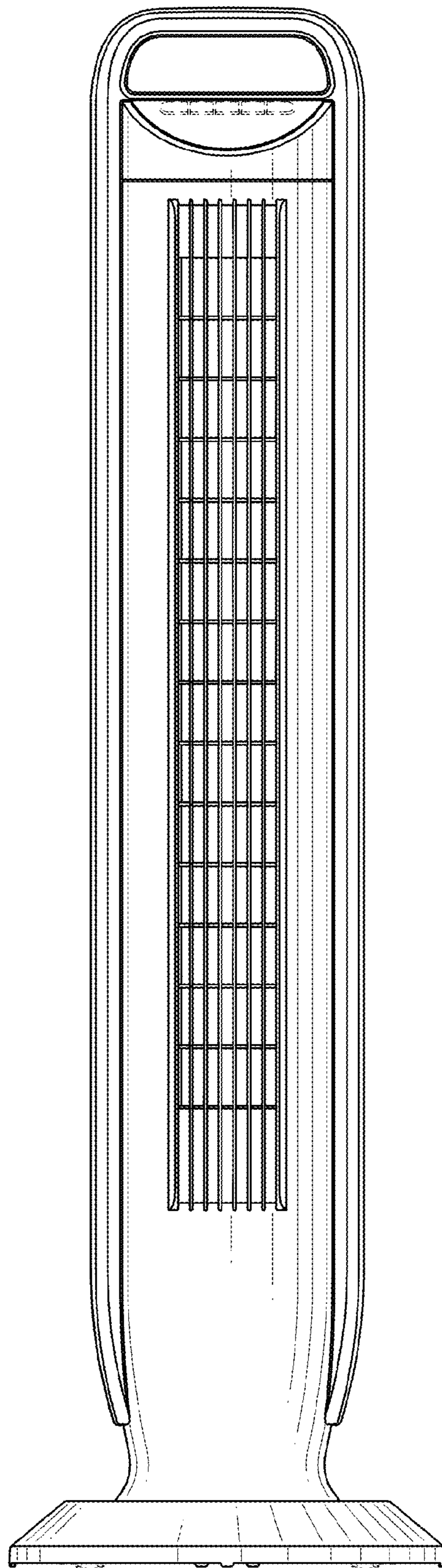


FIG. 2

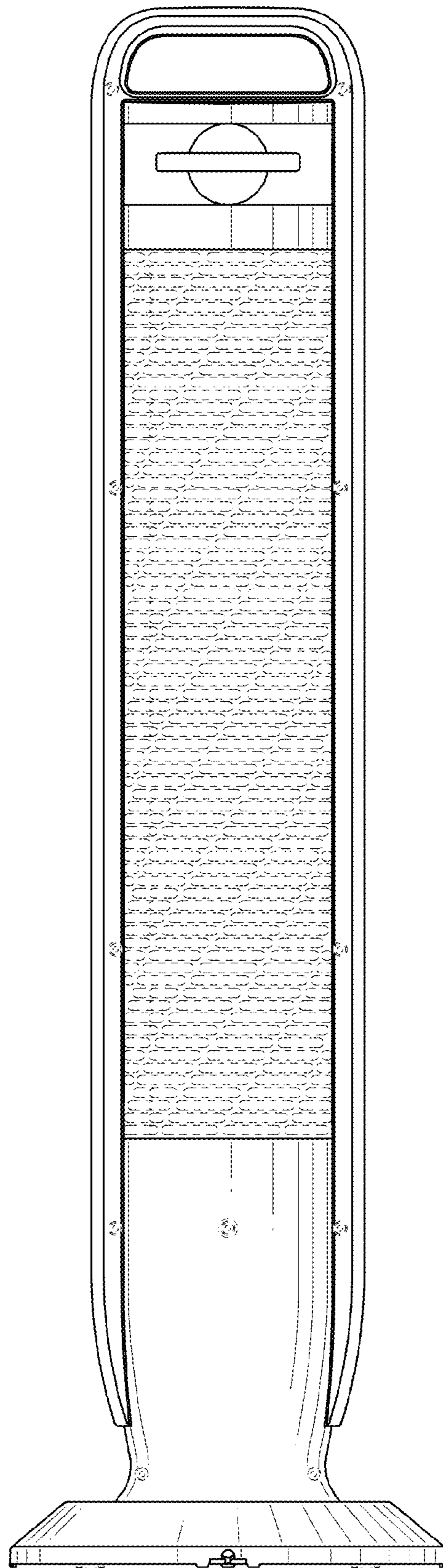


FIG. 3

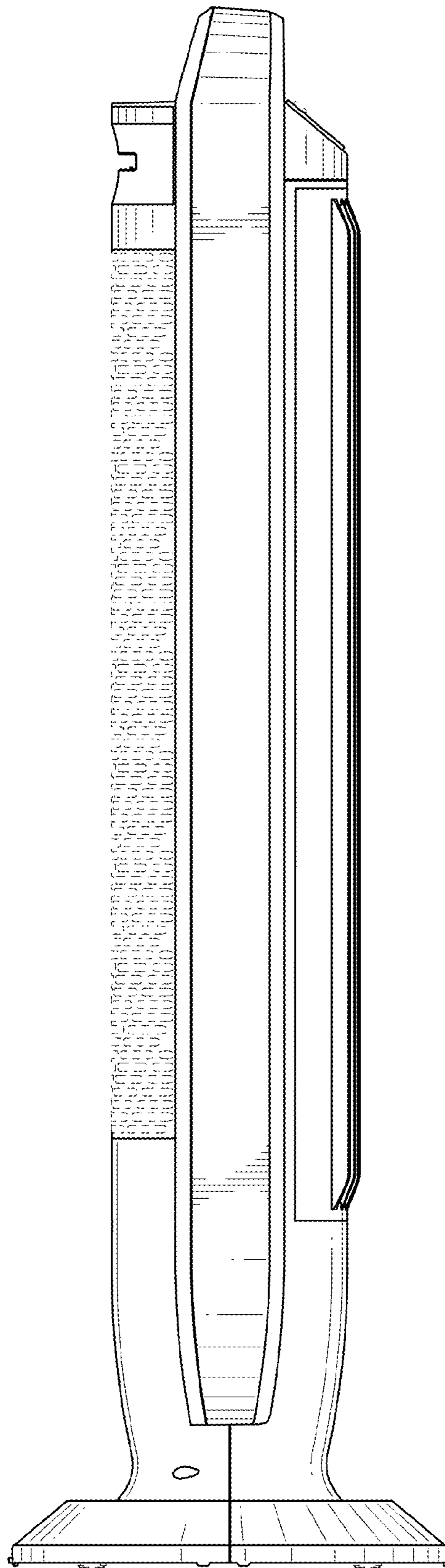


FIG.4

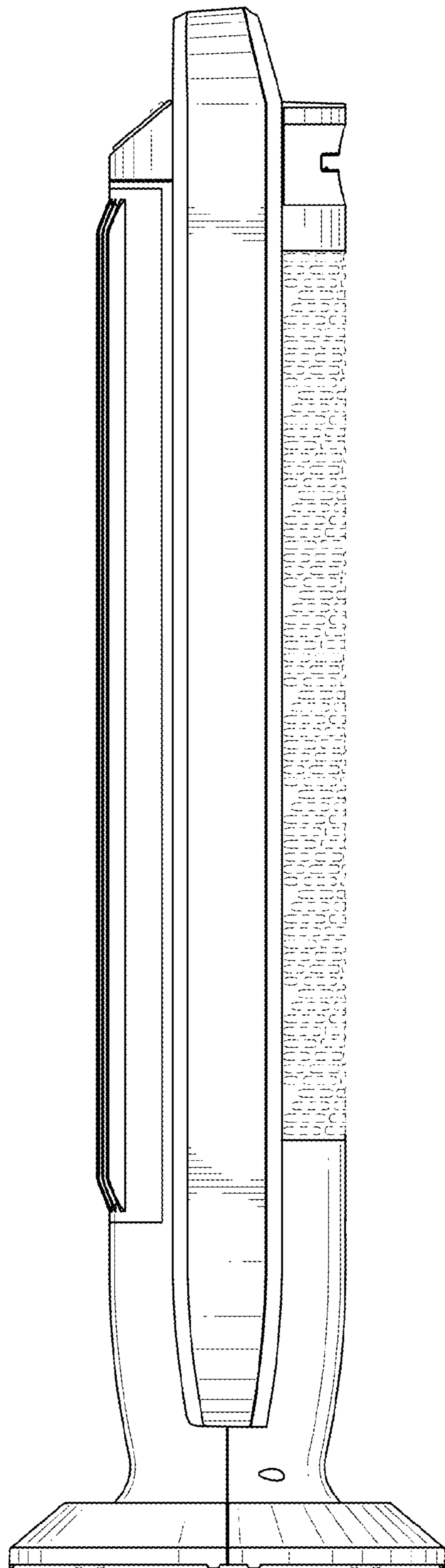


FIG. 5

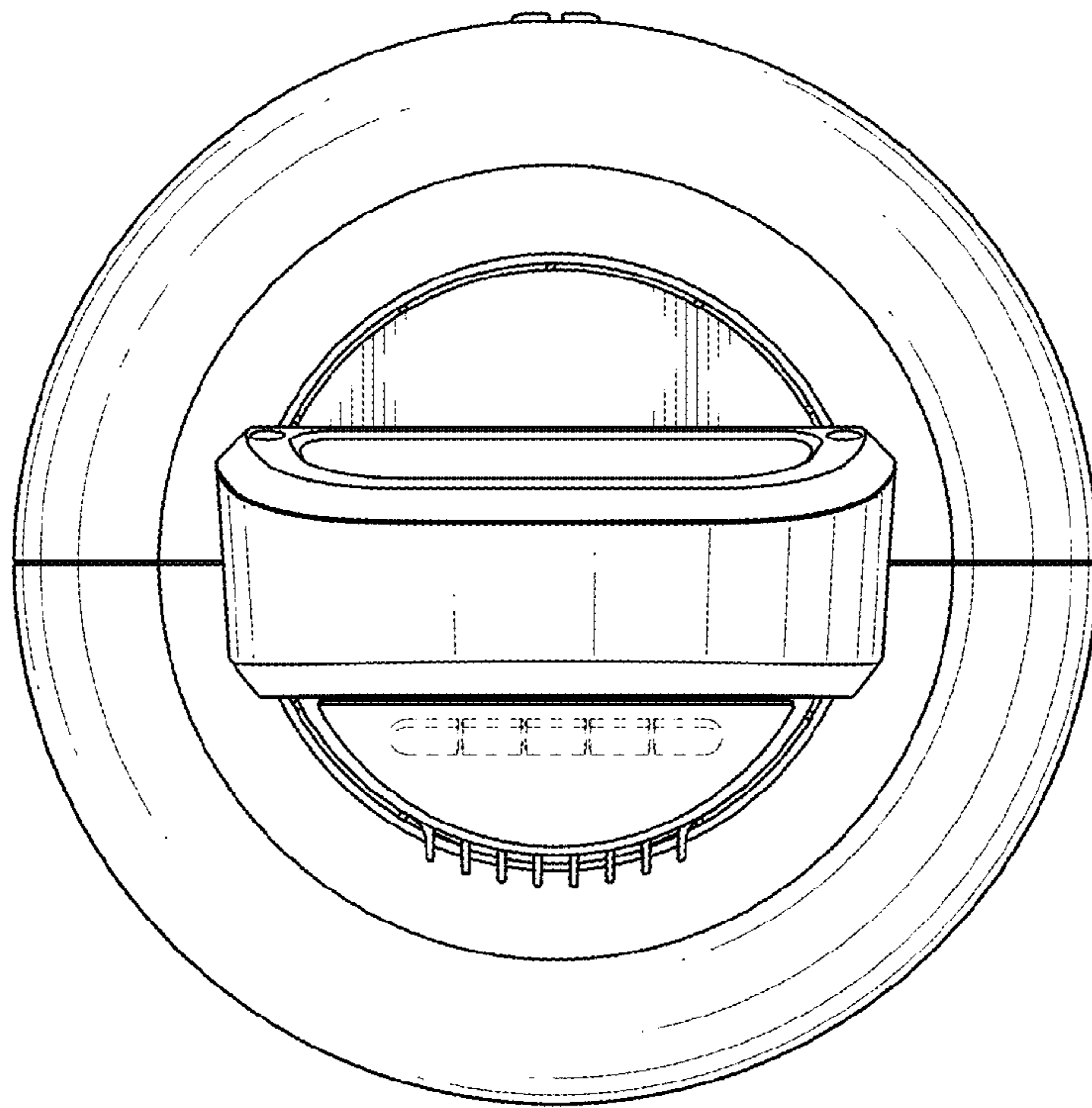


FIG. 6

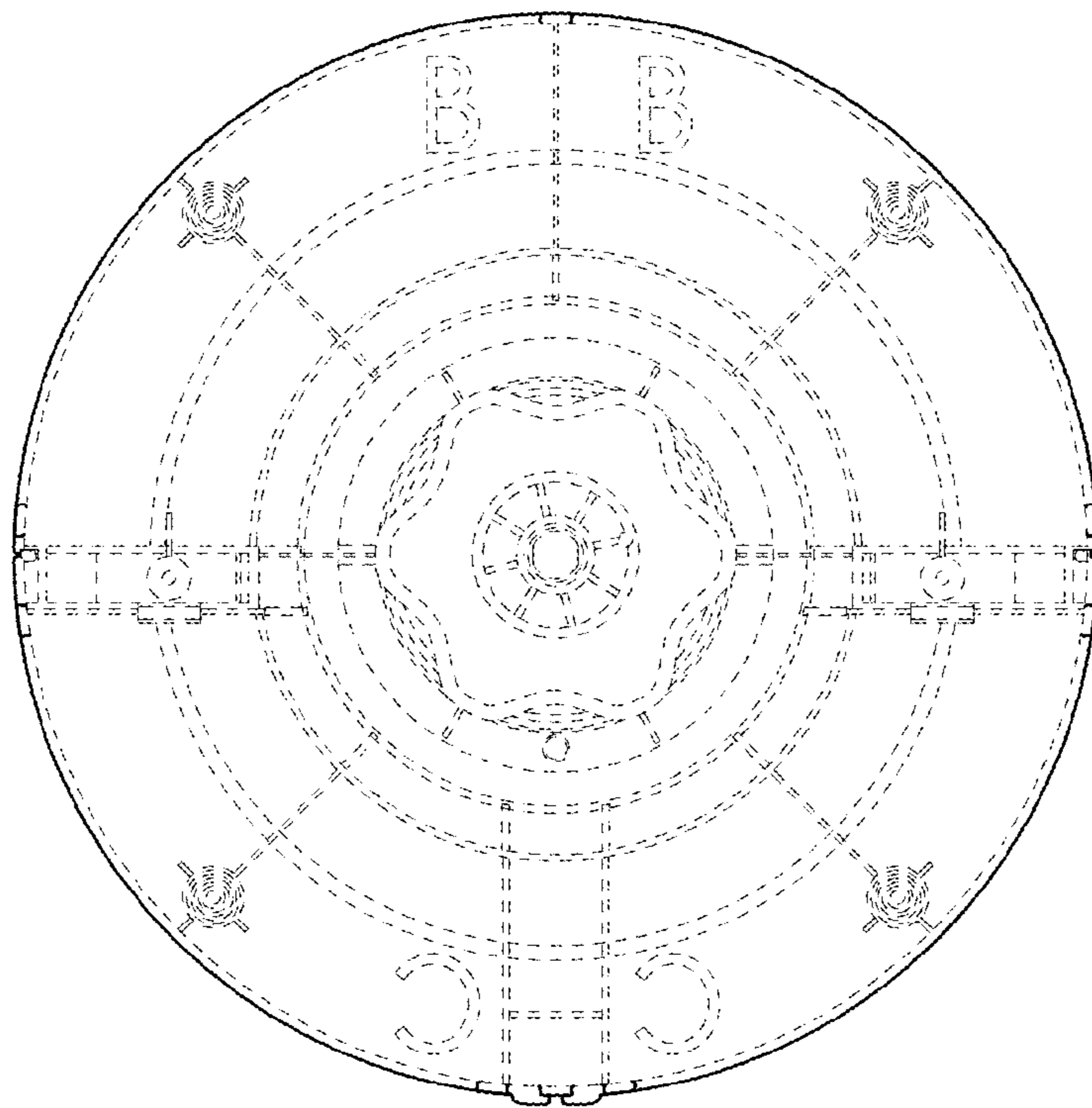


FIG. 7