



US00D942607S

(12) **United States Design Patent**
Eiffert

(10) **Patent No.:** **US D942,607 S**

(45) **Date of Patent:** **** Feb. 1, 2022**

(54) **CEILING FAN**

(71) Applicant: **Hunter Fan Company**, Memphis, TN (US)

(72) Inventor: **Ryan Lee Eiffert**, Memphis, TN (US)

(73) Assignee: **Hunter Fan Company**, Memphis, TN (US)

(**) Term: **15 Years**

(21) Appl. No.: **29/736,809**

(22) Filed: **Jun. 3, 2020**

(51) **LOC (13) Cl.** **23-04**

(52) **U.S. Cl.**
USPC **D23/377**

(58) **Field of Classification Search**
USPC D23/370, 377, 379, 385, 411-414;
D26/59

CPC F04D 25/088; F04D 29/38; F04D 29/384;
F04D 29/386; F21V 33/0096

See application file for complete search history.

(56) **References Cited**

U.S. PATENT DOCUMENTS

1,894,583 A	1/1933	Ferree et al.	
D315,599 S	3/1991	Freeman	
D360,941 S	8/1995	Wang	
D385,026 S	10/1997	Liu	
D618,787 S	6/2010	Hidalgo	
D620,182 S	7/2010	Sabemig	
D706,406 S *	6/2014	Wang	D23/385
D782,644 S	3/2017	Wang	
D799,663 S	10/2017	Wang	
D799,665 S	10/2017	Wang	
D800,289 S *	10/2017	Guthrie	D23/377
D801,510 S *	10/2017	O'Connell	D23/377
D801,516 S *	10/2017	Wang	D23/413
D805,173 S	12/2017	Vajen Habig et al.	
D810,917 S	2/2018	Holmes	

D811,577 S	2/2018	Yang	
D818,104 S	5/2018	Holmes et al.	
D827,123 S *	8/2018	Guthrie	D23/411
D872,252 S *	1/2020	McRoberts	D23/377
D876,609 S *	2/2020	O'Connell	D23/411
D888,224 S *	6/2020	Guthrie	D23/411
D895,786 S *	9/2020	McRoberts	D23/411

(Continued)

OTHER PUBLICATIONS

<https://www.hunterfan.com/ceiling-fans/casablanca-daphne-with-led-light-54-inch-fam941>, Casablanca Daphne with LED Light 54 inch Ceiling Fan, Item No. 59414, accessed May 20, 2019.

(Continued)

Primary Examiner — Sharon S Oum

(74) *Attorney, Agent, or Firm* — McGarry Bair PC

(57) **CLAIM**

The ornamental design for a ceiling fan, as shown and described.

DESCRIPTION

FIG. 1 is a top perspective view of a ceiling fan, showing my new design;

FIG. 2 is a bottom perspective view thereof;

FIG. 3 is a top view thereof;

FIG. 4 is a bottom view thereof;

FIG. 5 is a front view thereof;

FIG. 6 is a rear view thereof;

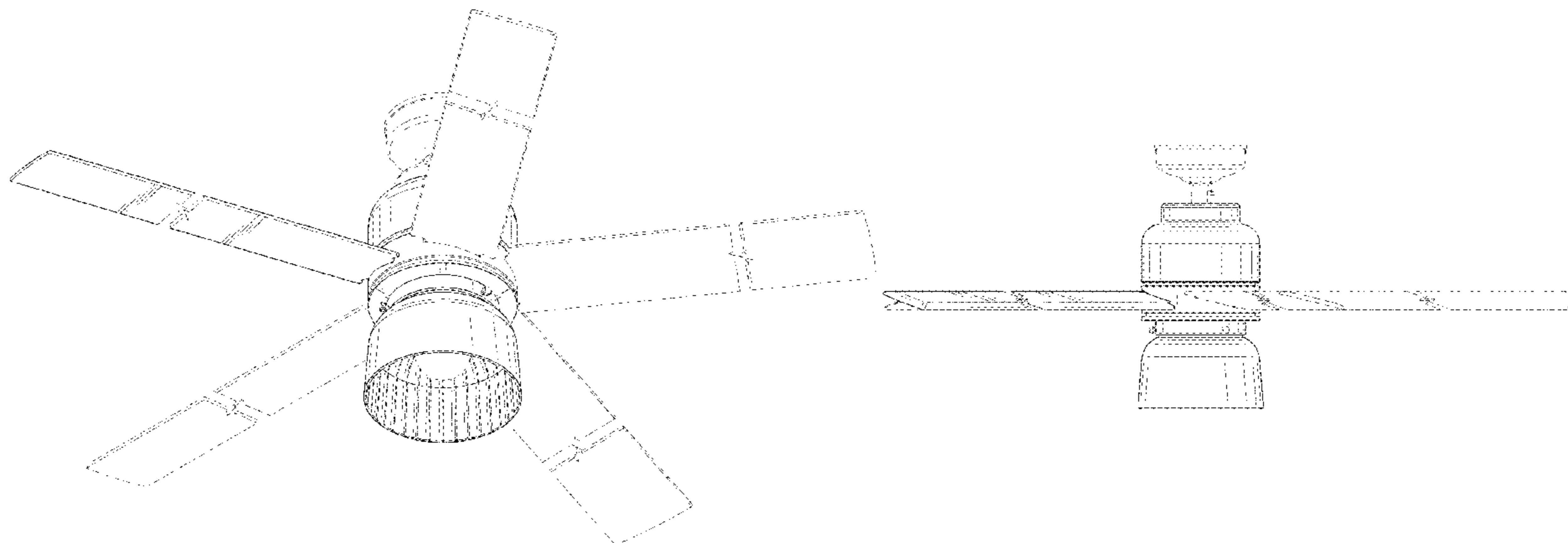
FIG. 7 is a right side view thereof; and,

FIG. 8 is a left side view thereof.

Portions of the ceiling fan shown in broken lines form no part of the claimed design.

The ceiling fan blades are shown with a symbolic break in its length. The appearance of any portion of the ceiling fan blades between the break lines forms no part of the claimed design.

1 Claim, 8 Drawing Sheets



(56)

References Cited

U.S. PATENT DOCUMENTS

10,995,769 B2 * 5/2021 Norwood F04D 29/384

OTHER PUBLICATIONS

<https://www.homedepot.com/p/Hampton-Bay-Milton-52-in-Indoor-Outdoor-Oxide-Bronze-Patina-Ceiling-Fan-with-Light-Kit-and-Wall-Control-AC370-OBP/202549815>, Hampton Bay Milton 52 in. Indoor/Outdoor Oxide Bronze Patina Ceiling Fan with Light Kit and Wall Control, Model No. AC370-OBP, accessed May 20, 2019.

<https://www.craftmade.com/montreal-mn44bnk4-led>, Craftmade Montreal 44" Ceiling Fan with Blades and Light Kit, Model No. MN44BNK4-LED, accessed May 20, 2019.

<https://www.hunterfan.com/ceiling-fans/bennett-with-light-52-inch-fam858>, Hunter Bennett with Light 52 Inch, Item No. 54188, accessed May 20, 2019.

<https://www.hunterfan.com/ceiling-fans/devon-park-with-3-lights-52-inch-fam842>, Hunter Sophia with LED Light 54 inch Ceiling Fan, Item No. 59271, accessed May 20, 2019.

<https://www.hunterfan.com/ceiling-fans/devon-park-with-3-lights-52-inch-fam842>, Hunter Devon Park with 3 Lights 52 inch Ceiling Fan, Item No. 54201, accessed May 20, 2019.

<https://www.minkagroup.net/f902l-ch.html>, Minka Aire Bling LED 56" Ceiling Fan, Model No. F902L-CH, accessed May 20, 2019.

<https://www.kichler.com/kichler/products/ceiling-fans/indoor-ceiling-fans/52-inch-lyndon-patio-fan-dbk/>, Kichler Lyndon Patio 52" Fan Distressed Black, Model No. 310139DBK, accessed May 20, 2019.

* cited by examiner

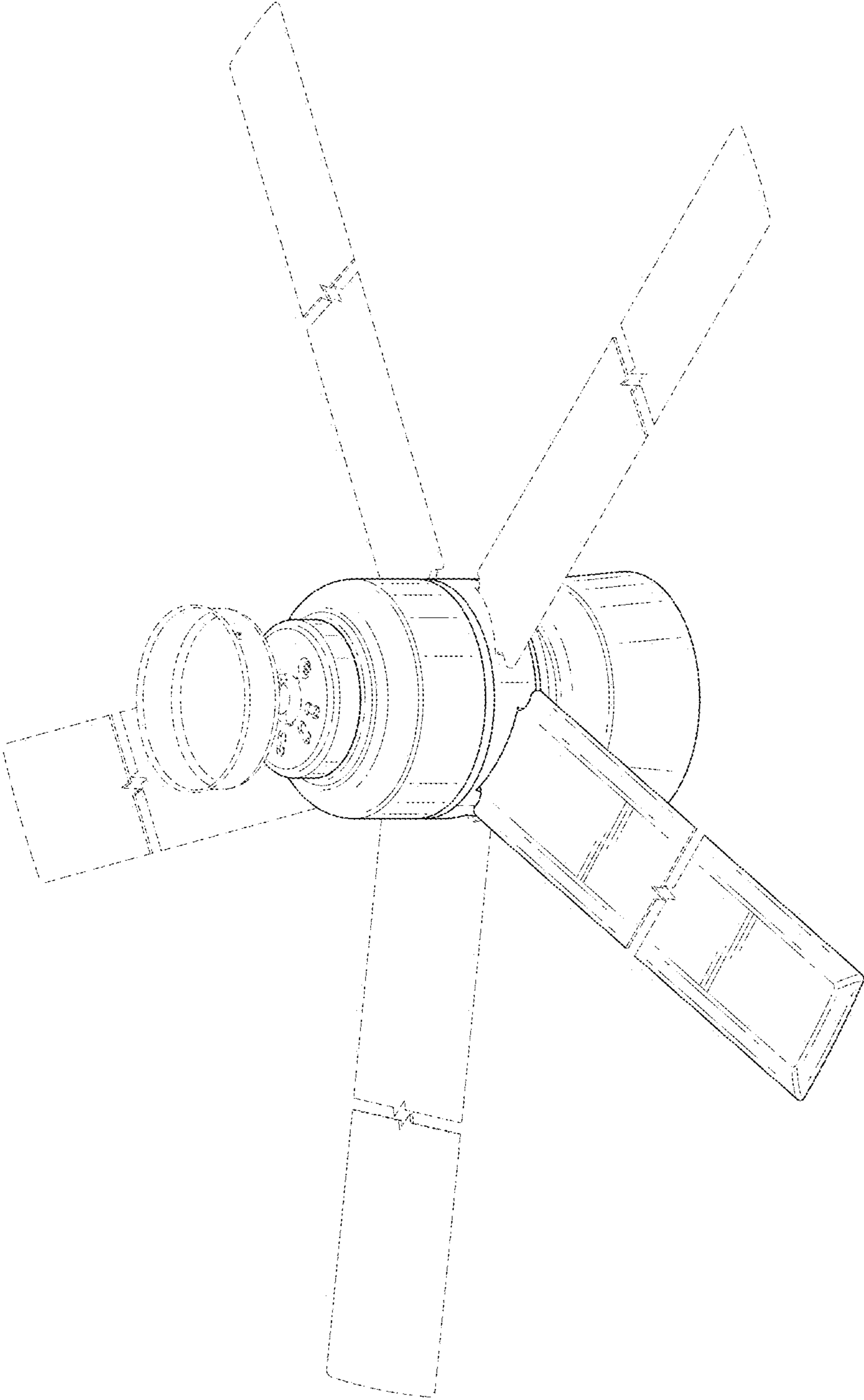


FIG. 1

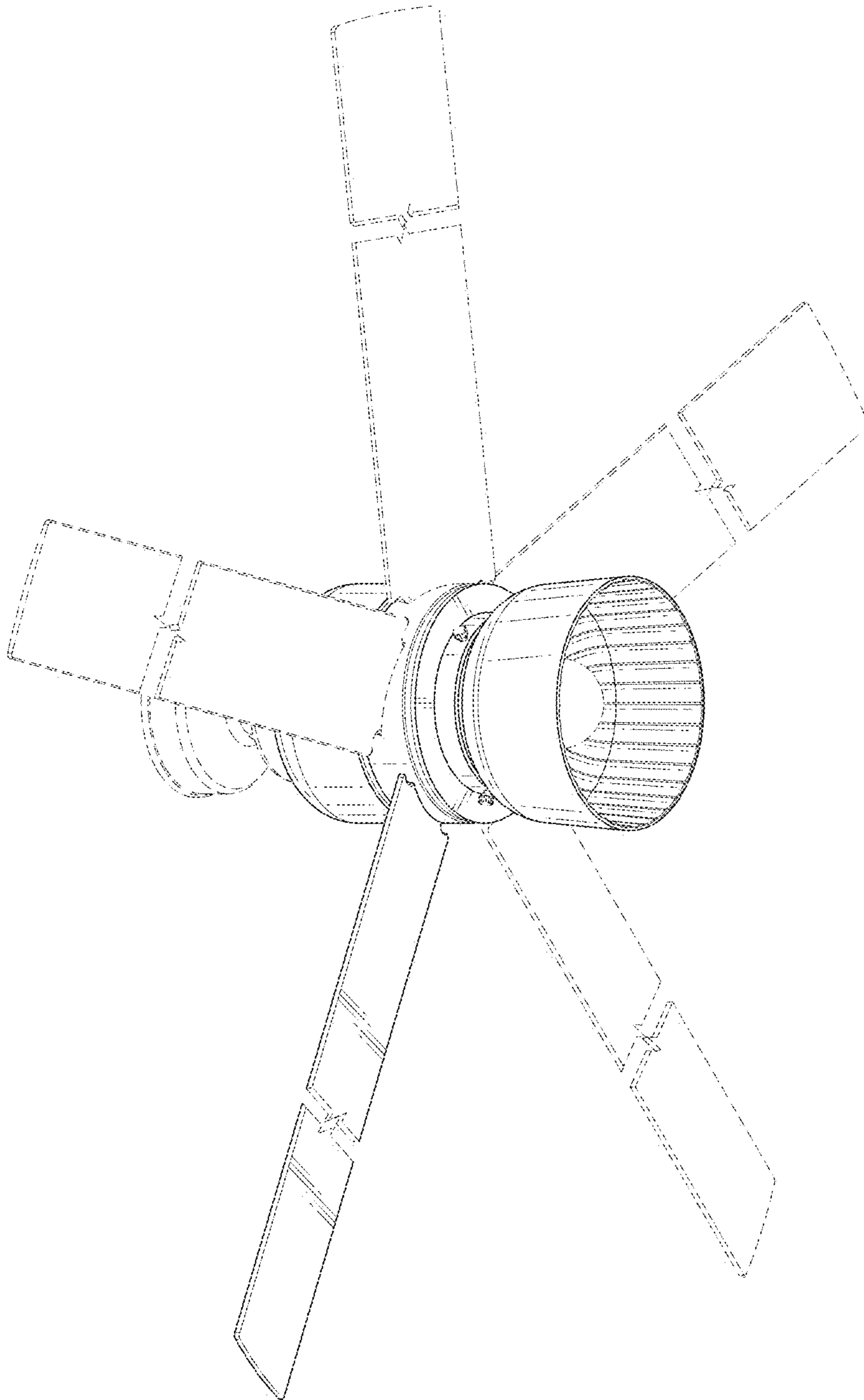


FIG. 2

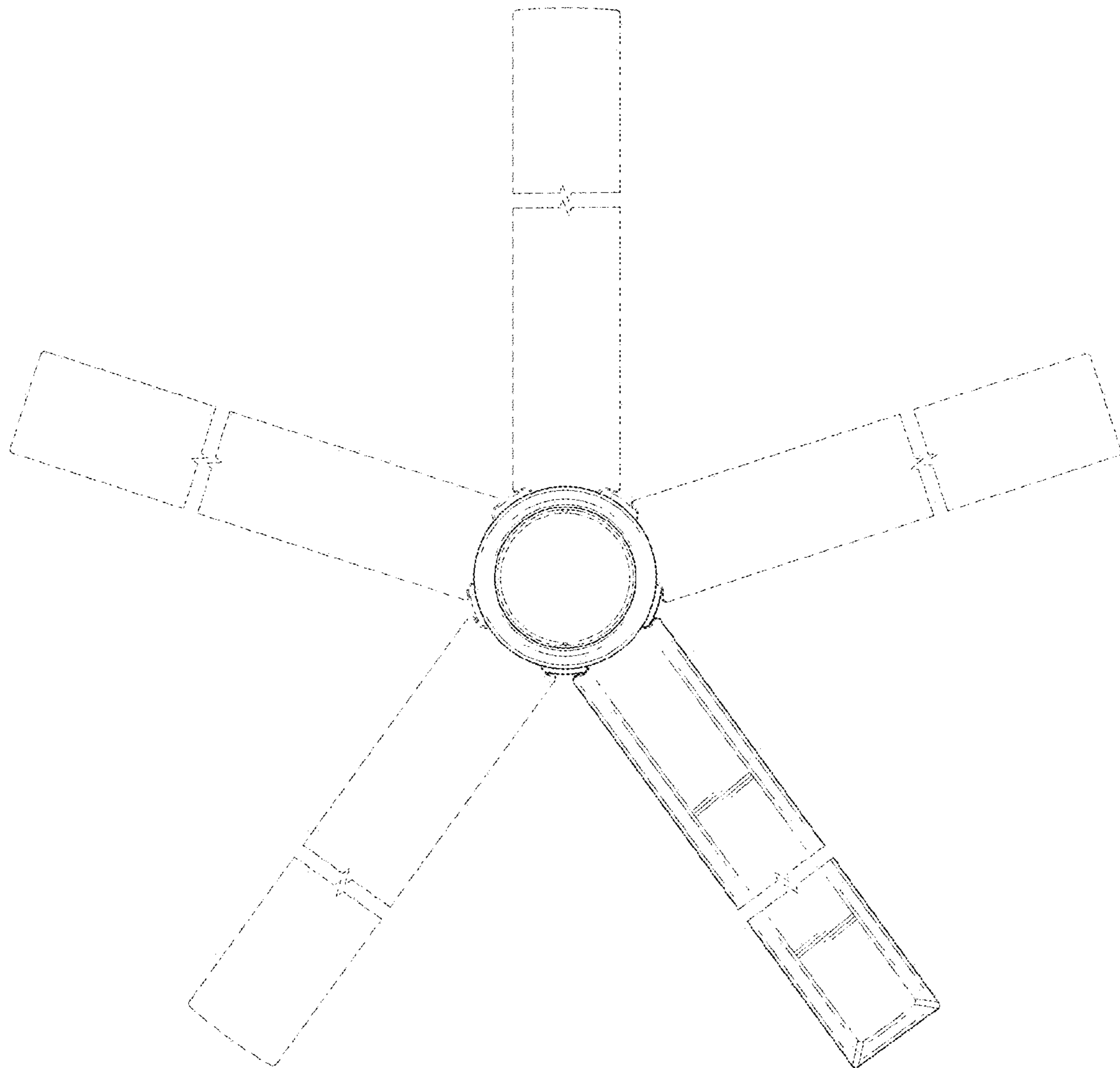


FIG. 3

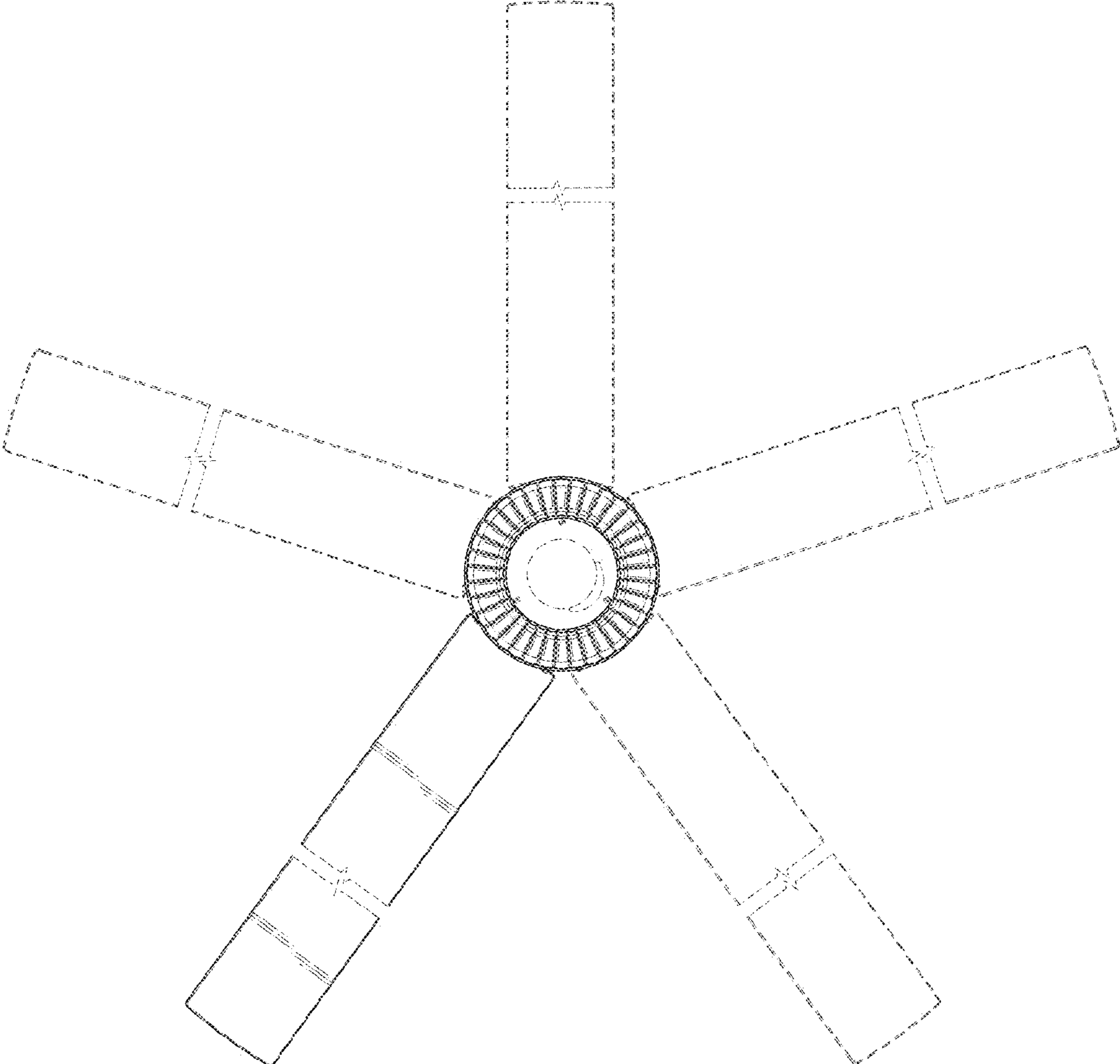


FIG. 4

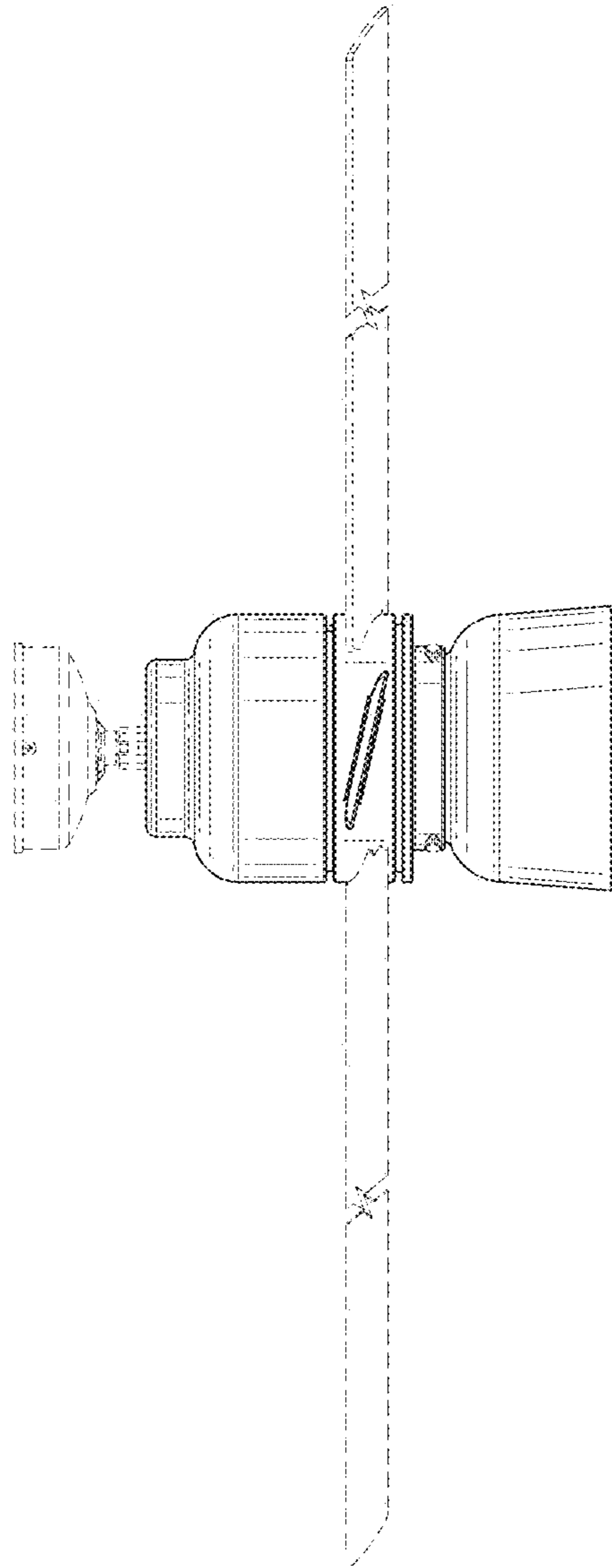


FIG. 5

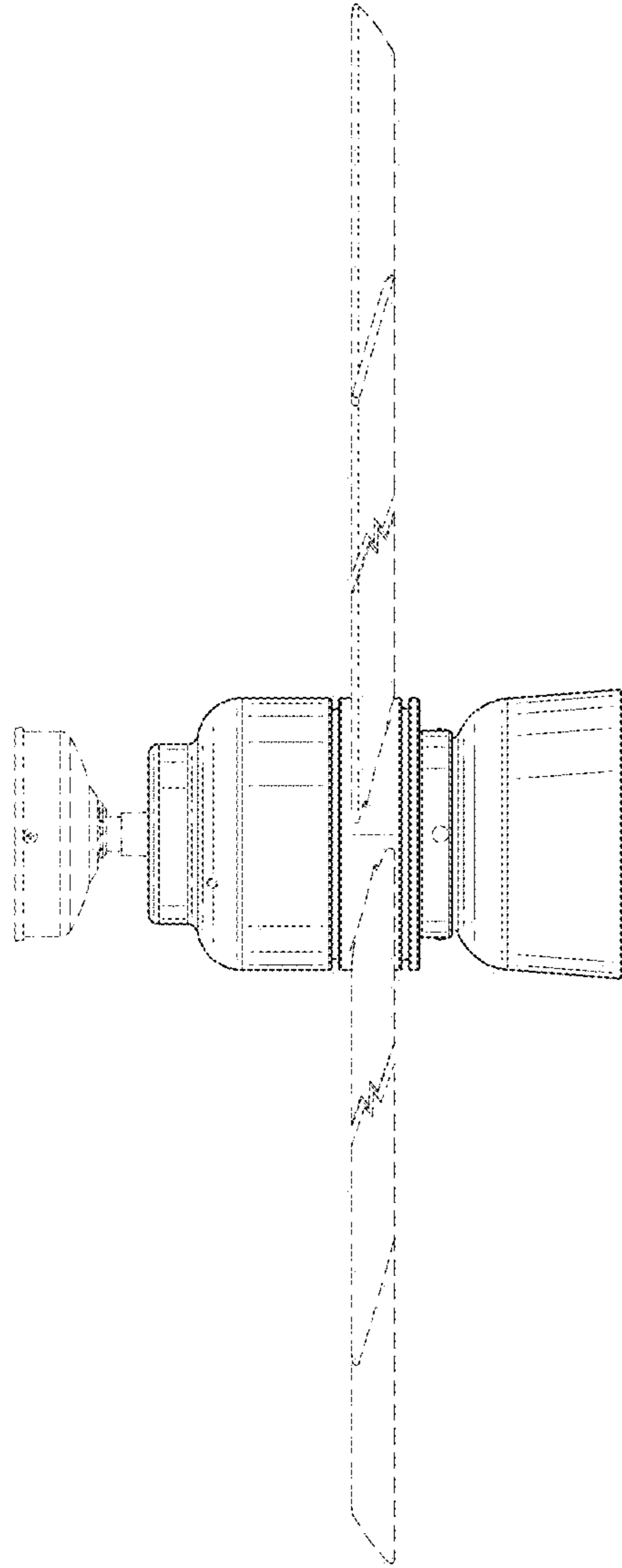


FIG. 6

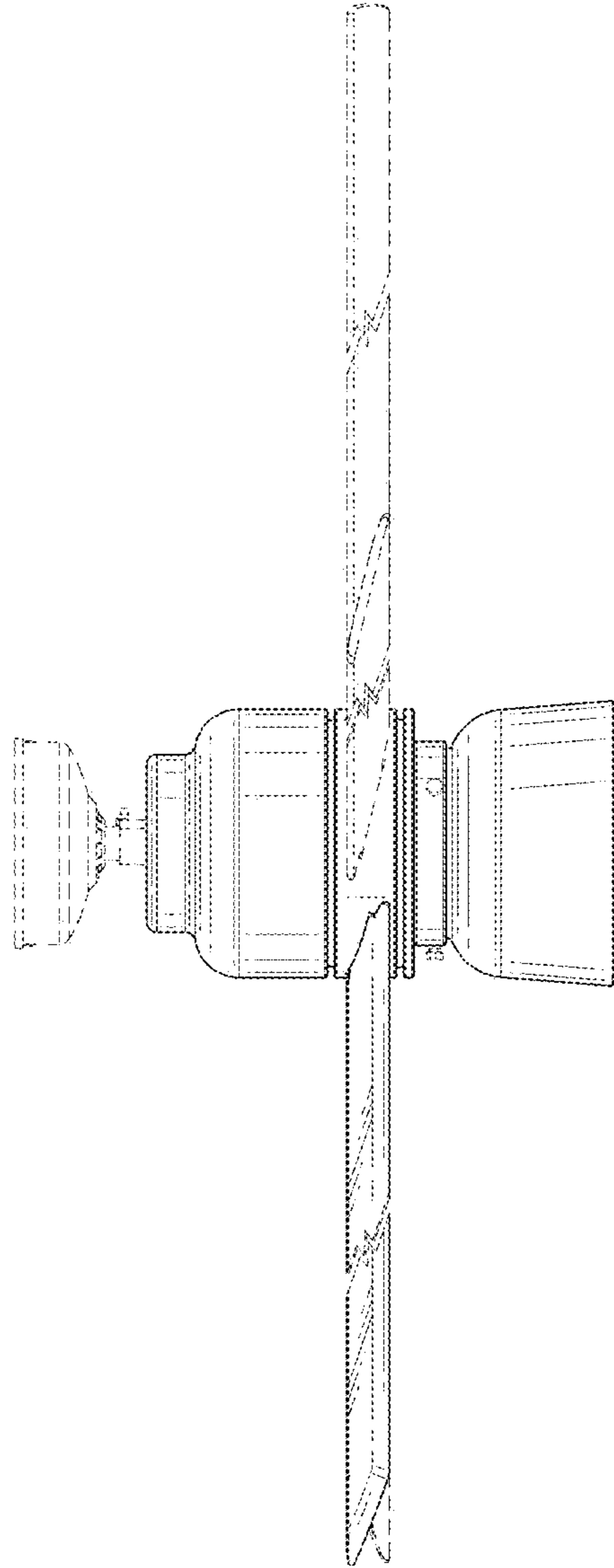


FIG. 7

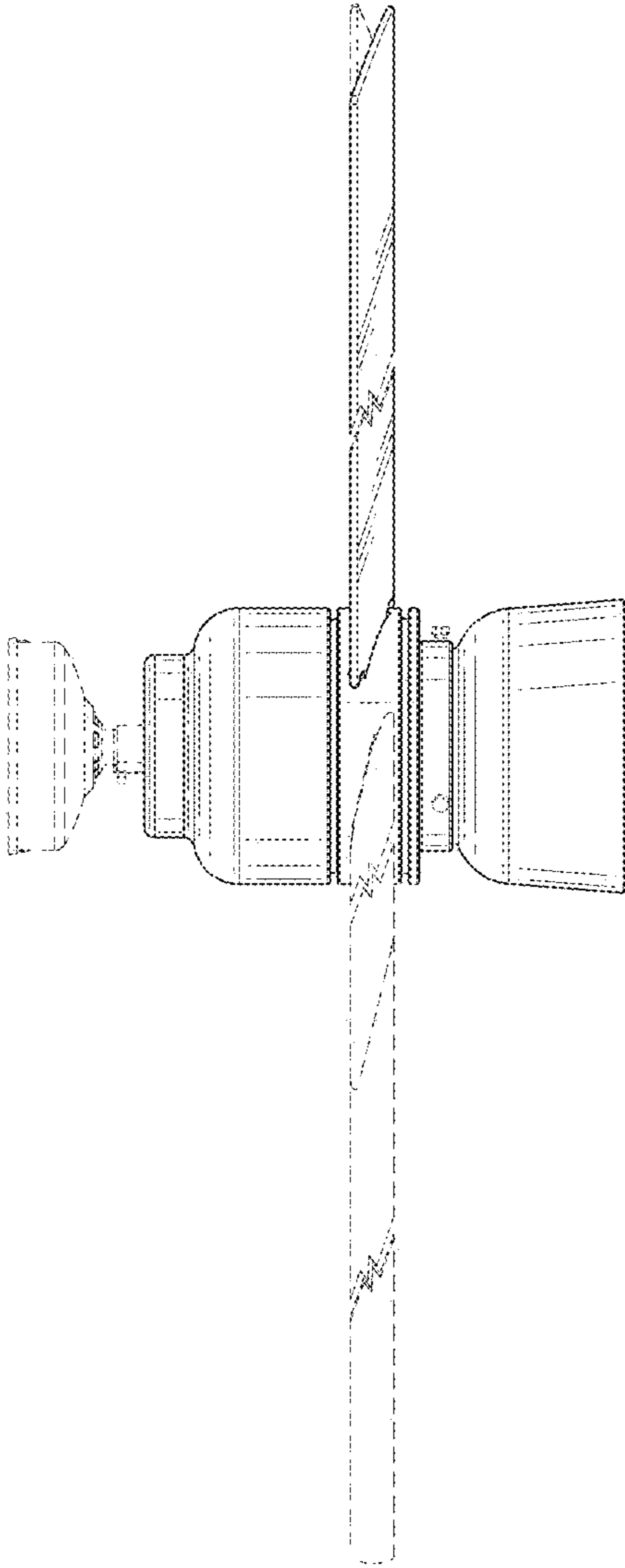


FIG. 8