



US00D942606S

(12) **United States Design Patent** (10) **Patent No.:** **US D942,606 S**
Fu (45) **Date of Patent:** **** Feb. 1, 2022**

(54) **HEATING AND COOLING FAN**
(71) Applicant: **Ruochen Fu**, Changsha (CN)
(72) Inventor: **Ruochen Fu**, Changsha (CN)
(**) Term: **15 Years**
(21) Appl. No.: **29/773,115**
(22) Filed: **Mar. 8, 2021**
(51) **LOC (13) Cl.** **23-02**
(52) **U.S. Cl.**
USPC **D23/370; D23/342**
(58) **Field of Classification Search**
USPC D23/328, 332, 333, 342, 355, 356, 364,
D23/370, 378, 380, 381, 382, 411
CPC F04D 29/005; F24F 13/20; F24F 13/26;
F24F 2110/10; F24F 7/06; F24F 7/065;
F24H 3/022; F24H 3/0417
See application file for complete search history.

D768,841 S * 10/2016 Peet D23/370
D768,842 S * 10/2016 Peet D23/370
9,599,356 B2 * 3/2017 Staniforth F04F 5/16
D783,140 S * 4/2017 Poulton D23/370
D783,141 S * 4/2017 Poulton D23/370
D783,142 S * 4/2017 Poulton D23/370
D783,143 S * 4/2017 Poulton D23/370
D790,681 S * 6/2017 Poulton D23/370
9,752,789 B2 * 9/2017 Staniforth F04F 5/46
D888,219 S * 6/2020 Peet D23/370
D888,927 S * 6/2020 Hodgson D23/370
D888,928 S * 6/2020 Hodgson D23/370
D923,767 S * 6/2021 Oram D23/356
D927,658 S * 8/2021 Fu D23/332
D930,140 S * 9/2021 Fu D23/370

* cited by examiner

Primary Examiner — Janice Hallmark

(57) **CLAIM**

The ornamental design for a heating and cooling fan, as shown and described.

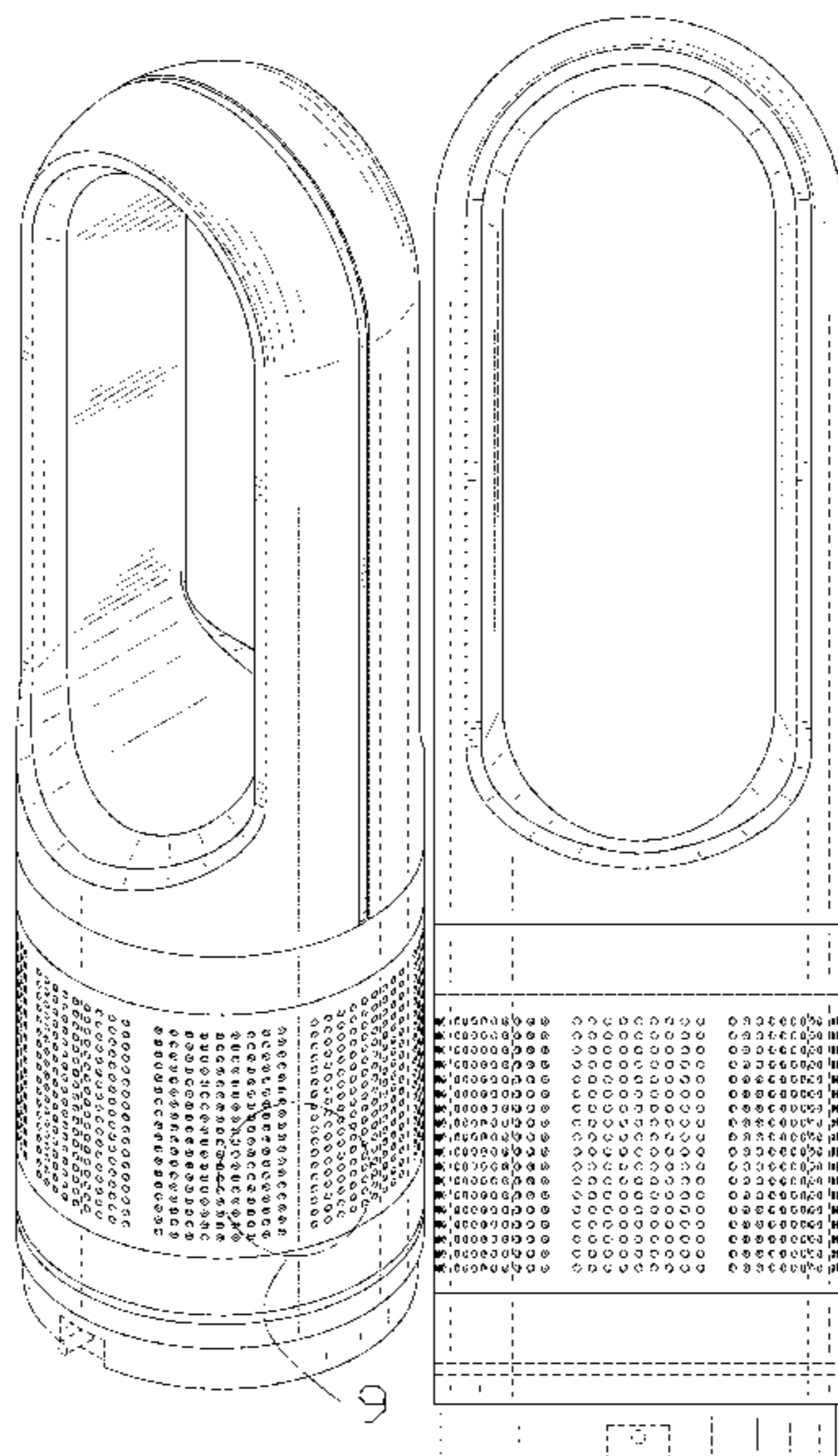
DESCRIPTION

FIG. 1 is a front and top perspective view of a heating and cooling fan, showing my new design;
FIG. 2 is a rear and bottom perspective view thereof;
FIG. 3 is a front elevation view thereof;
FIG. 4 is a rear elevation view thereof;
FIG. 5 is a left side elevation view thereof;
FIG. 6 is a right side elevation view thereof;
FIG. 7 is a top plan view thereof;
FIG. 8 is a bottom plan view thereof; and,
FIG. 9 is an enlarged view of a portion indicated with numeric 9 in FIG. 1.
The broken lines in the figures illustrate portions of the heating and cooling fan that form no part of the claimed design. The dash dot dash lines in FIGS. 1 and 9 are for the purpose of depicting the cut line of the enlarged view and form no part of the claim.

1 Claim, 9 Drawing Sheets

(56) **References Cited**
U.S. PATENT DOCUMENTS

D598,532 S * 8/2009 Dyson F04F 5/16
D23/370
D602,144 S * 10/2009 Dyson F04F 5/16
D23/370
D638,114 S * 5/2011 Li D23/370
D643,098 S * 8/2011 Wallace D23/342
D672,023 S * 12/2012 Wallace D23/370
D716,425 S 10/2014 Tai et al.
D728,092 S * 4/2015 Poulton D23/370
D728,769 S * 5/2015 Dyson D23/370
D728,770 S * 5/2015 Dyson D23/370
D729,372 S * 5/2015 McPherson D23/370
D729,925 S * 5/2015 McPherson D23/370
D746,966 S * 1/2016 Dyson D23/356
9,410,711 B2 * 8/2016 Wilson F04D 25/08
D768,280 S * 10/2016 Peet D23/370
D768,281 S * 10/2016 Peet D23/370
D768,840 S * 10/2016 Peet D23/370



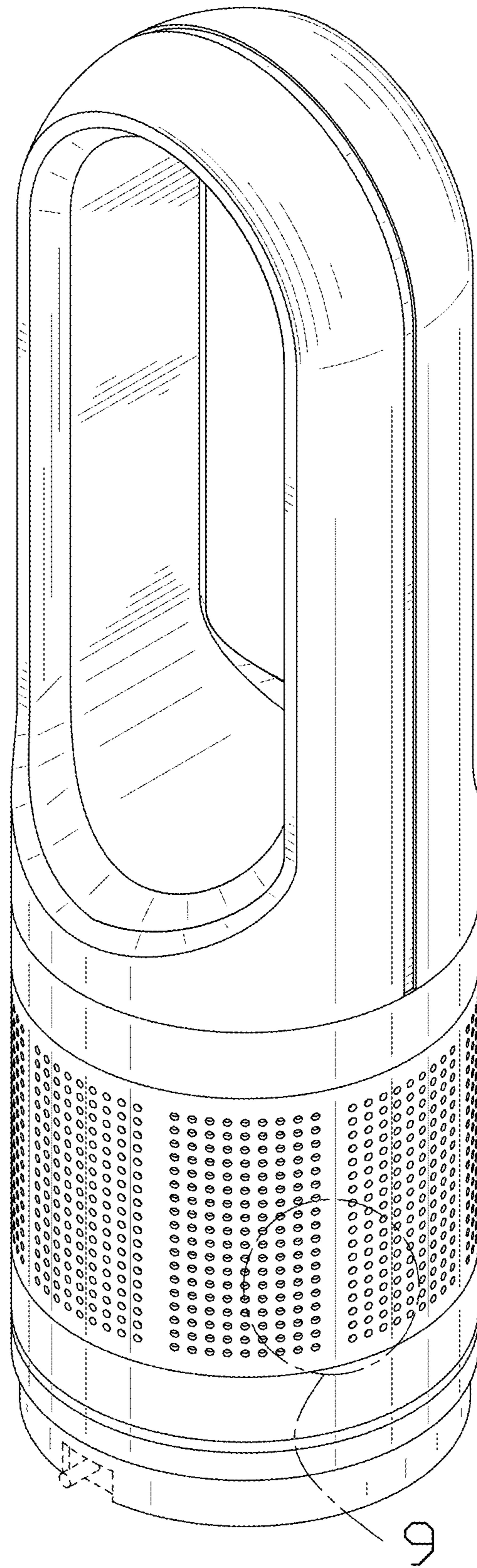


FIG. 1

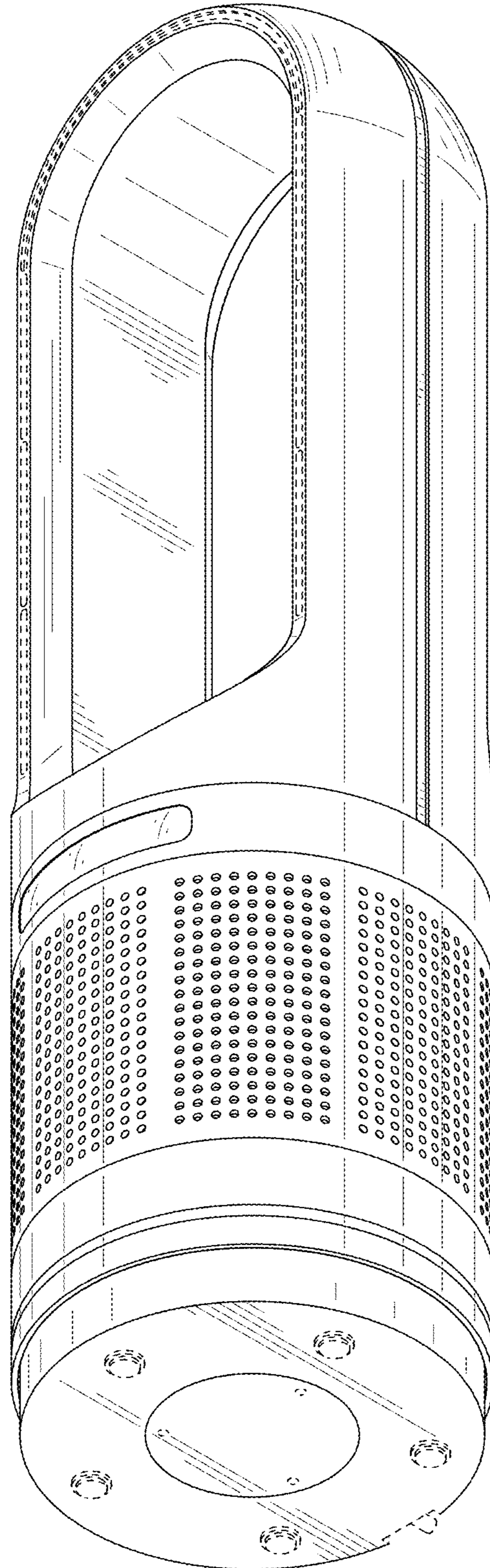


FIG. 2

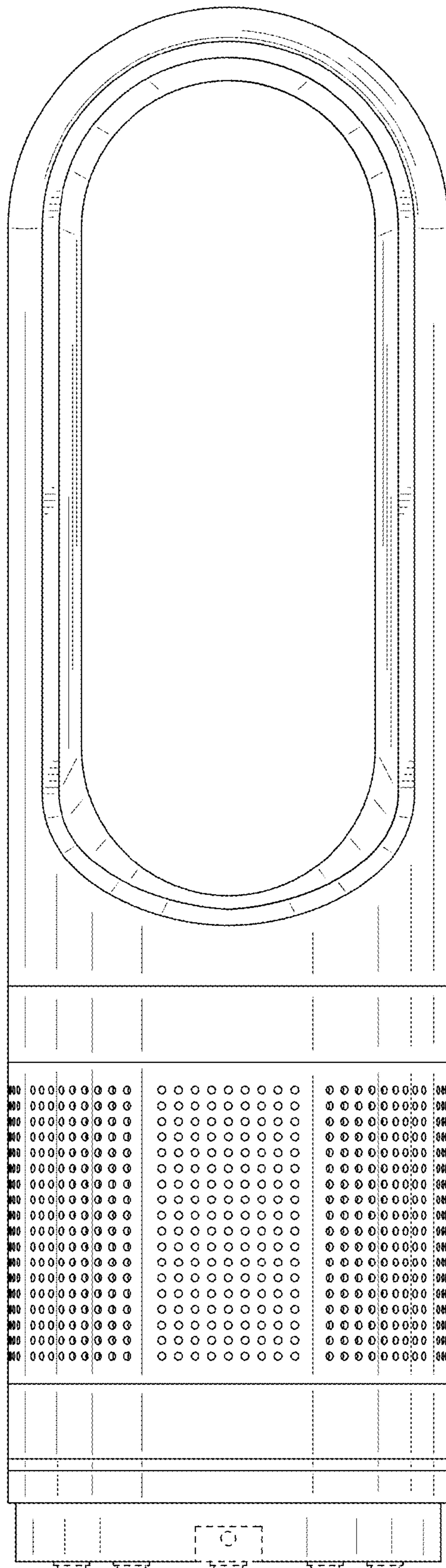


FIG. 3

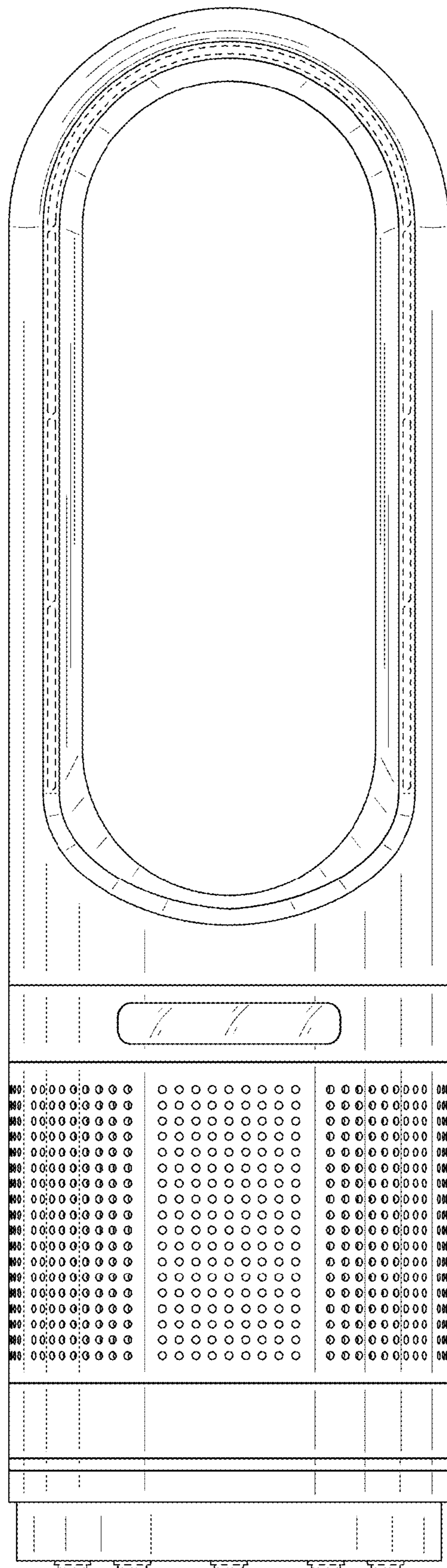


FIG. 4

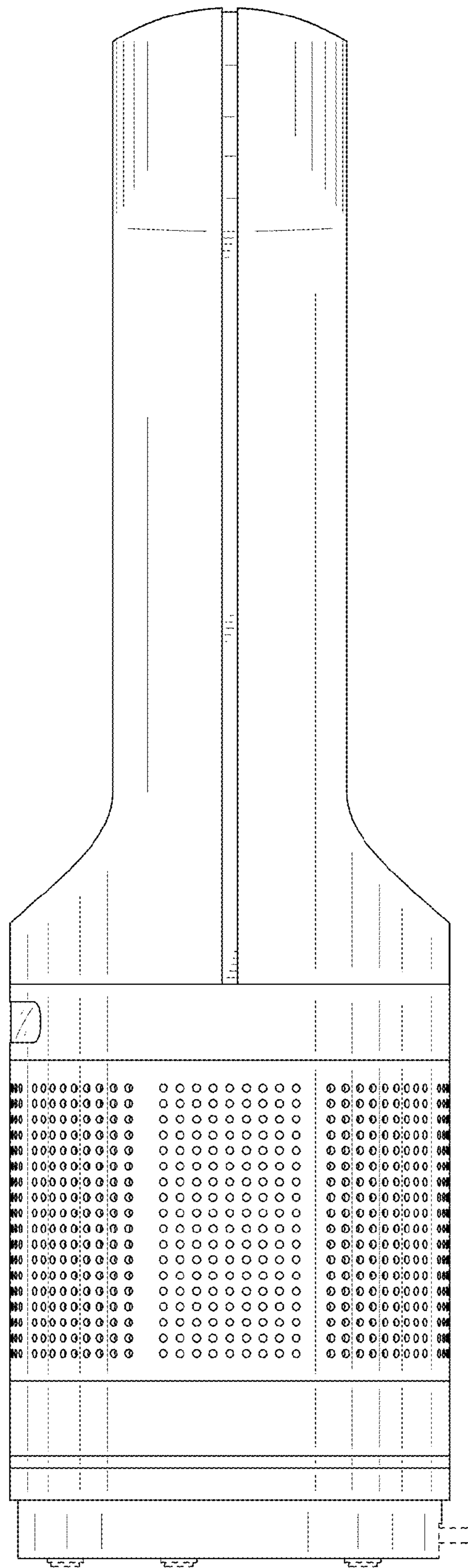


FIG. 5

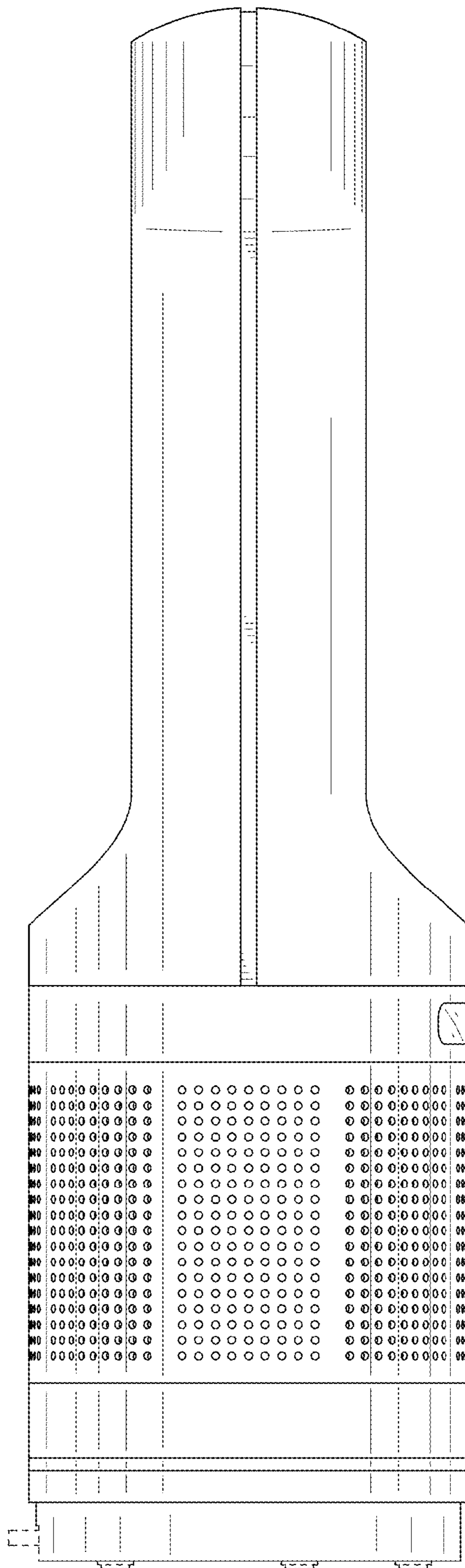


FIG. 6

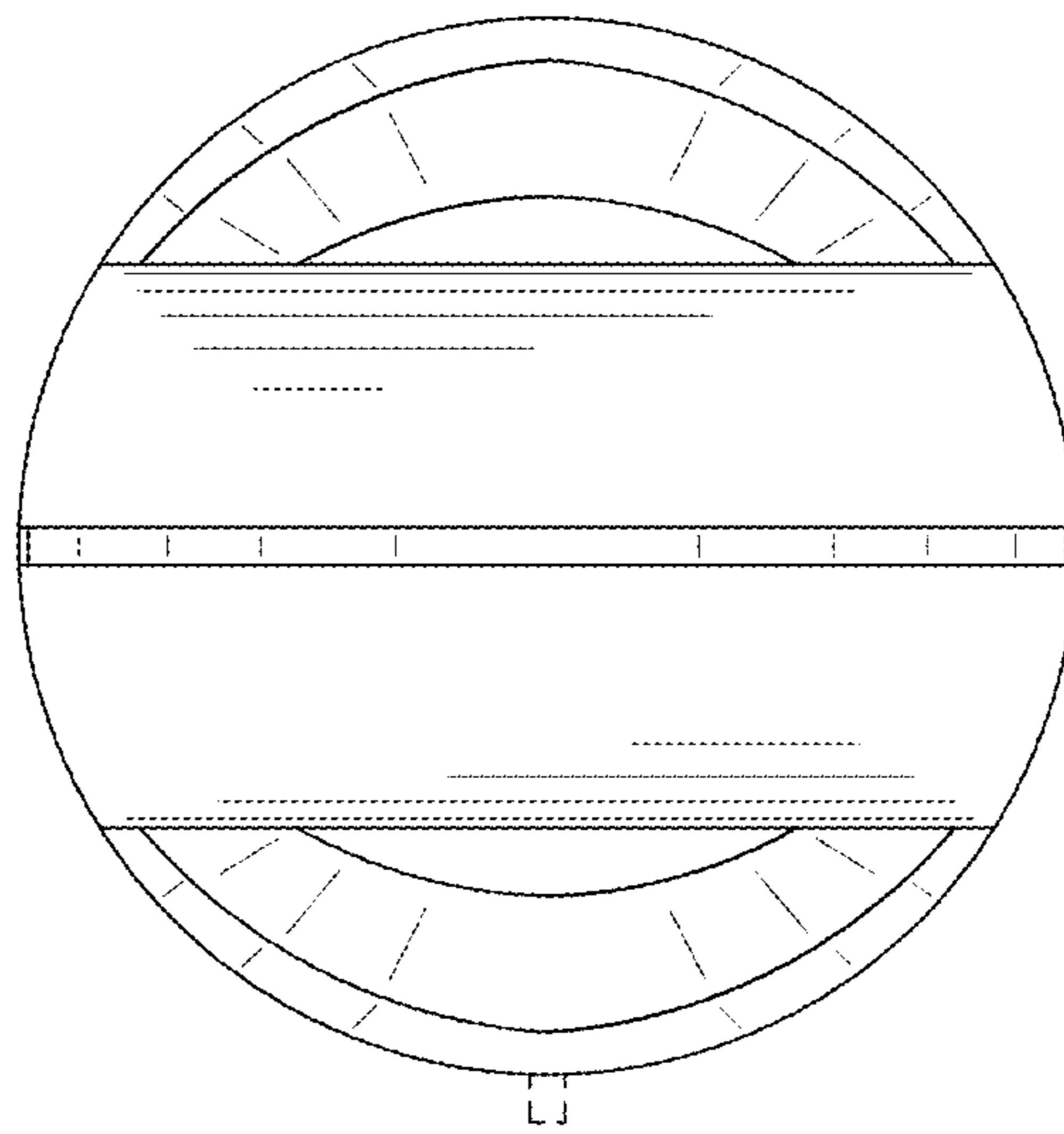


FIG. 7

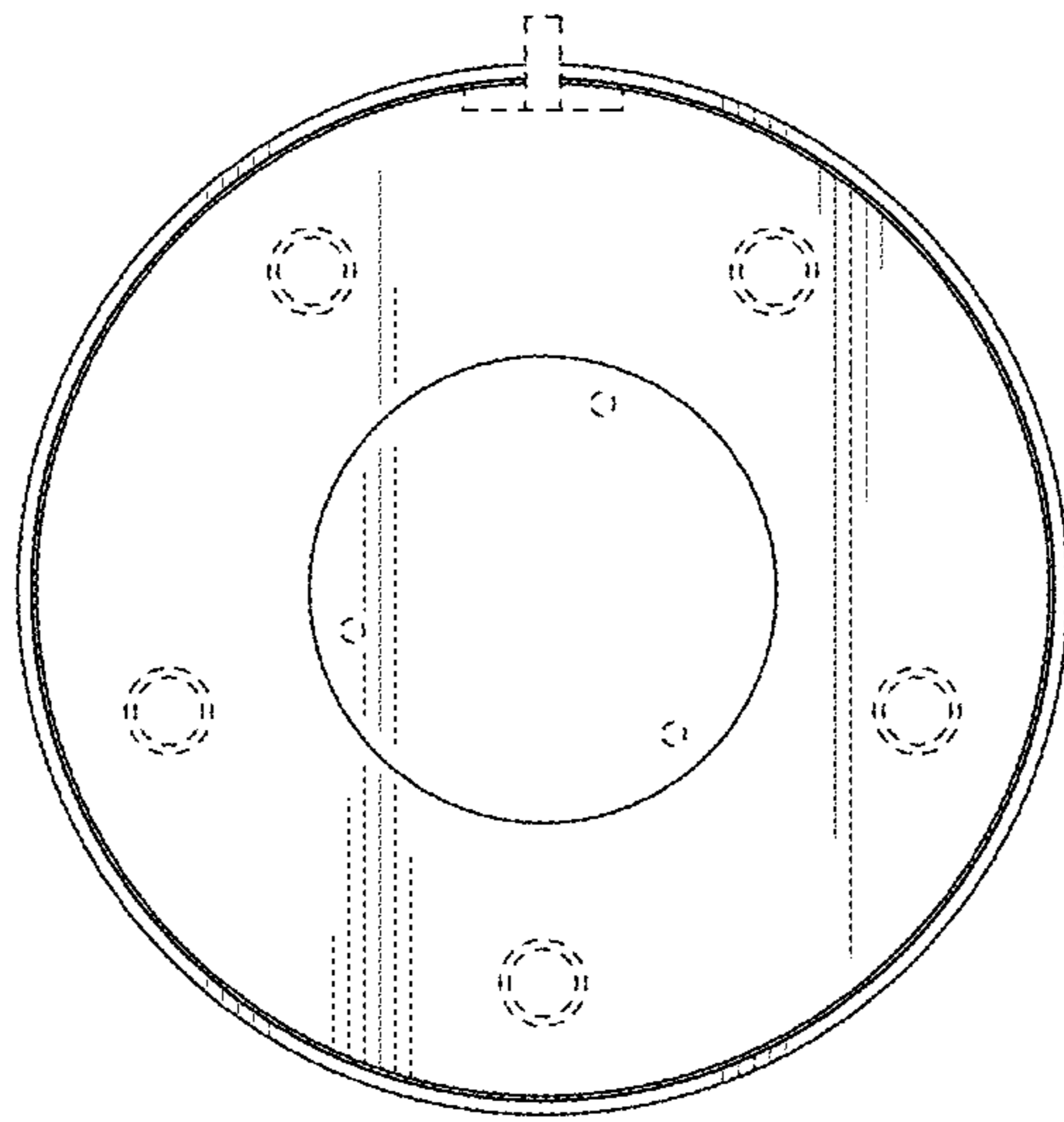


FIG. 8

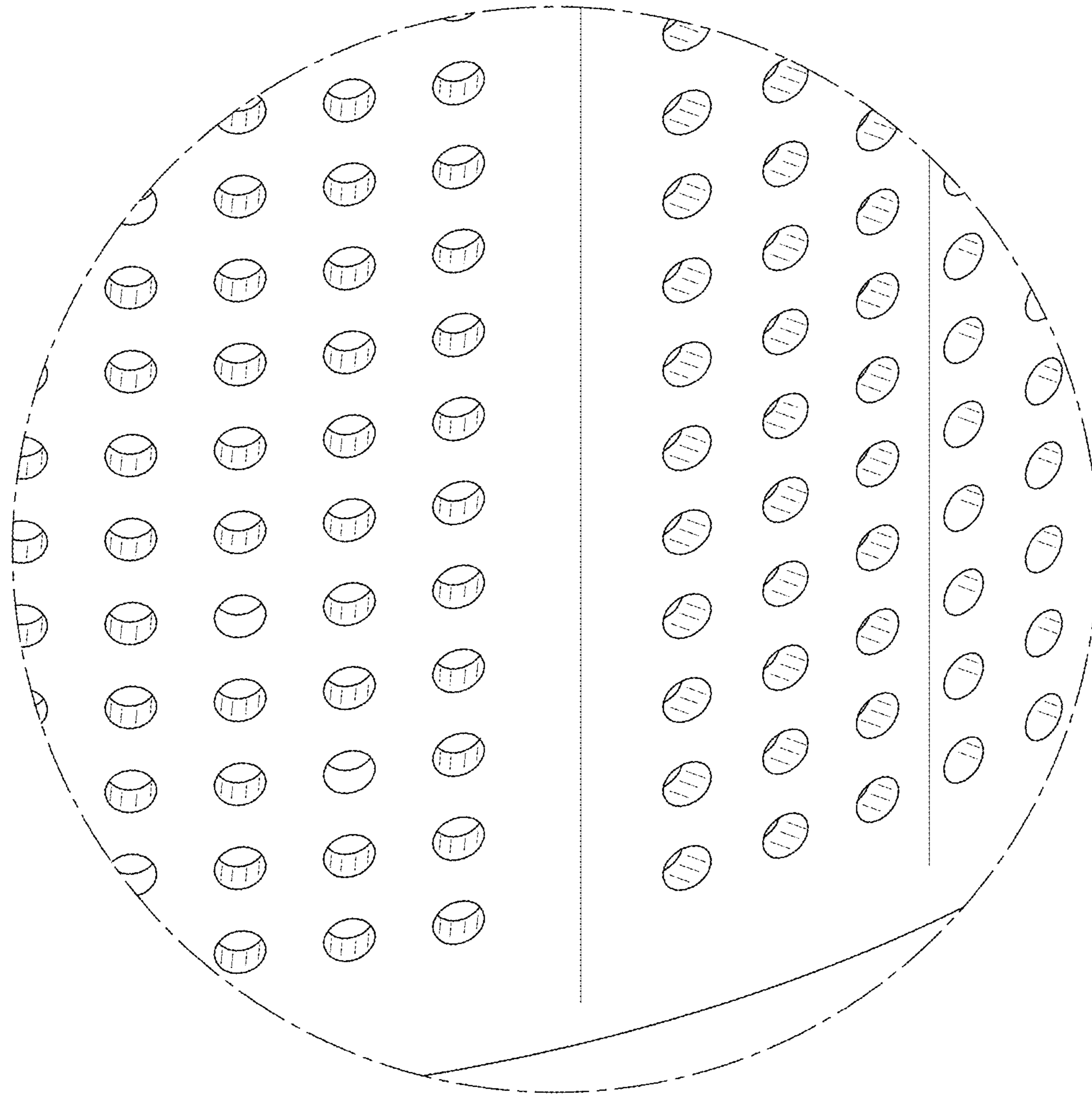


FIG. 9