



US00D942603S

(12) **United States Design Patent**
Guo et al.

(10) **Patent No.:** **US D942,603 S**
(45) **Date of Patent:** **** Feb. 1, 2022**

(54) **HUMIDIFIER**

(71) Applicant: **GUANGDONG XINBAO ELECTRICAL APPLIANCES HOLDINGS CO., LTD.**, Guangdong (CN)

(72) Inventors: **Jiangang Guo**, Foshan (CN); **Longhui Chen**, Foshan (CN); **Dinglan Yao**, Foshan (CN)

(73) Assignee: **GUANGDONG XINBAO ELECTRICAL APPLIANCES HOLDINGS CO., LTD.**

(**) Term: **15 Years**

(21) Appl. No.: **29/733,960**

(22) Filed: **May 7, 2020**

(51) **LOC (13) Cl.** **23-04**

(52) **U.S. Cl.**
USPC **D23/356**

(58) **Field of Classification Search**
USPC D23/356, 359, 364-365, 378, 499
CPC F24F 3/16; F24F 3/1405; F24F 3/1603;
F24F 13/20; F24F 13/22
See application file for complete search history.

(56) **References Cited**

U.S. PATENT DOCUMENTS

D522,118 S *	5/2006	Miro	D23/366
D561,030 S *	2/2008	Simkin	D9/519
D813,366 S *	3/2018	Tang	D23/366
D861,847 S *	10/2019	Li	D23/366
D870,258 S *	12/2019	Song	D23/366

D873,399 S *	1/2020	Nykowski	D23/364
D898,024 S *	10/2020	Lai	D14/371
D925,720 S *	7/2021	Lee	D23/366
2012/0211906 A1 *	8/2012	Kanel	A61L 9/035 261/91
2019/0041086 A1 *	2/2019	Atkins, Jr.	F24F 6/12

FOREIGN PATENT DOCUMENTS

CN 301476721 * 5/2010

OTHER PUBLICATIONS

Vicks V150SG2UPC Warm Steam Vaporizer, first available Dec. 16, 2016[online], [site visited Nov. 12, 2021]. Available from internet, URL:<<https://www.amazon.ca/dp/B01HYVLG6O>> (Year: 2016).*

* cited by examiner

Primary Examiner — Barbara Fox
Assistant Examiner — Jamaal Rasheed

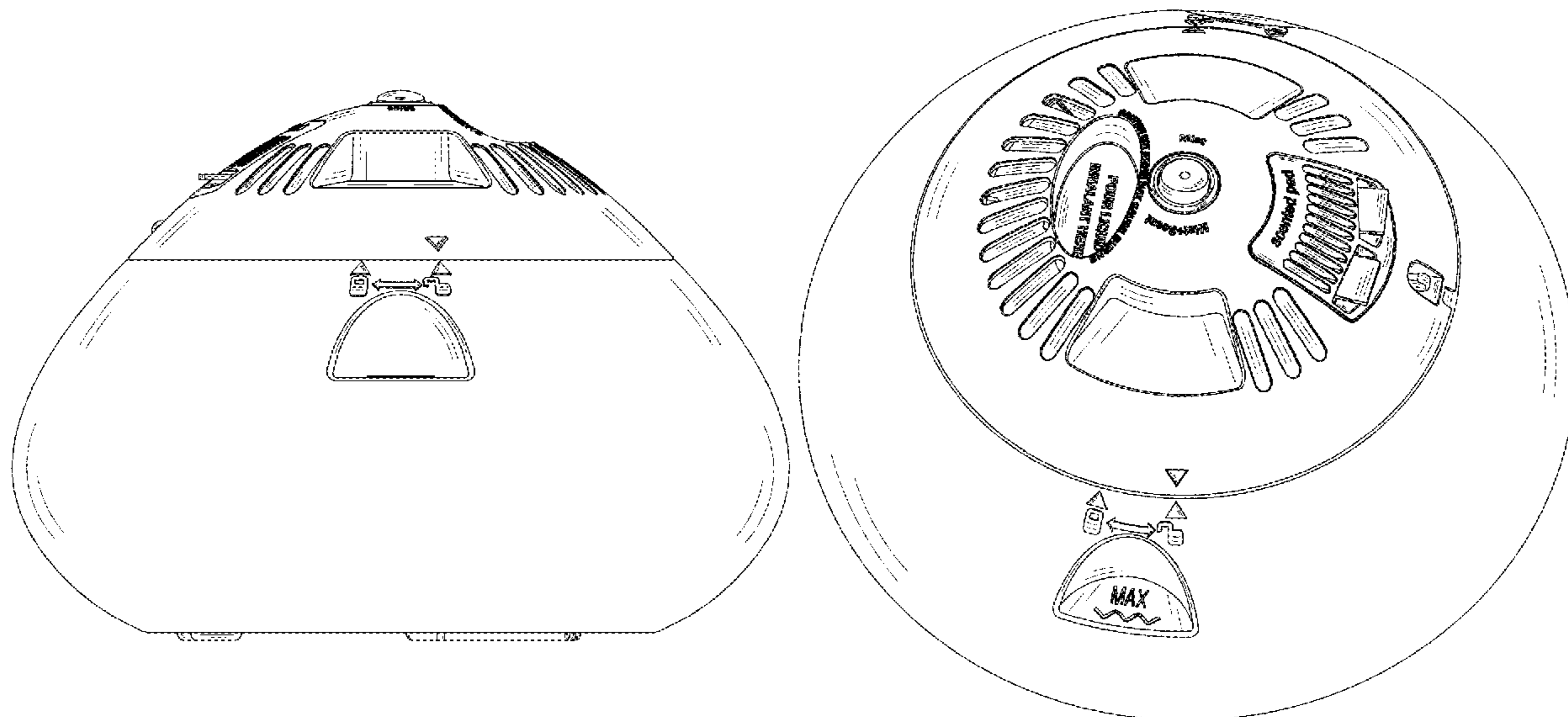
(57) **CLAIM**

The ornamental design for a humidifier, as shown and described.

DESCRIPTION

FIG. 1 is a front view of a humidifier, showing our new design;
FIG. 2 is a back view thereof;
FIG. 3 is a left side view thereof;
FIG. 4 is a right side view thereof;
FIG. 5 is a top view thereof;
FIG. 6 is a bottom view thereof; and,
FIG. 7 is a perspective view thereof, shown with the stand in extended condition.

1 Claim, 7 Drawing Sheets



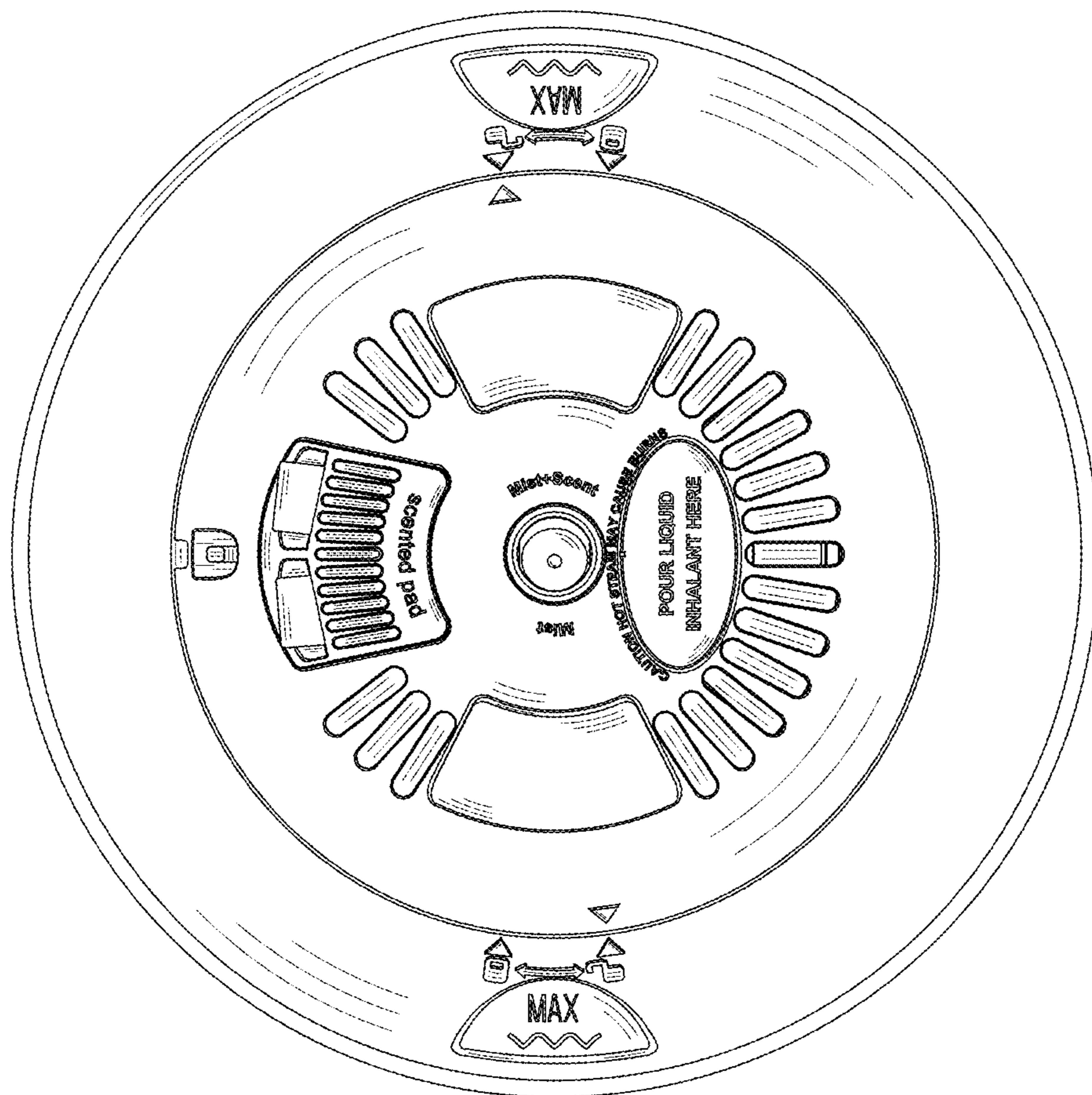


FIG. 1

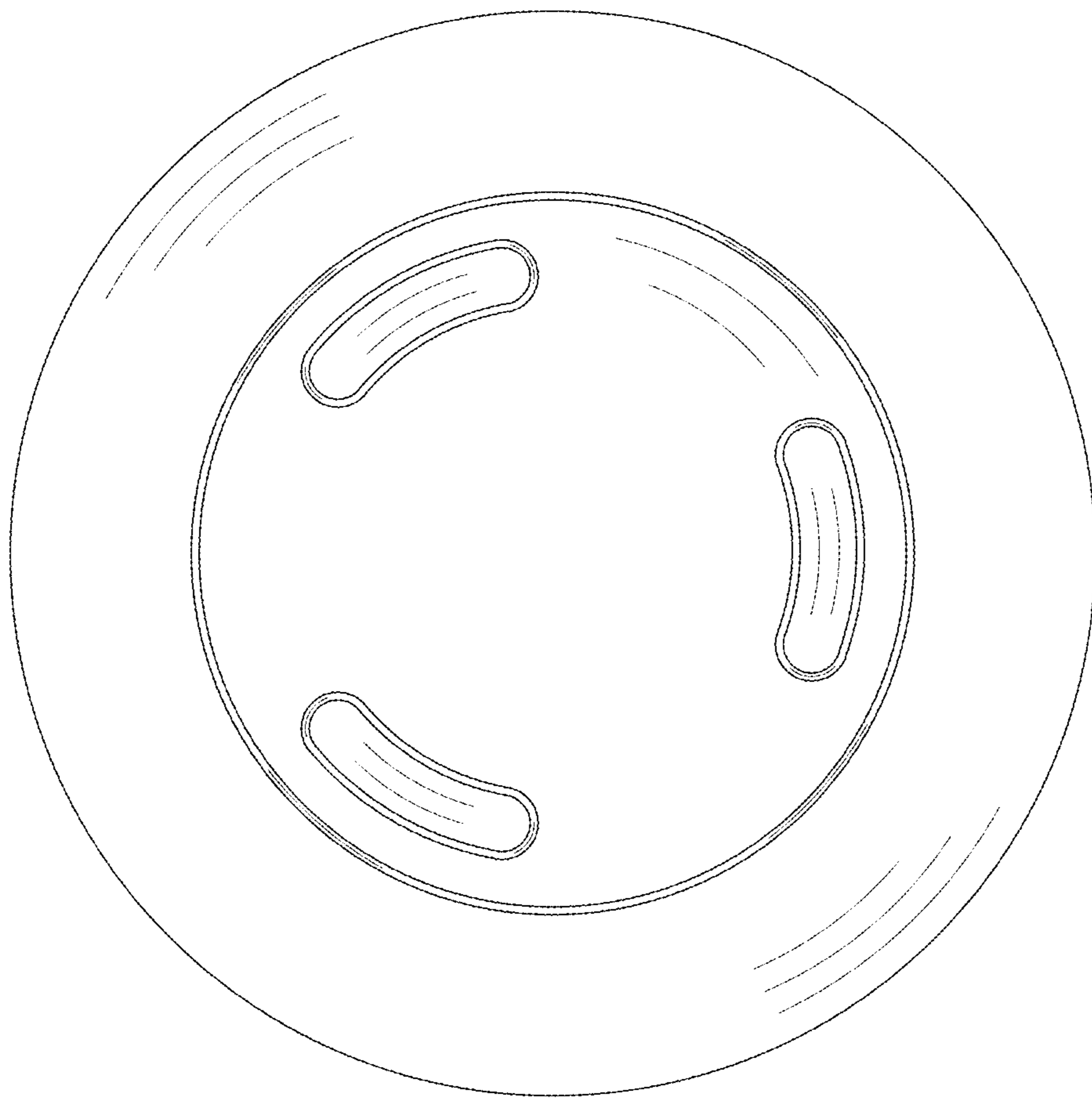


FIG. 2

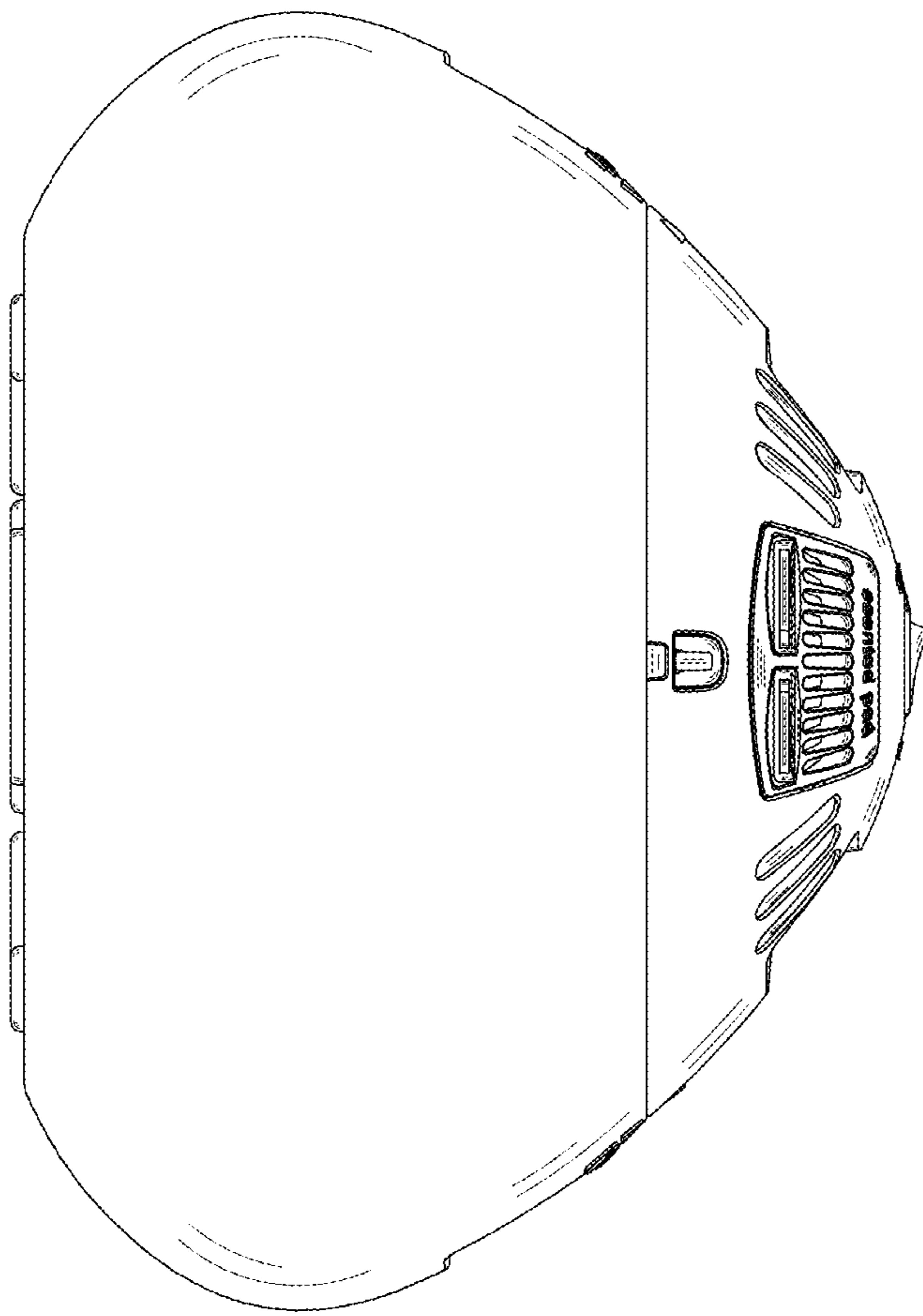


FIG. 3

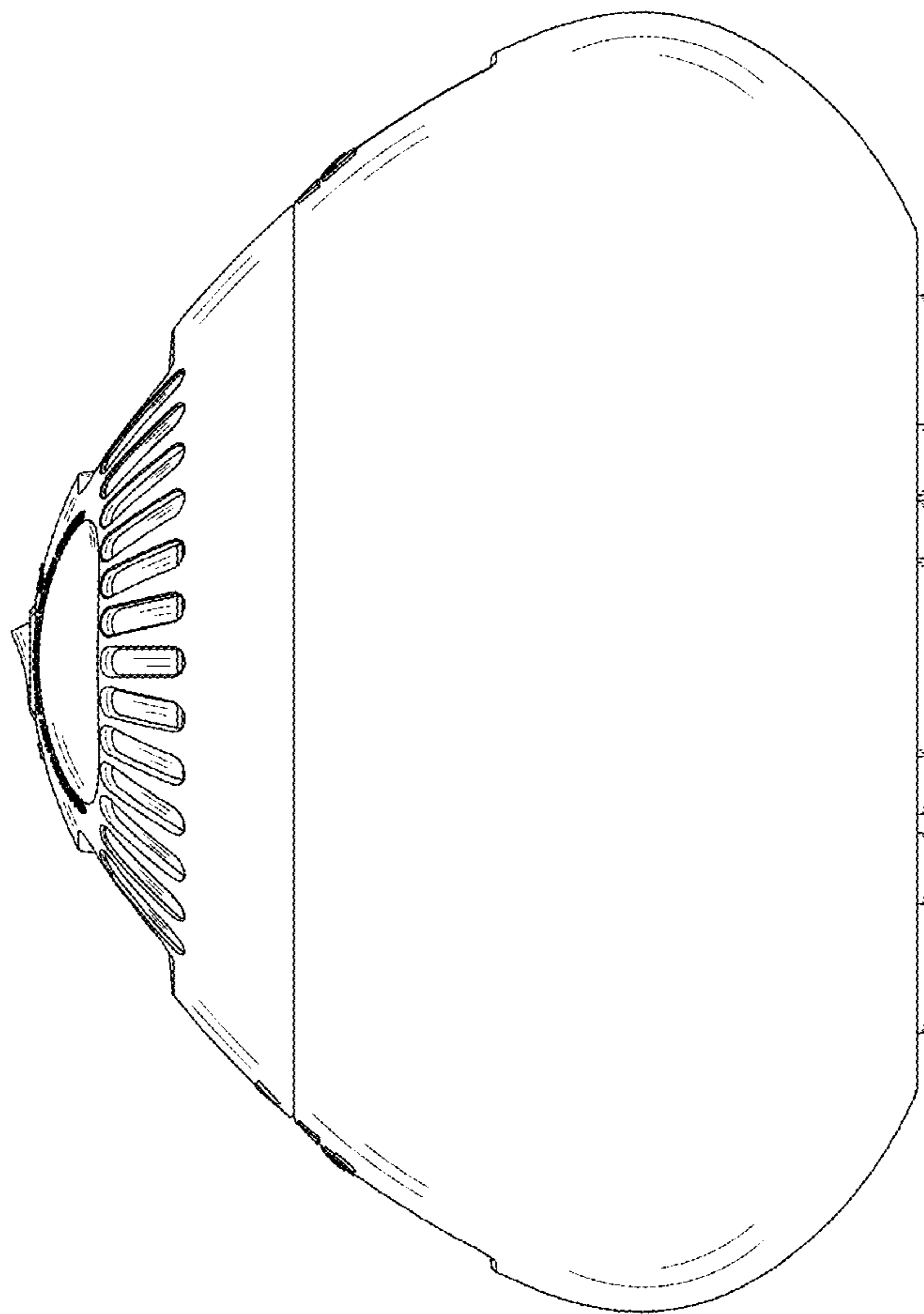


FIG. 4

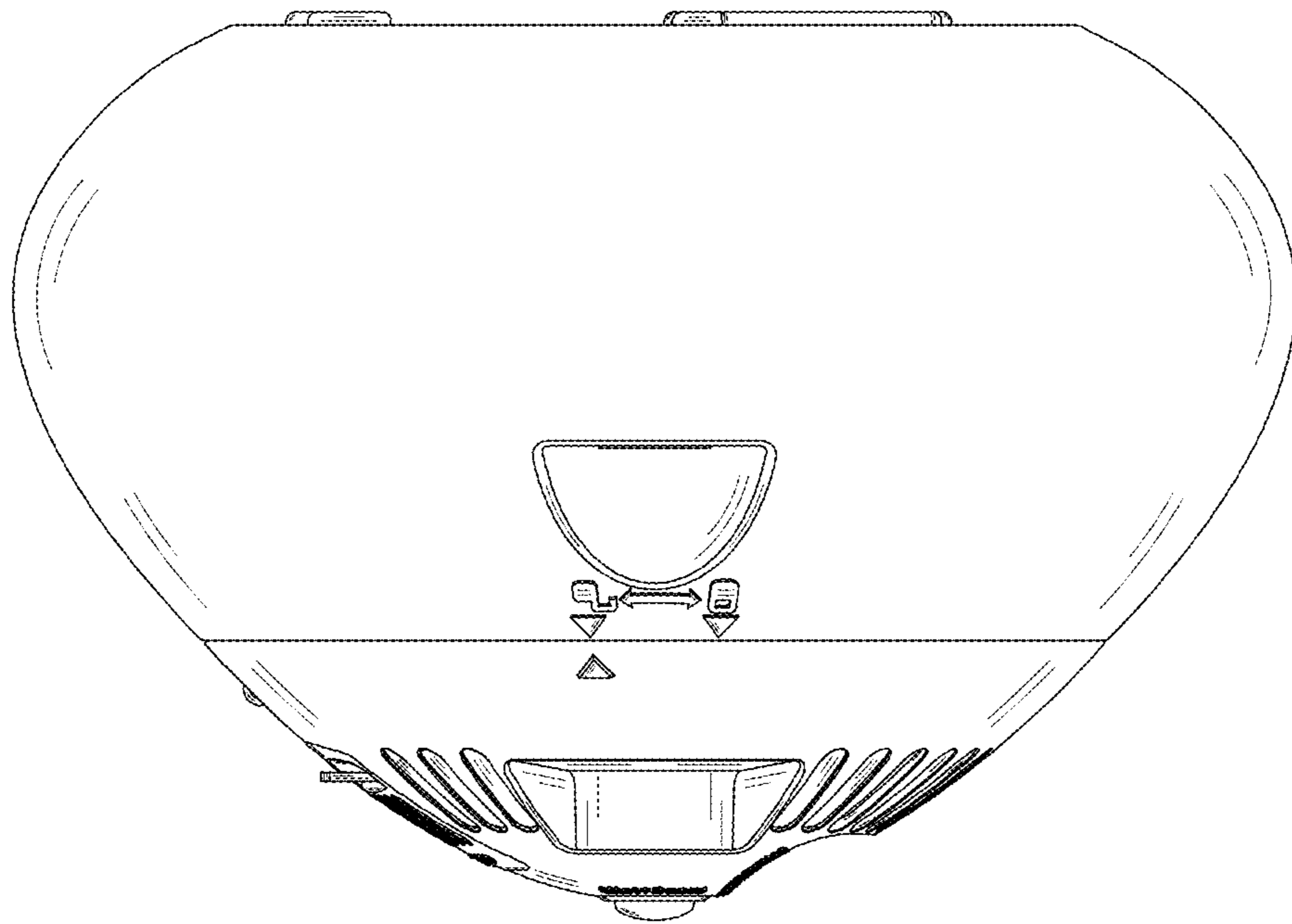


FIG. 5

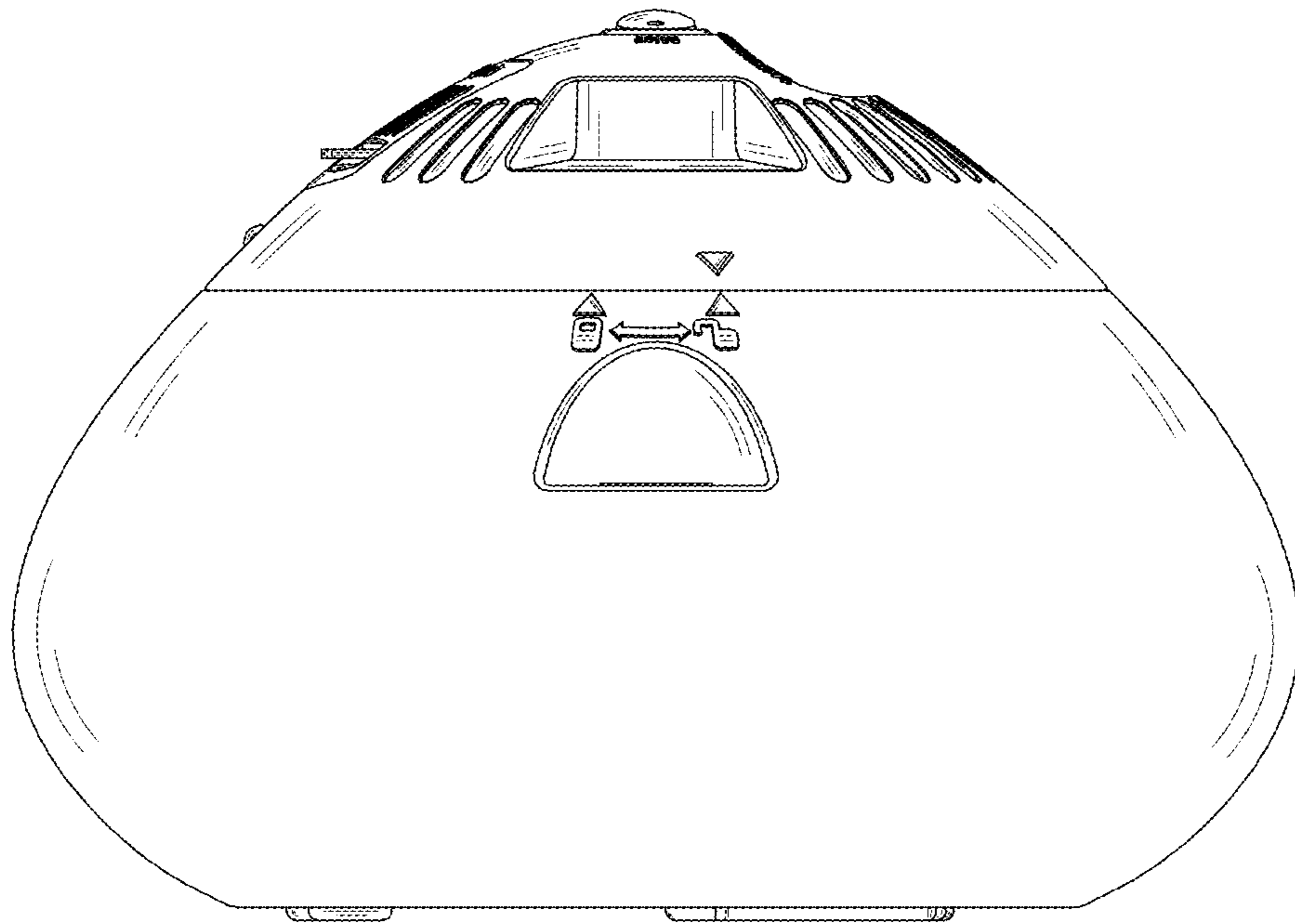


FIG. 6

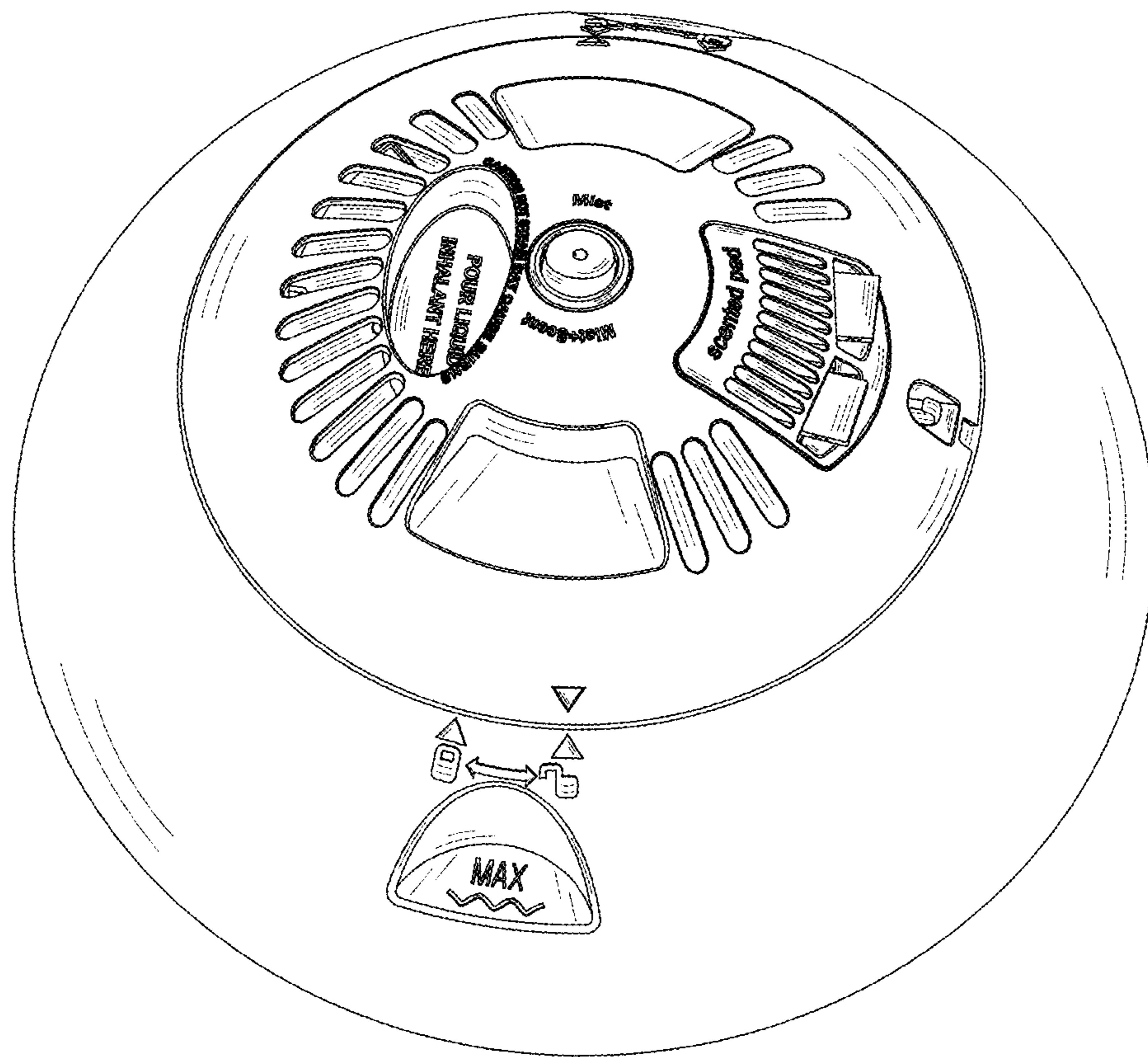


FIG. 7